



Cat[®] Material Handling Arm

Skid Steer Loaders
Multi Terrain Loaders
Compact Track Loaders
Compact Wheel Loaders
Telehandlers

The Cat[®] Material Handling Arm is a useful tool for virtually all types of applications, including industrial, construction and agricultural, to pick up, carry and load a variety of materials and equipment. The heavy-duty design is also well-suited for landscaping to load, carry and set trees and large shrubs.

Features:

Heavy-duty design

- Heavy-duty design is ideal for lifting, carrying and loading a variety of materials and equipment.

Single, multi-angled boom

- Single, multi-angled boom provides excellent view of the load.

Two lift points

- Two lift points, one at the far end of the boom and one closer to the machine mid point, offer excellent reach plus load and carry capabilities.

Two storage compartments

- Two storage compartments on the front arm provide ample room for storing chains and hooks.

Dual tie-down holes

- Dual tie-down holes provide load support during transport.

Heavy-duty locking clasp

- Heavy-duty locking clasp swivels a full 360 degrees and can be used at either lift point.

Serrated bolt-on step

- Serrated bolt-on step provides safe egress and ingress from machine cab and is replaceable if damaged.

Quick coupler

- Rugged, opposing edge design holds the work tool securely and allows the operator to quickly change from one high performance Cat Work Tool to another.

Compatibility

Model	Machines
-------	----------

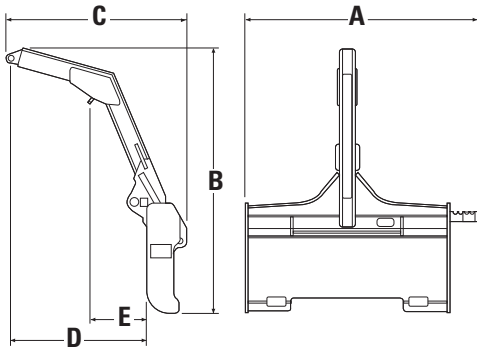
MHA	216B3, 226B3, 226D, 232D, 236D, 239D, 242D, 246D, 249D, 257D, 259D, 262D, 272D2, 272D2 XHP, 277D, 279D, 287D, 289D, 297D2, 297D2 XHP, 299D2, 299D2 XHP, 906K, 907K, 908K, 906M, 907M, 908M, TH255C
-----	--

Machine model availability and attachment vary by region. Please contact your local dealer for availability.



Cat® Material Handling Arm

Specifications

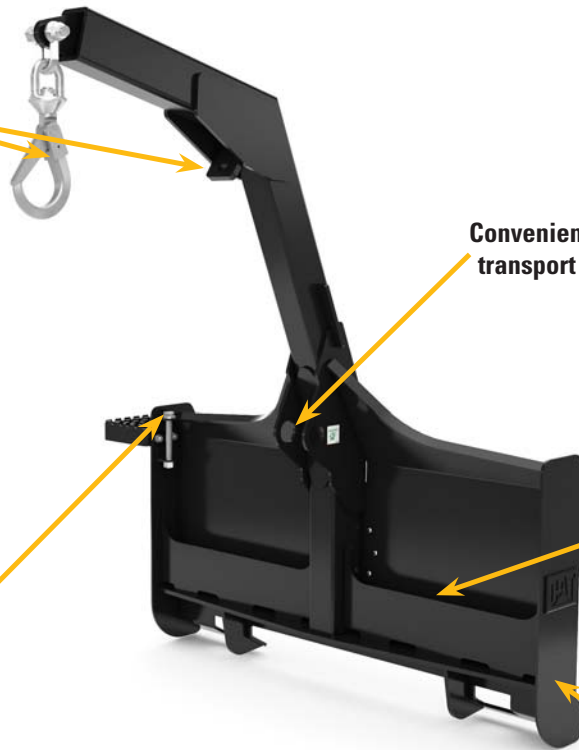


A Overall width with side step	mm (in)	1316	(52)
B Height	mm (in)	1473	(58)
C Length	mm (in)	1016	(40)
D Load length (end point)	mm (in)	768	(30)
E Load length (mid lift point)	mm (in)	311	(12)
Rated structural capacity*	kg (lb)	907	(2,000)
Maximum reach (horizontal)**	mm (in)	2134	(84)
Weight	kg (lb)	127	(280)

* Rated structural capacity is the maximum load that can be carried by the work tool and does not imply that the specific host machine has the tipping capacity to lift the load. Refer to the Caterpillar Skid Steer Loader Operation and Maintenance Manual (OMM) for Caterpillar Skid Steer Loader rated operating capacity with Material Handling Arm.

** Maximum horizontal reach is measured from the front tire with the loader arms approximately 1.5 m (5 ft) off the ground and work tool tilted forward approximately 68° at the end lift point. Maximum reach varies by model. Refer to the individual machine OMM for maximum value.

Full 360 degree rotation clasp can be mounted in two locations for reach or maximum lift



Available bolt to lock into SSL/MTL/CTL lift arm to eliminate tilt of machine

For more complete information on Cat products, dealer services, and industry solutions, visit us on the web at www.cat.com

© 2017 Caterpillar
All rights reserved

Materials and specifications are subject to change without notice. Featured machines in photos may include additional equipment. See your Cat dealer for available options.

CAT, CATERPILLAR, SAFETY.CAT.COM, their respective logos, "Caterpillar Yellow" and the "Power Edge" trade dress, as well as corporate and product identity used herein, are trademarks of Caterpillar and may not be used without permission.

AEHQ5832-03 (12-17)
Replaces AEHQ5832-02

