



# Cat<sup>®</sup> Cold Planer

## Backhoe Loaders

Cat<sup>®</sup> Cold Planers are designed for small paving jobs in residential and commercial applications, and are primarily used to economically restore asphalt and concrete surfaces. They are ideal for milling imperfections prior to resurfacing, removing deteriorated pavement, removing traffic lane stripes and jobs where the use of dedicated planers is limited.

### Self-Leveling Design

- Self-leveling design automatically levels itself when placed on surface for consistent depth control.

### Manual Depth Control

- Manual depth control allows the operator to plane up to 5 inches.

### Direct Drive Motor

- Direct drive motor features a variable speed, unidirectional, gerotor style hydraulic motor for optimum speed and torque.

### Rotation

- 130 degrees of rotation offers smooth, unrestricted performance.

### Cat XT<sup>™</sup> Hose, Couplings, and O-Ring Face Seals

- Cat XT hose, couplings, and o-ring face seals provide superior, leak-free performance and reliability. Hydraulic quick disconnects enable fast tool changes.

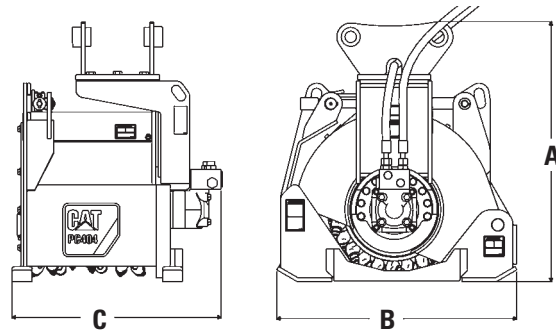
## Compatibility

Model	Machines
-------	----------

PC404	416E, 420E, 430E
-------	------------------

# Cat Cold Planer

## Specifications



**PC404**

Weight	kg (lb)	680 (1,500)
Height	mm (in)	1030 (40.5)
Length	mm (in)	950 (37.5)
Overall Width	mm (in)	828 (32.5)
Drum Width	mm (in)	450 (18)
Rotation		130°
Maximum Depth of Cut	mm (in)	125 (5)
Required Hydraulic Flow Range	L/min (gpm)	80-160 (21-42)
Optimal Hydraulic Pressure Range	bar (psi)	160-240 (2,320-3,480)
Conical Bits		48
Standard Bit Type		Asphalt/Concrete

For more complete information on Cat products, dealer services, and industry solutions, visit us on the web at [www.cat.com](http://www.cat.com)

AEHQ5929 (12-07)

© 2007 Caterpillar  
All Rights Reserved  
Printed in U.S.A.

Replaces AEHQ5410-02

Materials and specifications are subject to change without notice. Featured machines in photos may include additional equipment. See your Caterpillar dealer for available options.

CAT, CATERPILLAR, their respective logos, "Caterpillar Yellow," and the POWER EDGE trade dress, as well as corporate and product identity used herein, are trademarks of Caterpillar and may not be used without permission.

**CATERPILLAR®**