

# Cat<sup>®</sup> Thumbs

311–349 HYDRAULIC EXCAVATORS

## PRO SERIES



## UTILITY



## STIFF LINK

### Extend the Capability of Your Excavator

- Equipping your excavator with a thumb upgrades the performance of your bucket-equipped machine from digging to material handling.
- Thumb and bucket work together to grab, pick and sort a variety of materials. The thumb can work with the bucket to help retain and move the load. When not in use, the thumb folds back against the stick and out of the way.
- Thumbs are well-suited for use in a variety of industries and tasks opening up possibilities in site preparation and clean-up work, land clearing, forestry, and light structure demolition.

### Manual and Hydraulic Styles to Suit Your Needs

- Pro Series Hydraulic Thumbs allow precise load control. They are well-suited for day-in and day-out use handling larger, longer items.
- Utility Hydraulic Thumbs are utilitarian in design. This style is perfect for the excavator that could benefit from a thumb for handling smaller size and lighter weight material on an occasional basis. They are best suited for the machine that does not handle material all day long.
- Stiff Link Thumbs are manual position thumbs for the operator who does not need to re-position the thumb a lot, but does need a thumb to help handle or move all sorts of different things. Just one person can position and deploy the thumb by utilizing the bucket curl to assist.

### Count on Solutions & Service

- Which thumb is the right choice? Consider how frequently you will be using your thumb and the type and size of material you will be handling. Your Cat<sup>®</sup> dealer can provide recommendations to fit your fleet and job requirements.
- As with all Cat equipment, you can expect complete customer care and service through the life of your thumb. Customer support plans are available to cover the machine and extend all the way out to the attachment to help protect your investment.



Americas North



# Cat Thumbs

## Pro Series Hydraulic

### All Day Long Productivity

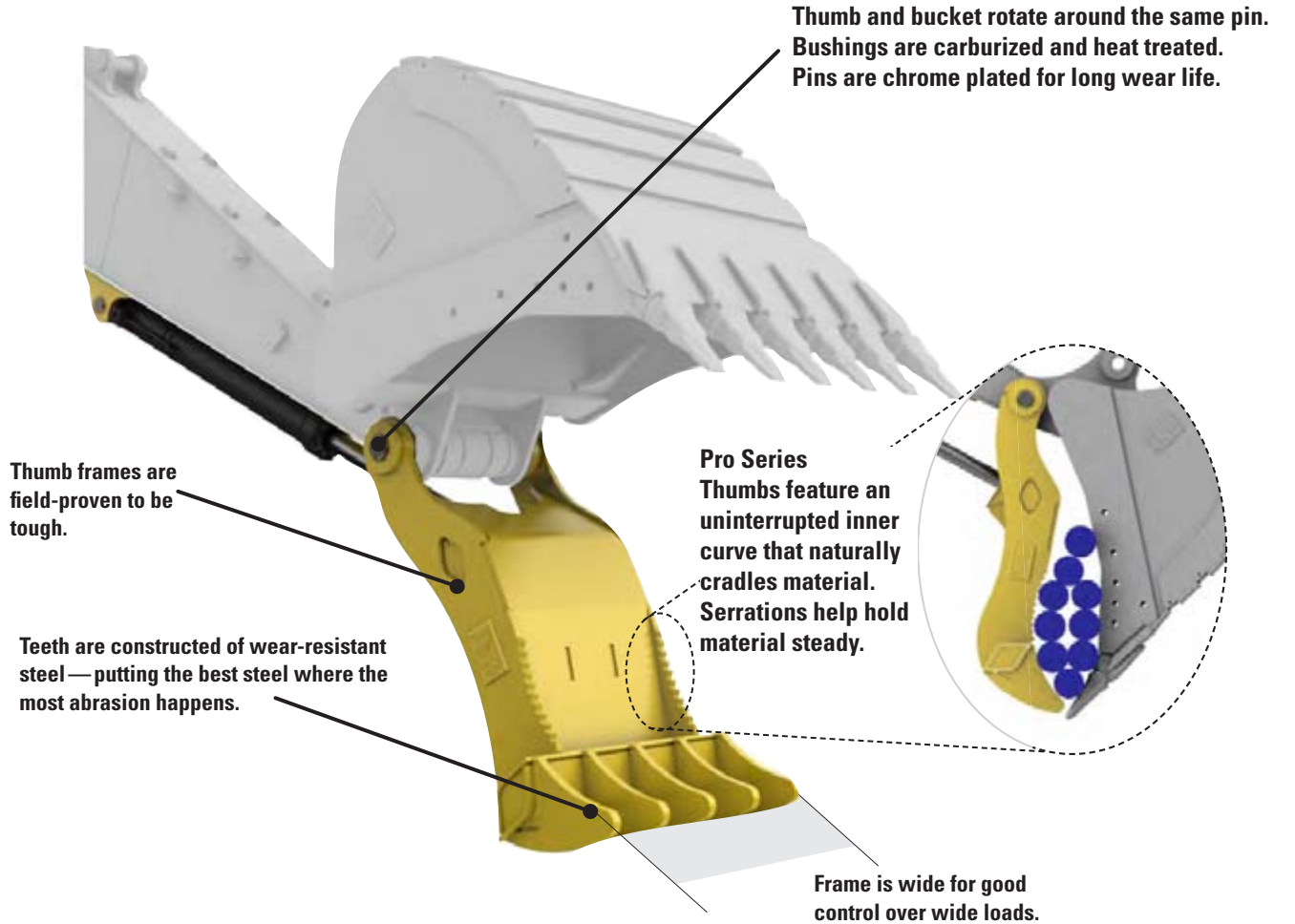
Pro Series Thumbs were designed to work for you all day long — day after day — and are the thumbs to choose when you need to add heavy duty material handling to your abilities. The wide frame controls larger and longer loads while chrome plated pins and wear resistant steel assure your thumb will last.

Ball valves help keep the thumb retracted against the stick when not in use, assuring it stays out of the way and allowing you to focus on the job at hand.

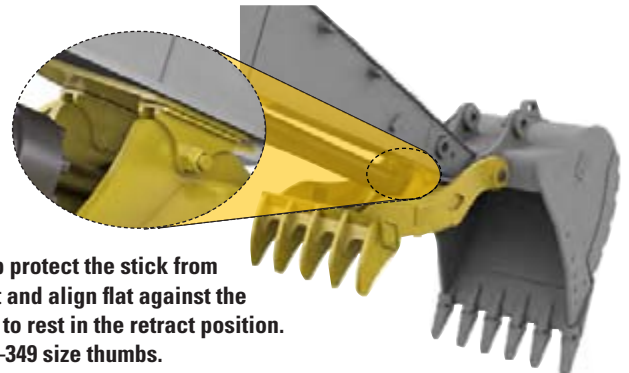
### Best Load Control

Engineered specifically to work with Cat excavators, buckets and couplers, Pro Series Hydraulic Thumbs offer the highest level of load control in a Cat thumb. Since they mount on the bucket pin, teeth mesh with the bucket tips and move along the same arc as the bucket edge providing solid grip and precise control.

Serrated thumb profile cradles and secures material against the bucket — holding material steady.



**Thumb and bucket teeth mesh providing closure and positive hold on loose material.**



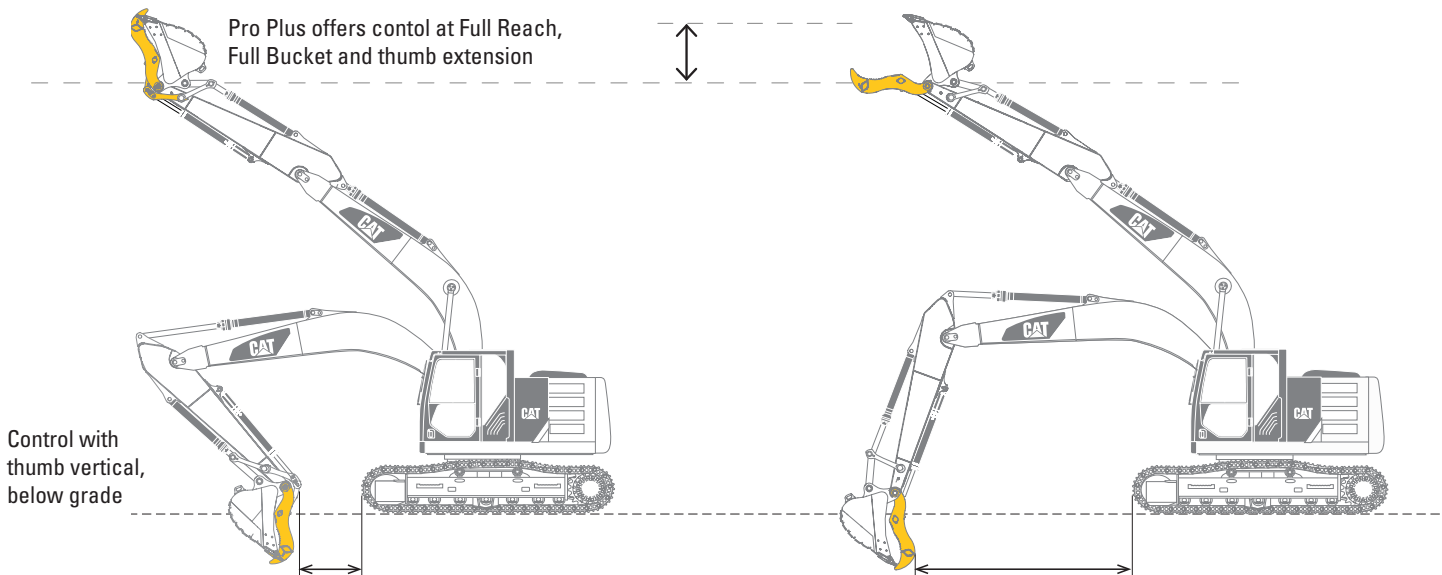
## Pro Series Hydraulic

### Two Performance Choices: Pro Plus or Pro

Pro Plus and Pro are both well-suited for high production operation. The difference between them is how far they rotate, or follow the bucket. Load control differs at the extremes of the machine's working range. Pro Plus thumbs secure the load higher in an elevated position, and in tighter to the machine when working below grade. This extra range allows the operator to control the load when the machine is at full reach and bucket is retracted fully back.

An example of when you will see performance gains from using a Pro Plus thumb is when loading high-sided trucks. The thumb secures the load against the bucket higher, and longer than the Pro thumb.

Bottom line: You get more bucket coverage with Pro Plus.



Scan or click to see Cat Pro Series Thumbs in action!

# Cat Thumbs

## Pro Series Hydraulic

### Pro Plus

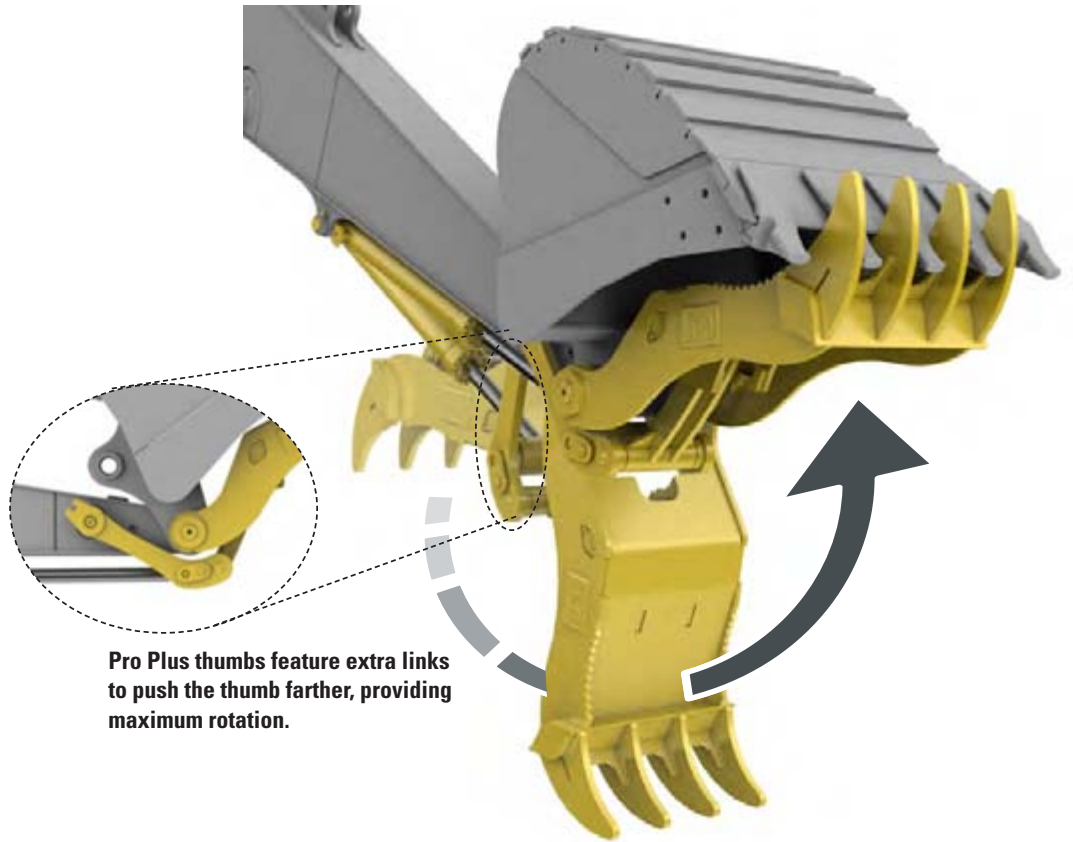
Ideal for every day use — all day long.

Covers **100%** of the bucket's rotation.

Add load control at the extremes of the machine and bucket working ranges.

Stay vertical and with the bucket when working at or below grade and close to the machine in tighter work areas.

Building high rock walls and loading high-sided trucks are examples of when load control at height is helpful.



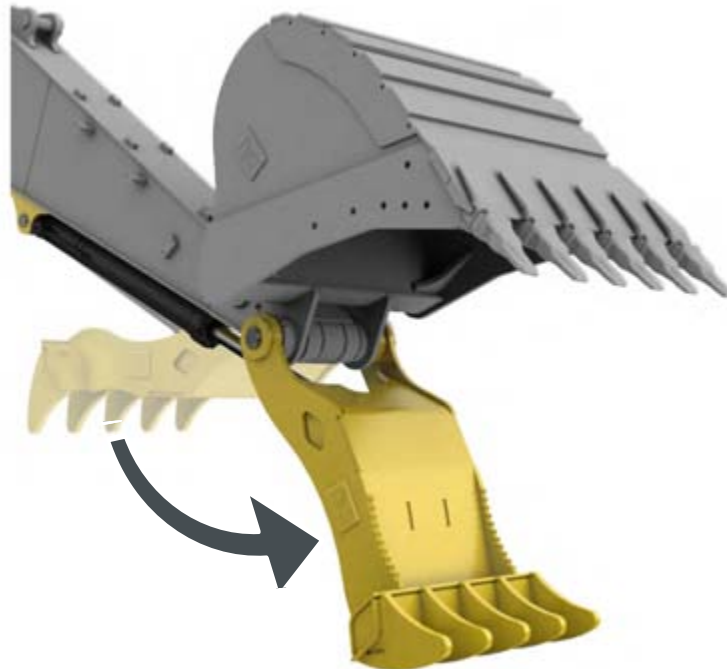
**Pro Plus thumbs feature extra links to push the thumb farther, providing maximum rotation.**

### Pro

Ideal for every day use — all day long.

Covers up to **70%** of the bucket's rotation.

Load control through the majority of the machine and bucket working range.



## Utility Hydraulic

### Versatile

Utility hydraulic thumbs stick-mount to 311-329 and M313-M322 Cat and comparable size excavators.

Utility thumbs are universal in that they work well with most all buckets and couplers. They are well-suited for fleets with a mix of machines and bucket and coupler combinations.

### Narrow & Light Weight

The thumb is narrow in width which keeps weight to a minimum, and allows for greater lift capacity.

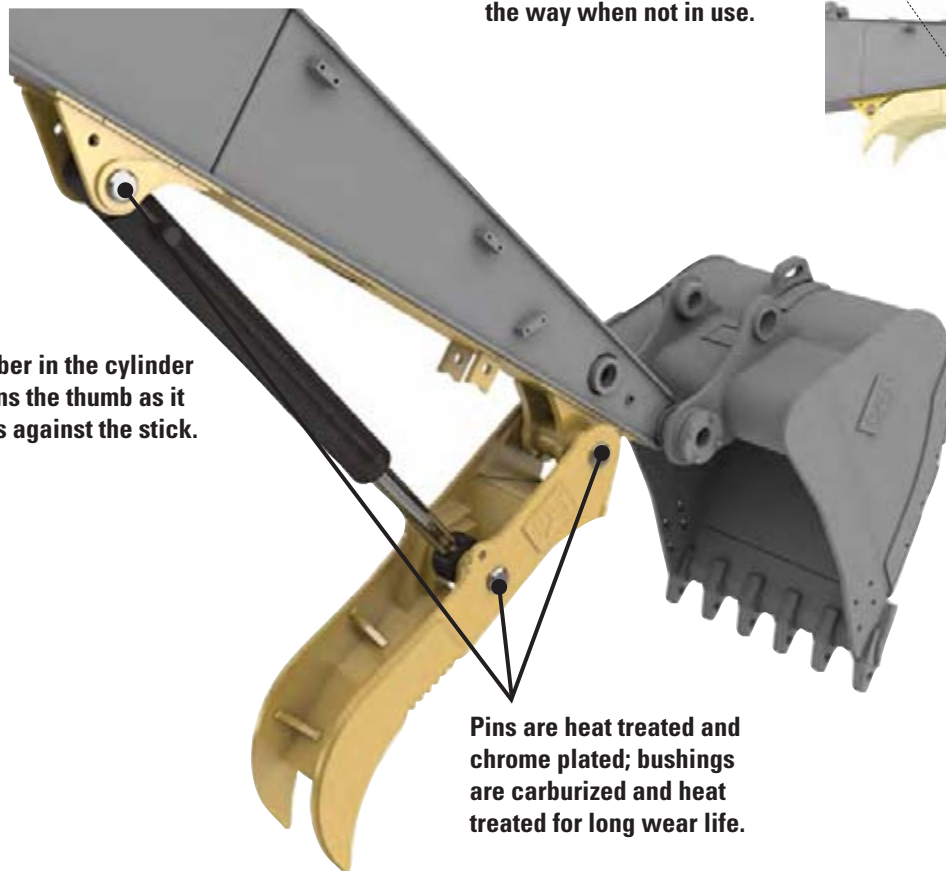
Because the thumb is narrow, operator has good visibility to the task.

### Easy Installation

Utility thumb bracket is narrower than the excavator stick for easy weld-on installation.

### Easy to Transport

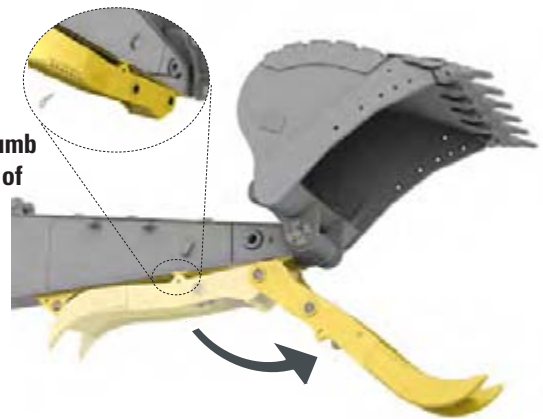
The thumb tucks and stores tightly against the stick when not in use keeping it up and out of the way, and easy to transport.



**A snubber in the cylinder cushions the thumb as it retracts against the stick.**

**Manual lock and pin keeps thumb back against the stick and out of the way when not in use.**

**Pins are heat treated and chrome plated; bushings are carburized and heat treated for long wear life.**



**Mounting bracket is narrow for a nice fit on the stick, making it easy to weld on.**



## Utility

Ideal for occasional use.

Narrow for good visibility.

Light weight and stick-mounted.



Scan or click to see Cat Utility Thumbs in action!

# Cat Thumbs

## Stiff Link

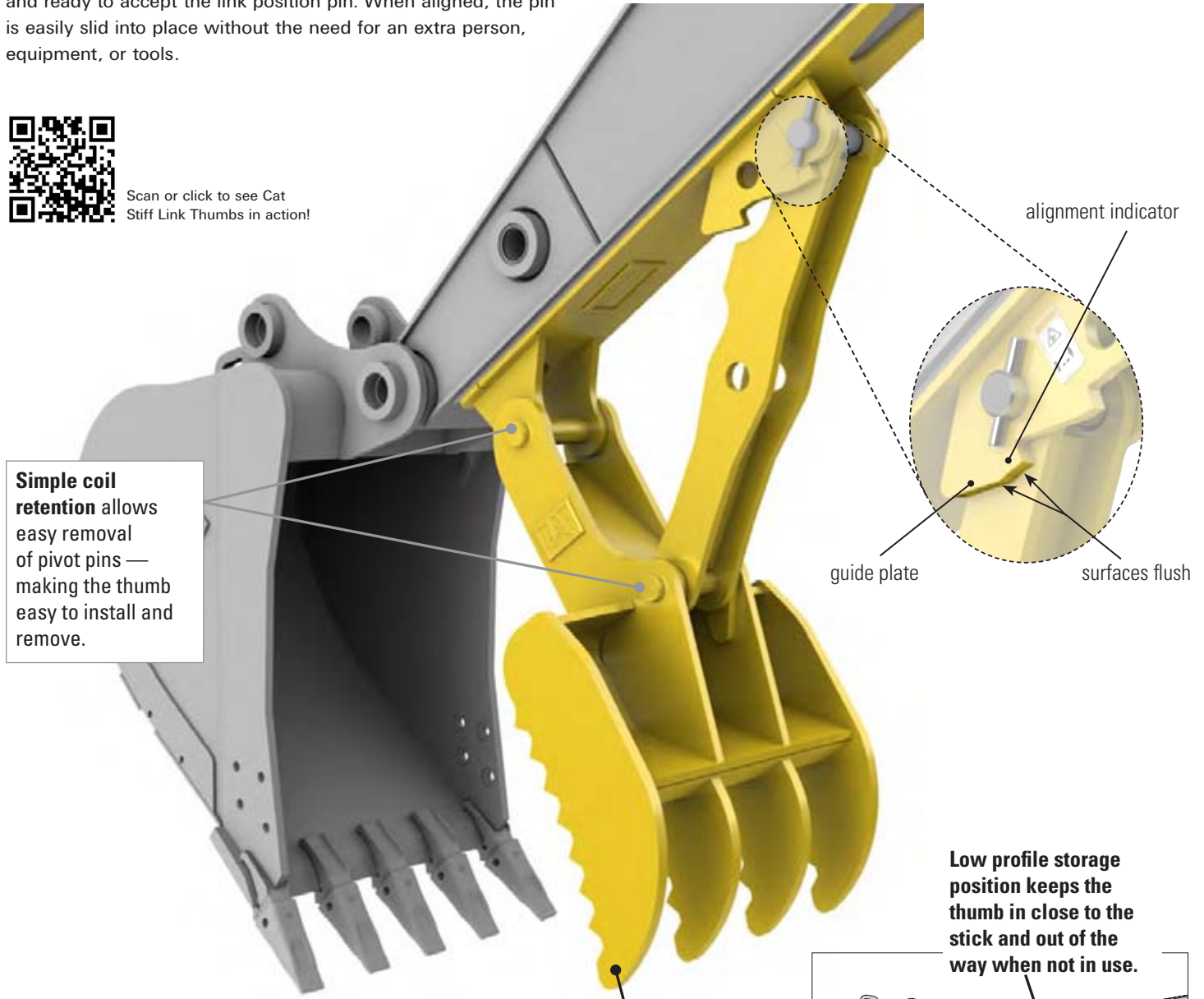
### One Person Deploy & Store

You can deploy or store the Cat Stiff Link Thumb with no tools or assistance using just the machine. A patent-pending alignment system gives you visual cues when the pin holes are aligned and ready to accept the link position pin. When aligned, the pin is easily slid into place without the need for an extra person, equipment, or tools.

A rigid link keeps the thumb in place when working. They are wide and durable, making them a good choice for tree and stump handling and land clearing.



Scan or click to see Cat Stiff Link Thumbs in action!

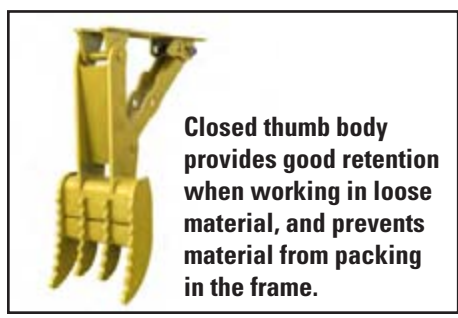
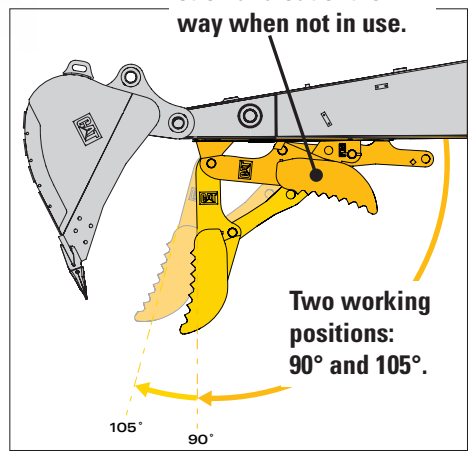


**Simple coil retention** allows easy removal of pivot pins — making the thumb easy to install and remove.

alignment indicator  
guide plate  
surfaces flush

T1 steel teeth resist bending and wear.

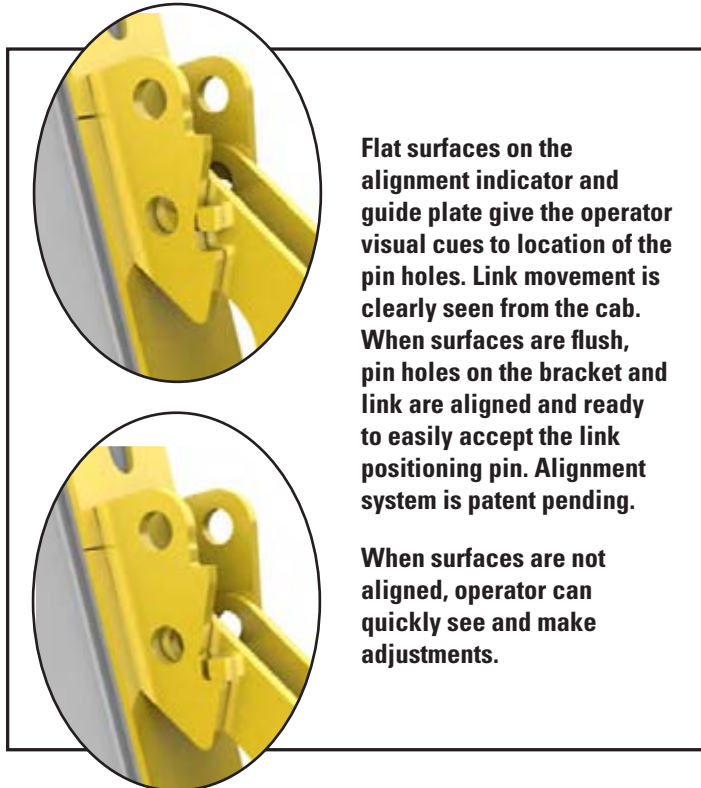
Low profile storage position keeps the thumb in close to the stick and out of the way when not in use.



## Stiff Link

### Positions Easily

There's no need for extra assistance when positioning a Cat Stiff Link Thumb. Bucket curling motion is all that's needed to move the thumb into one of two static working positions, or store it back against the stick when not being used.



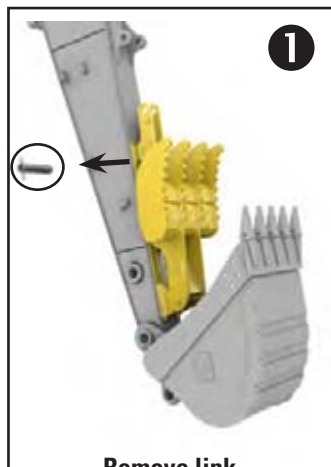
### Material Handling Solution for Your Excavator

Stiff Link Thumbs are available for Cat new and previous series excavators sized 311-349. They are well-suited with a wide variety of bucket styles and widths.

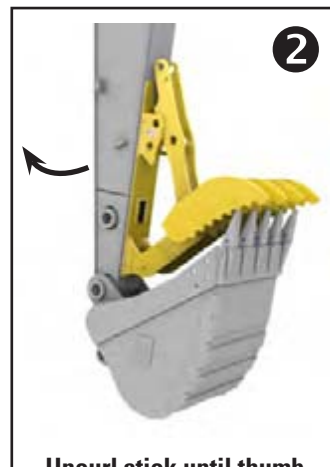


**To position for use**, the alignment indicator slides over the guide plate and drops into one of two notches. The operator can see from the cab when surfaces are flush, indicating pin holes are aligned and ready to easily accept the link positioning pin.

**To store the thumb**, steps are repeated in reverse. Once folded back against the stick—pin holes are perfectly aligned and easily accept the link positioning pin.



Remove link positioning pin.



Uncurl stick until thumb falls against bucket.



Uncurl bucket until indicator shows pin holes are aligned.



Replace link positioning pin.

# Cat Thumbs

For more complete information on Cat products, dealer services, and industry solutions, visit us on the web at [www.cat.com](http://www.cat.com)

GEHQ0202-02 (06-14)

©2014 Caterpillar  
All Rights Reserved

Materials and specifications are subject to change without notice. Featured machines in photos may include additional equipment. See your Cat dealer for available options.

CAT, CATERPILLAR, their respective logos, "Caterpillar Yellow," and the POWER EDGE trade dress, as well as corporate and product identity used herein, are trademarks of Caterpillar and may not be used without permission.

