

Cat[®] PF6

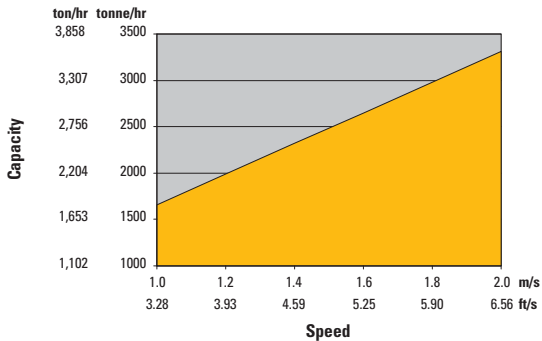
FACE CONVEYOR LINE PAN

Specifications

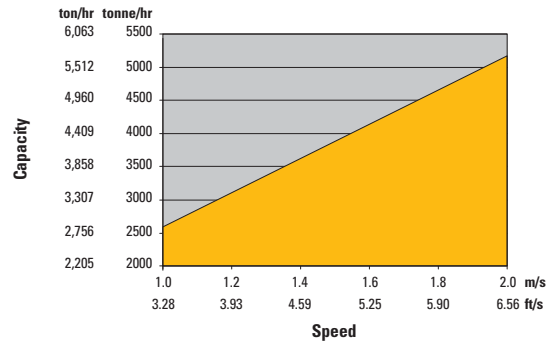
Technical Data

Line Pan Width			Dogbone Housing FoS	1.5 times	
PF6/1042	1042 mm	41.02 in	Shear Strength	> 6000 kN	> 674.42 tonf
PF6/1142	1142 mm	44.96 in	Vertical Articulation	up to ± 6°	
PF6/1242	1242 mm	48.90 in	Horizontal Articulation	0.8°-1.2°	
PF6/1342	1342 mm	52.83 in	Chain Strands	DKB 42×146	
Flightbar Width				DKB 48×160/144	
PF6/1042	888 mm	34.96 in	Conveying Capacity		
PF6/1142	988 mm	38.89 in	PF6/1042	approx. 0.58 m ²	approx. 6.24 ft ²
PF6/1242	1088 mm	42.83 in	PF6/1142	approx. 0.58 m ²	approx. 6.24 ft ²
PF6/1342	1188 mm	46.77 in	PF6/1242	approx. 0.72 m ²	approx. 7.75 ft ²
Deck Plate Thickness	30 plus 25 mm	1.18 plus 0.98 in	PF6/1342	approx. 0.85 m ²	approx. 9.15 ft ²
Profile Height	350 mm	13.77 in			
Bottom Plate Thickness	30 mm	1.18 in			
Dogbone Breaking Strength	4500 kN	505.82 tonf			

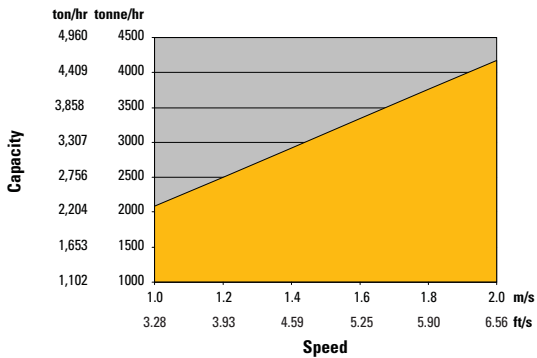
PF6/1042



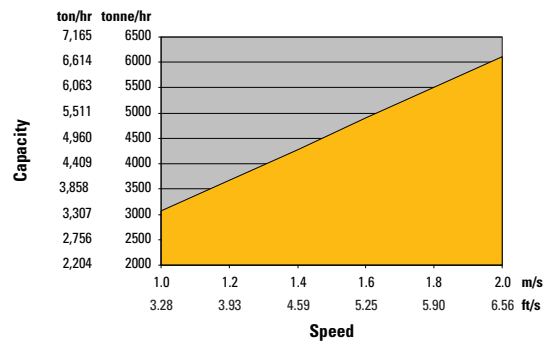
PF6/1242



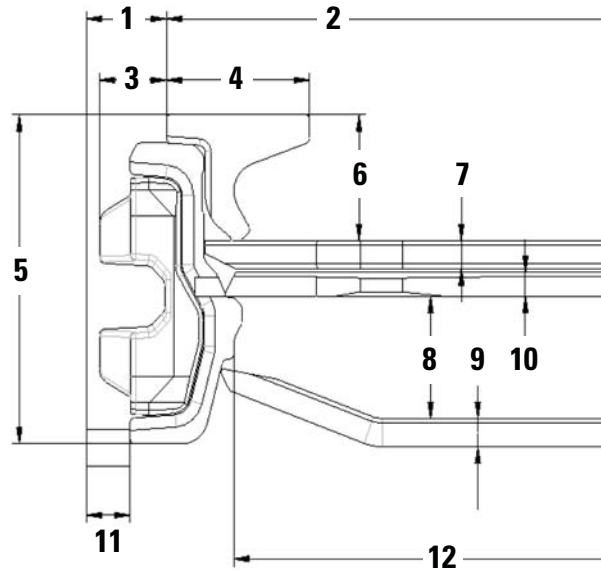
PF6/1142



PF6/1342



PF6 Face Conveyor Line Pan



Dimensions (All dimensions are approximate.)

	PF6/1042		PF6/1142		PF6/1242		PF6/1342	
1	92 mm	3.62 in	92 mm	3.62 in	92 mm	3.62 in	92 mm	3.62 in
2	1042 mm	41.02 in	1142 mm	44.96 in	1242 mm	48.90 in	1342 mm	52.83 in
3	77 mm	3.03 in	77 mm	3.03 in	77 mm	3.03 in	77 mm	3.03 in
4	164 mm	6.45 in	164 mm	6.45 in	164 mm	6.45 in	164 mm	6.45 in
5	350 mm	13.77 in	350 mm	13.77 in	350 mm	13.77 in	350 mm	13.77 in
6	134 mm	5.27 in	134 mm	5.27 in	134 mm	5.27 in	134 mm	5.27 in
7	30 mm	1.18 in	30 mm	1.18 in	30 mm	1.18 in	30 mm	1.18 in
8	130 mm	5.11 in	130 mm	5.11 in	130 mm	5.11 in	130 mm	5.11 in
9	30 mm	1.18 in	30 mm	1.18 in	30 mm	1.18 in	30 mm	1.18 in
10	25 mm	0.98 in	25 mm	0.98 in	25 mm	0.98 in	25 mm	0.98 in
11	50 mm	1.96 in	50 mm	1.96 in	50 mm	1.96 in	50 mm	1.96 in
12	888 mm	34.96 in	988 mm	38.89 in	1088 mm	42.83 in	1188 mm	46.77 in

For more complete information on Cat® products, dealer services, and industry solutions, visit us on the web at www.cat.com

AEHQ6953 (08-13)

© 2013 Caterpillar Inc.
All Rights Reserved
Printed in U.S.A.

Materials and specifications are subject to change without notice. Featured machines in photos may include additional equipment. See your Cat dealer for available options.

CAT, CATERPILLAR, SAFETY.CAT.COM, their respective logos, "Caterpillar Yellow" and the "Power Edge" trade dress, as well as corporate and product identity used herein, are trademarks of Caterpillar and may not be used without permission.

