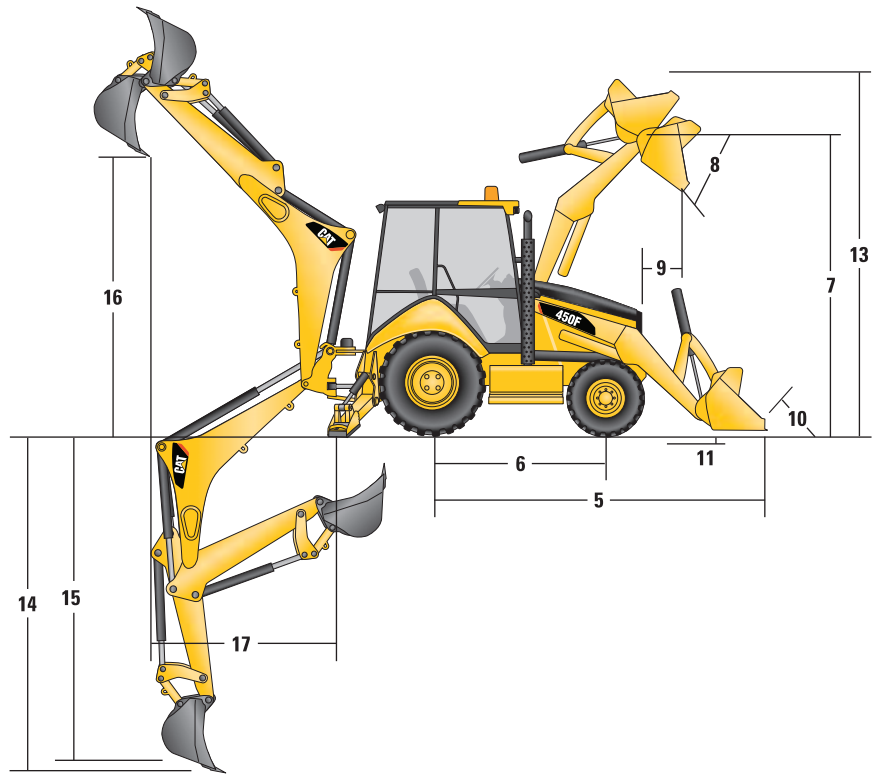
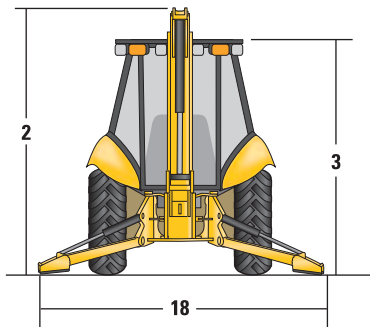
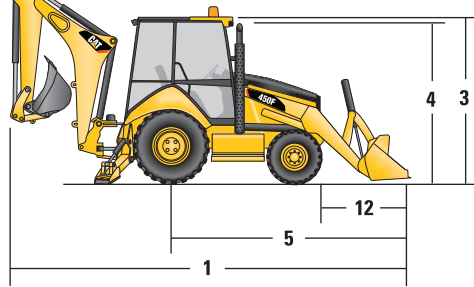


450F Backhoe Loaders

Machine Dimensions

Single Tilt Loader



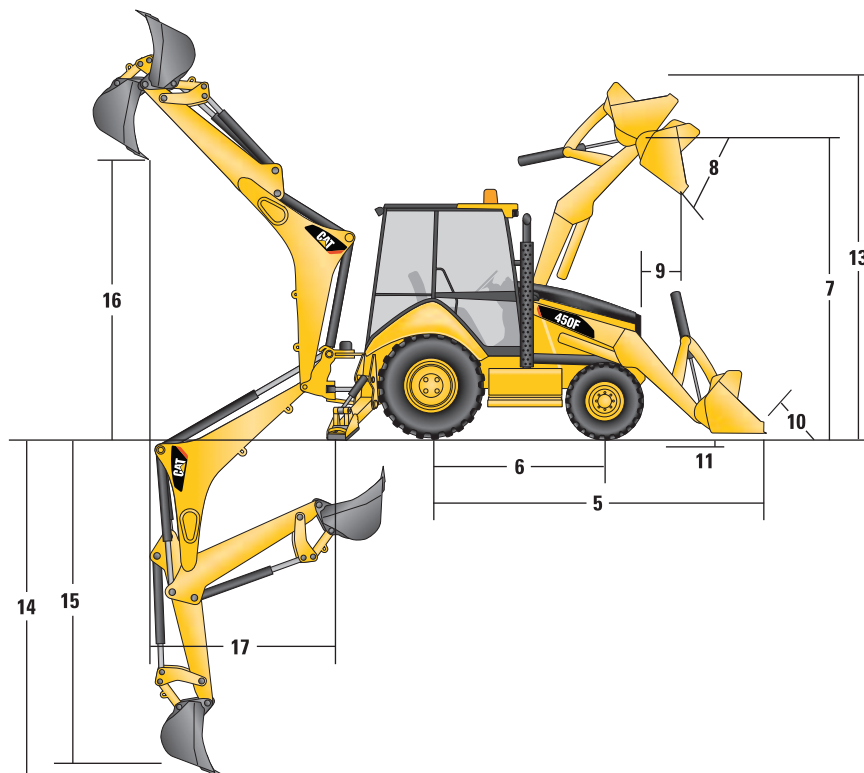
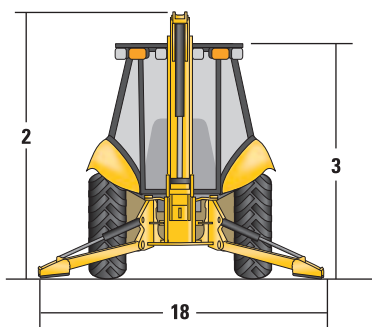
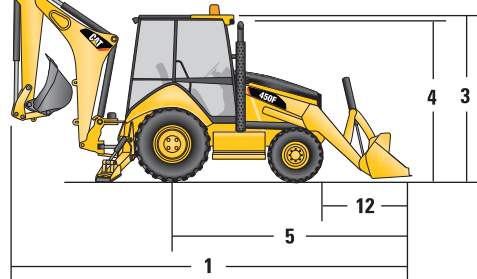
	Single Tilt Loader					
	General Purpose (1.34 m ³ /1.75 yd ³)		Multi Purpose (1.15 m ³ /1.50 yd ³)		Multi Purpose with Forks (1.15 m ³ /1.50 yd ³)	
1 Overall Length (loader on ground)	7913 mm	26'0"	7786 mm	25'7"	7786 mm	25'7"
Overall Transport Length	7916 mm	26'0"	7826 mm	25'7"	7826 mm	25'7"
2 Overall Transport Height – Standard Stick	4143 mm	13'7"	4143 mm	13'7"	4143 mm	13'7"
Overall Transport Height – Extendible Stick	4159 mm	13'8"	4159 mm	13'8"	4159 mm	13'8"
Overall Width	2436 mm	8'0"	2436 mm	8'0"	2436 mm	8'0"
3 Height to Top of Cab/Canopy	2874 mm	9'5"	2874 mm	9'5"	2874 mm	9'5"
4 Height to Top of Exhaust Stack	2800 mm	9'2"	2800 mm	9'2"	2800 mm	9'2"
Height to Loader Hinge Pin (transport)	469 mm	1'6"	481 mm	1'7"	481 mm	1'7"
Ground Clearance (minimum)	322 mm	1'1"	322 mm	1'1"	322 mm	1'1"
5 Rear Axle Centerline to Front Grill	4494 mm	14'9"	4367 mm	14'4"	4367 mm	14'4"
Front Wheel Tread Gauge	2016 mm	6'7"	2016 mm	6'7"	2016 mm	6'7"
Rear Wheel Tread Gauge	1814 mm	5'11"	1814 mm	5'11"	1814 mm	5'11"
6 Wheelbase AWD	2200 mm	7'3"	2200 mm	7'3"	2200 mm	7'3"

Dimensions and performance specifications shown are for machines equipped with 15-19.5 12 ply front tires, 21K-24 16 ply rear tires, ROPS canopy, standard stick with 610 mm (24 in) standard duty bucket, 1.34 m³ (1.75 yd³) general purpose loader bucket and standard equipment unless otherwise specified.

450F Backhoe Loaders

Loader Bucket Dimensions and Performance

Single Tilt Loader



Single Tilt Loader

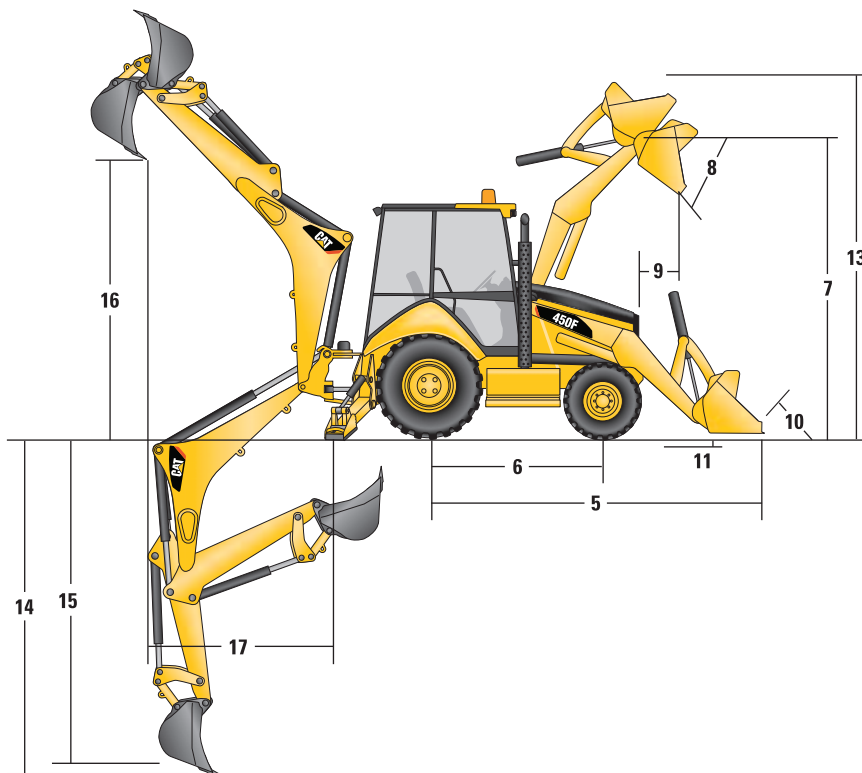
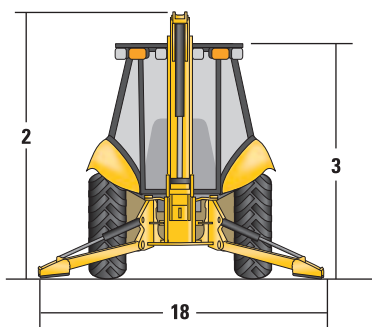
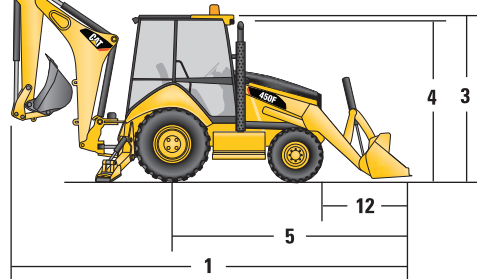
	Single Tilt Loader					
	General Purpose (1.34 m ³ /1.75 yd ³)		Multi Purpose (1.15 m ³ /1.50 yd ³)		Multi Purpose with Forks (1.15 m ³ /1.50 yd ³)	
Capacity (SAE rated)	1.34 m ³	1.75 yd ³	1.15 m ³	1.50 yd ³	1.15 m ³	1.50 yd ³
Overall Bucket Width	2434 mm	96"	2425 mm	95"	2425 mm	95"
Lift Capacity at Maximum Height	3570 kg	7,871 lb	3843 kg	8,473 lb	3708 kg	8,174 lb
Breakout Force	50 600 N	11,375 lbf	60 889 N	13,688 lbf	60 000 N	13,488 lbf
7 Maximum Hinge Pin Height	3501 mm	11'6"	3501 mm	11'6"	3501 mm	11'6"
8 Dump Angle at Full Height	43°		43°		43°	
Dump Height at Maximum Angle	2666 mm	8'9"	2759 mm	9'1"	2759 mm	9'1"
9 Dump Reach at Maximum Angle	850 mm	2'9"	779 mm	2'7"	779 mm	2'7"
10 Maximum Bucket Rollback at Ground Level	40°		40°		40°	
11 Digging Depth	146 mm	6"	127 mm	5"	127 mm	5"
Maximum Grading Angle	106°		109°		109°	
Width of Dozer Cutting Edge	N/A		2406 mm	7'11"	2406 mm	7'11"
12 Grill to Bucket Cutting Edge, Carry Position	1665 mm	5'6"	1572 mm	5'2"	1572 mm	5'2"
13 Maximum Operating Height	4528 mm	14'10"	4561 mm	15'0"	4881 mm	16'0"
Jaw Opening Maximum	N/A		864 mm	2'10"	864 mm	2'10"
Bucket Jaw Clamping Force	N/A		39 800 N	8,947 lbf	39 800 N	8,947 lbf
Weight (does not include teeth or forks)	1043 kg	2,300 lb	957 kg	2,111 lb	1148 kg	2,530 lb

Dimensions and performance specifications shown are for machines equipped with 15-19.5 12 ply front tires, 21K-24 16 ply rear tires, ROPS canopy, standard stick with 610 mm (24 in) standard duty bucket, 1.34 m³ (1.75 yd³) general purpose loader bucket and standard equipment unless otherwise specified.

450F Backhoe Loaders

Backhoe Dimensions and Performance

Single Tilt Loader



	Standard Stick		E-Stick Retracted		E-Stick Extended	
14 Digging Depth, SAE (max.)	5260 mm	17'3"	5260 mm	17'3"	6501 mm	21'4"
15 Digging Depth, 610 mm (2 ft) Flat Bottom	5223 mm	17'2"	5223 mm	17'2"	6466 mm	21'3"
Reach from Rear Axle Centerline at Ground Line	7955 mm	26'1"	7955 mm	26'1"	9137 mm	30'0"
16 Reach from Swing Pivot at Ground Line	6704 mm	22'0"	6704 mm	22'0"	7886 mm	25'10"
Maximum Operating Height	6531 mm	21'5"	6531 mm	21'5"	7375 mm	24'2"
Loading Height	4440 mm	14'7"	4440 mm	14'7"	5194 mm	17'0"
17 Loading Reach	2100 mm	6'11"	2100 mm	6'11"	3112 mm	10'3"
Swing Arc	175°		175°		175°	
Bucket Rotation	198°		198°		198°	
18 Stabilizer Spread, Operating Position (outside)	4055 mm	13'4"	4055 mm	13'4"	4055 mm	13'4"
Stabilizer Spread, Transport Position	2451 mm	8'0"	2451 mm	8'0"	2451 mm	8'0"
Bucket Dig Force	78 938 N	17,746 lbf	78 938 N	17,746 lbf	78 938 N	17,746 lbf
Stick Dig Force	52 401 N	11,780 lbf	53 109 N	11,939 lbf	40 074 N	9,009 lbf

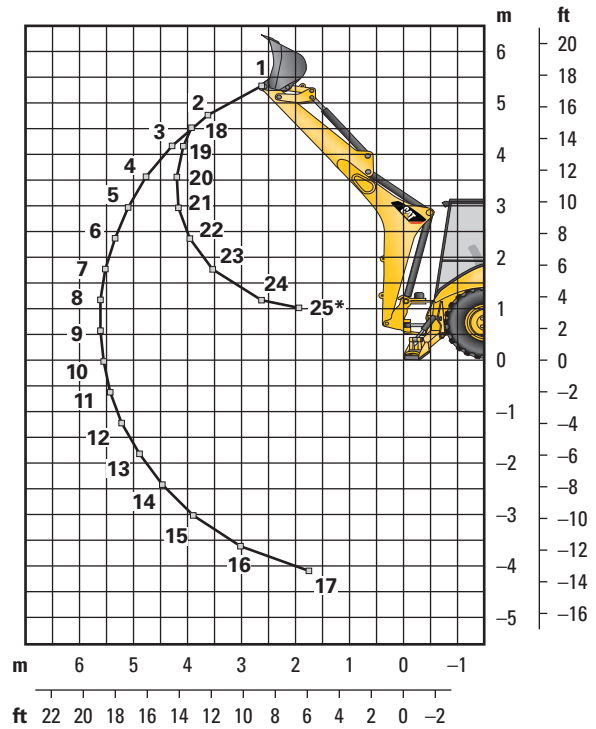
Dimensions and performance specifications shown are for machines equipped with 15-19.5 12 ply front tires, 21K-24 16 ply rear tires, ROPS canopy, standard stick with 610 mm (24 in) standard duty bucket, 1.34 m³ (1.75 yd³) general purpose loader bucket and standard equipment unless otherwise specified.

450F Backhoe Loaders

Backhoe Lift Capacity

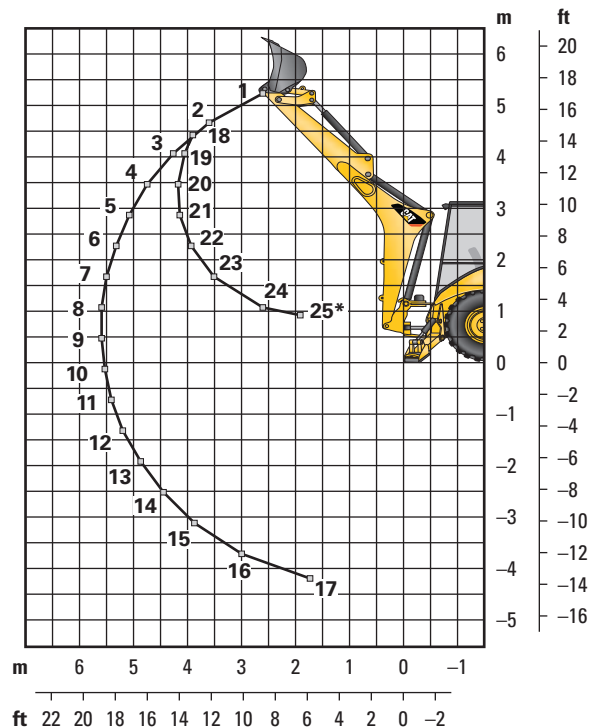
Cat 450F Standard Stick

Boom Lifting			
	kg	lb	
1	2658	5,860	
2	2591	5,711	
3	2477	5,462	
4	2361	5,205	
5	2249	4,959	
6	2144	4,727	
7	2046	4,511	
8	1954	4,308	
9	1868	4,118	
10	1786	3,938	
11	1709	3,767	
12	1635	3,604	
13	1563	3,445	
14	1491	3,287	
15	1416	3,121	
16	1325	2,921	
17	1157	2,551	
Stick Lifting			
	kg	lb	
18	2580	5,689	
19	2928	6,455	
20	3287	7,247	
21	3539	7,802	
22	3811	8,401	
23	4304	9,489	
24	6805	15,003	
25	9909	21,844	



Cat 450F Extendible Stick – Retracted

Boom Lifting			
	kg	lb	
1	2493	5,496	
2	2401	5,293	
3	2277	5,019	
4	2154	4,748	
5	2037	4,491	
6	1928	4,250	
7	1826	4,026	
8	1731	3,816	
9	1641	3,618	
10	1556	3,431	
11	1476	3,253	
12	1398	3,081	
13	1321	2,912	
14	1243	2,741	
15	1159	2,556	
16	1051	2,317	
17	821	1,811	
Stick Lifting			
	kg	lb	
18	2442	5,383	
19	2788	6,147	
20	3146	6,937	
21	3397	7,488	
22	3667	8,084	
23	4158	9,167	
24	6653	14,667	
25	9663	21,303	



Lift Capacities are over-end values. Machine equipped with 4WD, OROPS, 1.34 m³ (1.75 yd³) general purpose loader bucket, 610 mm (24") heavy duty backhoe bucket and 1000 kg (2,200 lb) counterweight.

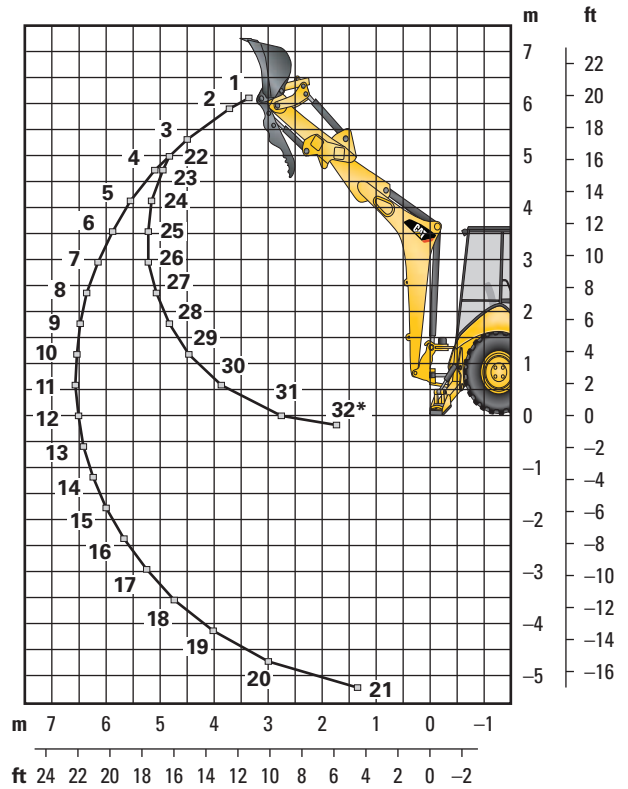
*Indicates lift capacity is stability limited.

450F Backhoe Loaders

Backhoe Lift Capacity

Cat 450F Extendible Stick – Extended

Boom Lifting	kg	lb
1	1489	3,283
2	1532	3,378
3	1571	3,464
4	1558	3,434
5	1524	3,359
6	1481	3,265
7	1435	3,163
8	1387	3,058
9	1340	2,954
10	1293	2,851
11	1248	2,752
12	1205	2,657
13	1164	2,566
14	1124	2,478
15	1087	2,396
16	1052	2,318
17	1019	2,247
18	991	2,185
19	971	2,140
20	973	2,144
21	1183	2,607
Stick Lifting	kg	lb
22	1327	2,925
23	1456	3,210
24	1664	3,669
25	1812	3,995
26	1932	4,259
27	2048	4,514
28	2184	4,815
29	2385	5,258
30	2778	6,125
31	4493	9,906
32	9749	21,492



Lift Capacities are over-end values. Machine equipped with 4WD, OROPS, 1.34 m³ (1.75 yd³) general purpose loader bucket, 610 mm (24") heavy duty backhoe bucket and 1000 kg (2,200 lb) counterweight.

*Indicates lift capacity is stability limited.

450F Backhoe Loaders

Backhoe Buckets

With weld on adapters and pin-on teeth

Standard Duty

Width		Rated Capacity		Weight		No. of Teeth
mm	in	L	ft ³	kg	lb	
305	12	80	2.8	111	245	3
457	18	120	4.2	122	268	4
610	24	180	6.4	141	311	5
762	30	230	8.1	157	345	5
914	36	290	10.2	176	388	6

Heavy Duty

Width		Rated Capacity		Weight		No. of Teeth
mm	in	L	ft ³	kg	lb	
457	18	176	6.2	207	457	3
610	24	270	9.5	247	547	4
762	30	350	12.4	278	612	4
914	36	440	15.4	320	705	6

Ditch Cleaning

Width		Rated Capacity		Weight		No. of Teeth
mm	in	L	ft ³	kg	lb	
1219	48	460	16.2	262	578	N/A
1524	60	570	20.3	303	668	N/A