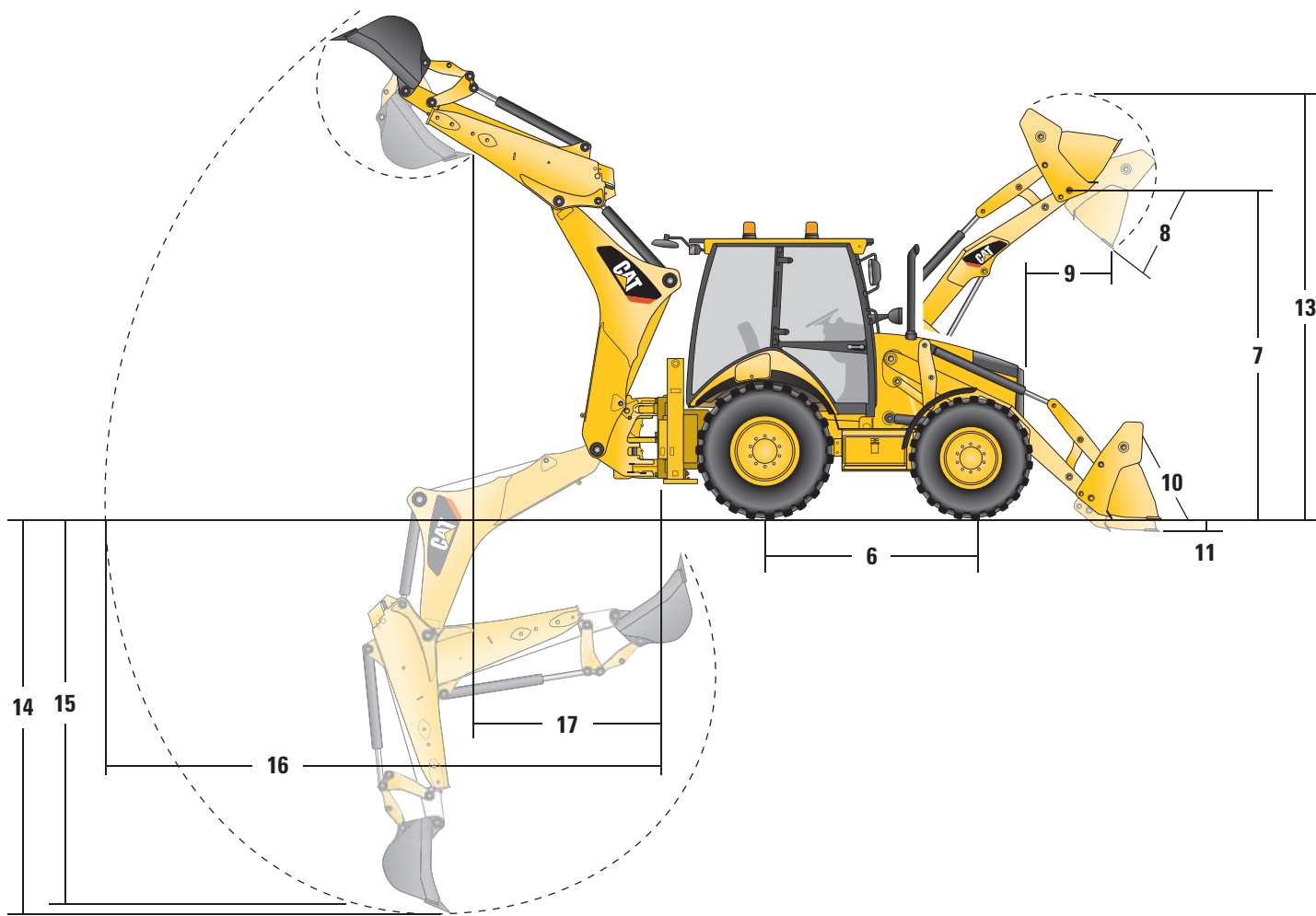
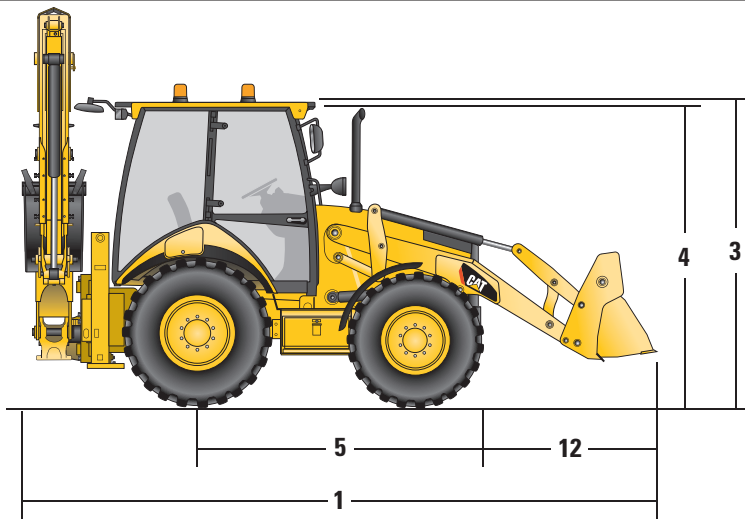
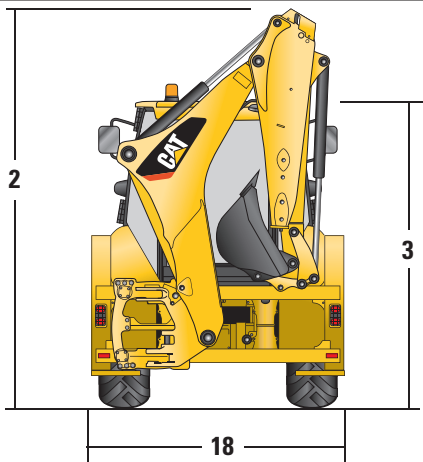


434F Backhoe Loaders



434F Backhoe Loaders

Machine Dimensions

	GP	MP	MP with forks
Overall length (loader on ground, hoe swung out)	7574 mm	7553 mm	7553 mm
1 Overall length in roading position	5857 mm	5842 mm	5845 mm
Overall transport length	5921 mm	5900 mm	5900 mm
2 Overall transport height S-Stick	3780 mm	3780 mm	3780 mm
Overall transport height E-Stick	3769 mm	3769 mm	3769 mm
Overall width (machine, not including bucket)	2322 mm	2322 mm	2322 mm
3 Height to top of cab/canopy	2889 mm	2889 mm	2889 mm
4 Height to top of exhaust stack	2754 mm	2754 mm	2754 mm
Height to loader hinge pin (transport)	368 mm	366 mm	374 mm
Ground clearance (minimum)	320 mm	320 mm	320 mm
5 Rear axle centerline to front grill	2795 mm	2795 mm	2795 mm
Front wheel tread gauge	1826 mm	1826 mm	1826 mm
Rear wheel tread gauge	1707 mm	1707 mm	1707 mm
6 Wheelbase 2WD/AWD	2235 mm	2235 mm	2235 mm

Dimensions and Performance – Loader

	GP	MP	MP with forks
Bucket capacity	1.15 m ³	1.15 m ³	1.15 m ³
Width	2434 mm	2434 mm	2434 mm
Lift capacity at maximum height	4699 mm	4366 mm	4173 mm
Lift breakout force	61.6 kN	58.9 kN	56.9 kN
Tilt breakout force	63.3 kN	63.6 kN	62.2 kN
Tipping load at breakout point	6772 kg	6579 kg	6397 kg
7 Maximum hinge pin height	3518 mm	3518 mm	3518 mm
8 Dump angle at full height	45°	45°	45°
Dump height at maximum angle	2745 mm	2760 mm	2760 mm
9 Dump reach at maximum angle	923 mm	908 mm	908 mm
10 Maximum bucket rollback at ground level	44°	44°	44°
11 Digging depth	154 mm	154 mm	154 mm
Maximum grading angle	109°	110°	110°
12 Grill to bucket cutting edge, carry position	1495 mm	1481 mm	1484 mm
13 Maximum operating height	4386 mm	4463 mm	4341 mm
Weight (does not include teeth or forks)	438 kg	752 kg	927 kg

Dimensions and Performance – Backhoe

	Standard	E-stick Retracted	E-stick Extended
14 Digging depth, SAE maximum	4379 mm	4383 mm	5360 mm
Digging depth, manufacturer's maximum	4884 mm	4889 mm	5806 mm
Digging depth, 2440 mm flat bottom	4004 mm	4008 mm	5070 mm
15 Digging depth, 610 mm flat bottom	4336 mm	4339 mm	5326 mm
Reach from rear axle centerline at ground line	6750 mm	6755 mm	7679 mm
16 Reach from swing pivot at ground line	5660 mm	5665 mm	6589 mm
Maximum operating height	5548 mm	5547 mm	6115 mm
Loading height	3879 mm	3890 mm	4457 mm
17 Loading reach	1808 mm	1758 mm	2642 mm
Swing arc	180°	180°	180°
Bucket rotation	205°	205°	205°
18 Stabilizer (overall width)	2352 mm	2352 mm	2352 mm
Bucket dig force	63.4 kN	63.4 kN	63.4 kN
Stick dig force	35.3 kN	35.9 kN	26.3 kN