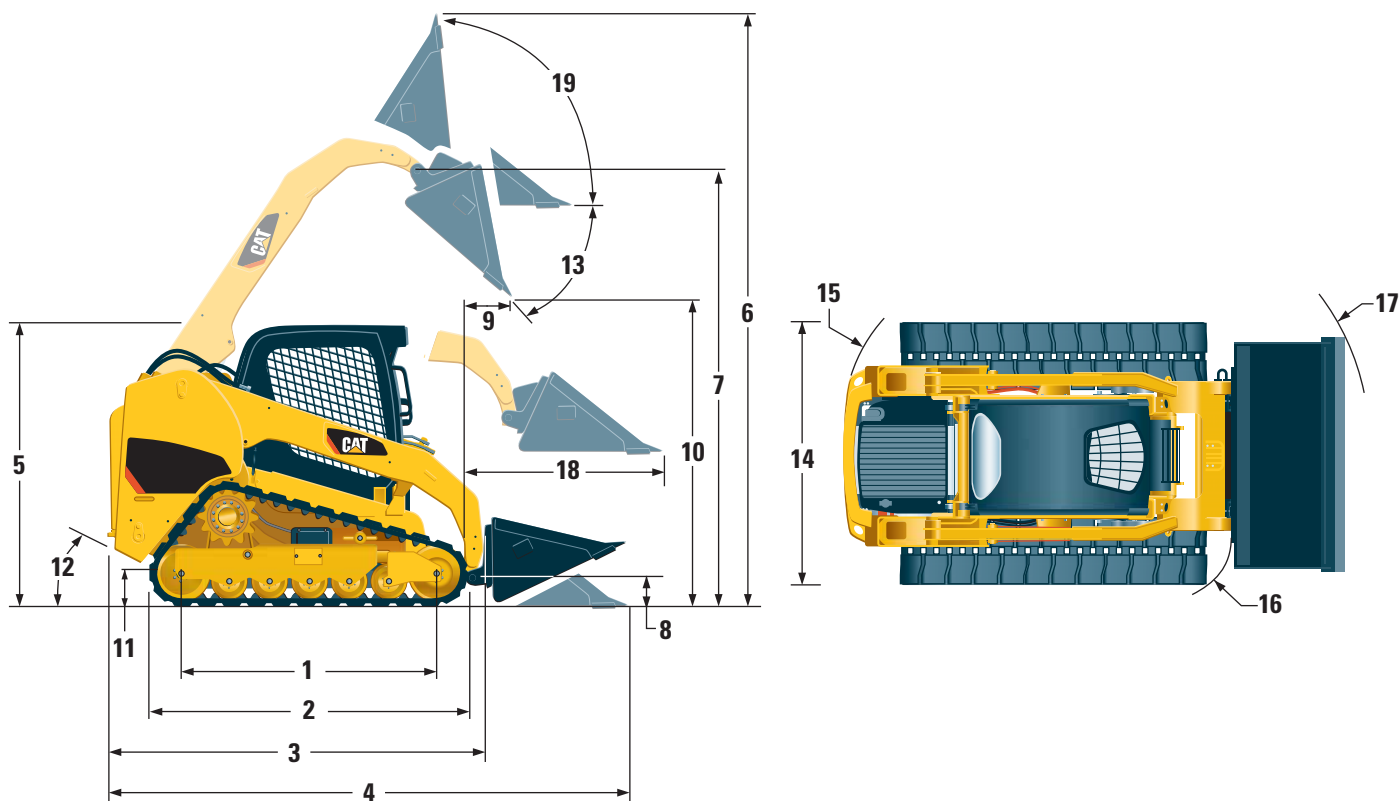


# 279C Series 2 Compact Track Loader

## Dimensions



### 279C Series 2

1	Length of Track on Ground	1625 mm 64 in
2	Overall Length of Track	2129 mm 83.8 in
3	Length w/o Bucket	2960 mm 116.5 in
4	Length w/Bucket on Ground	3679 mm 144.8 in
5	Height to Top of Cab	2117 mm 83.3 in
6	Max. Overall Height	4005 mm 157.7 in
7	Bucket Pin Height at Max. Lift	3128 mm 123.2 in
8	Bucket Pin Height at Carry Position	195 mm 7.7 in
9	Reach at Max. Lift and Dump	594 mm 23.4 in
10	Clearance at Max. Lift and Dump	2427 mm 95.6 in
11	Ground Clearance	231 mm 9.1 in
12	Departure Angle	44°
13	Maximum Dump Angle	40°
14	Vehicle Width	1981 mm 78.0 in
15	Turning Radius from Center - Machine Rear	1726 mm 69.4 in
16	Turning Radius from Center - Coupler	1458 mm 57.4 in
17	Turning Radius from Center - Bucket	2238 mm 88.1 in
18	Max. Reach w/Arms Parallel to Ground	1387 mm 54.6 in
19	Rack Back Angle at Max. Height	85°