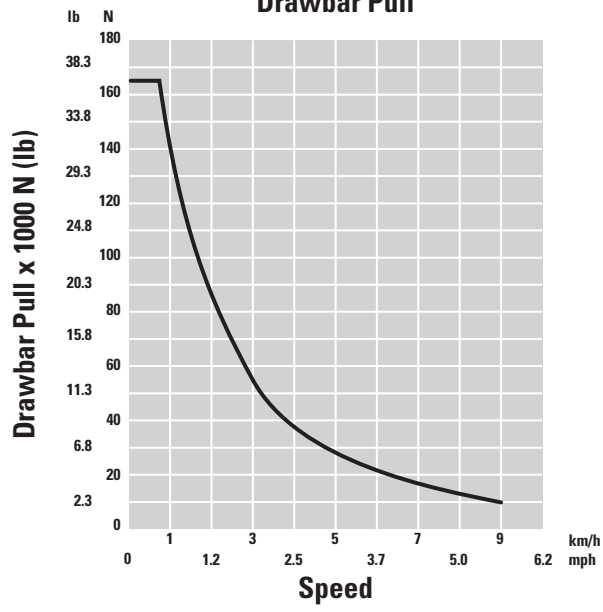


D4K2 Track-Type Tractor

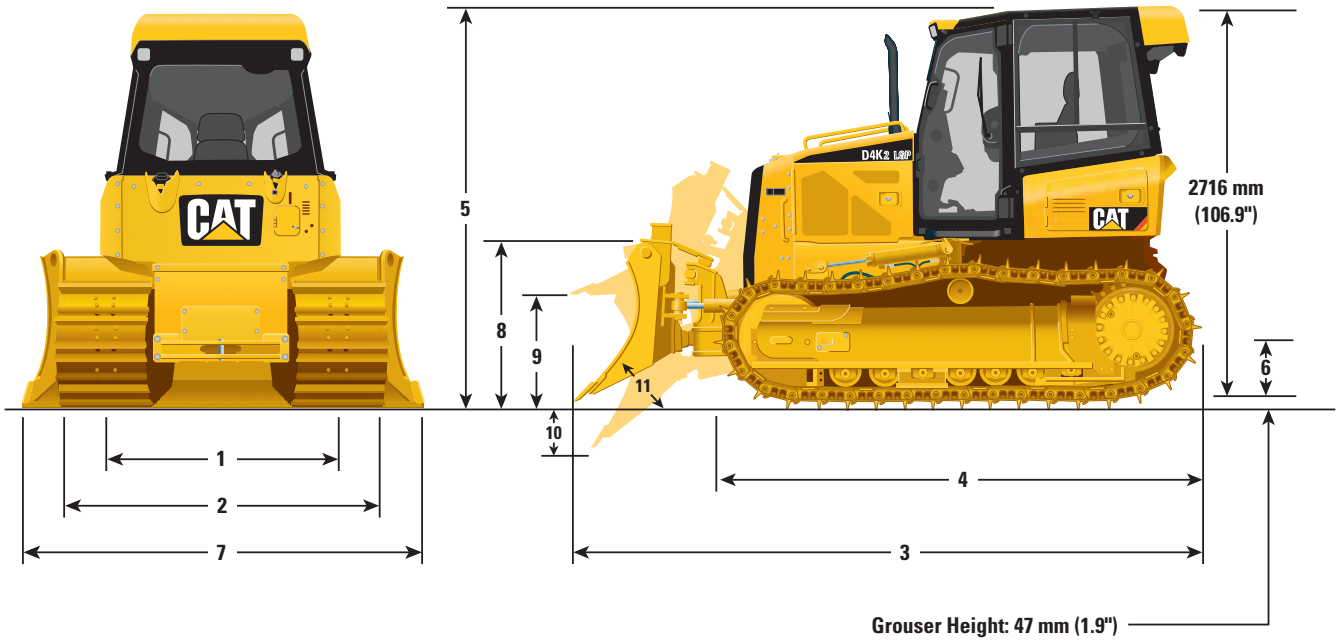
Drawbar Pull



D4K2 Track-Type Tractor

Dimensions

All dimensions are approximate.



	XL		LGP	
1 Track gauge	1550 mm	61 in	1725 mm	67.9 in
2 Width of tractor (standard shoes, no blade)	2010 mm	79.1 in	2360 mm	92.9 in
3 Overall length (with blade)	4274 mm	168.3 in	4274 mm	168.3 in
4 Length of basic tractor (without blade)	3275 mm	128.9 in	3275 mm	128.9 in
5 Tractor height	2763 mm	108.8 in	2763 mm	108.8 in
6 Ground clearance	332 mm	13 in	332 mm	13 in

BLADE	XL		Intermediate		LGP	
7 Blade width	2782 mm	109.5 in	2921 mm	115 in	3149 mm	124 in
8 Blade height	1010 mm	39.8 in	860 mm	33.9 in	910 mm	35.8 in
9 Blade lift height	743 mm	29.3 in	743 mm	29.3 in	708 mm	27.9 in
10 Digging depth	573 mm	22.5 in	590 mm	23.2 in	590 mm	23.2 in
11 Blade cutting edge angle, adjustable	52° to 58°		52° to 58°		52° to 58°	
Maximum tilt	387 mm	15.2 in	448 mm	17.6 in	438 mm	17.2 in
Maximum angle (either side)	25°		25°		25°	
Blade width at maximum angle	2542 mm	100.1 in	2669 mm	105.1 in	2874 mm	113.1 in
Blade capacity (SAE)	1.98 m ³	2.59 yd ³	1.50 m ³	1.96 yd ³	1.85 m ³	2.42 yd ³