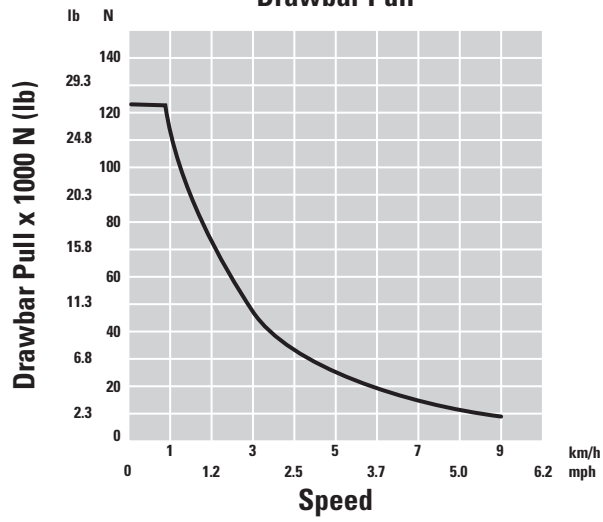


# D3K2 Track-Type Tractor

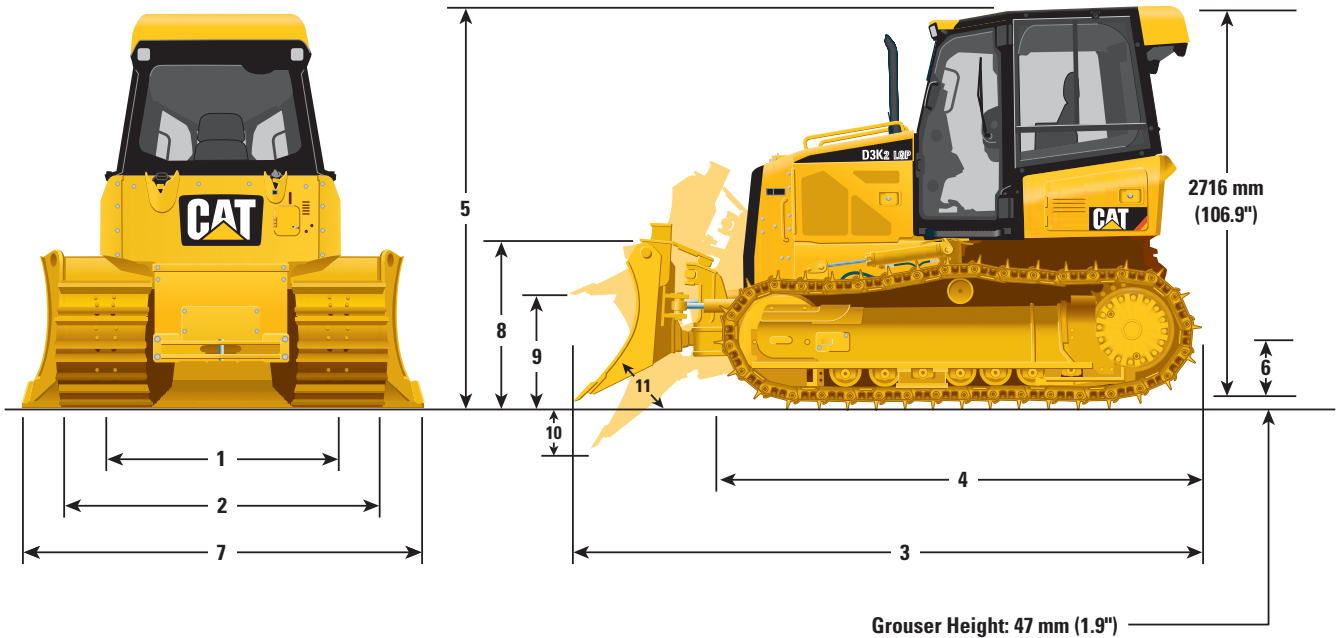
## Drawbar Pull



# D3K2 Track-Type Tractor

## Dimensions

All dimensions are approximate.



	XL		LGP		LGP, 762 mm (30 in)	
<b>1</b> Track gauge	1495 mm	58.9 in	1725 mm	67.9 in	1860 mm	73 in
<b>2</b> Width of tractor (standard shoes, no blade)	1901 mm	74.8 in	2360 mm	92.9 in	2411 mm	94.9 in
<b>3</b> Overall length (with blade)	4266 mm	168 in	4255 mm	167.6 in	4255 mm	167.6 in
<b>4</b> Length of basic tractor (without blade)	3275 mm	128.9 in	3275 mm	128.9 in	3275 mm	128.9 in
<b>5</b> Tractor height	2763 mm	108.8 in	2763 mm	108.8 in	2763 mm	108.8 in
<b>6</b> Ground clearance	332 mm	13 in	332 mm	13 in	332 mm	13 in

BLADE	XL		Intermediate		LGP	
<b>7</b> Blade width	2646 mm	104.2 in	2921 mm	115 in	3149 mm	124 in
<b>8</b> Blade height	910 mm	35.8 in	860 mm	33.9 in	860 mm	33.8 in
<b>9</b> Blade lift height	730 mm	28.7 in	743 mm	29.3 in	730 mm	28.7 in
<b>10</b> Digging depth	573 mm	22.5 in	573 mm	22.5 in	573 mm	22.5 in
<b>11</b> Blade cutting edge angle, adjustable	52° to 58°		52° to 58°		52° to 58°	
Maximum tilt	368 mm	14.5 in	448 mm	17.7 in	438 mm	17.2 in
Maximum angle (either side)	25°		25°		25°	
Blade width at maximum angle	2417 mm	95.2 in	2669 mm	105.1 in	2874 mm	113.1 in
Blade capacity (SAE)	1.52 m <sup>3</sup>	1.99 yd <sup>3</sup>	1.50 m <sup>3</sup>	1.96 yd <sup>3</sup>	1.66 m <sup>3</sup>	2.17 yd <sup>3</sup>