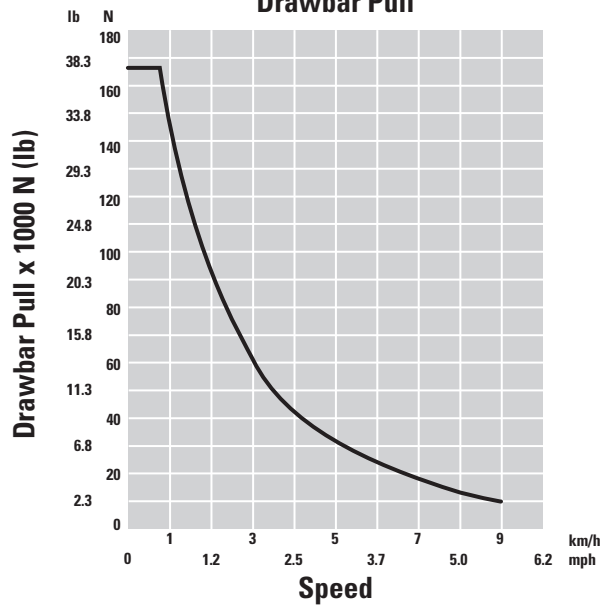


D5K2 Track-Type Tractor

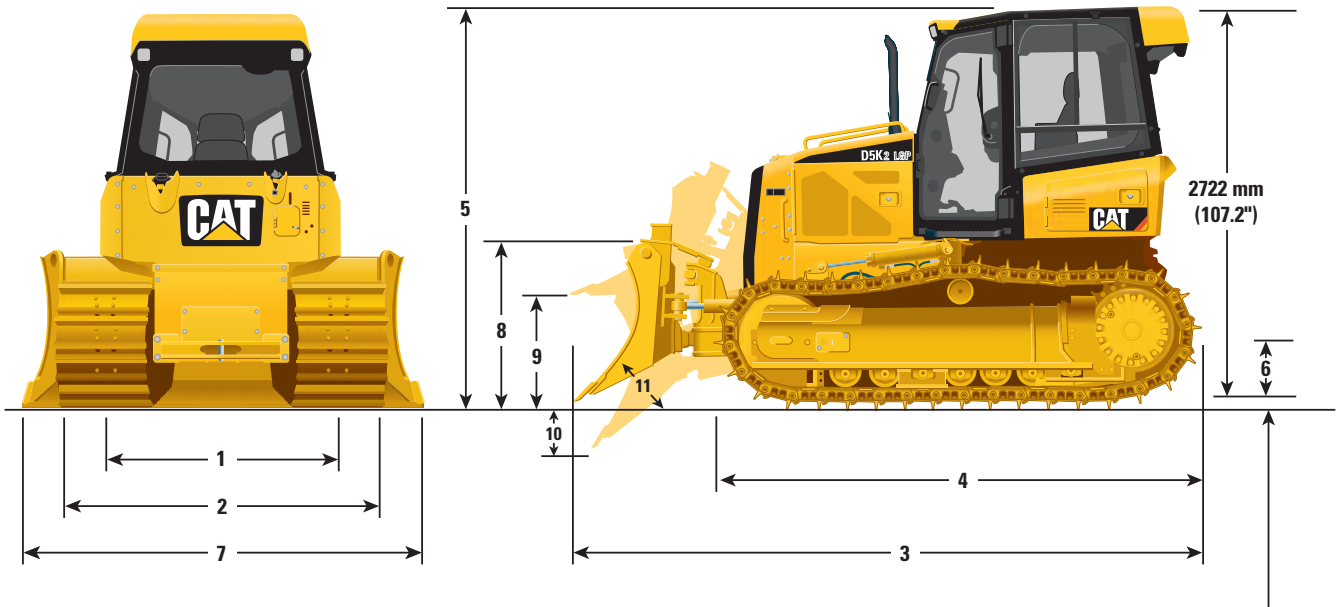
Drawbar Pull



D5K2 Track-Type Tractor

Dimensions

All dimensions are approximate.



	XL		LGP		LGP, 762 mm (30 in)	
1 Track gauge	1600 mm	63 in	1750 mm	68.9 in	1860 mm	73.2 in
2 Width of tractor (standard shoes, no blade)	2110 mm	83.1 in	2410 mm	94.9 in	2630 mm	103.5 in
3 Overall length (with blade)	4309 mm	170.1 in	4309 mm	169.1 in	4309 mm	169.1 in
4 Length of basic tractor (without blade)	3265 mm	128.5 in	3265 mm	128.5 in	3265 mm	128.5 in
5 Tractor height	2769 mm	109 in	2769 mm	109 in	2769 mm	109 in
6 Ground clearance	332 mm	13 in	332 mm	13 in	332 mm	13 in

BLADE	XL		Intermediate		LGP	
7 Blade width	2782 mm	109.5 in	2921 mm	115 in	3220 mm	126.7 in
8 Blade height	1073 mm	42.2 in	1010 mm	39.8 in	1010 mm	39.8 in
9 Blade lift height	767 mm	30.2 in	767 mm	30.2 in	767 mm	30.2 in
10 Digging depth	586 mm	23.1 in	572 mm	22.5 in	572 mm	22.5 in
11 Blade cutting edge angle, adjustable	52° to 58°		52° to 58°		52° to 58°	
Maximum tilt	402 mm	15.8 in	448 mm	17.6 in	448 mm	17.6 in
Maximum angle (either side)	25°		25°		25°	
Blade width at maximum angle	2636 mm	103.8 in	2669 mm	105.1 in	2940 mm	115.8 in
Blade capacity (SAE)	2.19 m ³	2.86 yd ³	2.09 m ³	2.73 yd ³	2.34 m ³	3.06 yd ³