

914G/IT14G

Compact Wheel Loader/
Integrated Toolcarrier



Engine

Model	Cat® C4.4	
Net Power – SAE J1349	71 kW	95 hp
Net Power – ISO 9249/EEC	72 kW	97 hp
Net Power – ISO 9249 (DIN)	72 kW	98 hp

Weights

Operating Weight – 914G	7950 kg	17,530 lb
Operating Weight – IT14G	8450 kg	18,632 lb

Buckets

Bucket Capacities	1.2-1.4 m ³	1.6-1.8 yd ³
-------------------	------------------------	-------------------------

914G/IT14G Features

Comfortable Cab

Spacious cab and easy to use controls deliver all day comfort so you can concentrate on your work.

High Performance Power Train

Aggressive performance helps you get more done.

Loader Linkage

Loader design is built for strength and durability.

Work Tools

Do more jobs with one machine with the variety of Cat Work Tools.



Contents

Operator Station.....	3
Power Train.....	4
Loader.....	4
Work Tools.....	5
Serviceability.....	6
Customer Support.....	6
914G/IT14G Compact Wheel Loader/ Integrated Toolcarrier Specifications	7
914G/IT14G Standard Equipment.....	18
914G/IT14G Optional Equipment.....	19

The Cat® 914G/IT14G delivers strong performance, high productivity and proven reliability. Spacious cab with joystick control keeps you comfortable throughout the work day, allowing you to get more done. Loader design provides strength and durability with superior control. Expand your business with the 914G/IT14G.



Operator Station

Superior comfort keeps you productive, all day long.

Cab

The ergonomic cab provides a comfortable work environment with large windows, spacious interior room, generous storage areas and low interior sound levels. The two-door design allows easy entry and exit. Both doors open fully and lock flush against the cab. Steps leading up to the cab are wide and angled out for secure footing. The optional air suspension seat is designed for maximum comfort and fully-adjustable support. Generous storage space includes a lockable compartment, coat hook and compartments designed to hold a lunchbox/cooler, cup or can. A tool box is also provided.

Low Effort Controls

Hydraulic pilot controls provide easy operation of lift and tilt functions. A remote transmission control option adds a forward/neutral/reverse control switch on the implement lever for easier operation and enhanced productivity. Third and fourth function controls are also available for use with special work tools. Hydrostatic, closed-center steering system with flow amplification provides fast or slow steering response, depending on the operational requirement. The creeper control option allows variable function of travel speeds with full engine RPM.

Visibility

The loader arms have been designed to provide excellent visibility throughout the production cycle.

Power Train

Designed for power, durability and performance.

Cat Engine

The Cat C4.4 engine has a proven reputation for rugged, reliable operation while providing peak performance in a wide range of operating conditions. High horsepower and torque help you get more work done in a day.

Transmission

The high-pressure closed-loop hydrostatic transmission delivers high performance with a broad range of power to the ground.

Axles

Heavy-duty axle design features strong gears and bearings for durable performance. The fixed front, oscillating rear axle helps assure four-wheel ground contact for optimum traction and stability. Patented Duo-Cone™ seals on the axle and housing keep oil in and lock contaminants out. A choice of standard conventional or Limited Slip Differentials adapts the machine to a wide range of operating conditions.

Brakes

Hydraulically-actuated disc brakes are standard on both the front and rear axles and provide low effort operation. The mechanical, shoe-type parking brake also automatically neutralizes the transmission when applied.



Loader

Built for strength.

Z-Bar Linkage Design

The high performance Z-bar loader linkage design on the 914G is built for strength, visibility and versatile attachment usage.

8-Bar Parallel Linkage Design

The 8-bar parallel linkage on the IT14G simplifies keeping forks level throughout the range of lift, without adjustment. Longer lift arms, taller front tower and higher pivot points offer more lift, height and reach than conventional loaders. Having more tilt capacity than lift in almost every position provides superior load control.



Work Tools

Do more jobs with one machine with Cat Work Tools.

The Right Tool for the Job

With a variety of Cat Work Tools, the 914G/IT14G is ideal for a wide range of applications. Work tool controls feature pilot operated lift and tilt circuits with low effort single-lever control.

Quick Coupler

Work Tools can be changed quickly and easily with the integral quick coupler system, standard on the IT14G and optional on the 914G. A switch in the IT14G cab activates a hydraulic cylinder for positive tool engagement or disengagement.

Auxiliary Hydraulics

Optional 3rd (standard on the IT14G) and 4th function hydraulics are available for use with work tools that require hydraulic power such as rotary brooms.



Serviceability

Easy access and minimal maintenance requirements reduce downtime.



Convenient Service Features

One-piece engine enclosure hood with gas struts lifts for exceptional access to filters and service points. All service points are accessible from ground level.

- Radiator and oil coolers are easily accessible for cleaning.
- Easily check radiator coolant and hydraulic oil levels with sight gauges.
- Swing-out oil cooler allows quick, easy cleaning and service to the radiator.
- S·O·SSM ports are factory installed for improved access to engine, transmission and hydraulic oils. S·O·S ports make oil sampling quicker, cleaner and provide the best oil sample for analysis.
- Spin-on filters for engine oil and hydraulic oil are vertically mounted for easier servicing.
- Cat Extended Life Coolant/Antifreeze allows extended operation (up to 6,000 hours) between changes.

Customer Support

Support you can count on.

Superior Dealer Service

Your Cat dealer is ready to assist you with your purchase decision and everything after.

- Make comparisons of machines, with estimates of component life, preventative maintenance and cost of production.
- Financing packages are flexible to meet your needs.
- Your Cat dealer can evaluate the cost to repair, rebuild and replace your machine, so you can make the right decision.
- For more information on Cat products, dealer services and industry solutions, visit us at www.cat.com.



914G/IT14G Compact Wheel Loader/Integrated Toolcarrier Specifications

Engine

Model	Cat® C4.4	
Maximum Gross Power – ISO 14396	75 kW	101 hp
Maximum Gross Power – ISO 14396 (DIN)	75 kW	102 hp
Rated Net Power @ 2,300 rpm – SAE J1349	71 kW	95 hp
Rated Net Power @ 2,300 rpm – ISO 9249/EEC	72 kW	97 hp
Rated Net Power @ 2,300 rpm – ISO 9249 (DIN)	72 kW	98 hp

- The Cat C4.4 engine meets EU Stage II and U.S. EPA Tier 2 emission regulations.

Engine Dimensions

Bore	105 mm	4.13 in
Stroke	127 mm	5 in
Displacement	4.4 L	268 in ³

Weights

Operating Weight – 914G	7950 kg	17,530 lb
Operating Weight – IT14G	8450 kg	18,632 lb
Optional Counterweight*	150 kg	330 lb

* Optional on 914G. Standard on IT14G.

- 914G with 1.4 m³ (1.8 yd³) bucket with bolt-on cutting edge and optional counterweight.
- IT14G with 1.4 m³ (1.8 yd³) bucket with bolt-on cutting edge, quick coupler and counterweight.

Operating Specifications

Tire Size	17.5-25	
Rated Bucket Capacity	1.3 m ³	1.7 yd ³
Breakout Force – 914G	62 kN	14,007 lb
Breakout Force – IT14G	77 kN	17,342 lb
Full Turn Static Tipping Load, Bucket – 914G	5323 kg	11,737 lb
Full Turn Static Tipping Load, Bucket – IT14G	4792 kg	10,566 lb
Dump Height @ Full Lift – 914G	2659 mm	8 ft 9 in
Dump Height @ Full Lift – IT14G	2921 mm	9 ft 7 in
Articulation	40 degrees	
Oscillation +/-	11 degrees	

Transmission

Travel Speed 1	9 km/h	5.6 mph
Travel Speed 2 – 914G	35 km/h	22 mph
Travel Speed 2 – IT14G	32 km/h	20 mph

Cab

ROPS	SAE J394, SAE J1040, ISO 3471	
FOPS	SAE J231, ISO 3449	
Sound	74 dB(A)	

Hydraulic System

Main Relief	245.5 bar	3,560 psi
Flow	90 L/min	23.8 gal/min
Hydraulic Cycle Time – Lift	5.6	
Hydraulic Cycle Time – Dump	2.1	
Hydraulic Cycle Time – Lower, Float	3.2	
Lift Cylinders, Double Acting – 914G	89 × 672 mm	3.5 × 26.5 in
Lift Cylinders, Double Acting – IT14G	89 × 795 mm	3.5 × 31.3 in
Tilt Cylinder, Double Acting – 914G	102 × 400 mm	4.0 × 15.8 in
Tilt Cylinder, Double Acting – IT14G	76 × 805 mm	3.0 × 31.7 in

Service Refill Capacities

Cooling System	23 L	6.1 gal
Fuel Tank	150 L	39.6 gal
Hydraulic System	100 L	26.4 gal
Hydraulic Tank	70 L	18.5 gal

Buckets

Bucket Capacities	1.2-1.4 m ³	1.6-1.8 yd ³
-------------------	------------------------	-------------------------

Brakes

- Meets SAE J1473 and ISO 3450 requirements.

914G/IT14G Compact Wheel Loader/Integrated Toolcarrier Specifications

914G Operating Specifications

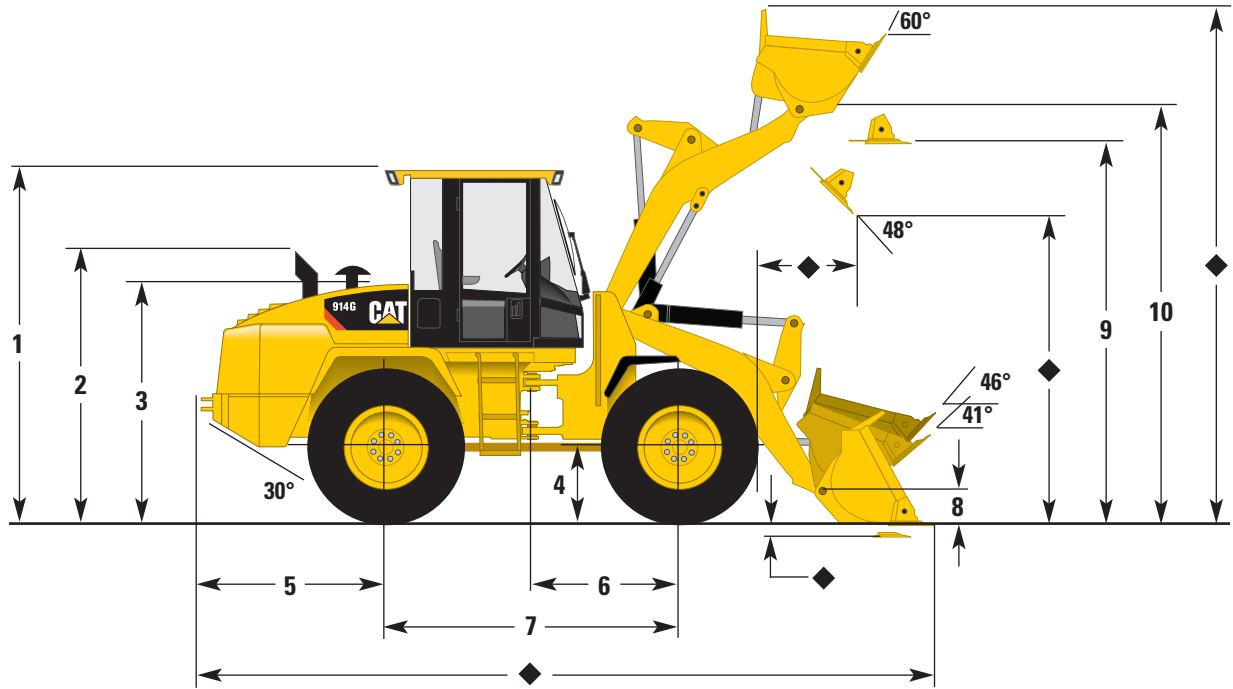
		General Purpose Buckets						Penetration Buckets	
		With Bolt-On Cutting Edge		With Bolt-On Teeth and Segments		With Bolt-On Teeth		With Flush Mounted Teeth	
Rated bucket capacity (§)	m ³ yd ³	1.3 1.7	1.4 1.8	1.3 1.7	1.4 1.8	1.2 1.6	1.3 1.7	1.3 1.7	1.4 1.8
Struck capacity (§)	m ³ yd ³	1.1 1.4	1.2 1.5	1.1 1.4	1.2 1.5	1.0 1.3	1.1 1.5	1.1 1.5	1.2 1.5
Width	mm ft/in	2401 7'10.5"	2401 7'10.5"	2424 7'11.4"	2424 7'11.4"	2424 7'11.4"	2424 7'11.4"	2434 7'11.8"	2434 7'11.8"
Dump clearance at full lift and 45° discharge (§)	mm ft/in	2659 8'9"	2623 8'7"	2667 8'9"	2632 8'7"	2715 8'11"	2680 8'10"	2680 8'10"	2680 8'10"
Reach at full lift and 45° discharge (§)	mm ft/in	973 3'2"	1008 3'4"	964 3'2"	1000 3'3"	944 3'1"	979 3'3"	979 3'3"	979 3'3"
Reach at 45° discharge and 2130 mm (7 ft) clearance (§)	mm ft/in	1331 4'4"	1348 4'5"	1282 4'2"	1297 4'3"	1259 4'2"	1275 4'2"	1287 4'3"	1249 4'1"
Reach with lift arms horizontal and bucket level	mm ft/in	1980 6'6"	2030 6'8"	1970 6'6"	2020 6'8"	1920 6'4"	1970 6'6"	1970 6'6"	1970 6'6"
Digging depth (§)	mm in	89 3.5"	89 3.5"	89 3.5"	89 3.5"	70 2.8"	70 2.8"	70 2.8"	70 2.8"
Overall length	mm ft/in	6229 20'5"	6279 20'7"	6328 20'9"	6378 20'11"	6310 20'8"	6360 20'10"	6358 20'10"	6438 21'1"
Overall height with bucket at full raise (§)	mm ft/in	4390 14'5"	4442 14'7"	4390 14'5"	4442 14'7"	4390 14'5"	4442 14'7"	4442 14'7"	4442 14'7"
Loader clearance circle with bucket in carry position	m ft/in	10.34 33'11"	10.37 34'0"	10.42 34'2"	10.45 34'4"	10.42 34'2"	10.45 34'4"	10.44 34'3"	10.49 34'5"
Static tipping load straight* (§)	kg lb	6098 13,446	6069 13,382	6059 13,360	6029 13,294	6169 13,603	6166 13,602	6183 13,634	6011 13,254
Static tipping load full 40° turn* (§)	kg lb	5323 11,737	5295 11,675	5284 11,651	5256 11,589	5415 11,940	5387 11,878	5404 11,916	5232 11,537
Breakout force (§)	kg lb	6367 14,007	5971 13,136	6415 14,113	6010 13,222	6929 15,246	6469 14,232	6484 14,265	6374 14,055
Operating weight*	kg lb	7378 16,262	7391 16,297	7409 16,337	7422 16,366	7336 16,176	7349 16,205	7336 16,176	7500 16,538

*Static tipping and operating weights shown are for high-speed version 914G and include lubricants, full fuel tank, ROPS cab, 80 kg (176 lb) operator and 17.5-R25 (L2 equivalent) tires.

NOTE: Specifications and ratings conform to all applicable standards recommended by the Society of Automotive Engineers (SAE). SAE Standards J732 and J742 govern loader rating, denoted in the text by (§).

914G Dimensions with Bucket

All dimensions are approximate.



	mm	ft/in
1	3100	10'2"
2	2255	7'5"
3	2080	6'10"
4	620	2'0"
5	1658	5'5"
6	1300	4'3"
7	2600	8'6"
8	374	1'3"
9	3236	10'7"
10	3435	11'3"

◆ Dimensions vary with bucket. Refer to Operating Specifications chart on previous page.

		Tread Width	Width over Tires	Ground Clearance	Change in Vertical Dimensions
15.5-25, 12PR (L-2)	mm	1800	2223	414	-42
	in	70.9	87.5	16.3	-1.7
17.5-R25 (L-2 equivalent)	mm	1800	2258	456	—
	in	70.9	88.9	18.0	—

914G/IT14G Compact Wheel Loader/Integrated Toolcarrier Specifications

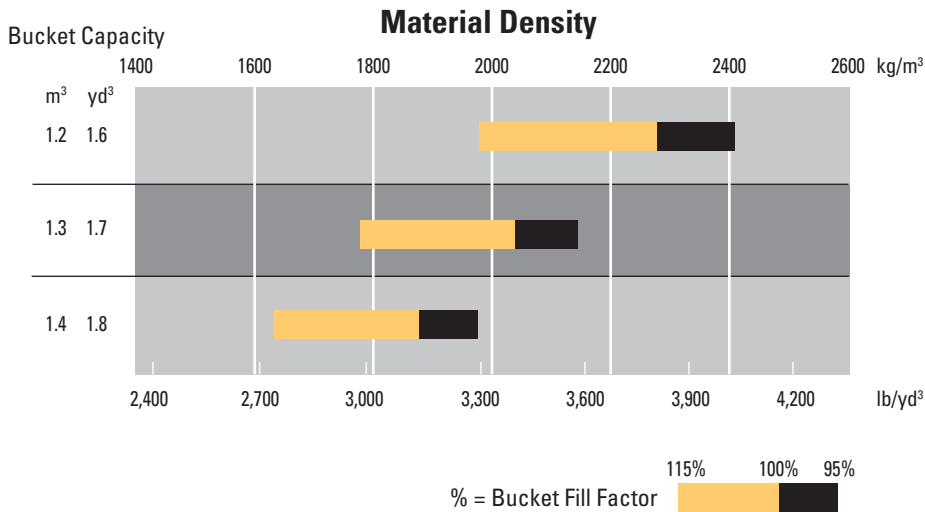
914G Supplemental Specifications

	Change in Operating Weight		Change in Articulated Static Tipping Load	
	kg	lb	kg	lb
Air conditioner	+55	+121	+71	+156
Canopy, ROPS (less cab)	-199	-438	-174	-383
Counterweight, 150 kg (330 lb)	+152	+334	+287	+631
Ride control	+32	+70	+6	+13
Standard speed version machine	-70	-154	-74	-163
Secondary steering	+30	+66	+44	+97
Tires and rims, 15.5-25, 12PR (L-2)	-159	-350	-99	-218
Tires and rims, 15.5-25, 12PR (L-3)	-78	-172	-48	-106
Tires and rims, 17.5-25, 12PR (L-2)	-126	-277	-78	-172
Tires and rims, 17.5-25, 12PR (L-3)	+12	+26	+7	+15
Tires and rims, 17.5-R25, radial (L-3 equivalent)	+156	+343	+96	+211
Tires and rims, 17.5-R25, radial (L-2/L-3 equivalent)	+95	+209	+58	+128

Typical Material Densities – Loose

	kg/m ³	lb/yd ³		kg/m ³	lb/yd ³
Basalt	1960	3,305	Gypsum		
Bauxite, Kaolin	1420	2,394	broken	1810	3,052
Clay			crushed	1600	2,698
natural bed	1660	2,799	Limestone		
dry	1480	2,495	broken	1540	2,596
wet	1660	2,799	crushed	1540	2,596
Clay and gravel			Sand		
dry	1420	2,394	dry, loose	1420	2,394
wet	1540	2,596	damp	1690	2,849
Decomposed rock			wet	1840	3,102
75% rock, 25% earth	1960	3,305	Sand and clay		
50% rock, 50% earth	1720	2,900	loose	1600	2,698
25% rock, 75% earth	1570	2,647	Sand and gravel		
Earth			dry	1720	2,900
dry, packed	1510	2,546	wet	2020	3,416
wet, excavated	1600	2,698	Sandstone	1510	2,546
Granite			Shale	1250	2,107
broken	1660	2,799	Slag		
Gravel			broken	1750	2,950
pitrun	1930	3,254	Stone		
dry	1510	2,546	crushed	1600	2,698
dry, 6-50 mm (0.2-2 in)	1690	2,849			
wet, 6-50 mm (0.2-2 in)	2020	3,406			

914G Bucket Size Selector



914G/IT14G Compact Wheel Loader/Integrated Toolcarrier Specifications

IT14G Operating Specifications

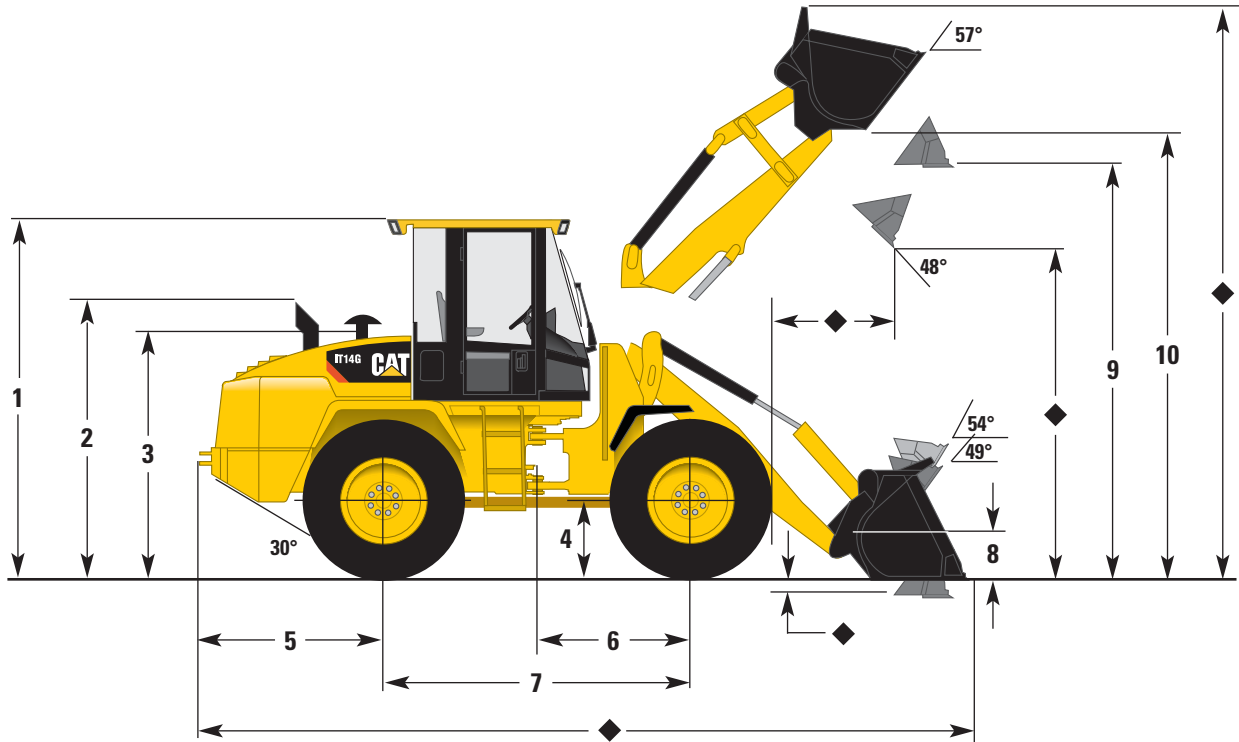
		General Purpose Buckets						Penetration Buckets
		With Bolt-On Cutting Edge		With Bolt-On Teeth		With Bolt-On Teeth and Segments		With Flush Mounted Teeth
Rated bucket capacity (§)	m ³	1.3	1.4	1.2	1.3	1.3	1.4	1.3
	yd ³	1.7	1.8	1.6	1.7	1.7	1.8	1.7
Struck capacity (§)	m ³	1.1	1.2	1.0	1.1	1.1	1.2	1.1
	yd ³	1.4	1.5	1.3	1.5	1.4	1.5	1.5
Width	mm ft/in	2401 7'10.5"	2401 7'10.5"	2424 7'11.4"	2424 7'11.4"	2424 7'11.4"	2424 7'11.4"	2434 7'11.8"
Dump clearance at full lift and 45° discharge (§)	mm ft/in	2921 9'7"	2886 9'6"	2977 9'9"	2942 9'8"	2930 9'7"	2895 9'6"	2942 9'8"
Reach at full lift and 45° discharge (§)	mm ft/in	787 2'7"	823 2'8"	757 2'6"	792 2'7"	779 2'7"	814 2'8"	792 2'7"
Reach at 45° discharge and 2130 mm (7 ft) clearance (§)	mm ft/in	1426 4'8"	1443 4'9"	1351 4'5"	1368 4'6"	1375 4'6"	1390 4'7"	1380 4'6"
Reach with lift arms horizontal and bucket level	mm ft/in	2151 7'1"	2201 7'3"	2090 6'10"	2140 7'0"	2139 7'0"	2189 7'2"	2140 7'0"
Digging depth (§)	mm in	174 6.9"	174 6.9"	155 6.1"	155 6.1"	174 6.9"	174 6.9"	155 6.1"
Overall length	mm ft/in	6424 21'1"	6474 21'3"	6506 21'4"	6556 21'6"	6524 21'5"	6574 21'7"	6554 21'6"
Overall height with bucket at full raise (§)	mm ft/in	4802 15'9"	4855 15'11"	4802 15'9"	4855 15'11"	4802 15'9"	4855 15'11"	4855 15'11"
Loader clearance circle with bucket in carry position	m ft/in	10.40 34'1"	10.42 34'2"	10.47 34'4"	10.50 34'5"	10.47 34'4"	10.50 34'5"	10.49 34'5"
Static tipping load straight* (§)	kg	5541	5495	5637	5589	5503	5456	5605
	lb	12,218	12,116	12,407	12,324	12,134	12,030	12,359
Static tipping load full 40° turn* (§)	kg	4792	4750	4882	4840	4754	4712	4855
	lb	10,566	10,474	10,765	10,672	10,483	10,390	10,705
Breakout force (§)	kg	7865	7435	8456	7965	7920	7481	7979
	lb	17,342	16,394	18,645	17,563	17,464	16,496	17,594
Operating weight*	kg	8032	8044	7990	8003	8063	8076	7990
	lb	17,771	17,737	17,618	17,647	17,779	17,808	17,618

*Static tipping and operating weights shown are for high-speed version IT14G and include lubricants, full fuel tank, ROPS cab, 80 kg (176 lb) operator, standard 250 kg (550 lb) counterweight and 17.5-R25 (L2 equivalent) tires.

NOTE: Specifications and ratings conform to all applicable standards recommended by the Society of Automotive Engineers (SAE). SAE Standards J732 and J742 govern loader rating, denoted in the text by (§).

IT14G Dimensions with Bucket

All dimensions are approximate.



	mm	ft/in
1	3100	10'2"
2	2255	7'5"
3	2080	6'10"
4	620	2'0"
5	1658	5'5"
6	1300	4'3"
7	2600	8'6"
8	374	1'3"
9	3565	11'8"
10	3798	12'6"

◆ Dimensions vary with bucket. Refer to Operating Specifications chart on previous page.

		Tread Width	Width over Tires	Ground Clearance	Change in Vertical Dimensions
15.5-25, 12PR (L-2)	mm	1800	2223	414	-42
	in	70.9	87.5	16.3	-1.7
17.5-R25 (L-2 equivalent)	mm	1800	2298	456	—
	in	70.9	90.5	18.0	—

914G/IT14G Compact Wheel Loader/Integrated Toolcarrier Specifications

IT14G Supplemental Specifications

	Change in Operating Weight		Change in Articulated Static Tipping Load	
	kg	lb	kg	lb
Air conditioner	+55	+121	+62	+137
Canopy, ROPS (less cab)	-122	-269	-89	-196
Ride control	+28	+62	+5	+11
Power train guard	+17	+37	+15	+33
Secondary steering	+30	+66	+38	+84
Tires and rims, 15.5-25, 12PR (L-2)	-140	-309	-84	-185
Tires and rims, 15.5-25, 12PR (L-3)	-76	-168	-46	-101
Tires and rims, 17.5-25, 12PR (L-2)	-40	-88	-21	-46
Tires and rims, 17.5-25, 12PR (L-3)	+32	+71	+17	+37
Tires and rims, 17.5-25, R25 (L-3 equivalent)	+100	+220	+54	+119
Tires and rims, 17.5-25, R25 (L-2/L-3 equivalent)	+76	+168	+41	+90

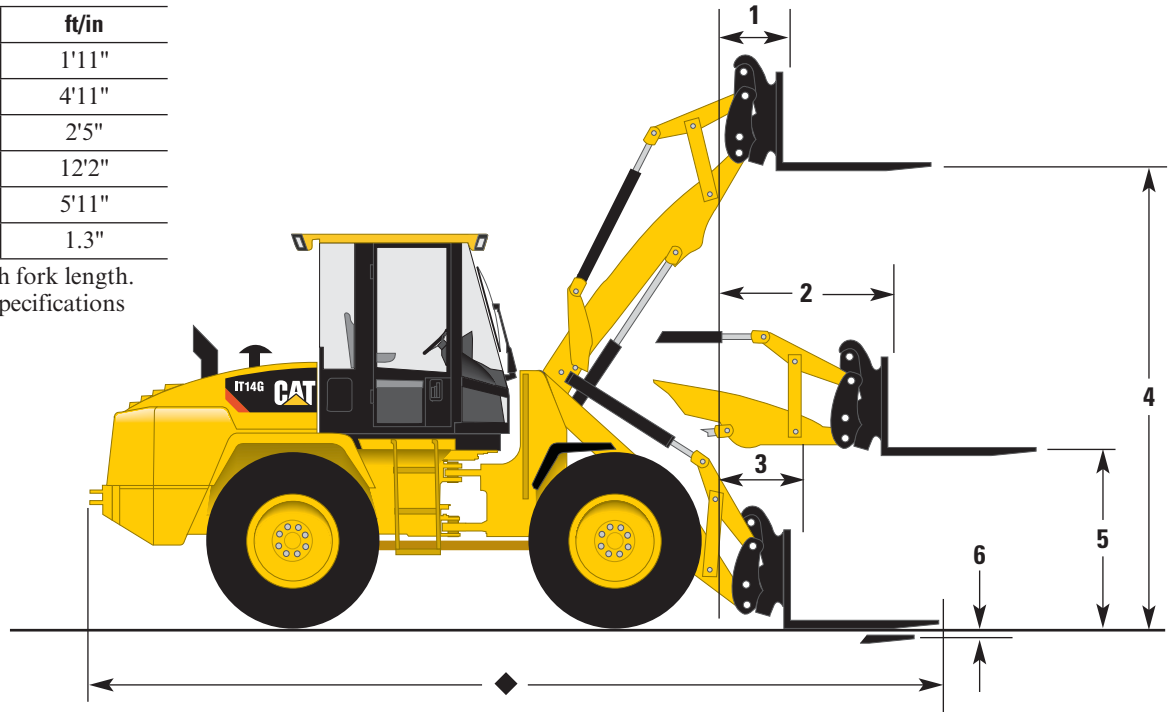
Static tipping load changes are for an IT14G with lubricants, full fuel tank, ROPS cab, 80 kg (176 lb) operator, standard 250 kg (550 lb) counterweight, 17.5-R25 L-2 equivalent tires and a 1.3 m³ (1.7 yd³) general purpose bucket with bolt-on cutting edge.

IT14G Dimensions with Forks

All dimensions are approximate.

	mm	ft/in
1	586	1'11"
2	1490	4'11"
3	745	2'5"
4	3708	12'2"
5	1808	5'11"
6	34	1.3"

- ◆ Dimensions vary with fork length. Refer to Operating Specifications chart below.



IT14G Operating Specifications with Forks

Fork Tine Length		1050 mm (3'5")	1200 mm (3'11")	1350 mm (4'5")
Operating load:				
Per SAE J1197 FEB91 (50% of full turn static tipping load)	kg lb	1927 4,249	1870 4,123	1810 3,991
Per CEN 474-3, rough terrain (60% of full turn static tipping load)	kg lb	2312 5,098	2244 4,948	2172 4,789
Per CEN 474-3, firm and level ground (80% of full turn static tipping load)	kg lb	3082 6,796	2992 6,597	2896 6,386
Overall length	mm ft/in	6723 22'1"	6873 22'7"	7023 23'1"
Load center	mm in	525 21"	600 24"	675 27"
Static tipping load with level arms and forks, 600 mm (23.6 in) load center, straight*	kg lb	4447 9,806	4309 9,501	4179 9,215
Static tipping load with level arms and forks, 600 mm (23.6 in) load center, full 40° turn*	kg lb	3853 8,496	3734 8,233	3620 7,982
Operating weight*	kg lb	7898 17,415	7915 17,453	7928 17,481

*Static tipping and operating weights shown are for an IT14G with lubricants, full fuel tank, ROPS cab, 80 kg (176 lb) operator, standard 250 kg (550 lb) counterweight and 17.5-R25 (L2 equivalent) tires.

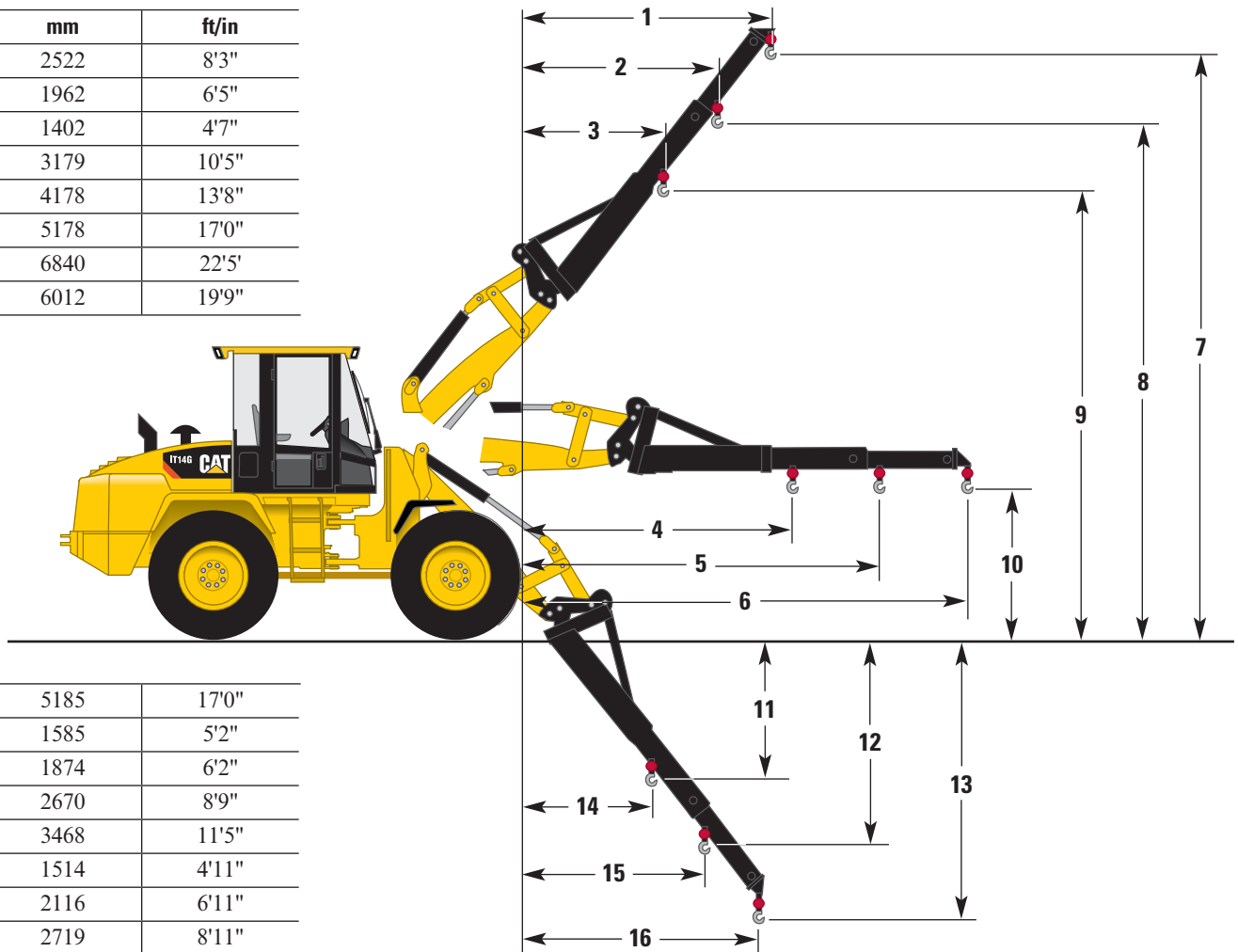
Tipping load is defined by SAE J732.

914G/IT14G Compact Wheel Loader/Integrated Toolcarrier Specifications

IT14G Dimensions with Material Handling Arm

All dimensions are approximate.

	mm	ft/in
1	2522	8'3"
2	1962	6'5"
3	1402	4'7"
4	3179	10'5"
5	4178	13'8"
6	5178	17'0"
7	6840	22'5"
8	6012	19'9"



9	5185	17'0"
10	1585	5'2"
11	1874	6'2"
12	2670	8'9"
13	3468	11'5"
14	1514	4'11"
15	2116	6'11"
16	2719	8'11"

IT14G Operating Specifications with Material Handling Arm

Material Handling Arm Position		Retracted	Mid-Position	Extended
Operating load at 40° full turn	kg	1370	1076	888
	lb	3,021	2,373	1,958
Static tipping load, straight*	kg	3158	2484	2051
	lb	6,963	5,477	4,522
Static tipping load, full 40° full turn*	kg	2740	2153	1777
	lb	6,042	4,747	3,918
Operating weight*	kg	7770	7770	7770
	lb	17,133	17,133	17,133

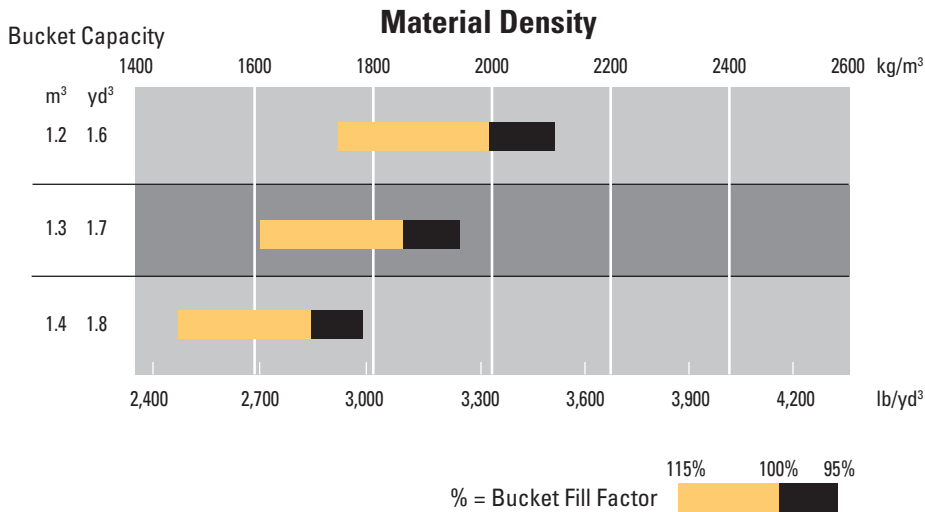
*Static tipping and operating weights shown include lubricants, full fuel tank, ROPS cab, 80 kg (176 lb) operator, standard 250 kg (550 lb) counterweight and 17.5-R25 (L2 equivalent) tires.

NOTE: Machine stability and operating weights are affected by tire size, tire ballast and other attachments.

Typical Material Densities – Loose

	kg/m ³	lb/yd ³		kg/m ³	lb/yd ³
Basalt	1960	3,305	Gypsum		
Bauxite, Kaolin	1420	2,394	broken	1810	3,052
Clay			crushed	1600	2,698
natural bed	1660	2,799	Limestone		
dry	1480	2,495	broken	1540	2,596
wet	1660	2,799	crushed	1540	2,596
Clay and gravel			Sand		
dry	1420	2,394	dry, loose	1420	2,394
wet	1540	2,596	damp	1690	2,849
Decomposed rock			wet	1840	3,102
75% rock, 25% earth	1960	3,305	Sand and clay		
50% rock, 50% earth	1720	2,900	loose	1600	2,698
25% rock, 75% earth	1570	2,647	Sand and gravel		
Earth			dry	1720	2,900
dry, packed	1510	2,546	wet	2020	3,416
wet, excavated	1600	2,698	Sandstone	1510	2,546
Granite			Shale	1250	2,107
broken	1660	2,799	Slag		
Gravel			broken	1750	2,950
pitrun	1930	3,254	Stone		
dry	1510	2,546	crushed	1600	2,698
dry, 6-50 mm (0.2-2 in)	1690	2,849			
wet, 6-50 mm (0.2-2 in)	2020	3,406			

IT14G Bucket Size Selector



914G/IT14G Standard Equipment

Standard equipment may vary. Consult your Cat dealer for details.

ELECTRICAL

24V direct electric starting
Alarm, back-up
Alternator, 80-ampere
Batteries, two 900 CCA maintenance free
Battery disconnect switch
Glow plug starting aid
Horn, front, warning (electrical)
Ignition key start/stop switch
Lighting system: brake lights, interior light, turn signals (front and rear), halogen working lights (front and rear)
Power receptacles; internal and external

LOADER

Linkage, sealed Z-bar design loader (914G only)
Linkage, 8-bar parallel lift linkage with sealed pins (IT14G only)
Bucket/fork positioner, automatic
Lift kickout, automatic
Lift/tilt kickout neutralizer

HYDRAULICS

Hydraulic control, pilot-operated implement, single lever, 2 valve
Hydraulics, third function (standard on IT14G only)
Hydraulic oil cooler, tiltable
Hydraulic diagnostic connectors
S·O·SSM port – hydraulic oil
Standard hydraulic oil cooler
Steering, hydraulic

OPERATOR ENVIRONMENT

Bucket control, single lever, pilot
Cab, ROPS (sound suppressed and pressurized)
• Adjustable steering column
• Cigar lighter
• Cup holder
• Ground level door release
• Heater/defroster
• Rearview mirrors, inside (2)
• Storage space, lockable
• Seat, adjustable fabric suspension
• Retractable seat belt
• Tinted safety glass
• Two doors
• Wiper and washer (front and rear), front intermittent
Defroster, rear window, wired glass
Indicators:
• Air cleaner
• Air filter
• Brake charge pressure
• Engine oil pressure
• Electrical system voltage
• Hystat oil filter bypass
• Parking brake
• Primary steering
Instrumentation:
• Battery voltage gauge
• Engine coolant temperature gauge
• Fuel level gauge
• Digital hour meter
• Hydraulic oil level sight gauge
• Hydraulic oil temperature gauge
Single lever transmission control

POWER TRAIN

Air cleaner, radial seal
Antifreeze (protected to –36° C/–33° F)
Extended life coolant antifreeze
Brakes, Service – inboard, oil-immersed, enclosed, wet-disc full hydraulic
Brakes, Parking – mechanical on drive line, secondary
Differentials, conventional (front and rear)
Driveshaft, lubed for life
Electric fuel pump
Engine: Cat C4.4 diesel, turbocharged, EU Stage II and U.S. EPA Tier 2 emission compliant
Engine enclosure, lockable
Muffler
Radiator, serviceable unit core
Radiator expansion bottle
S·O·SSM port – engine oil
Suction fan
Transmission, hydrostatic

OTHER

Counterweight (IT14G with quick coupler only)
Fenders (front/rear)
Hitch, drawbar
Pressure test points
Vandalism protection-locked service points

Optional equipment may vary. Consult your Cat dealer for details.

ELECTRICAL

Electrical Accessories Package
(12V converter, accessory plug outlet, wiring)
Lighting, auxiliary front: 2 additional
cab-mounted halogen working lights
Machine Security System
Rotating beacon, magnetic

HYDRAULICS

Drain valves, ecological
Hydraulic third and fourth valves
(third valve standard on IT14G)
Hydraulic quick disconnects (IT14G only)
Steering, secondary

OPERATOR ENVIRONMENT

Air conditioner (R-134a refrigerant)
Canopy, ROPS
Mirrors, two external
Radio prep package (12V) includes
speakers, antenna, converter and mounts
(radio not included)
Ride Control System
Seats:

- Heated, fabric, with parking brake alarm
- Cat Comfort Series, fabric, air suspension

Sliding door window
Speedometer
Sun screen, rear window
Sun visor

POWER TRAIN

Antifreeze (protected to $-50^{\circ}\text{C}/-58^{\circ}\text{F}$)
Creeper control, transmission
Differential, Limited Slip
(front and/or rear axle)
Engine air filter precleaner, cyclone
Engine Speed Control (ESC)
Forward/Neutral/Reverse (FNR) remote
transmission control
Starting aid, engine block heater, 120V

OTHER

Bottom guard, hystat
Counterweight, 150 kg/330 lb (914G only)
Fenders, roading
Guard, windshield (optional 914G only)
Ground engaging tools, bucket
Low sound package
Quick coupler (standard on IT14G)
Tires:

- Bias ply, 15.5×25 and 17.5×25
- Radial, $17.5 \times \text{R25}$

Tire rims, 1- and 3-piece
Tool box, lockable
Tool kit

914G/IT14G Compact Wheel Loader/Integrated Toolcarrier

For more complete information on Cat products, dealer services, and industry solutions, visit us on the web at www.cat.com

© 2012 Caterpillar Inc.
All rights reserved

Materials and specifications are subject to change without notice. Featured machines in photos may include additional equipment. See your Cat dealer for available options.

CAT, CATERPILLAR, SAFETY.CAT.COM, their respective logos, "Caterpillar Yellow" and the "Power Edge" trade dress, as well as corporate and product identity used herein, are trademarks of Caterpillar and may not be used without permission.

AEHQ6065-01 (01-2012)
Replaces AEHQ6065

