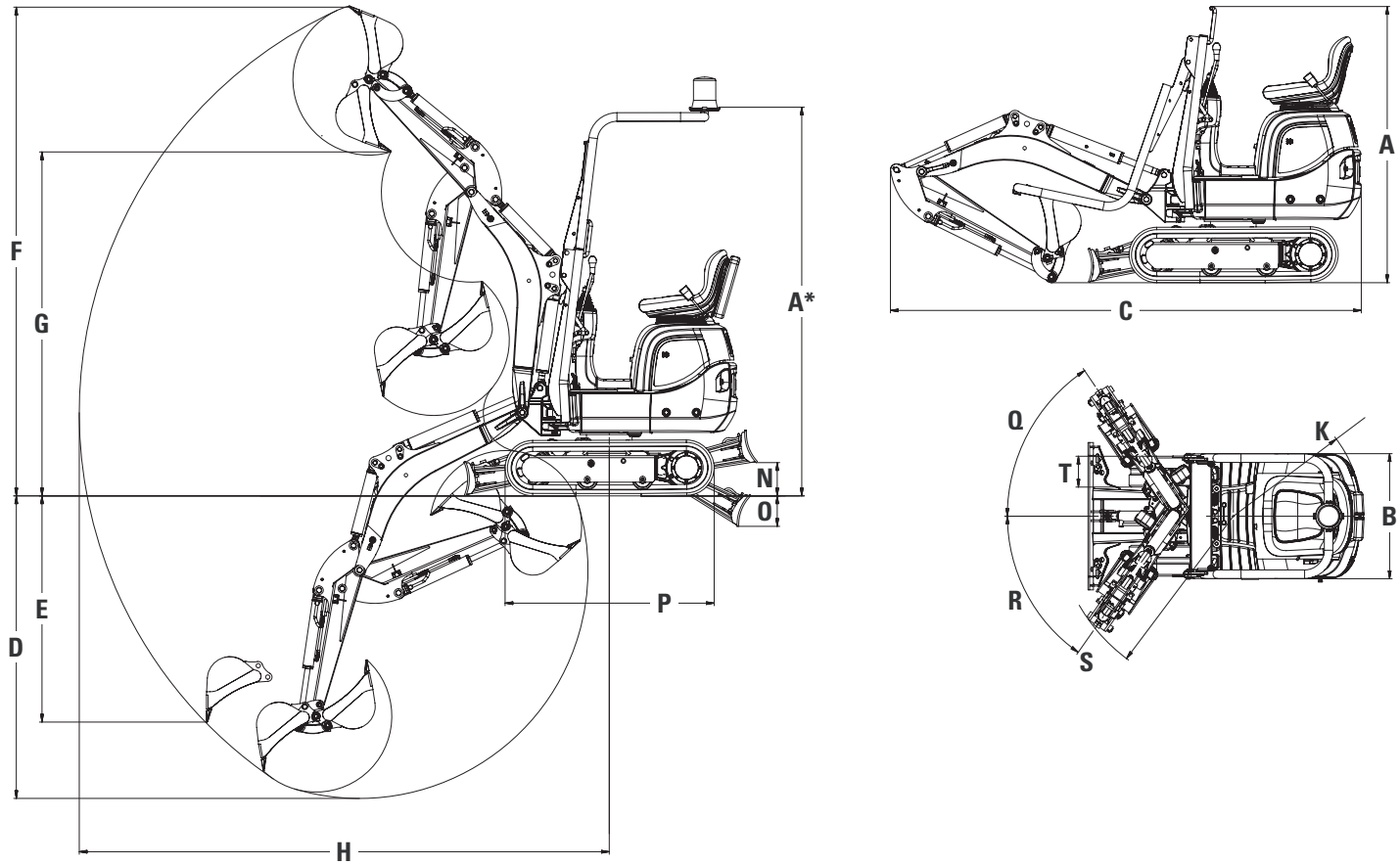


300.9D Mini Hydraulic Excavator

Dimensions

All dimensions are approximate



A	Height	1507 mm	4 ft 11 in
A*	Height	2276 mm	7 ft 6 in
B	Width	730 mm	2 ft 5 in
	Undercarriage width – Retracted	700 mm	2 ft 4 in
	Undercarriage width – Extended	860 mm	2 ft 10 in
C	Transport length (arm lowered)	2746 mm	9 ft 0 in
D	Maximum digging depth	1731 mm	5 ft 8 in
E	Maximum vertical dig depth	1349 mm	4 ft 5 in
F	Maximum dig height	2863 mm	9 ft 5 in
G	Maximum dump height	2035 mm	6 ft 8 in
H	Maximum reach	3074 mm	10 ft 1 in
	Maximum reach at ground level	3028 mm	9 ft 11 in
K	Tail swing radius	747 mm	2 ft 5 in
N	Maximum dozer lift height	197 mm	8 in
O	Maximum dozer dig depth	174 mm	7 in
P	Length of undercarriage	1220 mm	4 ft 0 in
Q	Boom swing angle (Right)		56°
R	Boom swing angle (Left)		55°
S	Minimum front linkage swing radius	1150 mm	3 ft 9 in
T	Track width	180 mm	7 in