



# Cat<sup>®</sup> 287C

## MULTI TERRAIN LOADER

### FEATURES:

The Cat<sup>®</sup> 287C Multi Terrain Loader, with its vertical lift design, delivers extended reach and lift height for quick and easy truck loading. Its suspended undercarriage system provides superior traction, flotation and the ability to work in a wide range of underfoot conditions. The 287C features the following:

- **Sealed and pressurized cab option** provides a cleaner and quieter operating environment.
- **Seat mounted adjustable joystick controls and available air ride seat** make the C-Series the industry leader in operator comfort.
- **High performance power train** provides high engine horsepower and torque. Electronic Torque Management and standard foot throttle allow the machine to be operated at part throttle for lower sound levels and fuel consumption.
- **High Flow XPS hydraulic system** is available for applications that demand maximum hydraulic work tool performance.
- **Single level and dual level suspension undercarriages** are available on the 287C.
- **Easy routine maintenance** helps reduce machine downtime for greater productivity.
- **Caterpillar's broad range of performance matched work tools** make the Cat Multi Terrain Loader the most versatile machine on the jobsite.

## Specifications

### Engine

Engine Model	Cat <sup>®</sup> C3.4 DIT	
Gross Power SAE J1995	63 kW	84 hp
Net Power SAE 1349	61 kW	82 hp
Displacement	3.3 L	201 in <sup>3</sup>
Stroke	120 mm	4.7 in
Bore	94 mm	3.7 in

### Weights

Operating Weight	4517 kg	9,958 lb
------------------	---------	----------

### Power Train

Travel Speed (Forward or Reverse):		
One Speed	9.0 kph	5.6 mph
Two Speed Option	14.9 kph	9.3 mph

### Hydraulic System

Hydraulic Flow – Standard:		
Loader Hydraulic Pressure	23 000 kPa	3,335 psi
Loader Hydraulic Flow	84 L/min	22 gal/min
Hydraulic Power	31.9 kW	42.8 hp
Hydraulic Flow – High Flow XPS:		
Max. Loader Hydraulic Pressure	28 000 kPa	4,061 psi
Max. Loader Hydraulic Flow	125 L/min	33 gal/min

### Operating Specifications

Rated Operating Capacity:		
35% Tipping Load	1229 kg	2,709 lb
50% Tipping Load	1724 kg	3,800 lb
Rated Operating Capacity with Optional Counterweight		
Tipping Load	3512 kg	7,743 lb
Breakout Force, Tilt Cylinder	3315 kg	7,308 lb
Ground Contact Area	1.64 m <sup>2</sup>	2,542 in <sup>2</sup>
Ground Pressure	26.9 kPa	3.9 psi

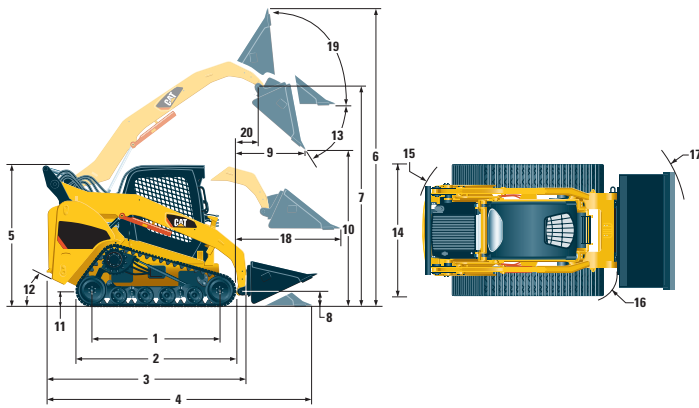
### Cab

ROPS	SAE J1040 MAY94, ISO 3471:1994
FOPS	SAE J1043 SEPT87, ISO 3449:1992 Level I
FOPS Level II	SAE J231 JAN81, ISO 3449:1992 Level II

### Service Refill Capacities

Cooling System	14 L	3.7 gal
Engine Crankcase	10 L	2.6 gal
Fuel Tank	98 L	26 gal
Hydraulic System	57 L	15 gal
Hydraulic Tank	42 L	11 gal

# 287C Multi Terrain Loader



## Dimensions

1 Length of Track on Ground	1808 mm	71.2 in
2 Overall Length of Track	2286 mm	90.0 in
3 Length w/o Bucket	2973 mm	117.2 in
4 Length w/Bucket on Ground	3692 mm	145.4 in
5 Height to Top of Cab	2115 mm	83.2 in
6 Max. Overall Height	4075 mm	160.4 in
7 Bucket Pin Height at Max. Lift	3233 mm	127.3 in
8 Bucket Pin Height at Carry Position	200 mm	7.8 in
9 Reach at Max. Lift and Dump	784 mm	30.9 in
10 Clearance at Max. Lift and Dump	2450 mm	96.5 in
11 Ground Clearance	225 mm	8.8 in
12 Departure Angle	42°	
13 Maximum Dump Angle	50°	
14 Vehicle Width	1981 mm	78.0 in
15 Turning Radius from Center – Machine Rear	1627 mm	64.0 in
16 Turning Radius from Center – Coupler	1487 mm	58.5 in
17 Turning Radius from Center – Bucket	2330 mm	91.7 in
18 Max. Reach w/Arms Parallel to Ground	1285 mm	50.6 in
19 Rack Back Angle at Max. Height	85°	
20 Bucket Pin Reach at Max. Lift	375 mm	14.7 in

## MANDATORY EQUIPMENT

- Hydraulics, Standard or High Flow XPS
- Quick Coupler, Mechanical or Hydraulic
- Seat Belt, 50 mm (2 in) or 75 mm (3 in)

### COMFORT PACKAGE (must select one of the following)

- Open ROPS (C1): *Cup Holder, Radio Ready, Suspension Seat, (No Heater or Door)*
- Enclosed ROPS with Heat (C2): *Cup Holder, Radio Ready, Seat (choice of Suspension or Air Ride), Heater and Defroster, Side Windows, Door (either Glass or Polycarbonate)*
- Enclosed ROPS with A/C (C3): *C2 + Air Conditioner*

### PERFORMANCE PACKAGE (must select one of the following)

- Performance Package 1: *Single Level Suspension Undercarriage, One Speed*
- Performance Package 2: *Dual Level Suspension Undercarriage, One Speed, Self Level*
- Performance Package 3: *Dual Level Suspension Undercarriage, Two Speed, Self Level, Advanced Machine Information and Control System (AMICS)*

## STANDARD EQUIPMENT

### ELECTRICAL

- 12 volt Electrical System
- 90 ampere Alternator
- Ignition Key Start/Stop Switch
- Lights: *Gauge Backlighting, Two Rear Tail Lights, Two Rear Working Lights, Two Adjustable Front Halogen Lights, Dome Light*
- Backup Alarm
- Heavy Duty Battery, 850 CCA

### OPERATOR ENVIRONMENT

- Gauges: *Fuel Level, Hour Meter*
- Operator Warning System Indicators: *Air Filter Restriction, Alternator Output, Armrest Raised/Operator Out of Seat, Engine Coolant Temperature, Engine Oil Pressure, Glow Plug Activation, Hydraulic Filter Restriction, Hydraulic Oil Temperature, Park Brake Engages*
- Vinyl Seat
- Fold in Ergonomic Contoured Armrest
- Control Interlock System, when operator leaves seat or armrest raised: *Hydraulic System Disables, Hydrostatic Transmission Disables, Parking Brake Engages*
- ROPS Cab, Open, Tilt Up
- FOPS, Level I
- Top and Rear Windows
- Headliner, Deluxe
- Floor Mat
- Interior Rear View Mirror
- 12 volt Electric Socket
- Horn

### POWER TRAIN

- Cat® C3.4 DIT Tier 3 Compliant Diesel Engine
- Air Cleaner, Dual Element, Radial Seal
- S-O-S<sup>SM</sup> Sampling Valves, Engine Oil and Hydraulic Oil
- Filters, Spin-on, Hydraulic
- Filters, Bayonet-type, Fuel and Water Separator
- Tilt Up Radiator/Hydraulic Oil Cooler
- Spring Applied, Hydraulically Released, Wet Multi Disc Parking Brakes
- Hydrostatic Transmission

### OTHER

- Engine Enclosure, Lockable
- Extended Life Antifreeze, -37° C (-34° F)
- Machine Tie Down Points (4)
- Support, Lift Arm
- Hydraulic Oil Level Sight Gauge
- Radiator Coolant Level Sight Gauge
- Radiator, Expansion Bottle
- Caterpillar ToughGuard™ Hose
- Auxiliary, Hydraulics, Continuous Flow
- Heavy Duty, Flat Faced Quick Disconnects
- Split D-Ring to Route Work Tool Hoses Along Side of Left Lift Arm
- Electrical Outlet, Beacon
- Belly Pan Cleanout

## OPTIONAL ATTACHMENTS

- Counterweight
- Beacon, Rotating
- Engine Block Heater – 120V or 240V
- Oil, Hydraulic, Cold Operation
- Paint, Custom

For more complete information on Cat products, dealer services, and industry solutions, visit us on the web at [www.cat.com](http://www.cat.com)

AEHQ5863-01 (5-08)

© 2008 Caterpillar  
All Rights Reserved  
Printed in U.S.A.

Materials and specifications are subject to change without notice. Featured machines in photos may include additional equipment. See your Caterpillar dealer for available options.

CAT, CATERPILLAR, their respective logos, "Caterpillar Yellow" and the POWER EDGE trade dress, as well as corporate and product identity used herein, are trademarks of Caterpillar and may not be used without permission.

**CATERPILLAR®**