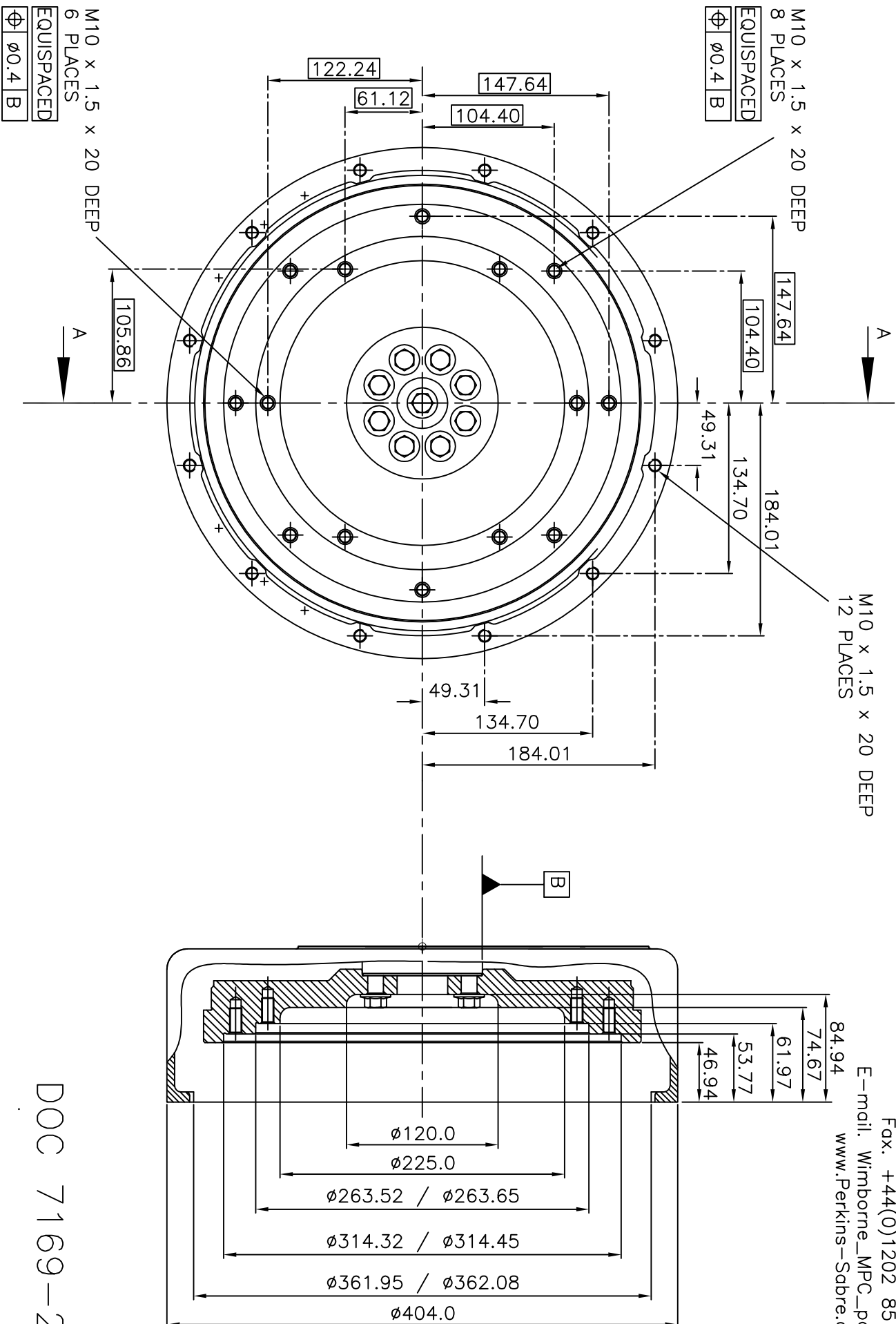


Interface details between SAE4 flywheel housing and flywheel with No 8 and No 10 clutch facings.

M10 x 1.5 x 20 DEEP  
12 PLACES

M10 x 1.5 x 20 DEEP  
8 PLACES  
EQUISPACED  
Ø0.4 B



E-mail: [Wimborne\\_MPC\\_post@cat.com](mailto:Wimborne_MPC_post@cat.com)  
www.Perkins-Sabre.com

CATERPILLAR MARINE POWER UK LTD  
Wimborne, Dorset, England.  
Tel. +44(0)1202 893720  
Fax. +44(0)1202 851700

DOC 7169-2-00