



# Cat<sup>®</sup> 232D

## SKID STEER LOADER

### FEATURES:

The Cat<sup>®</sup> 232D Skid Steer Loader, with its vertical lift design, delivers extended reach and lift height for quick and easy truck loading. Its stability and lifting performance provides excellent material handling. The 232D features the following:

- **Industry leading sealed and pressurized cab option** provides a cleaner and quieter operating environment with excellent work tool visibility.
- **Available high-back, heated, air ride seat with seat mounted adjustable joystick controls** makes the D Series the industry leader in operator comfort.
- **High performance power train** provides maximum performance and production capability through the Electronic Torque Management system, optional two speed travel and an electronic hand/foot throttle with decel pedal capability.
- **High Flow hydraulic system** is available for applications that demand maximum hydraulic work tool performance.
- **Mechanically controlled Cat C2.2 engine** provides high horsepower and torque, allowing partial-throttle operation for lower sound levels and fuel consumption.
- **Cat "Intelligent Leveling" system (ILEV)** provides industry leading technology, integration and optional features such as dual direction self level, work tool return to dig and work tool positioner.
- **Speed Sensitive Ride Control option** improves operation on rough terrain, enabling better load retention, increased productivity and greater operator comfort.
- **Maximize machine capability and control** with optional Advanced Display providing on-screen adjustments for implement response, hystat response and creep control. Also features multi-language functionality with customizable layouts, security system and rearview camera.
- **Ground level access** to all daily service and routine maintenance points helps reduce machine downtime for greater productivity.
- **Broad range of performance matched Cat Work Tools** make the Cat Skid Steer Loader the most versatile machine on the job site.

## Specifications

### Engine

Engine Model	Cat C2.2	
Gross Power SAE J1995	44.9 kW	60.2 hp
Net Power SAE 1349	44.0 kW	58.9 hp
Net Power ISO 9249	44.4 kW	59.6 hp
Peak Torque at 1,500 rpm SAE J1995	183 N·m	135 lbf·ft
Displacement	2.2 L	134.3 in <sup>3</sup>
Stroke	100 mm	3.9 in
Bore	84 mm	3.3 in

### Weights\*

Operating Weight	2818 kg	6,213 lb
------------------	---------	----------

### Power Train

Travel Speed (Forward or Reverse):		
One Speed	12.3 km/h	7.6 mph
Two Speed Option	17.8 km/h	11.1 mph

### Operating Specifications\*

Rated Operating Capacity	839 kg	1,850 lb
Rated Operating Capacity with Optional Counterweight	885 kg	1,950 lb
Tipping Load	1679 kg	3,700 lb
Breakout Force, Tilt Cylinder	1807 kg	3,984 lb

### Hydraulic System

Hydraulic Flow – Standard:			
Loader Hydraulic Pressure	23 000 kPa	3,336 psi	
Loader Hydraulic Flow	69 L/min	18 gal/min	
Hydraulic Power (calculated)	26.5 kW	35.5 hp	
Hydraulic Flow – High Flow:			
Maximum Loader Hydraulic Pressure	23 000 kPa	3,336 psi	
Maximum Loader Hydraulic Flow	99 L/min	26 gal/min	
Hydraulic Power (calculated)	38.0 kW	50.9 hp	

### Cab

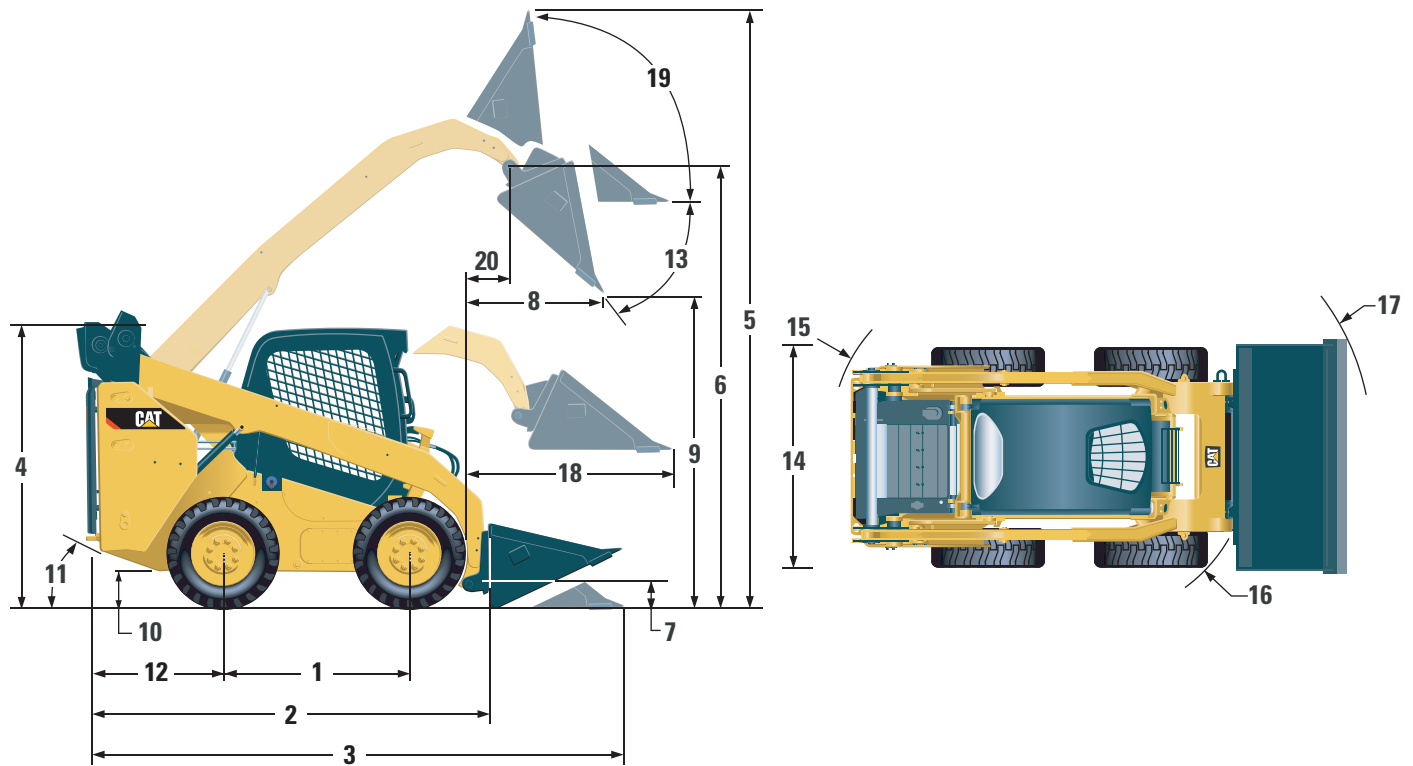
ROPS	ISO 3471:2008
FOPS	ISO 3449:2005 Level I
FOPS Level II	ISO 3449:2005 Level II

### Service Refill Capacities

Chain Box, each side	7 L	1.8 gal
Cooling System	12 L	3.2 gal
Engine Crankcase	10 L	2.6 gal
Fuel Tank	57 L	15.1 gal
Hydraulic System	45 L	11.9 gal
Hydraulic Tank	34 L	9.0 gal



# 232D Skid Steer Loader



## Dimensions\*

1	Wheelbase	1054 mm	41.5 in
2	Length without Bucket	2523 mm	99.3 in
3	Length with Bucket on Ground	3233 mm	127.3 in
4	Height to Top of Cab	2029 mm	79.9 in
5	Maximum Overall Height	3832 mm	150.9 in
6	Bucket Pin Height at Maximum Lift	3001 mm	118.1 in
7	Bucket Pin Height at Carry Position	214 mm	8.4 in
8	Reach at Maximum Lift and Dump	653 mm	25.7 in
9	Clearance at Maximum Lift and Dump	2254 mm	88.7 in
10	Ground Clearance	170 mm	6.7 in
11	Departure Angle		27.9°
12	Bumper Overhang behind Rear Axle	894 mm	35.2 in
13	Maximum Dump Angle		47.4°
14	Vehicle Width over Tires	1497 mm	58.9 in
15	Turning Radius from Center - Machine Rear	1513 mm	59.6 in
16	Turning Radius from Center - Coupler	1102 mm	43.4 in
17	Turning Radius from Center - Bucket	1976 mm	77.8 in
18	Maximum Reach with Arms Parallel to Ground	1249 mm	49.2 in
19	Rack Back Angle at Maximum Height		88.2°
20	Bucket Pin Reach at Maximum Lift	224 mm	8.8 in

\*Operating Weight, Operating Specifications and Dimensions all based on 75 kg (165 lb) operator, all fluids, single speed, 1524 mm (60 in) dirt bucket, **Cat 10 x 16.5 tires**, standard flow hydraulics, C0 cab (ROPS, static seat), 880 CCA battery, manual quick coupler, no self level and no optional counterweights (unless otherwise noted).

## MANDATORY EQUIPMENT

---

- Hydraulics, Standard or High Flow
- Quick Coupler, Mechanical or Electric
- Seat Belt, 50 mm (2 in) or 75 mm (3 in)
- Power Train: One Speed, One Speed with Ride Control, Two Speed or Two Speed with Ride Control
- Tires, 10 × 16.5

### PERFORMANCE PACKAGE *(must select one of the following)*

- Performance Package H1: *Standard Flow Hydraulics (No Self Level)*
- Performance Package H2: *Standard Flow Hydraulics, Dual Direction Electronic Self Level (Raise and Lower), Electronic Snubbing (Raise and Lower)*
- Performance Package H3: *High Flow Hydraulics, Dual Direction Electronic Self Level (Raise and Lower), Electronic Snubbing (Raise and Lower)*

## STANDARD EQUIPMENT

---

### ELECTRICAL

- 12 volt Electrical System
- 80 ampere Alternator
- Ignition Key Start/Stop Switch
- Lights: *Gauge Backlighting, Two Rear Tail Lights, Two Adjustable Front and Rear Halogen Lights, Dome Light*
- Backup Alarm
- Heavy Duty Battery, 880 CCA

### OPERATOR ENVIRONMENT

- Gauges: *Fuel Level, Hour Meter*
- Operator Warning System Indicators: *Air Filter Restriction, Alternator Output, Armrest Raised/Operator Out of Seat, Engine Coolant Temperature, Engine Oil Pressure, Glow Plug Activation, Hydraulic Filter Restriction, Hydraulic Oil Temperature, Parking Brake Engaged*
- Adjustable Vinyl Seat
- Fold In Ergonomic Contoured Armrest
- Control Interlock System, when operator leaves seat or armrest raised: *Hydraulic System Disables, Hydrostatic Transmission Disables, Parking Brake Engages*
- ROPS Cab, Open, Tilt Up
- FOPS, Level I
- Top and Rear Windows
- Floor Mat
- Interior Rearview Mirror
- 12 volt Electric Socket
- Horn
- Hand (Dial) Throttle, Electronic
- Adjustable Joystick Controls
- Anti-theft Security System with 6-button Keypad
- Storage Compartment with Netting

## OPTIONAL ATTACHMENTS

---

- External Counterweights
- Beacon, Rotating
- Engine Block Heater – 120V
- Oil, Hydraulic, Cold Operation
- Paint, Custom
- Product Link™, Cellular

### COMFORT PACKAGE *(must select one of the following)*

- Open ROPS (C0): *Static Seat (No Foot Throttle, Headliner, Heater or Door)*
- Open ROPS (C1): *Foot Throttle, Headliner, Cup Holder, and choice of Seat (Mechanical Suspension or High Back, Heated, Air Ride Seat) (No Heater or Door)*
- Enclosed ROPS with Heater (C2): *Foot Throttle, Headliner, Heater and Defroster, Side Windows, Cup Holder, Radio Ready, choice of Seat (Mechanical Suspension or High Back, Heated, Air Ride Seat) and Door (Glass or Polycarbonate)*
- Enclosed ROPS with A/C (C3): *C2 + Air Conditioner*

### POWER TRAIN

- Cat C2.2, Turbo Diesel Engine
- Air Cleaner, Dual Element, Radial Seal
- S-O-S<sup>SM</sup> Sampling Valve, Hydraulic Oil
- Filters, Cartridge-type, Hydraulic
- Filters, Cartridge-type, Fuel and Water Separator
- Radiator/Hydraulic Oil Cooler (side-by-side)
- Spring Applied, Hydraulically Released Parking Brakes
- Hydrostatic Transmission
- Four Wheel Chain Drive

### OTHER

- Engine Enclosure, Lockable
- Extended Life Antifreeze, –36° C (–33° F)
- Machine Tie Down Points (6)
- Support, Lift Arm
- Hydraulic Oil Level Sight Gauge
- Radiator Coolant Level Sight Gauge
- Radiator, Expansion Bottle
- Cat ToughGuard™ Hose
- Auxiliary, Hydraulics, Continuous Flow
- Heavy Duty, Flat Faced Quick Disconnects with Integrated Pressure Release
- Split D-Ring to Route Work Tool Hoses Along Side of Left Lift Arm
- Electrical Outlet, Beacon
- Belly Pan Cleanout
- Variable Speed Demand Fan

# 232D Skid Steer Loader

---

For more complete information on Cat products, dealer services, and industry solutions, visit us on the web at [www.cat.com](http://www.cat.com)

© 2015 Caterpillar  
All rights reserved

Materials and specifications are subject to change without notice. Featured machines in photos may include additional equipment. See your Cat dealer for available options.

CAT, CATERPILLAR, SAFETY.CAT.COM, their respective logos, "Caterpillar Yellow" and the "Power Edge" trade dress, as well as corporate and product identity used herein, are trademarks of Caterpillar and may not be used without permission.

AEHQ7503 (06-2015)  
(LRC)

