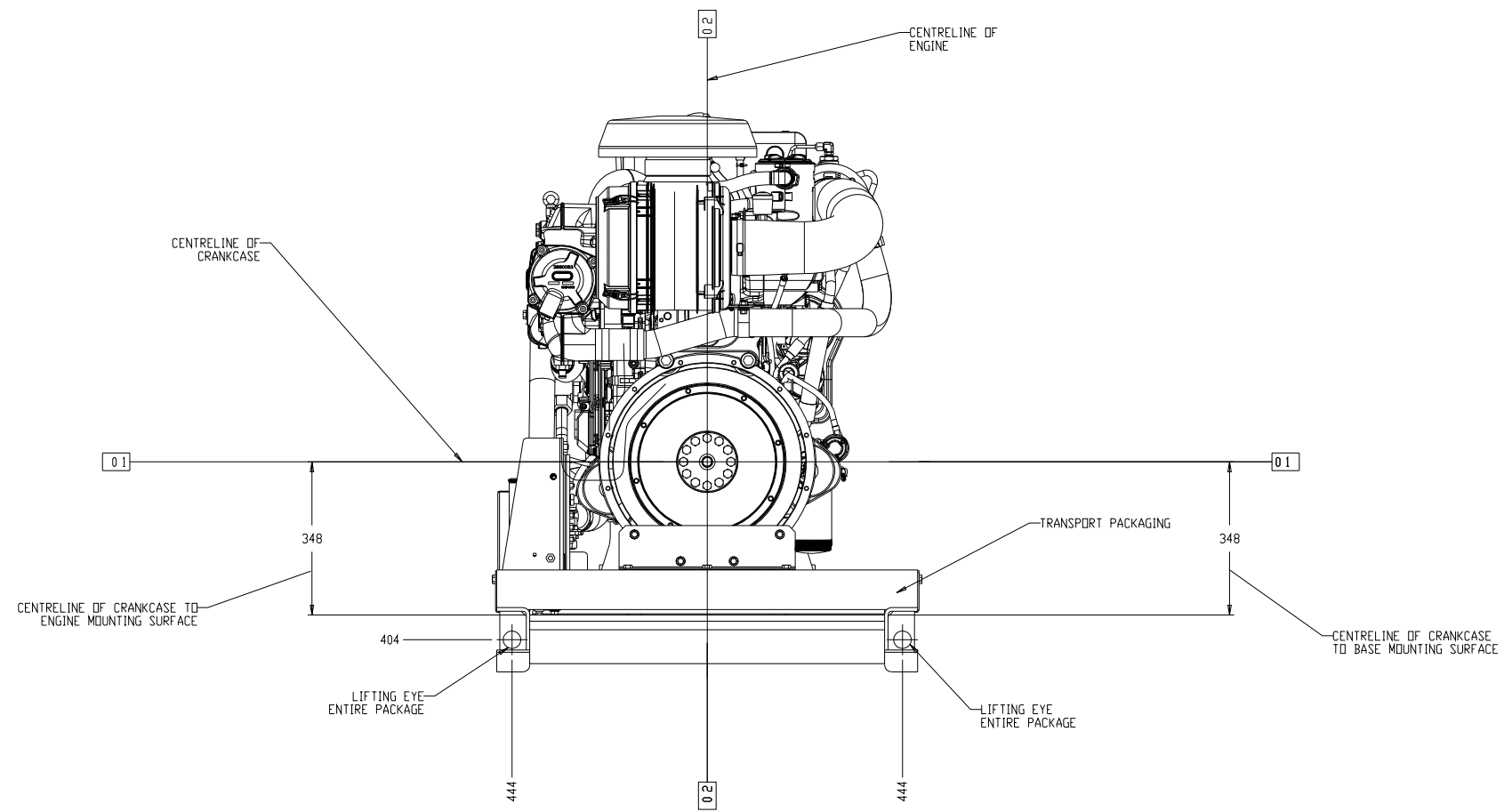


E70M 1206 MARINE AUXILLARY ENGINE
 FITTED WITH HEAT EXCHANGER
 RIGHT SIDE VIEW

REV	DESCRIPTION	DATE
1	1E2722A DRAWING	
2	1E0013Y CONFIDENTIALITY	
3	1E0198P LETTERS	
4	1E0507C IDENT	
5	1E0012A INTERPRETATION	
6	1E2966B IDENT	
7	1E0011 INTRP & TOL	
8	PERKINS: CONFIDENTIAL YELLOW	
9		
10		
11		
12		
13		
14		
15		
16		
17		
18		
19		
20		
21		
22		
23		
24		
25		
26		
27		
28		
29		
30		
31		
32		
33		
34		
35		
36		
37		
38		
39		
40		
41		
42		
43		
44		
45		
46		
47		
48		
49		
50		
51		
52		
53		
54		
55		
56		
57		
58		
59		
60		
61		
62		
63		
64		
65		
66		
67		
68		
69		
70		
71		
72		
73		
74		
75		
76		
77		
78		
79		
80		
81		
82		
83		
84		
85		
86		
87		
88		
89		
90		
91		
92		
93		
94		
95		
96		
97		
98		
99		
100		



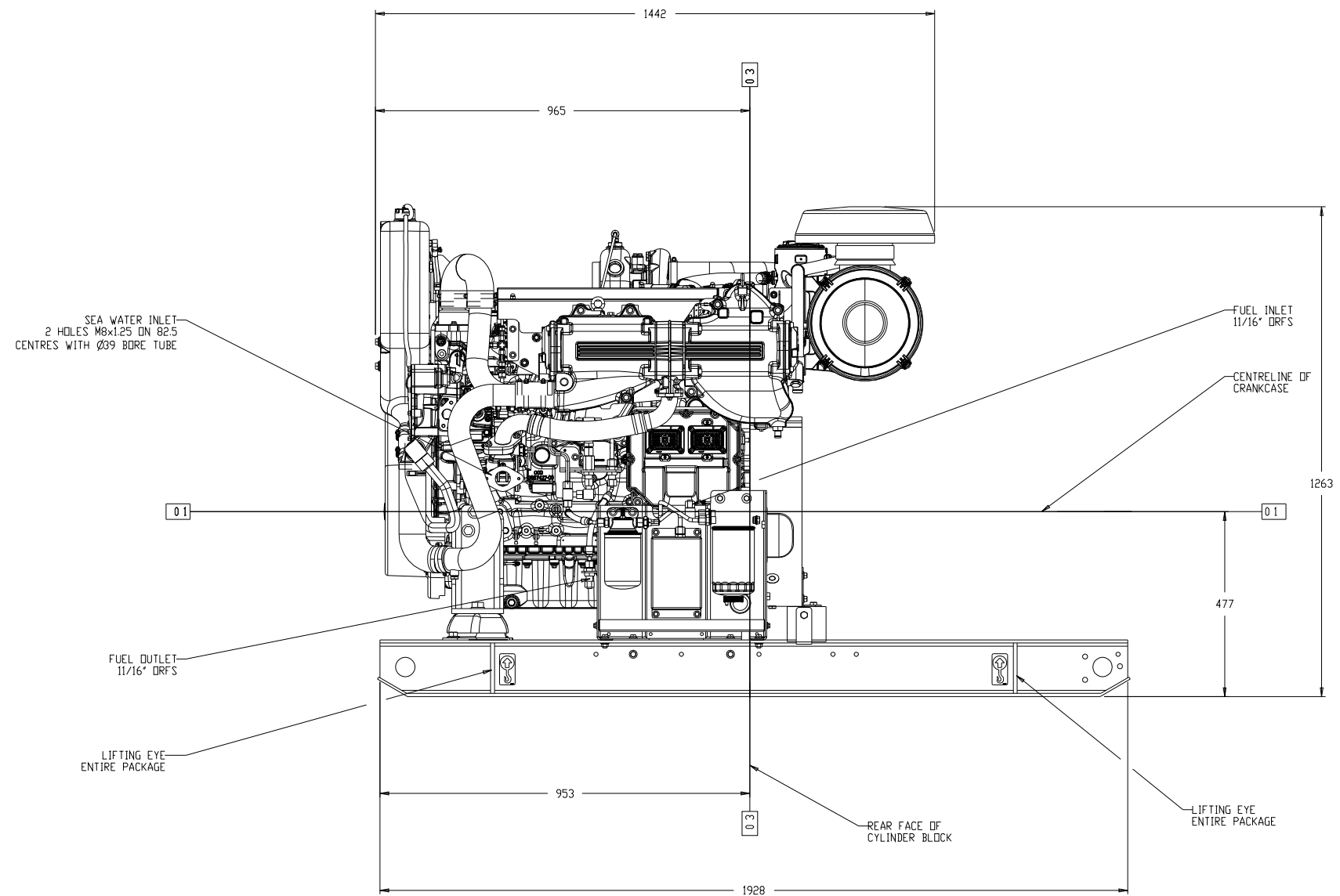
INSTALLATION
 E70M 1206-HEX
 462-8665



E70M 1206 MARINE AUXILLARY ENGINE
FITTED WITH HEAT EXCHANGER
FRONT VIEW

REV				
1	1E2722A	DRAWING		
2	1E0013Y	CONFIDENTIALITY		
3	1E0198P	LETTERS		
4	1E0507C	IDENT		
5	1E0012A	INTERPRETATION		
6	1E2966B	IDENT		
7	1E0011	INTRP & TOL		
8	PERKINS: CONFIDENTIAL YELLOW			
<input type="checkbox"/> PROD <input checked="" type="checkbox"/> OTHER				
UNLESS OTHERWISE SPECIFIED		VERSION	PRIMARY	<input checked="" type="checkbox"/>
DIMENSIONS ARE IN mm		TYPE	SECONDARY	<input type="checkbox"/>
DIMENSIONS W/CD TOL ARE BASIC				
THIRD ANGLE PROJECTION		SHEET	2	OF 5
		DATE	1	WS15
PERKINS: CONFIDENTIAL YELLOW INSTALLATION E70M 1206-HEX 462-8665				
	VER	CHG	AT	00

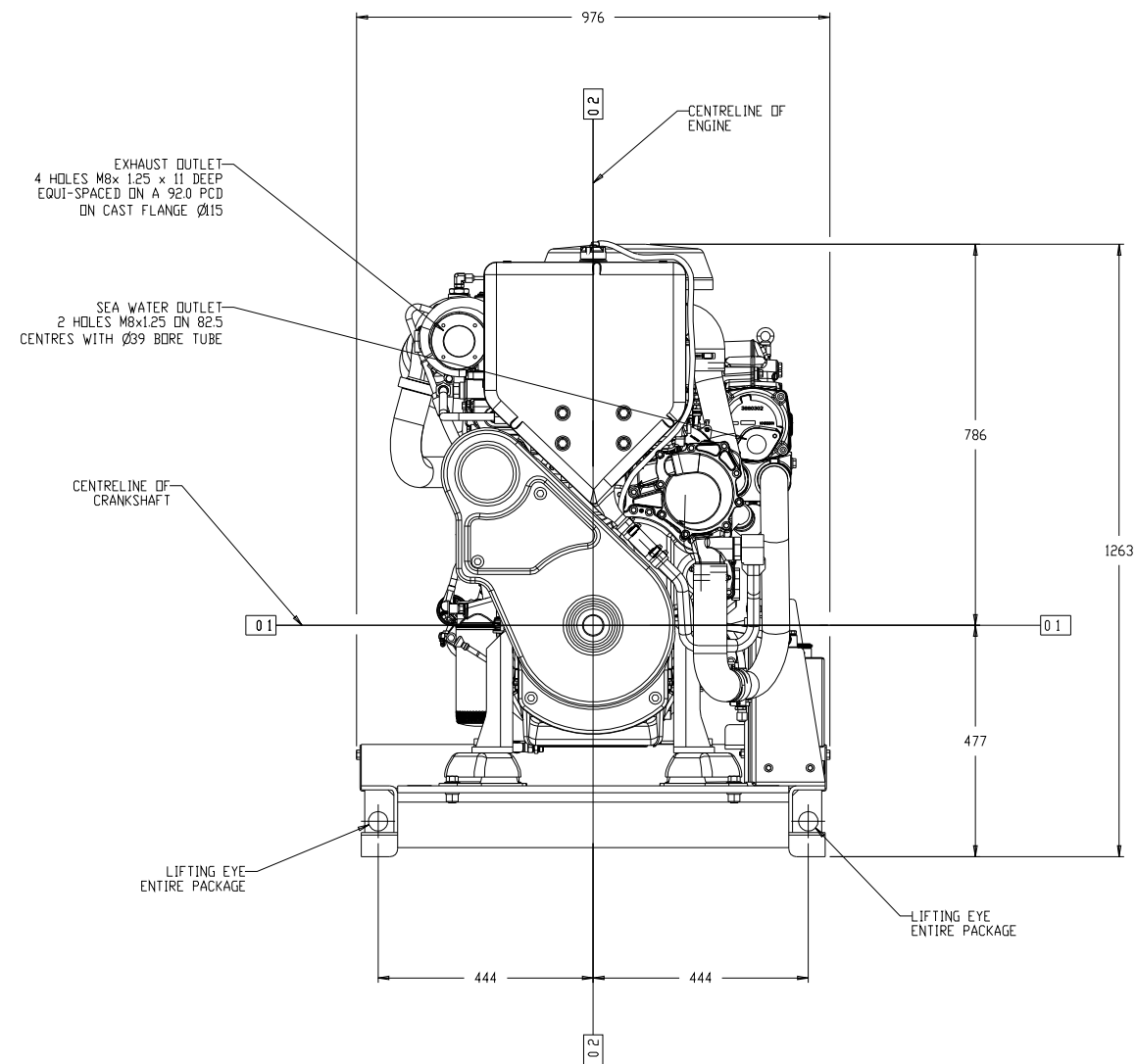
FOR NOTES SEE SHEET 1



E70M 1206 MARINE AUXILLARY ENGINE
FITTED WITH HEAT EXCHANGER
RIGHT SIDE VIEW

REV	DESCRIPTION	DATE
1E2722A	DRAWING	
1E0013Y	CONFIDENTIALITY	
1E0198P	LETTERS	
1E0507C	IDENT	
1E0012A	INTERPRETATION	
1E2966B	IDENT	
1E0011	INTRP & TOL	
PERKINS:	CONFIDENTIAL YELLOW	
PROJ	<input checked="" type="checkbox"/> OTHER	
UNLESS OTHERWISE SPECIFIED	VERSION	PRIMARY
DIMENSIONS ARE IN mm	TYPE	SECONDARY
DIMENSIONS W/O TOL ARE BASIC		
THIRD ANGLE PROJECTION	SHEET 3 OF 5	WS15
INSTALLATION E70M 1206-HEX 462-8665		
VER	CHG	AT
	00	E

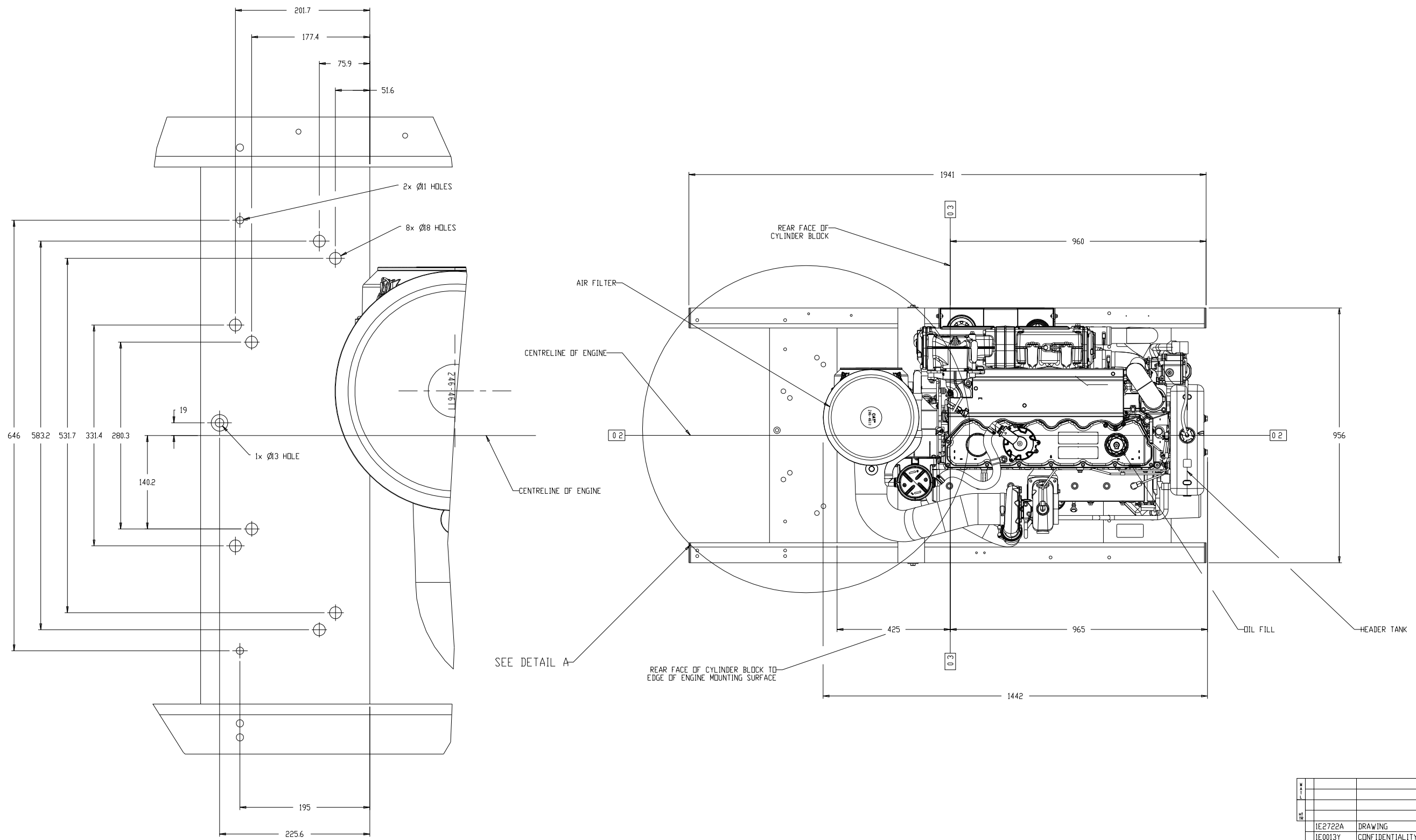
FOR NOTES SEE SHEET 1



E70M 1206 MARINE AUXILLARY ENGINE
FITTED WITH HEAT EXCHANGER
REAR VIEW

REV	DESCRIPTION	DATE
1E2722A	DRAWING	
1E0013Y	CONFIDENTIALITY	
1E0198P	LETTERS	
1E0507C	IDENT	
1E0012A	INTERPRETATION	
1E2966B	IDENT	
1E0011	INTRP & TOL	
PERKINS:	CONFIDENTIAL YELLOW	
PROJ	<input checked="" type="checkbox"/> OTHER	
UNLESS OTHERWISE SPECIFIED	VERSION	PRIMARY
DIMENSIONS ARE IN mm	TYPE	SECONDARY
DIMENSIONS W/CD TOL ARE BASIC		
THIRD ANGLE PROJECTION	SHEET 4 OF 5	WS15
INSTALLATION E70M 1206-HEX 462-8665		
VER	CHG	AT 00

FOR NOTES SEE SHEET 1



BASE MOUNTING HOLES
DETAIL A
SCALE 1:2

E70M 1206 MARINE AUXILLARY ENGINE
FITTED WITH HEAT EXCHANGER
TOP VIEW

REV	DESCRIPTION	DATE
1	1E2722A DRAWING	
2	1E0013Y CONFIDENTIALITY	
3	1E0198P LETTERS	
4	1E0507C IDENT	
5	1E0012A INTERPRETATION	
6	1E2966B IDENT	
7	1E0011 INTRP & TOL	
8	PERKINS: CONFIDENTIAL YELLOW	
PROD <input checked="" type="checkbox"/> OTHER		
UNLESS OTHERWISE SPECIFIED DIMENSIONS ARE IN mm		
DIMENSIONS W/O TOL ARE BASIC		
THIRD ANGLE PROJECTION		
SHEET 5 OF 5		
CDR/MS W515		
Perkins		
INSTALLATION		
E70M 1206-HEX		
462-8665		
VER	CHG	
AT	00	E

FOR NOTES SEE SHEET 1