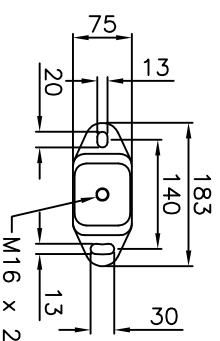
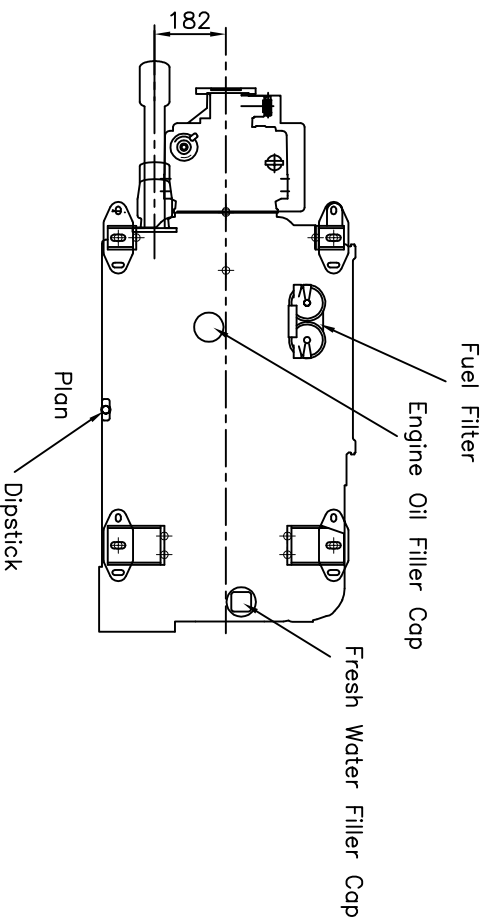
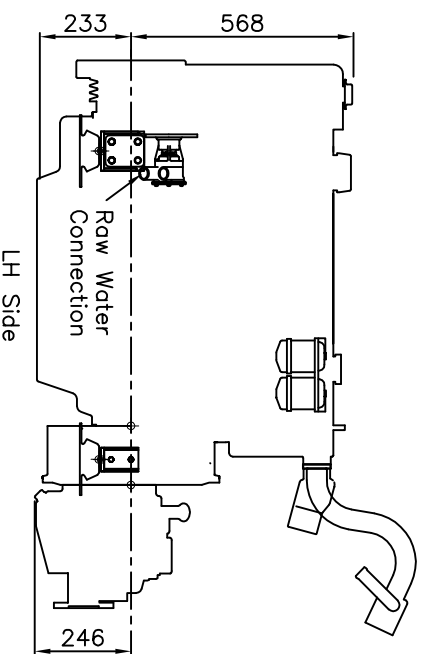
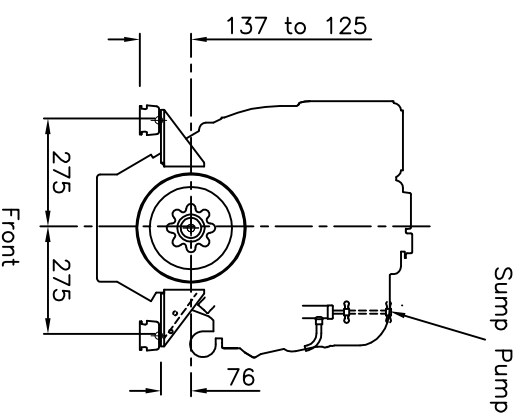
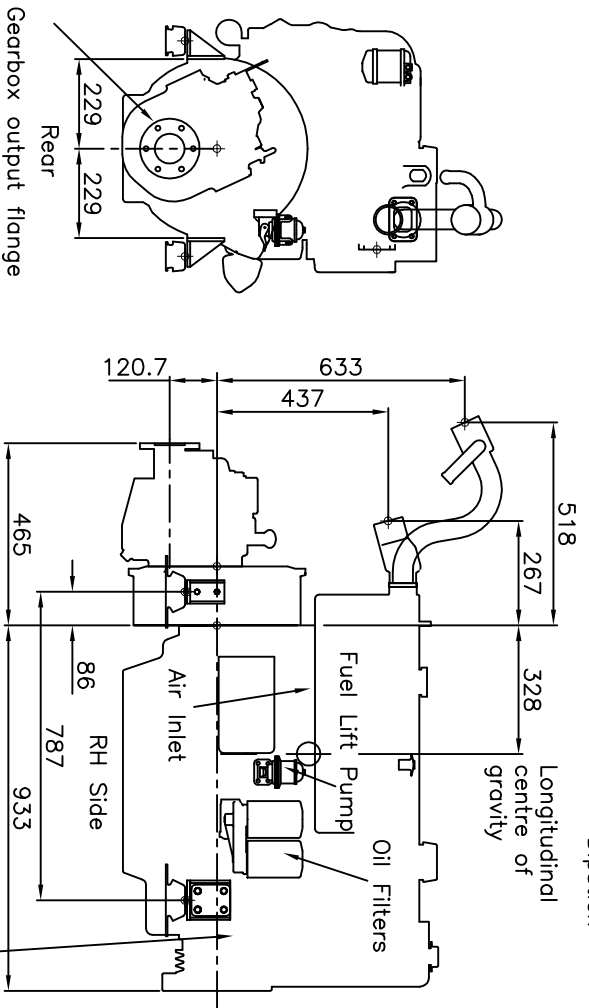


Perkins Sabre M130C and M135 Marine Diesel Engine shown with the PRM 500D gearbox (Ratios up to and including 2:1) (550mm transverse mounting centres)

CATERPILLAR MARINE POWER UK LTD
 Wimborne, Dorset, England.
 Tel. +44(0)1202 893720
 Fax. +44(0)1202 851700
 E-mail. Wimborne_MPC_post@cat.com
 www.Perkins-Sabre.com



Flexible Engine Mount
FLEXIBLE ENGINE MOUNT
 Weights on each mount
 Front 160kg
 Rear 176kg
 Total Wet Weight 672kg



Gearbox output flange
 152.4 OD, 6 holes ϕ 13.0
 equispaced on a 120.6 PCD
 Femle location ϕ 76.175/ ϕ 76.225

Electrical Connection
 to Instrument Panel

Doc No. 7039-3-00