



# Cat<sup>®</sup> TH514C

TELEHANDLER

## Specifications

### Engine

Model	Cat <sup>®</sup> C3.4B*
Gross Power (ISO 14396)	75 kW/101 hp
Maximum Torque	420 N·m/1,400 rpm
Bore	99 mm
Stroke	110 mm
Displacement	3.4 L

\*Meets EU Stage IIIB Emission Standards.

### Weights

Operating Weight with Carriage and Forks	11 290 kg
--	-----------

### Operating Specifications

Rated Load Capacity	4999 kg
Maximum Lift Height	
Stabilizers Up	13 300 mm
Stabilizers Down	13 700 mm
Maximum Forward Reach	9225 mm
Top Travel Speed	32.0 km/h
Load at Maximum Height	
Stabilizers Up	1500 kg
Stabilizers Down	3500 kg
Load at Maximum Reach	
Stabilizers Up	600 kg
Stabilizers Down	1600 kg
Outside Turning Radius Over Tires	3920 mm
Drawbar Pull 74.5 kW	96.4 kN

### Service Refill Capacities

Fuel Tank	150 L
Hydraulic Tank	90 L

### Tires

Standard 14.00-24 16PR TG-02
------------------------------

### Brakes

Service Brakes	Servo assisted on front axle
Parking Brakes	Mechanical on front axle

### Hydraulic System

Maximum System Pressure	250 bar
Maximum Pump Flow	150 L/min
Pump Type	Variable displacement load sensing axial piston pump
Auxiliary Hydraulic Supply	
Intermittent	80 L/min
Continuous	60 L/min

### Transmission Speeds

Forward	
1	5.8 km/h
2	10.8 km/h
3	24.5 km/h
4	32 km/h
Reverse	
1	5.5 km/h
2	10.8 km/h
3	24 km/h

### Boom Performance

Boom Up	13.7 seconds
Boom Down	14.6 seconds
Tele In	19.1 seconds
Tele Out	16.6 seconds
Crowd Forward (dump)	4.8 seconds
Crowd Backward	4.7 seconds
Combined	
Up and Out	28.0 seconds
Down and In	19.0 seconds
Bucket Breakout Force to ISO 8313	95 kN
Boom Breakout Force	63 kN

### Sound

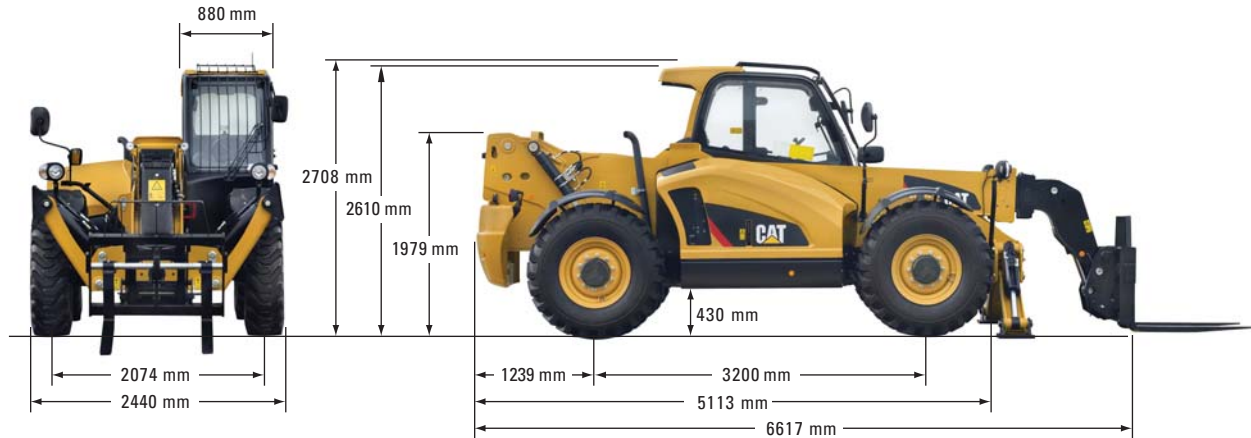
Exterior Sound (75 kW Engine)	106 dB(A)
Interior Sound	78 dB(A)



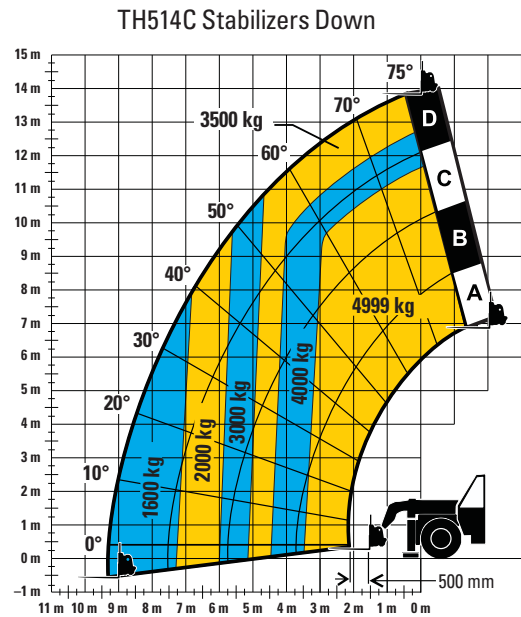
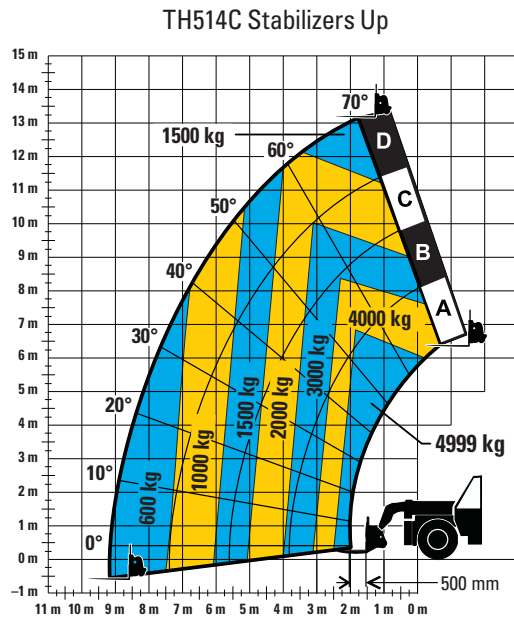
# TH514C Telehandler

## Dimensions

All dimensions are approximate.



## Load Chart and Dimensions



### IMPORTANT

Rated lift capacities shown are with machine equipped with carriage and pallet forks. The machine must be level on a firm surface with undamaged, properly inflated tires. Machine specifications and stability are based on rated lift capacities at specific boom angles and boom lengths. (If specifications are critical, the proposed application should be discussed with your dealer.)

DO NOT exceed rated lift capacity loads, as unstable and dangerous machine conditions will result.

DO NOT tip the machine forward to determine the allowable load.

*Due to continuous product improvements, machine specifications and/or equipment changes may be made without prior notification.*

For more complete information on Cat products, dealer services, and industry solutions, visit us on the web at [www.cat.com](http://www.cat.com)

© 2013 Caterpillar Inc.  
All Rights Reserved  
Printed in U.S.A.

Materials and specifications are subject to change without notice. Featured machines in photos may include additional equipment. See your Cat dealer for available options.

CAT, CATERPILLAR, SAFETY.CAT.COM, their respective logos, "Caterpillar Yellow" and the "Power Edge" trade dress, as well as corporate and product identity used herein, are trademarks of Caterpillar and may not be used without permission.

AEHQ7028-01 (11-13)  
Replaces AEHQ7028

