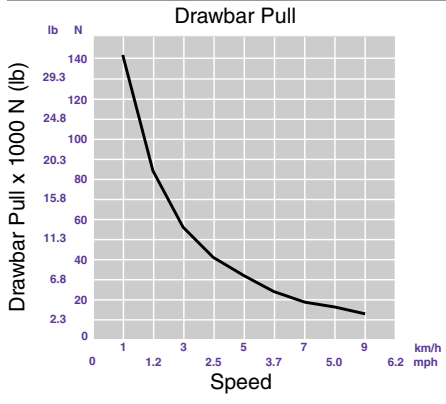


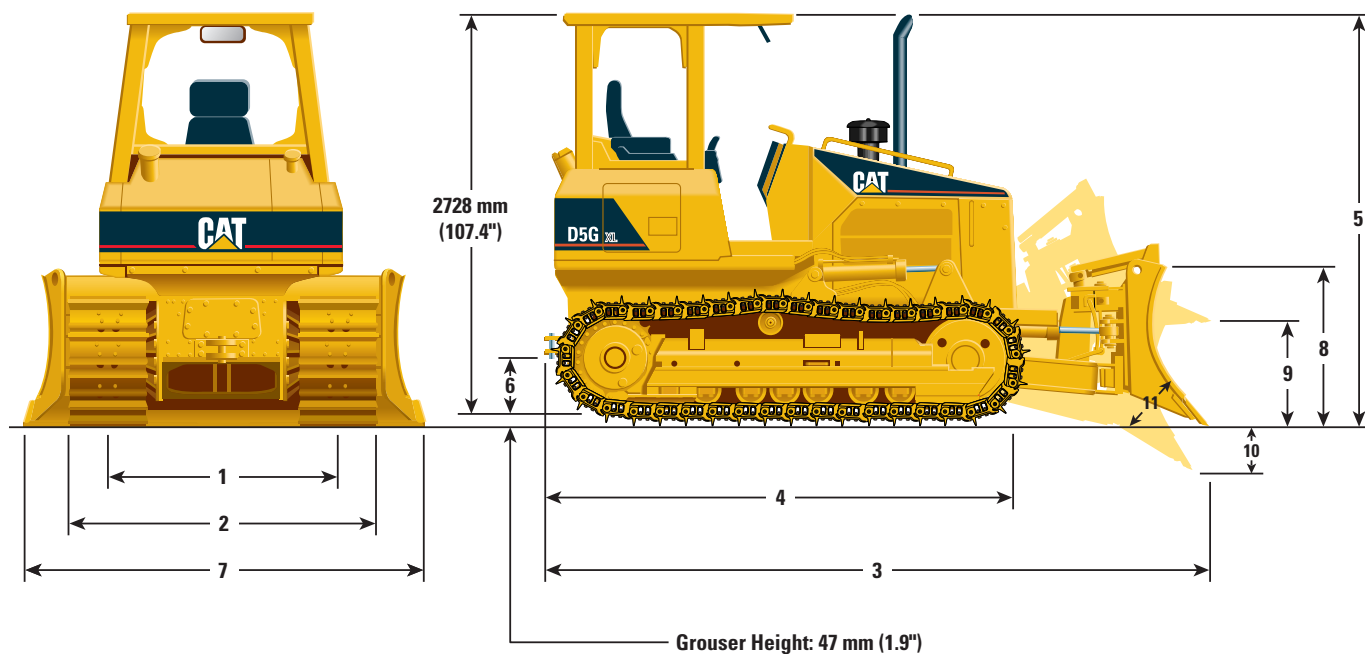
D5G Track-Type Tractor



D5G Track-Type Tractor

Dimensions

All dimensions are approximate.



	XL	LGP
1 Track gauge	1549 mm (61")	1727 mm (68")
2 Width of tractor (std shoes, no blade)	2059 mm (81.1")	2387 mm (94.0")
3 Overall length (w/blade)	4336 mm (170.7")	4252 mm (167.4")
4 Length of basic tractor (w/o blade)	3184 mm (125.4")	3184 mm (125.4")
5 Tractor height	2775 mm (109.3")	2775 mm (109.3")
6 Ground clearance	384 mm (15.1")	384 mm (15.1")

BLADE		XL	Intermediate	LGP
7 Blade width		2690 mm (105.9")	2921 mm (115")	3254 mm (128.1")
8 Blade height		1101 mm (43.3")	1028 mm (40.5")	1028 mm (40.5")
9 Blade lift height		760 mm (29.9")	789 mm (31.1")	789 mm (31.1")
10 Digging depth		630 mm (24.8")	582 mm (22.9")	582 mm (22.9")
11 Blade cutting edge angle, adjustable		50° to 55°	50° to 55°	50° to 55°
	Maximum tilt	390 mm (15.3")	423 mm (16.7")	471 mm (18.5")
	Maximum angle (either side)	25°	25°	25°
	Blade width at maximum angle	2456 mm (96.7")	2666 mm (105")	2970 mm (116.9")
	Blade capacity (SAE)	2.19 m ³ (2.86 yd ³)	2.09 m ³ (2.73 yd ³)	2.34 m ³ (3.06 yd ³)

D5G Track-Type Tractor

Optional Equipment (with approximate change in operating weight)

Optional equipment may vary. Consult your Caterpillar dealer for specifics.

	kg	lb		kg	lb
Air cleaner, turbine	-0.45	-1	Radiator grid, sandblast	12	27
Batteries, heavy duty, 12-volt, maintenance free, two 900 cca	29	63	Ripper, parallelogram, includes three shanks and teeth	563	1241
Blade, variable pitch, power angling & tilt			Screens		
XL, 2.19 m ³ (2.86 yd ³), 106" width	683	1506	Front and door, for use with ROPS canopy	91	200
Intermediate, 2.09 m ³ (2.73 yd ³), 115" width	627	1383	Rear, for use with ROPS canopy	23	51
LGP, 2.34 m ³ (3.06 yd ³), 128" width	686	1513	Rear, for use with ROPS cab	24	52
1.43 m ³ (1.87 yd ³), 97" width	503	1110	Side, for use with ROPS canopy	41	90
Cab, ROPS, includes air conditioner, comfort seat (cloth), 110 amp alternator	403	889	Side, for use with ROPS cab	46	102
Cab, ROPS, logging, includes screens and polycarbonate door windows, air conditioner, comfort seat (cloth), 110 amp alternator	606	1335	Seat, comfort, suspension, vinyl	9	20
Drawbar, towing	13	29	Sound suppression, exterior	16	35
Drive, auxiliary	11	23	Starting aid, ether	4	9
Fan, reversible	5	10	Sweeps, logging	133	293
Guards			Tracks		
Rock, idler	31	69	18" single grouser, sealed and lubricated track	-84	-185
Track roller	99	218	18" single grouser, Rotating Bushing Track	9	19
Heater, engine coolant	0.45	1	20" single grouser, Rotating Bushing Track	42	93
Heater, ROPS canopy	33	73	26" single grouser, Rotating Bushing Track	42	93
Hydraulic arrangement			Winch		
4-valve, 1-lever dozer control, for use with ripper	12	26	Installation, includes pump, lines, filter and control lever	69	152
4-valve, 1-lever dozer control, for use with winch	12	26	Winch, variable speed	610	1345
Lights			Fairlead (3-roller) for winch	120	265
ROPS, canopy, two front, one rear	4	8	4th roller kit for fairlead	17	38
ROPS, cab, two front, one rear	7	16			
Canopy (for use with sweeps)	7	15			
Cab (for use with sweeps)	8	18			