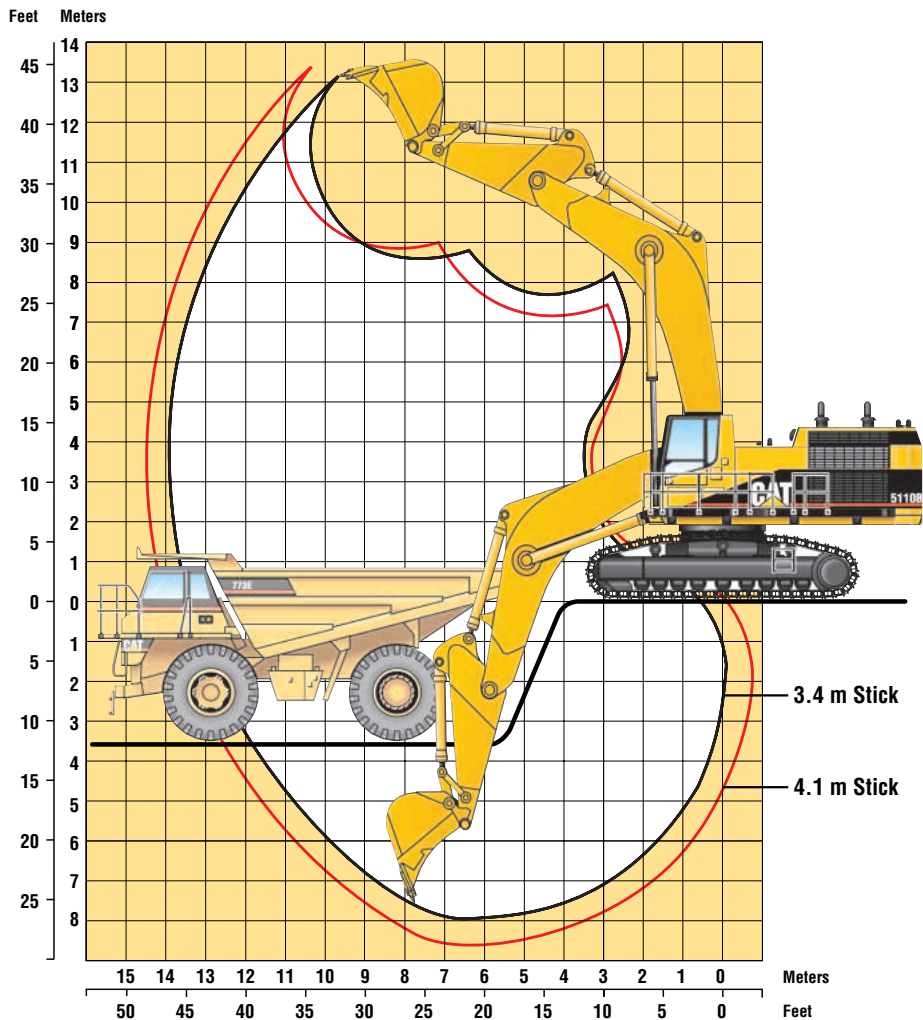


5110B Hydraulic Excavators

Working Ranges

Standard Undercarriage (ME) Configuration



Stick Length	3.4 m (11.2 ft)	4.1 m (13.5 ft)
Boom Length	7.6 m (24.9 ft)	7.6 m (24.9 ft)
Bucket Capacity	7.6 m³ (9.9 yd³)	6.2 m³ (8.1 yd³)
Maximum Reach	13.9 m (45.7 ft)	14.6 m (47.8 ft)
Maximum Reach at Ground Level	13.5 m (44.2 ft)	14.2 m (46.6 ft)
Maximum Digging Depth	7.9 m (25.9 ft)	8.6 m (28.2 ft)
Maximum Digging Height	13.2 m (43.2 ft)	13.5 m (44.1 ft)
Maximum Dumping Height	8.6 m (28 ft)	8.8 m (28.9 ft)
Bucket Digging Force (SAE)	501 kN (112,600 lb)	501 kN (112,600 lb)
Stick Digging Force (SAE)	439 kN (98,800 lb)	395 kN (88,800 lb)
Bucket Digging Force (ISO)	586 kN (131,700 lb)	585 kN (131,500 lb)
Stick Digging Force (ISO)	458 kN (103,000 lb)	407 kN (91,500 lb)

5110B Hydraulic Excavators

Bucket Capacities and Weights

	Capacity		Weight*		Width**		Teeth #	Material Density	
	m ³	yd ³	kg	lb	mm	in		mt/m ³	lb/yd ³
Heavy Duty Rock ¹	7.6	9.9	7570	16,700	2580	102	5	1.80	3030
Heavy Duty Rock ²	6.2	8.1	6730	14,800	2250	89	4	1.80	3030
Medium Duty ¹	8.6	11.2	6330	14,000	2540	100	6	1.65	2780
Medium Duty ²	7.4	9.7	6200	13,700	2060	81	5	1.75	2950
Coal ²	10.4	13.6	7230	15,900	3130	123	5	1.00	1680

* Weight with G.E.T.

** Width at cutting edge

¹ with 3.4 m (11.2 ft) stick

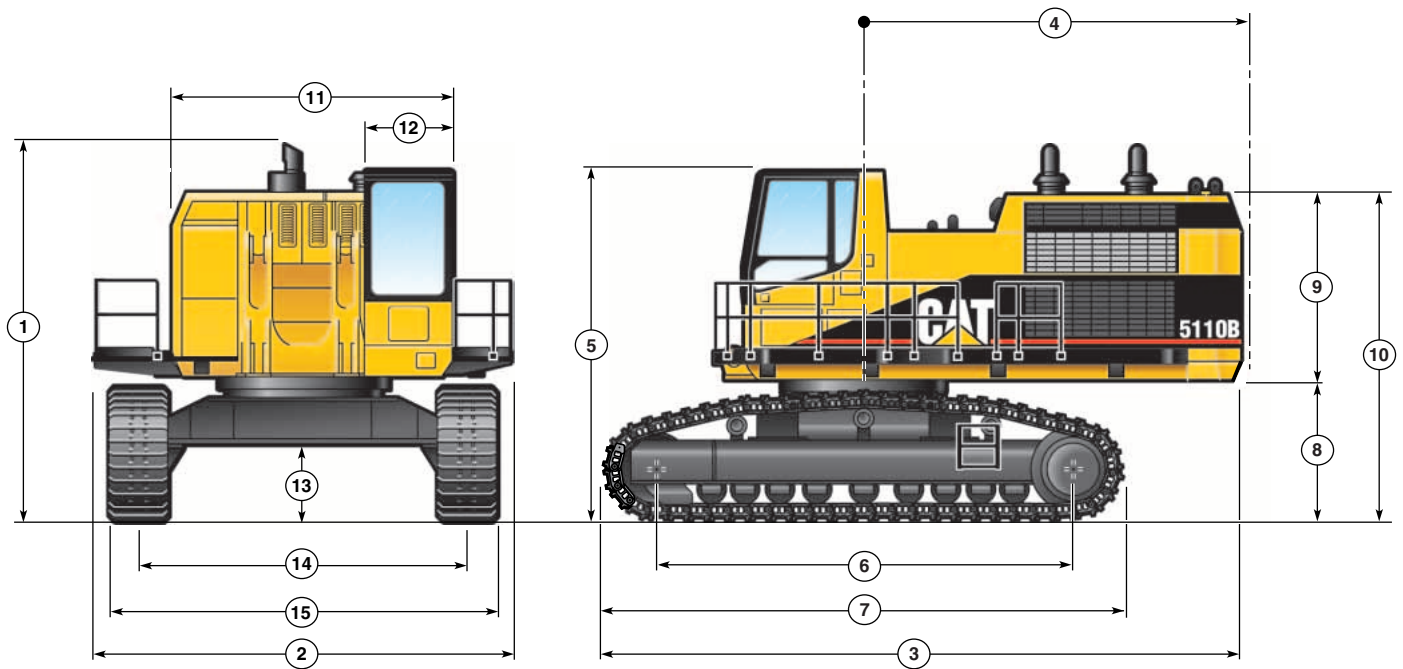
² with 4.1 m (13.5 ft) stick

See your dealer for customized bucket options.

5110B Hydraulic Excavators

Dimensions and Weights

All dimensions are approximate.



1	Overall Height	4806 mm	15.8 ft
2	Overall Width	5460 mm	17.9 ft
3	Overall Length	8552 mm	28.1 ft
4	Tail Swing Radius	5120 mm	16.8 ft
5	Height to Top of Cab	4615 mm	15.1 ft
6	Track Length on Ground	5452 mm	17.9 ft
7	Track Length	6864 mm	22.5 ft
8	Counterweight Clearance	1890 mm	6.2 ft
9	Counterweight Height	2410 mm	7.9 ft

10	Height to Top of Counterweight	4300 mm	14.1 ft
11	Width - Upper Structure	3500 mm	11.5 ft
12	Cab Width	993 mm	3.25 ft
13	Ground Clearance	1052 mm	3.5 ft
14	Track Gauge Width	4100 mm	13.4 ft
15	Width to Outside of Tracks	4800 mm	15.75 ft