

PRP16GE

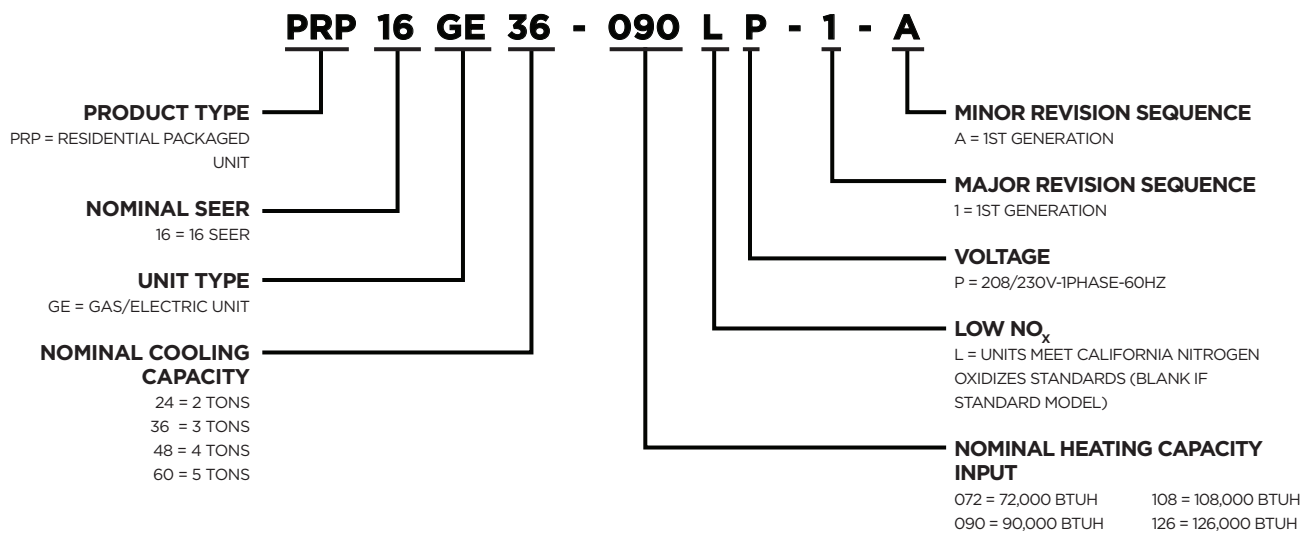
PRODUCT SPECIFICATIONS

TWO STAGE COMPRESSOR
VARIABLE SPEED BLOWER

FORM NO. PRP16GE-100 (03/2017)



MODEL NUMBER



FEATURES AND BENEFITS

WARRANTY

10 year limited parts and compressor warranty. See limited warranty document for details.

APPLICATIONS

Designed for outdoor installations at ground level or rooftop for residential and light commercial applications.

APPROVALS

AHRI Certified to AHRI Standard 210/240-2008.

Units are design certified by ETL Intertek.

Heating ratings are according to Department of Energy (DOE) test procedures and Federal Trade Commission (FTC) labeling regulations and are Certified by AHRI.

“L” models are approved by the California Energy Commission and meet California Nitrogen Oxides Standard (NO_x) limits of 40 ng/J.

Cooling system rated according to DOE test procedures.

Units are ETL certified for the U.S. and Canada.

Packaged unit and components within bonded for grounding to meet safety standards required by UL.

Each unit test operated at the factory before shipment ensuring dependable operation at start-up.

HEATING SYSTEM

Heat Exchanger

Aluminized tubular steel for superior resistance to corrosion and oxidation.

Round surfaces create minimum air resistance and allow air to surround all surfaces for excellent heat transfer.

Heat exchanger has been laboratory life cycle tested.

Tri-Diamond Technology

This unique, advanced design allows more air to contact the tubular heat exchanger, providing greater heat transfer and efficiency.

Optimal heat exchange allows for a more compact and energy-efficient design.

The Tri-Diamond design eliminates issues caused by condensation developed during the cooling season leading to reliable startup every season.

Without a fresh air intake, Tri-Diamond also reduces oxide formation and corrosion caused by recirculation.

Inshot Burners

Aluminized steel inshot burners provide efficient trouble free operation.

Burner venturi mixes air and gas in correct proportion for proper combustion.

Burner assembly is removable from the unit as a single component for ease of service and each burner may be removed individually.

Two-Stage Gas Control Valve

24 volt redundant combination two-stage gas control valve combines manual shut off valve (On-Off), automatic electric valve (dual) and gas pressure regulation into a compact combination control.

Two-Stage Combustion Air Inducer

Heavy duty combustion air inducer prepurges heat exchanger and safely vents flue products.

Blower is controlled by the ignition control board.

Pressure switch proves blower operation before allowing gas valve to open.

Combustion air inducer operates during heating cycle.

Inducer also operates for the first 10 seconds of every cooling cycle to prevent insects from nesting in the flue outlet during cooling season.

Limit Controls

Automatic reset, primary limit is accurately located.

Primary limit factory installed on heating vestibule panel on all units.

Flame Rollout Switch

Manual reset switch is factory installed on burner box.

Switch provides protection from abnormal operating conditions.

Ignition Control Board

Ignition control board with LED diagnostics.

OPTIONAL ACCESSORIES

LPG/Propane Conversion Kit

Required for field changeover from natural gas to LPG/Propane.

REFRIGERATION SYSTEM

R-410A Refrigerant

Non-chlorine, ozone friendly, R-410A.

Unit pre-charged with refrigerant.

See Specification table.

Evaporator and Condenser Coils

Copper tube with aluminum fin coils.

Anti-Microbial Evaporator Coil Drain Pan

Microban® Anti-Microbial additive resists growth of mold and mildew on drain pan which improves indoor air quality and reduces drain line blockage.

Includes drain pan overflow switch. Monitors condensate level in drain pan, shuts down unit if drain becomes clogged.

Condenser Fan

Weather protected heavy duty condenser fan motor with coated steel swept wing fan blades for long life.

Internally mounted.

Totally enclosed motor.

Fan guard constructed of corrosion-resistant coated steel.

High Pressure Switch

Shuts off unit if abnormal operating conditions cause the discharge pressure to rise above setting.

Protects compressor from excessive condensing pressure. Automatic reset.

Loss of Charge Switch

Shuts off unit if suction pressure falls below setting.

Provides loss of charge and freeze-up protection.

SCROLL COMPRESSOR

Copeland Scroll Ultra Tech™ Two-Stage Compressor

Compressor features high efficiency with uniform suction flow, constant discharge flow, high volumetric efficiency and quiet operation.

Compressor consists of two involute spiral scrolls matched together to generate a series of crescent shaped gas pockets between them.

During compression, one scroll remains stationary while the other scroll orbits around it.

Gas is drawn into the outer pocket, the pocket is sealed as the scroll rotates.

As the spiral movement continues, gas pockets are pushed to the center of the scrolls. Volume between the pockets is simultaneously reduced.

When the pocket reaches the center, gas is now at high pressure and is forced out of a port located in the center of the fixed scrolls. During compression, several pockets are compressed simultaneously resulting in a smooth continuous compression cycle.

Continuous flank contact, maintained by centrifugal force, minimizes gas leakage and maximizes efficiency.

Scroll compressor is tolerant to the effects of slugging and contaminants. If this occurs, scrolls separate, allowing liquid or contaminants to be worked toward the center and discharged.

During the compression process, there are several pockets in the scroll that are compressing gas. Modulation is achieved by venting a portion of the gas in the first suction pocket back to the low side of the compressor thereby reducing the effective displacement of the compressor.

A 24-volt DC solenoid valve inside the compressor controls staging.

When the 3-way solenoid is energized it moves the lift ring assembly to block the ports and the compressor operates at full-load or 100% capacity. When the solenoid is de-energized the lift ring assembly moves to unblock the compressor ports and the compressor operates at part-load or approximately 67% of its full-load capacity.

The "loading" and "unloading" of the two stage scroll is done "on the fly" without shutting off the single-speed compressor motor between stages.

Low gas pulses during compression reduce operational sound levels.

Compressor motor is internally protected from excessive current and temperature.

Compressor is installed in the unit on specially formulated, resilient rubber mounts for better sound dampening and vibration free operation.

Heavy Duty Compressor Blanket

Durable PVC outer cover with sound insulating inner polyester fiber.

OPTIONAL ACCESSORIES

Compressor Crankcase Heater

Protects against refrigerant migration that can occur during low ambient operation.

Compressor Hard Start Kit

Single-phase units are equipped with a PSC compressor motor. This type of motor normally doesn't need a potential relay and start capacitor.

In conditions such as low voltage, this kit may be required to increase the compressor starting torque.

Compressor Timed-Off Control

Prevents compressor short-cycling and allows time for suction and discharge pressure to equalize. Permits compressor start-up in an unloaded condition. Automatic reset with 5 minute delay between compressor shut-off and start-up.

SUPPLY AIR BLOWER

Variable Speed Direct Drive Blower

Each blower wheel statically and dynamically balanced.

Multi-speed operation is achieved by the use of an ECM (Electronically Commutated Motor) variable speed motor.

See Blower Performance tables.

Blower assembly easily removed for servicing.

ECM Variable Speed Blower Motor

Variable speed motor maintains specified air volume from 0 though 0.80 in. w.g. static range.

Motor is controlled by the blower control.

Change in blower speed is easily accomplished by simple jumper pin change on blower control.

Motor is resiliently mounted.

CONTROLS

Electronic Blower Control

Two stages - HEAT and COOL (with four different air volume selections for each) are made by simple jumper pins.

ADJUST jumper pin allows approximately 10% higher, normal or 10% lower motor speed selection within (COOL) speeds selected for fine tuning air volume. See Blower Data tables.

NOTE - HEAT speeds are not affected by jumper change.

Cooling Airflow Ramp Up - At the beginning of a call for cooling, the blower will run at 82% of full airflow for 7.5 minutes. This improves the system's moisture removal and saves blower power during cooling start.

Reduced Airflow Operation - For situations where humidity control is an issue, the variable speed motor can be connected to operate at a 25% reduction in the normal airflow rate. The variable speed motor interface provides for connection of a thermostat with humidity control or a humidistat on the HUM terminal. When connected, the dehumidifier resistor on the interface must be cut. The control should

be wired to open during high humidity, which will reduce blower airflow.

24 Volt Transformer

40VA transformer furnished and factory installed in control area.

OPTIONAL ACCESORIES

Comfort Sync® Equipment Interface Module

Allows Comfort Sync® Thermostats to be used with residential packaged units.

Contains all necessary relays and controls to operate the system and communicate with the Comfort Sync® Thermostat.

NOTE - The Comfort Sync® Equipment Interface Module is required for proper operation of Comfort Sync® Thermostats with residential packaged units.

Comfort Sync® Thermostat

The Comfort Sync® Thermostat recognizes and connects conventional heating/cooling products to automatically configure and control the system (based on user-specified settings) for the highest level of comfort, performance and efficiency.

Wi-Fi remote temperature monitoring and adjustment through a home wireless network for desktop PCs, laptops and apps for smartphones or tablets. Also displays service alerts and reminders.

A simple easy-to-use touchscreen allows complete system configuration. Scheduled maintenance alerts, system warnings and troubleshooting are also displayed on thermostat screen.

One-Touch Away Mode - A quick and easy way to set the cooling and heating setpoints while away.

Weather-On-Demand - Live up-to-date weather data and five-day forecasts.

Easy to read 7-inch color screen (measured diagonally).

See the Comfort Sync® Thermostat Product Specifications bulletin in the Controls section for more information.

CABINET

Conditioned areas insulated with foil faced insulation to minimize heat loss and reduce operating sound levels.

Pre-painted, galvanized steel for maximum durability.

Easy service access.

Steel louvered panels provides complete coil protection.

Airflow Choice

Units are shipped in horizontal configuration and can be field converted to downflow (vertical) airflow with optional Downflow Conversion Kit.

Gas Piping Inlets, Electrical Inlets and Service Valves

Gas piping and field wiring inlets are located in one central area of the cabinet. See dimension drawing.

Gauge ports located inside compressor service compartment of the cabinet.

INDOOR AIR QUALITY

PCO Accessory

The PCO Accessory uses photocatalytic oxidation (PCO) technology to significantly reduce levels of airborne volatile organic compounds, cooking odors, common household odors, airborne dust particles, mold spores and pollen.

PCO Accessory is mounted internally to the unit cabinet for superior indoor air quality.

Kit contains PCO cartridge, UVA lamp, UVA lampholder assembly, ballast box, wiring harness and all necessary hardware.

Internal Filter Rack Kits

Available for 1 in. thick filters. Kit contains filter rails for mounting filters internal to unit. Filters are not furnished and must be field provided.

NOTE - The Internal Filter Rack Kit cannot be used with the PCO Accessory.

NOTE - Maximum acceptable filter efficiency is MERV 11.

SPECIFICATIONS

| GENERAL DATA | MODEL NO. | PRP16GE24 | PRP16GE36 | PRP16GE48 | PRP16GE60 |
|--|---------------------------------------|-------------------|---------------|---------------|--------------|
| | NOMINAL TONNAGE | 2 | 3 | 4 | 5 |
| GAS HEAT AVAILABLE - SEE PAGE 6 | | -72 | -72, -90 | -108 | -126 |
| COOLING PERFORMANCE | Total cooling capacity - Btuh | 23,800 | 35,400 | 47,500 | 57,000 |
| | Total Unit Watts | 1900 | 2950 | 3960 | 4750 |
| | ¹ SEER (Btuh/Watt) | 16.0 | 16.0 | 16.0 | 16.0 |
| | EER (Btuh/Watt) | 12.5 | 12.0 | 12.0 | 12.0 |
| | ² Sound Rating Number (dB) | 73 | 74 | 73 | 74 |
| REFRIGERANT | Type | R-410A | R-410A | R-410A | R-410A |
| | Charge | 5 lbs. 7 oz. | 5 lbs. 12 oz. | 6 lbs. 10 oz. | 9 lbs. 1 oz. |
| CONDENSATE DRAIN SIZE (FPT) - IN. | | 3/4 | 3/4 | 3/4 | 3/4 |
| OUTDOOR COIL | Net Face Area - sq. ft. | 14.6 | 16.4 | 19.5 | 19.1 |
| | Tube Dia. - in. and No. of Rows | 5/16 - 1 | 5/16 - 1 | 5/16 - 1 | 5/16 - 2 |
| | Fins per inch | 26 | 26 | 26 | 22 |
| OUTDOOR COIL FAN | Motor horsepower | 1/6 | 1/6 | 1/4 | 1/4 |
| | Dia. - in. and No. of blades | 22 - 3 | 22 - 3 | 24 - 3 | 24 - 3 |
| INDOOR COIL | Net Face Area - sq. ft. | 4.4 | 4.4 | 6.8 | 6.8 |
| | Tube Dia. - in. and No. of rows | 3/8 - 3 | 3/8 - 3 | 3/8 - 3 | 3/8 - 3 |
| | Fins per in. | 15 | 15 | 15 | 15 |
| INDOOR BLOWER | Blower wheel size dia. x width - in. | 10 x 6 | 10 x 8 | 10 x 10 | 12 x 9 |
| | Motor horsepower | 1/2 | 1/2 | 3/4 | 1 |
| NET WEIGHT OF BASIC UNIT - LBS. | | 375 | 384 | 486 | 522 |
| SHIPPING WEIGHT OF BASIC UNIT (1 PKG.) - LBS. | | 445 | 456 | 528 | 595 |
| ELECTRICAL CHARACTERISTICS (60 HZ) | | 208/230V-1ph-60Hz | | | |
| ELECTRICAL DATA | | | | | |
| LINE VOLTAGE DATA - 60HZ 1 PHASE | | 208/230V | 208/230V | 208/230V | 208/230V |
| ³ MAXIMUM OVERCURRENT PROTECTION (AMPS) | | 25 | 35 | 50 | 60 |
| ⁴ MINIMUM CIRCUIT AMPACITY | | 17.0 | 22.7 | 31.2 | 41.7 |
| COMPRESSOR | Rated load amps | 11.7 | 15.3 | 21.2 | 28.8 |
| | Locked rotor amps | 58.3 | 83.0 | 104.0 | 152.9 |
| OUTDOOR COIL FAN MOTOR | Full load amps | 1.0 | 1.0 | 1.7 | 1.7 |
| | Locked rotor amps | 1.9 | 1.9 | 3.2 | 3.2 |
| INDOOR BLOWER MOTOR | Full load amps | 1.1 | 2.3 | 3.1 | 4.0 |
| | Locked rotor amps | 4.3 | 4.3 | 6.8 | 9.1 |

NOTE-Extremes of operating range are plus and minus 10% of line voltage.

¹ AHRI Certified to AHRI Standard 210/240; 95°F outdoor air temperature, 80°F db/67°F wb entering evaporator air.

² Sound Rating Number rated in accordance with test conditions included in AHRI Standard 270.

³ HACR type circuit breaker or fuse.

⁴ Refer to National or Canadian Electrical Code manual to determine wire, fuse and disconnect size requirements.

| OPTIONAL ACCESSORIES - ORDER SEPARATELY | | | | | |
|---|---------------------------|------------|-----------|-----------|-----------|
| MODEL NO. | | PRP16GE24 | PRP16GE36 | PRP16GE48 | PRP16GE60 |
| COMPRESSOR CRANKCASE HEATER | 11X27 | • | • | • | • |
| COMPRESSOR HARD START KIT | 10J42 | • | • | | |
| | 12J90 | | | • | • |
| COMPRESSOR TIMED-OFF CONTROL | 47J27 | • | • | • | • |
| DOWNFLOW CONVERSION KIT | 1.851401 | • | • | | |
| | 1.851402 | | | • | • |
| HORIZONTAL DISCHARGE RECT. TO 14" ROUNDS DUCT ADAPTER (QTY 25 SETS) | R104617-01 | • | • | | |
| | R104618-01 | | | • | • |
| ^{1,2} INTERNAL FILTER RACK KIT (FILTERS NOT FURNISHED) | (1) 20 x 20 + (1) 14 x 20 | 11U73 | • | • | |
| | (2) 20 x 20 | 11U74 | | • | • |
| LIFTING BRACKETS | | 11U76 | • | • | • |
| CLIP CURBS | 8 in. Height | 14W71 | • | • | |
| | | 14W72 | | | • |
| | 14 in. Height | 14V68 | • | • | |
| | | 14V69 | | | • |
| ADJUSTABLE PITCH ROOF CURB AVAILABLE 3RD PARTY ONLY. SEE PAGE 12 | | | • | | • |
| ² HEALTHY CLIMATE® PCO ACCESSORY | | Y8717 | • | • | • |
| MAINTENANCE SUPPLIES - ORDER SEPARATELY | | | | | |
| HEALTHY CLIMATE® PCO ACCESSORY MAINTENANCE KIT (INCLUDES PUREAIR™ CARTRIDGE AND UVA LAMP) | | Y8718 | • | • | • |
| CONTROLS - ORDER SEPARATELY | | | | | |
| COMFORT SYNC® WI-FI THERMOSTAT | | 1.841197 | • | • | • |
| EQUIPMENT INTERFACE MODULE (EIM) - REQUIRED WITH COMFORT SYNC THERMOSTAT | | R104785-01 | • | • | • |
| ³ OUTDOOR AIR TEMPERATURE SENSOR | | X2658 | • | • | • |
| ⁴ DISCHARGE AIR TEMPERATURE SENSOR | | 88K38 | • | • | • |

¹ Filters are not furnished and must be field provided. Maximum acceptable filter efficiency is MERV 11. 1" thick.

² Filter Rack Kit cannot be used with the PCO Accessory.

³ Remote Outdoor Temperature Sensor is used with residential packaged units. Allows the thermostat to display outdoor temperature.

⁴ Used with the Comfort Sync Wi-Fi® Thermostats for optional service diagnostics.

SPECIFICATIONS - GAS HEAT

| GENERAL DATA | | MODEL NO. | PRP16GE24 PRP16GE36 | PRP16GE36 | PRP16GE48 | PRP16GE60 |
|---|----------------------|---|------------------------|-----------|-----------|-----------|
| HEATING INPUT | | | -072 | -090 | -108 | -126 |
| HEATING CAPACITY BTUH | First Stage - Input | | 54,000 | 67,500 | 81,000 | 94,500 |
| | Output | | 43,500 | 54,500 | 65,500 | 76,500 |
| | Second Stage - Input | | 72,000 | 90,000 | 108,000 | 126,000 |
| | Output | | 58,000 | 73,000 | 88,000 | 102,000 |
| AFUE | | | 81% | 81% | 81% | 81% |
| TEMPERATURE RISE - °F | First Stage | | 35 - 45 | 35 - 45 | 45 - 55 | 45 - 55 |
| | Second Stage | | 45 - 55 | 45 - 55 | 50 - 60 | 50 - 60 |
| GAS SUPPLY CONNECTION (FPT) - IN. | | | 1/2 | 1/2 | 1/2 | 1/2 |
| MIN. RECOMMENDED GAS SUPPLY PRESSURE | | 5 in. w.g. Natural Gas, 11 in. w.g. LPG/Propane | | | | |
| OPTIONAL ACCESSORIES - ORDER SEPARATELY | | | | | | |
| LPG/PROPANE CONVERSION KIT | | | 15C55 | 15C55 | 15C55 | 15C55 |

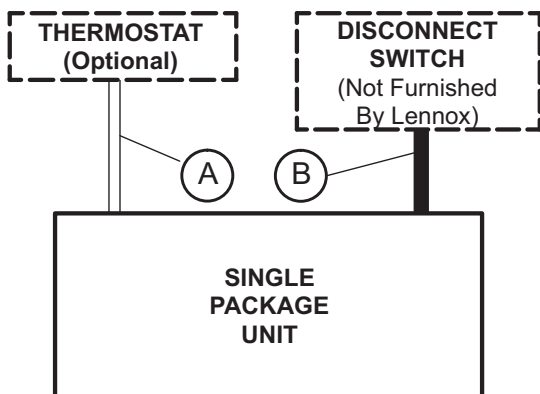
1 Annual Fuel Utilization Efficiency based on U.S. DOE test procedures and FTC labeling regulations.

HIGH ALTITUDE DERATE

Units may be installed at altitudes up to 4500 feet above sea level without any modification. At altitudes above 4500 feet, units must be derated 4% for every 1000 feet above sea level. Example - At an altitude of 6000 feet the unit would require a derate of 24%.

NOTE - This is the only permissible derate for these units.

FIELD WIRING



A – Seven Wire Low Voltage (Electronic)

B – Two Wire Power (See Electrical Data Table)

– Field Wiring Not Furnished –

COOLING RATINGS

| 2 TON - PRP16GE24 (1ST STAGE) | | | | | | | | | | | | | | | | | | | | | |
|-------------------------------|----------------|---|-------------------|-------------------------------|------|-------|-----------------|-------------------|-------------------------------|------|-------|-----------------|-------------------|-------------------------------|------|-------|-----------------|-------------------|-------------------------------|------|------|
| ENTERING WET BULB TEMPERATURE | TOTAL AIR VOL. | OUTDOOR AIR TEMPERATURE ENTERING OUTDOOR COIL | | | | | | | | | | | | | | | | | | | |
| | | 65°F | | | | | 75°F | | | | | 85°F | | | | | 95°F | | | | |
| | | TOTAL COOL CAP. | COMP. MOTOR INPUT | SENSIBLE TO TOTAL RATIO (S/T) | | | TOTAL COOL CAP. | COMP. MOTOR INPUT | SENSIBLE TO TOTAL RATIO (S/T) | | | TOTAL COOL CAP. | COMP. MOTOR INPUT | SENSIBLE TO TOTAL RATIO (S/T) | | | TOTAL COOL CAP. | COMP. MOTOR INPUT | SENSIBLE TO TOTAL RATIO (S/T) | | |
| | | | | DRY BULB | | | | | DRY BULB | | | | | DRY BULB | | | | | DRY BULB | | |
| CFM | KBTUH | KW | 75°F | 80°F | 85°F | KBTUH | KW | 75°F | 80°F | 85°F | KBTUH | KW | 75°F | 80°F | 85°F | KBTUH | KW | 75°F | 80°F | 85°F | |
| 63°F | 500 | 20.4 | 7.3 | 0.72 | 0.85 | 0.99 | 19.3 | 8.4 | 0.73 | 0.87 | 1.00 | 18.3 | 9.7 | 0.75 | 0.90 | 1.00 | 17.2 | 11.2 | 0.77 | 0.93 | 1.00 |
| | 560 | 20.9 | 7.3 | 0.74 | 0.89 | 1.00 | 19.8 | 8.4 | 0.76 | 0.91 | 1.00 | 18.8 | 9.7 | 0.77 | 0.94 | 1.00 | 17.6 | 11.2 | 0.80 | 0.98 | 1.00 |
| | 610 | 21.3 | 7.2 | 0.76 | 0.92 | 1.00 | 20.1 | 8.4 | 0.78 | 0.95 | 1.00 | 19.0 | 9.6 | 0.80 | 0.98 | 1.00 | 17.9 | 11.1 | 0.82 | 1.00 | 1.00 |
| 67°F | 500 | 21.9 | 7.2 | 0.56 | 0.69 | 0.82 | 20.7 | 8.3 | 0.57 | 0.71 | 0.84 | 19.6 | 9.6 | 0.58 | 0.72 | 0.87 | 18.5 | 11.1 | 0.59 | 0.74 | 0.89 |
| | 560 | 22.3 | 7.1 | 0.58 | 0.72 | 0.86 | 21.1 | 8.2 | 0.59 | 0.74 | 0.88 | 19.9 | 9.5 | 0.60 | 0.76 | 0.90 | 18.8 | 11.0 | 0.61 | 0.78 | 0.94 |
| | 610 | 22.7 | 7.1 | 0.59 | 0.74 | 0.89 | 21.4 | 8.2 | 0.60 | 0.76 | 0.92 | 20.1 | 9.5 | 0.62 | 0.78 | 0.95 | 19.0 | 11.0 | 0.63 | 0.81 | 0.98 |
| 71°F | 500 | 23.4 | 7.0 | 0.42 | 0.55 | 0.66 | 22.2 | 8.1 | 0.43 | 0.55 | 0.68 | 20.9 | 9.4 | 0.43 | 0.57 | 0.70 | 19.8 | 10.9 | 0.43 | 0.58 | 0.72 |
| | 560 | 23.9 | 7.0 | 0.43 | 0.56 | 0.69 | 22.6 | 8.1 | 0.43 | 0.57 | 0.71 | 21.3 | 9.4 | 0.44 | 0.59 | 0.73 | 20.1 | 10.8 | 0.44 | 0.60 | 0.75 |
| | 610 | 24.2 | 6.9 | 0.43 | 0.58 | 0.72 | 22.9 | 8.0 | 0.44 | 0.59 | 0.74 | 21.6 | 9.3 | 0.44 | 0.60 | 0.76 | 20.4 | 10.8 | 0.45 | 0.62 | 0.78 |

| 2 TON - PRP16GE24 (2ND STAGE) | | | | | | | | | | | | | | | | | | | | | |
|-------------------------------|------------------|---|-------------------|-------------------------------|------|-------|-----------------|-------------------|-------------------------------|------|-------|-----------------|-------------------|-------------------------------|------|-------|-----------------|-------------------|-------------------------------|------|------|
| ENTERING WET BULB TEMPERATURE | TOTAL AIR VOLUME | OUTDOOR AIR TEMPERATURE ENTERING OUTDOOR COIL | | | | | | | | | | | | | | | | | | | |
| | | 85°F | | | | | 95°F | | | | | 105°F | | | | | 115°F | | | | |
| | | TOTAL COOL CAP. | COMP. MOTOR INPUT | SENSIBLE TO TOTAL RATIO (S/T) | | | TOTAL COOL CAP. | COMP. MOTOR INPUT | SENSIBLE TO TOTAL RATIO (S/T) | | | TOTAL COOL CAP. | COMP. MOTOR INPUT | SENSIBLE TO TOTAL RATIO (S/T) | | | TOTAL COOL CAP. | COMP. MOTOR INPUT | SENSIBLE TO TOTAL RATIO (S/T) | | |
| | | | | DRY BULB | | | | | DRY BULB | | | | | DRY BULB | | | | | DRY BULB | | |
| CFM | KBTUH | KW | 75°F | 80°F | 85°F | KBTUH | KW | 75°F | 80°F | 85°F | KBTUH | KW | 75°F | 80°F | 85°F | KBTUH | KW | 75°F | 80°F | 85°F | |
| 63°F | 600 | 23.9 | 15.9 | 0.72 | 0.86 | 1.00 | 22.6 | 17.5 | 0.74 | 0.88 | 1.00 | 21.4 | 19.6 | 0.75 | 0.91 | 1.00 | 20.0 | 21.7 | 0.77 | 0.94 | 1.00 |
| | 800 | 25.2 | 16.0 | 0.80 | 0.97 | 1.00 | 23.9 | 17.6 | 0.81 | 1.00 | 1.00 | 22.7 | 19.6 | 0.83 | 1.00 | 1.00 | 21.5 | 21.8 | 0.85 | 1.00 | 1.00 |
| | 1000 | 26.6 | 16.1 | 0.86 | 1.00 | 1.00 | 25.3 | 17.7 | 0.88 | 1.00 | 1.00 | 24.0 | 19.6 | 0.90 | 1.00 | 1.00 | 22.7 | 21.9 | 0.93 | 1.00 | 1.00 |
| 67°F | 600 | 25.5 | 16.0 | 0.57 | 0.70 | 0.83 | 24.2 | 17.6 | 0.58 | 0.71 | 0.85 | 22.8 | 19.5 | 0.59 | 0.73 | 0.88 | 21.4 | 21.9 | 0.60 | 0.75 | 0.90 |
| | 800 | 26.8 | 16.1 | 0.61 | 0.78 | 0.94 | 25.4 | 17.7 | 0.62 | 0.80 | 0.98 | 23.9 | 19.6 | 0.64 | 0.83 | 1.00 | 22.4 | 21.8 | 0.65 | 0.85 | 1.00 |
| | 1000 | 27.7 | 16.1 | 0.66 | 0.86 | 1.00 | 26.2 | 17.7 | 0.68 | 0.89 | 1.00 | 24.6 | 19.6 | 0.70 | 0.92 | 1.00 | 23.0 | 21.9 | 0.72 | 0.96 | 1.00 |
| 71°F | 600 | 27.3 | 16.1 | 0.43 | 0.55 | 0.67 | 25.9 | 17.7 | 0.43 | 0.56 | 0.69 | 24.5 | 19.6 | 0.43 | 0.57 | 0.71 | 23.0 | 22.0 | 0.44 | 0.58 | 0.73 |
| | 800 | 28.6 | 16.2 | 0.44 | 0.60 | 0.76 | 27.0 | 17.8 | 0.45 | 0.61 | 0.78 | 25.5 | 19.6 | 0.45 | 0.63 | 0.81 | 23.9 | 21.8 | 0.46 | 0.65 | 0.84 |
| | 1000 | 29.4 | 16.2 | 0.46 | 0.65 | 0.84 | 27.8 | 17.8 | 0.47 | 0.67 | 0.87 | 26.1 | 19.7 | 0.48 | 0.69 | 0.91 | 24.4 | 21.9 | 0.49 | 0.72 | 1.00 |

| 3 TON - PRP16GE36 (1ST STAGE) | | | | | | | | | | | | | | | | | | | | | |
|-------------------------------|------------------|---|-------------------|-------------------------------|------|-------|-----------------|-------------------|-------------------------------|------|-------|-----------------|-------------------|-------------------------------|------|-------|-----------------|-------------------|-------------------------------|------|------|
| ENTERING WET BULB TEMPERATURE | TOTAL AIR VOLUME | OUTDOOR AIR TEMPERATURE ENTERING OUTDOOR COIL | | | | | | | | | | | | | | | | | | | |
| | | 65°F | | | | | 75°F | | | | | 85°F | | | | | 95°F | | | | |
| | | TOTAL COOL CAP. | COMP. MOTOR INPUT | SENSIBLE TO TOTAL RATIO (S/T) | | | TOTAL COOL CAP. | COMP. MOTOR INPUT | SENSIBLE TO TOTAL RATIO (S/T) | | | TOTAL COOL CAP. | COMP. MOTOR INPUT | SENSIBLE TO TOTAL RATIO (S/T) | | | TOTAL COOL CAP. | COMP. MOTOR INPUT | SENSIBLE TO TOTAL RATIO (S/T) | | |
| | | | | DRY BULB | | | | | DRY BULB | | | | | DRY BULB | | | | | DRY BULB | | |
| CFM | KBTUH | KW | 75°F | 80°F | 85°F | KBTUH | KW | 75°F | 80°F | 85°F | KBTUH | KW | 75°F | 80°F | 85°F | KBTUH | KW | 75°F | 80°F | 85°F | |
| 63°F | 760 | 29.0 | 10.8 | 0.74 | 0.88 | 1.00 | 27.5 | 12.3 | 0.75 | 0.90 | 1.00 | 26.0 | 14.2 | 0.77 | 0.93 | 1.00 | 24.4 | 16.3 | 0.79 | 0.96 | 1.00 |
| | 840 | 29.6 | 10.8 | 0.76 | 0.92 | 1.00 | 28.1 | 12.3 | 0.78 | 0.94 | 1.00 | 26.5 | 14.1 | 0.80 | 0.97 | 1.00 | 25.1 | 16.3 | 0.82 | 1.00 | 1.00 |
| | 920 | 30.1 | 10.7 | 0.78 | 0.95 | 1.00 | 28.6 | 12.2 | 0.80 | 0.98 | 1.00 | 26.9 | 14.1 | 0.83 | 1.00 | 1.00 | 25.6 | 16.2 | 0.84 | 1.00 | 1.00 |
| 67°F | 760 | 31.1 | 10.7 | 0.58 | 0.71 | 0.84 | 29.5 | 12.2 | 0.58 | 0.73 | 0.87 | 27.8 | 14.0 | 0.59 | 0.75 | 0.90 | 26.2 | 16.2 | 0.61 | 0.77 | 0.93 |
| | 840 | 31.7 | 10.6 | 0.59 | 0.74 | 0.88 | 30.0 | 12.1 | 0.60 | 0.75 | 0.91 | 28.3 | 14.0 | 0.61 | 0.78 | 0.94 | 26.6 | 16.1 | 0.63 | 0.80 | 0.98 |
| | 920 | 32.1 | 10.6 | 0.60 | 0.76 | 0.92 | 30.4 | 12.1 | 0.62 | 0.78 | 0.95 | 28.7 | 14.0 | 0.63 | 0.81 | 0.99 | 28.9 | 16.0 | 0.60 | 0.78 | 0.94 |
| 71°F | 760 | 33.4 | 10.5 | 0.43 | 0.56 | 0.68 | 31.7 | 12.0 | 0.43 | 0.57 | 0.70 | 29.9 | 13.9 | 0.44 | 0.58 | 0.72 | 28.2 | 16.0 | 0.44 | 0.59 | 0.74 |
| | 840 | 33.9 | 10.4 | 0.43 | 0.57 | 0.71 | 32.2 | 11.9 | 0.44 | 0.58 | 0.73 | 30.4 | 13.8 | 0.44 | 0.60 | 0.75 | 28.5 | 16.0 | 0.45 | 0.61 | 0.78 |
| | 920 | 34.4 | 10.4 | 0.44 | 0.59 | 0.74 | 32.6 | 11.9 | 0.44 | 0.60 | 0.76 | 30.8 | 13.8 | 0.45 | 0.62 | 0.78 | 27.2 | 16.1 | 0.48 | 0.67 | 0.86 |

| 3 TON - PRP16GE36 (2ND STAGE) | | | | | | | | | | | | | | | | | | | | | |
|-------------------------------|------------------|---|-------------------|-------------------------------|------|-------|-----------------|-------------------|-------------------------------|------|-------|-----------------|-------------------|-------------------------------|------|-------|-----------------|-------------------|-------------------------------|------|------|
| ENTERING WET BULB TEMPERATURE | TOTAL AIR VOLUME | OUTDOOR AIR TEMPERATURE ENTERING OUTDOOR COIL | | | | | | | | | | | | | | | | | | | |
| | | 85°F | | | | | 95°F | | | | | 105°F | | | | | 115°F | | | | |
| | | TOTAL COOL CAP. | COMP. MOTOR INPUT | SENSIBLE TO TOTAL RATIO (S/T) | | | TOTAL COOL CAP. | COMP. MOTOR INPUT | SENSIBLE TO TOTAL RATIO (S/T) | | | TOTAL COOL CAP. | COMP. MOTOR INPUT | SENSIBLE TO TOTAL RATIO (S/T) | | | TOTAL COOL CAP. | COMP. MOTOR INPUT | SENSIBLE TO TOTAL RATIO (S/T) | | |
| | | | | DRY BULB | | | | | DRY BULB | | | | | DRY BULB | | | | | DRY BULB | | |
| CFM | KBTUH | KW | 75°F | 80°F | 85°F | KBTUH | KW | 75°F | 80°F | 85°F | KBTUH | KW | 75°F | 80°F | 85°F | KBTUH | KW | 75°F | 80°F | 85°F | |
| 63°F | 1000 | 36.5 | 23.9 | 0.74 | 0.90 | 1.00 | 34.6 | 26.5 | 0.77 | 0.92 | 1.00 | 32.6 | 29.4 | 0.78 | 0.95 | 1.00 | 30.6 | 32.8 | 0.80 | 0.99 | 1.00 |
| | 1200 | 37.6 | 24.0 | 0.79 | 0.95 | 1.00 | 35.7 | 26.6 | 0.82 | 0.98 | 1.00 | 33.9 | 29.6 | 0.83 | 1.00 | 1.00 | 32.1 | 33.0 | 0.85 | 1.00 | 1.00 |
| | 1400 | 38.9 | 24.2 | 0.83 | 1.00 | 1.00 | 37.1 | 26.8 | 0.86 | 1.00 | 1.00 | 35.2 | 29.8 | 0.88 | 1.00 | 1.00 | 33.4 | 33.1 | 0.90 | 1.00 | 1.00 |
| 67°F | 1000 | 38.9 | 24.2 | 0.58 | 0.73 | 0.87 | 36.9 | 26.8 | 0.59 | 0.74 | 0.89 | 34.8 | 29.7 | 0.60 | 0.76 | 0.92 | 32.7 | 33.1 | 0.62 | 0.79 | 0.96 |
| | 1200 | 40.0 | 24.3 | 0.61 | 0.78 | 0.95 | 37.9 | 26.9 | 0.63 | 0.80 | 0.98 | 36.0 | 29.8 | 0.63 | 0.82 | 0.98 | 33.4 | 33.1 | 0.66 | 0.86 | 1.00 |
| | 1400 | 40.6 | 24.4 | 0.65 | 0.83 | 1.00 | 38.6 | 27.0 | 0.66 | 0.86 | 1.00 | 36.3 | 29.9 | 0.68 | 0.90 | 1.00 | 34.1 | 33.2 | 0.70 | 0.93 | 1.00 |
| 71°F | 1000 | 41.4 | 24.5 | 0.43 | 0.57 | 0.70 | 39.3 | 27.0 | 0.43 | 0.58 | 0.72 | 37.0 | 30.0 | 0.44 | 0.59 | 0.74 | 34.9 | 33.3 | 0.44 | 0.61 | 0.77 |
| | 1200 | 42.5 | 24.6 | 0.44 | 0.60 | 0.76 | 40.2 | 27.1 | 0.45 | 0.62 | 0.78 | 37.9 | 30.1 | 0.45 | 0.63 | 0.79 | 35.8 | 33.4 | 0.45 | 0.65 | 0.81 |
| | 1400 | 43.3 | 24.7 | 0.46 | 0.64 | 0.80 | 41.1 | 27.2 | 0.46 | 0.65 | 0.84 | 38.7 | 30.2 | 0.47 | 0.67 | 0.88 | 36.3 | 33.5 | 0.47 | 0.70 | 0.88 |

COOLING RATINGS

| 4 TON - PRP16GE48 (1ST STAGE) | | | | | | | | | | | | | | | | | | | | | | | | | |
|-------------------------------|------------------|---|-------------------|-------------------------------|------|-------|-----------------|-------------------|-------------------------------|------|-------|-----------------|-------------------|-------------------------------|------|-------|-----------------|-------------------|-------------------------------|------|------|--|--|--|--|
| ENTERING WET BULB TEMPERATURE | TOTAL AIR VOLUME | OUTDOOR AIR TEMPERATURE ENTERING OUTDOOR COIL | | | | | | | | | | | | | | | | | | | | | | | |
| | | 65°F | | | | | | 75°F | | | | | | 85°F | | | | | | 95°F | | | | | |
| | | TOTAL COOL CAP. | COMP. MOTOR INPUT | SENSIBLE TO TOTAL RATIO (S/T) | | | TOTAL COOL CAP. | COMP. MOTOR INPUT | SENSIBLE TO TOTAL RATIO (S/T) | | | TOTAL COOL CAP. | COMP. MOTOR INPUT | SENSIBLE TO TOTAL RATIO (S/T) | | | TOTAL COOL CAP. | COMP. MOTOR INPUT | SENSIBLE TO TOTAL RATIO (S/T) | | | | | | |
| | | | | DRY BULB | | | | | DRY BULB | | | | | DRY BULB | | | | | DRY BULB | | | | | | |
| CFM | KBTUH | KW | 75°F | 80°F | 85°F | KBTUH | KW | 75°F | 80°F | 85°F | KBTUH | KW | 75°F | 80°F | 85°F | KBTUH | KW | 75°F | 80°F | 85°F | | | | | |
| 63°F | 1010 | 39.3 | 13.8 | 0.73 | 0.87 | 1.00 | 37.0 | 16.1 | 0.75 | 0.90 | 1.00 | 34.7 | 18.7 | 0.77 | 0.93 | 1.00 | 32.3 | 21.6 | 0.79 | 0.97 | 1.00 | | | | |
| | 1120 | 40.1 | 13.7 | 0.75 | 0.91 | 1.00 | 37.7 | 16.0 | 0.77 | 0.94 | 1.00 | 35.3 | 18.7 | 0.80 | 0.97 | 1.00 | 33.2 | 21.5 | 0.82 | 1.00 | 1.00 | | | | |
| | 1230 | 40.7 | 13.6 | 0.78 | 0.95 | 1.00 | 38.4 | 16.0 | 0.80 | 0.98 | 1.00 | 36.0 | 18.6 | 0.82 | 1.00 | 1.00 | 34.0 | 21.4 | 0.84 | 1.00 | 1.00 | | | | |
| 67°F | 1010 | 41.9 | 13.5 | 0.57 | 0.71 | 0.84 | 39.5 | 15.9 | 0.58 | 0.72 | 0.87 | 37.0 | 18.5 | 0.59 | 0.75 | 0.90 | 34.5 | 21.4 | 0.61 | 0.77 | 0.93 | | | | |
| | 1120 | 42.7 | 13.5 | 0.59 | 0.73 | 0.88 | 40.2 | 15.8 | 0.60 | 0.75 | 0.91 | 37.7 | 18.5 | 0.61 | 0.78 | 0.94 | 35.1 | 21.4 | 0.63 | 0.80 | 0.98 | | | | |
| | 1230 | 43.3 | 13.4 | 0.60 | 0.76 | 0.92 | 40.7 | 15.8 | 0.62 | 0.78 | 0.95 | 38.2 | 18.4 | 0.63 | 0.81 | 0.99 | 35.7 | 21.3 | 0.65 | 0.84 | 1.00 | | | | |
| 71°F | 1010 | 44.9 | 13.3 | 0.43 | 0.55 | 0.68 | 42.3 | 15.6 | 0.43 | 0.57 | 0.70 | 39.7 | 18.3 | 0.44 | 0.58 | 0.72 | 37.2 | 21.2 | 0.44 | 0.59 | 0.74 | | | | |
| | 1120 | 45.6 | 13.2 | 0.43 | 0.57 | 0.71 | 43.0 | 15.6 | 0.44 | 0.58 | 0.73 | 40.3 | 18.2 | 0.44 | 0.60 | 0.75 | 37.7 | 21.1 | 0.45 | 0.62 | 0.78 | | | | |
| | 1230 | 46.3 | 13.1 | 0.44 | 0.59 | 0.74 | 43.6 | 15.5 | 0.44 | 0.60 | 0.76 | 40.9 | 18.2 | 0.45 | 0.62 | 0.79 | 38.2 | 21.1 | 0.46 | 0.64 | 0.82 | | | | |

| 4 TON - PRP16GE48 (2ND STAGE) | | | | | | | | | | | | | | | | | | | | | | | | | |
|-------------------------------|------------------|---|-------------------|-------------------------------|------|-------|-----------------|-------------------|-------------------------------|------|-------|-----------------|-------------------|-------------------------------|------|-------|-----------------|-------------------|-------------------------------|-------|------|--|--|--|--|
| ENTERING WET BULB TEMPERATURE | TOTAL AIR VOLUME | OUTDOOR AIR TEMPERATURE ENTERING OUTDOOR COIL | | | | | | | | | | | | | | | | | | | | | | | |
| | | 85°F | | | | | | 95°F | | | | | | 105°F | | | | | | 115°F | | | | | |
| | | TOTAL COOL CAP. | COMP. MOTOR INPUT | SENSIBLE TO TOTAL RATIO (S/T) | | | TOTAL COOL CAP. | COMP. MOTOR INPUT | SENSIBLE TO TOTAL RATIO (S/T) | | | TOTAL COOL CAP. | COMP. MOTOR INPUT | SENSIBLE TO TOTAL RATIO (S/T) | | | TOTAL COOL CAP. | COMP. MOTOR INPUT | SENSIBLE TO TOTAL RATIO (S/T) | | | | | | |
| | | | | DRY BULB | | | | | DRY BULB | | | | | DRY BULB | | | | | DRY BULB | | | | | | |
| CFM | KBTUH | KW | 75°F | 80°F | 85°F | KBTUH | KW | 75°F | 80°F | 85°F | KBTUH | KW | 75°F | 80°F | 85°F | KBTUH | KW | 75°F | 80°F | 85°F | | | | | |
| 63°F | 1400 | 48.4 | 31.8 | 0.76 | 0.92 | 1.00 | 45.9 | 35.4 | 0.78 | 0.95 | 1.00 | 43.3 | 39.5 | 0.80 | 0.99 | 1.00 | 40.7 | 44.1 | 0.82 | 1.00 | 1.00 | | | | |
| | 1600 | 49.6 | 31.9 | 0.80 | 0.98 | 1.00 | 47.0 | 35.5 | 0.82 | 1.00 | 1.00 | 44.7 | 39.6 | 0.84 | 1.00 | 1.00 | 42.3 | 44.5 | 0.86 | 1.00 | 1.00 | | | | |
| | 1800 | 50.8 | 32.0 | 0.83 | 1.00 | 1.00 | 48.5 | 35.6 | 0.85 | 1.00 | 1.00 | 46.1 | 39.8 | 0.87 | 1.00 | 1.00 | 43.6 | 44.6 | 0.89 | 1.00 | 1.00 | | | | |
| 67°F | 1400 | 51.6 | 32.1 | 0.59 | 0.74 | 0.89 | 48.8 | 35.7 | 0.60 | 0.76 | 0.92 | 46.0 | 39.8 | 0.62 | 0.79 | 0.95 | 43.2 | 44.6 | 0.63 | 0.81 | 0.99 | | | | |
| | 1600 | 52.6 | 32.2 | 0.62 | 0.79 | 0.96 | 49.8 | 35.8 | 0.63 | 0.81 | 0.99 | 46.8 | 39.9 | 0.65 | 0.84 | 1.00 | 44.0 | 44.7 | 0.66 | 0.87 | 1.00 | | | | |
| | 1800 | 53.4 | 32.3 | 0.64 | 0.83 | 0.99 | 50.5 | 35.8 | 0.66 | 0.86 | 1.00 | 47.6 | 40.0 | 0.67 | 0.89 | 1.00 | 44.6 | 44.8 | 0.70 | 0.92 | 1.00 | | | | |
| 71°F | 1400 | 55.0 | 32.4 | 0.44 | 0.58 | 0.72 | 52.1 | 36.0 | 0.44 | 0.59 | 0.74 | 49.1 | 40.2 | 0.44 | 0.60 | 0.76 | 46.2 | 45.1 | 0.45 | 0.62 | 0.79 | | | | |
| | 1600 | 56.0 | 32.5 | 0.45 | 0.61 | 0.76 | 53.0 | 36.1 | 0.45 | 0.62 | 0.79 | 49.9 | 40.3 | 0.46 | 0.64 | 0.82 | 46.8 | 45.1 | 0.46 | 0.66 | 0.85 | | | | |
| | 1800 | 56.8 | 32.5 | 0.46 | 0.63 | 0.81 | 53.7 | 36.2 | 0.46 | 0.65 | 0.84 | 50.6 | 40.4 | 0.47 | 0.67 | 0.87 | 47.4 | 45.2 | 0.48 | 0.69 | 0.90 | | | | |

| 5 TON - PRP16GE60 (1ST STAGE) | | | | | | | | | | | | | | | | | | | | | | | | | |
|-------------------------------|------------------|---|-------------------|-------------------------------|------|-------|-----------------|-------------------|-------------------------------|------|-------|-----------------|-------------------|-------------------------------|------|-------|-----------------|-------------------|-------------------------------|------|------|--|--|--|--|
| ENTERING WET BULB TEMPERATURE | TOTAL AIR VOLUME | OUTDOOR AIR TEMPERATURE ENTERING OUTDOOR COIL | | | | | | | | | | | | | | | | | | | | | | | |
| | | 65°F | | | | | | 75°F | | | | | | 85°F | | | | | | 95°F | | | | | |
| | | TOTAL COOL CAP. | COMP. MOTOR INPUT | SENSIBLE TO TOTAL RATIO (S/T) | | | TOTAL COOL CAP. | COMP. MOTOR INPUT | SENSIBLE TO TOTAL RATIO (S/T) | | | TOTAL COOL CAP. | COMP. MOTOR INPUT | SENSIBLE TO TOTAL RATIO (S/T) | | | TOTAL COOL CAP. | COMP. MOTOR INPUT | SENSIBLE TO TOTAL RATIO (S/T) | | | | | | |
| | | | | DRY BULB | | | | | DRY BULB | | | | | DRY BULB | | | | | DRY BULB | | | | | | |
| CFM | KBTUH | KW | 75°F | 80°F | 85°F | KBTUH | KW | 75°F | 80°F | 85°F | KBTUH | KW | 75°F | 80°F | 85°F | KBTUH | KW | 75°F | 80°F | 85°F | | | | | |
| 63°F | 1130 | 46.2 | 17.4 | 0.72 | 0.85 | 0.99 | 43.5 | 20.1 | 0.73 | 0.88 | 1.00 | 40.8 | 23.2 | 0.75 | 0.91 | 1.00 | 38.0 | 26.6 | 0.77 | 0.94 | 1.00 | | | | |
| | 1260 | 47.3 | 17.3 | 0.74 | 0.89 | 1.00 | 44.5 | 20.1 | 0.76 | 0.92 | 1.00 | 41.6 | 23.2 | 0.78 | 0.95 | 1.00 | 38.9 | 26.6 | 0.80 | 0.99 | 1.00 | | | | |
| | 1390 | 48.1 | 17.2 | 0.76 | 0.93 | 1.00 | 45.2 | 20.0 | 0.79 | 0.96 | 1.00 | 42.4 | 23.1 | 0.81 | 0.99 | 1.00 | 39.8 | 26.5 | 0.83 | 1.00 | 1.00 | | | | |
| 67°F | 1130 | 49.4 | 17.1 | 0.56 | 0.69 | 0.82 | 46.5 | 19.9 | 0.57 | 0.71 | 0.84 | 43.6 | 23.0 | 0.58 | 0.73 | 0.87 | 40.7 | 26.4 | 0.60 | 0.75 | 0.91 | | | | |
| | 1260 | 50.3 | 17.0 | 0.58 | 0.72 | 0.86 | 47.5 | 19.8 | 0.59 | 0.74 | 0.88 | 44.4 | 22.9 | 0.60 | 0.76 | 0.92 | 41.5 | 26.4 | 0.62 | 0.79 | 0.96 | | | | |
| | 1390 | 51.2 | 17.0 | 0.59 | 0.74 | 0.89 | 48.1 | 19.7 | 0.61 | 0.77 | 0.93 | 45.0 | 22.9 | 0.62 | 0.79 | 0.96 | 42.1 | 26.3 | 0.64 | 0.82 | 1.00 | | | | |
| 71°F | 1130 | 52.8 | 16.8 | 0.43 | 0.55 | 0.66 | 49.8 | 19.6 | 0.43 | 0.56 | 0.68 | 46.8 | 22.7 | 0.43 | 0.57 | 0.70 | 43.7 | 26.2 | 0.44 | 0.58 | 0.73 | | | | |
| | 1260 | 53.8 | 16.7 | 0.43 | 0.56 | 0.69 | 50.7 | 19.5 | 0.43 | 0.57 | 0.71 | 47.5 | 22.7 | 0.44 | 0.59 | 0.73 | 44.5 | 26.1 | 0.44 | 0.60 | 0.76 | | | | |
| | 1390 | 54.6 | 16.6 | 0.44 | 0.58 | 0.72 | 51.4 | 19.4 | 0.44 | 0.59 | 0.74 | 48.2 | 22.6 | 0.45 | 0.61 | 0.77 | 45.0 | 26.0 | 0.45 | 0.63 | 0.80 | | | | |

| 5 TON - PRP16GE60 (2ND STAGE) | | | | | | | | | | | | | | | | | | | | | | | | | |
|-------------------------------|------------------|---|-------------------|-------------------------------|------|-------|-----------------|-------------------|-------------------------------|------|-------|-----------------|-------------------|-------------------------------|------|-------|-----------------|-------------------|-------------------------------|-------|------|--|--|--|--|
| ENTERING WET BULB TEMPERATURE | TOTAL AIR VOLUME | OUTDOOR AIR TEMPERATURE ENTERING OUTDOOR COIL | | | | | | | | | | | | | | | | | | | | | | | |
| | | 85°F | | | | | | 95°F | | | | | | 105°F | | | | | | 115°F | | | | | |
| | | TOTAL COOL CAP. | COMP. MOTOR INPUT | SENSIBLE TO TOTAL RATIO (S/T) | | | TOTAL COOL CAP. | COMP. MOTOR INPUT | SENSIBLE TO TOTAL RATIO (S/T) | | | TOTAL COOL CAP. | COMP. MOTOR INPUT | SENSIBLE TO TOTAL RATIO (S/T) | | | TOTAL COOL CAP. | COMP. MOTOR INPUT | SENSIBLE TO TOTAL RATIO (S/T) | | | | | | |
| | | | | DRY BULB | | | | | DRY BULB | | | | | DRY BULB | | | | | DRY BULB | | | | | | |
| CFM | KBTUH | KW | 75°F | 80°F | 85°F | KBTUH | KW | 75°F | 80°F | 85°F | KBTUH | KW | 75°F | 80°F | 85°F | KBTUH | KW | 75°F | 80°F | 85°F | | | | | |
| 63°F | 1600 | 57.8 | 38.6 | 0.75 | 0.88 | 1.00 | 55.1 | 42.7 | 0.76 | 0.91 | 1.00 | 52.0 | 47.4 | 0.78 | 0.93 | 1.00 | 49.1 | 52.7 | 0.80 | 0.96 | 1.00 | | | | |
| | 1800 | 59.0 | 38.7 | 0.78 | 0.92 | 1.00 | 56.1 | 42.8 | 0.80 | 0.95 | 1.00 | 53.2 | 47.6 | 0.80 | 0.98 | 1.00 | 50.2 | 52.9 | 0.82 | 1.00 | 1.00 | | | | |
| | 2000 | 60.1 | 38.8 | 0.79 | 0.96 | 1.00 | 57.2 | 43.0 | 0.81 | 0.99 | 1.00 | 54.4 | 47.7 | 0.82 | 1.00 | 1.00 | 51.7 | 53.1 | 0.83 | 1.00 | 1.00 | | | | |
| 67°F | 1600 | 61.7 | 39.1 | 0.58 | 0.73 | 0.85 | 58.5 | 43.1 | 0.59 | 0.75 | 0.88 | 55.4 | 47.8 | 0.60 | 0.77 | 0.91 | 52.2 | 53.2 | 0.62 | 0.79 | 0.93 | | | | |
| | 1800 | 62.8 | 39.2 | 0.60 | 0.76 | 0.90 | 59.6 | 43.3 | 0.61 | 0.78 | 0.93 | 56.4 | 48.0 | 0.63 | 0.81 | 0.95 | 53.0 | 53.3 | 0.64 | 0.81 | 0.98 | | | | |
| | 2000 | 63.6 | 39.3 | 0.62 | 0.78 | 0.94 | 60.5 | 43.4 | 0.64 | 0.80 | 0.97 | 57.0 | 48.1 | 0.65 | 0.82 | 1.00 | 53.7 | 53.4 | 0.67 | 0.85 | 1.00 | | | | |
| 71°F | 1600 | 65.4 | 39.5 | 0.43 | 0.57 | 0.71 | 62.3 | 43.6 | 0.43 | 0.58 | 0.72 | 58.9 | 48.3 | 0.44 | 0.59 | 0.75 | 55.5 | 53.7 | 0.44 | 0.61 | 0.77 | | | | |
| | 1800 | 66.7 | 39.7 | 0.44 | 0.59 | 0.74 | 63.3 | 43.7 | 0.44 | 0.60 | 0.76 | 59.8 | 48.4 | 0.45 | 0.62 | 0.79 | 56.3 | 53.8 | 0.45 | 0.64 | 0.81 | | | | |
| | 2000 | 67.6 | 39.8 | 0.45 | 0.61 | 0.76 | 64.1 | 43.8 | 0.45 | 0.63 | 0.78 | 60.5 | 48.5 | 0.46 | 0.65 | 0.81 | 56.9 | 53.9 | 0.46 | 0.66 | 0.83 | | | | |

BLOWER DATA

| PRP16GE24 BLOWER PERFORMANCE 0 THROUGH 0.80 IN. W.G. EXTERNAL STATIC PRESSURE RANGE | | | | | | | | | | | | |
|--|---------------------------------------|-----|-----|-----|--------------------|------|-----|-----|------------------------------|-----|-----|-----|
| "ADJUST" JUMPER SETTING | BLOWER CONTROL JUMPER SPEED POSITIONS | | | | | | | | | | | |
| | "COOL" SPEED - CFM | | | | "HEAT" SPEED - CFM | | | | "CONTINUOUS FAN" SPEED - CFM | | | |
| | A | B | C | D | A | B | C | D | A | B | C | D |
| + | 1100 | 880 | 660 | 440 | 1100 | 1000 | 900 | 815 | 550 | 440 | 330 | 220 |
| NORM | 1000 | 800 | 600 | 400 | 1100 | 1000 | 900 | 815 | 500 | 400 | 300 | 200 |
| - | 900 | 720 | 540 | 360 | 1100 | 1000 | 900 | 815 | 450 | 360 | 270 | 180 |

NOTE - All air data is measured external to unit without air filters.

NOTE - 1st Stage airflow is 70% of 2nd Stage airflow (full capacity) in cooling mode. In heating mode, low stage airflow is optimized for a 40°F temperature rise.

| PRP16GE36 BLOWER PERFORMANCE 0 THROUGH 0.80 IN. W.G. EXTERNAL STATIC PRESSURE RANGE | | | | | | | | | | | | |
|--|---------------------------------------|------|------|-----|--------------------|------|------|-----|------------------------------|-----|-----|-----|
| "ADJUST" JUMPER SETTING | BLOWER CONTROL JUMPER SPEED POSITIONS | | | | | | | | | | | |
| | "COOL" SPEED - CFM | | | | "HEAT" SPEED - CFM | | | | "CONTINUOUS FAN" SPEED - CFM | | | |
| | A | B | C | D | A | B | C | D | A | B | C | D |
| + | 1540 | 1320 | 1100 | 880 | 1400 | 1200 | 1100 | 975 | 770 | 660 | 550 | 440 |
| NORM | 1400 | 1200 | 1000 | 800 | 1400 | 1200 | 1100 | 975 | 700 | 600 | 500 | 400 |
| - | 1260 | 1080 | 900 | 720 | 1400 | 1200 | 1100 | 975 | 630 | 540 | 450 | 360 |

NOTE - All air data is measured external to unit without air filters.

NOTE - 1st Stage airflow is 70% of 2nd Stage airflow (full capacity) in cooling mode. In heating mode, low stage airflow is optimized for a 40°F temperature rise.

| PRP16GE48 BLOWER PERFORMANCE 0 THROUGH 0.80 IN. W.G. EXTERNAL STATIC PRESSURE RANGE | | | | | | | | | | | | |
|--|---------------------------------------|------|------|------|--------------------|------|------|------|------------------------------|-----|-----|-----|
| "ADJUST" JUMPER SETTING | BLOWER CONTROL JUMPER SPEED POSITIONS | | | | | | | | | | | |
| | "COOL" SPEED - CFM | | | | "HEAT" SPEED - CFM | | | | "CONTINUOUS FAN" SPEED - CFM | | | |
| | A | B | C | D | A | B | C | D | A | B | C | D |
| + | 1980 | 1760 | 1540 | 1320 | 1350 | 1200 | 1100 | 1000 | 990 | 880 | 770 | 660 |
| NORM | 1800 | 1600 | 1400 | 1200 | 1350 | 1200 | 1100 | 1000 | 900 | 800 | 700 | 600 |
| - | 1620 | 1440 | 1260 | 1080 | 1350 | 1200 | 1100 | 1000 | 810 | 720 | 630 | 540 |

NOTE - All air data is measured external to unit without air filters.

NOTE - 1st Stage airflow is 70% of 2nd Stage airflow (full capacity) in cooling mode. In heating mode, low stage airflow is optimized for a 40°F temperature rise.

| PRP16GE60 BLOWER PERFORMANCE 0 THROUGH 0.80 IN. W.G. EXTERNAL STATIC PRESSURE RANGE | | | | | | | | | | | | |
|--|---------------------------------------|------|------|------|--------------------|------|------|------|------------------------------|-----|-----|-----|
| "ADJUST" JUMPER SETTING | BLOWER CONTROL JUMPER SPEED POSITIONS | | | | | | | | | | | |
| | "COOL" SPEED - CFM | | | | "HEAT" SPEED - CFM | | | | "CONTINUOUS FAN" SPEED - CFM | | | |
| | A | B | C | D | A | B | C | D | A | B | C | D |
| + | 2200 | 1980 | 1760 | 1540 | 1480 | 1380 | 1280 | 1180 | 1100 | 990 | 880 | 770 |
| NORM | 2000 | 1800 | 1600 | 1400 | 1480 | 1380 | 1280 | 1180 | 1000 | 900 | 800 | 700 |
| - | 1800 | 1620 | 1440 | 1260 | 1480 | 1380 | 1280 | 1180 | 900 | 810 | 720 | 630 |

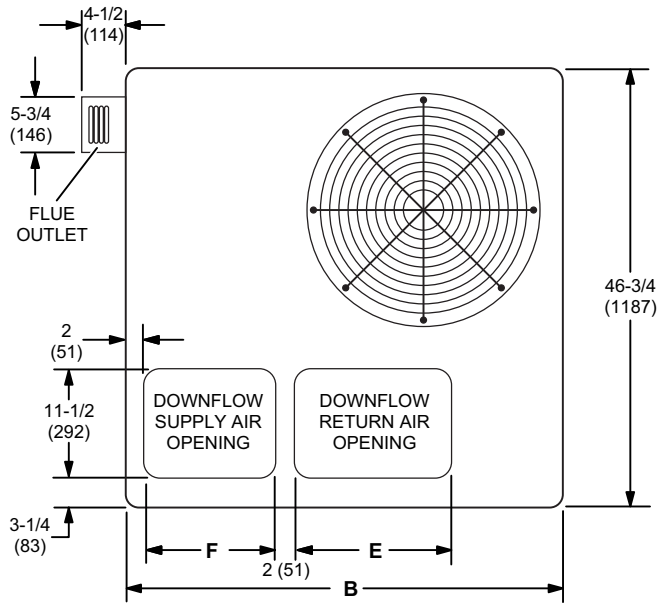
NOTE - All air data is measured external to unit without air filters.

NOTE - 1st Stage airflow is 70% of 2nd Stage airflow (full capacity) in cooling mode. In heating mode, low stage airflow is optimized for a 40°F temperature rise.

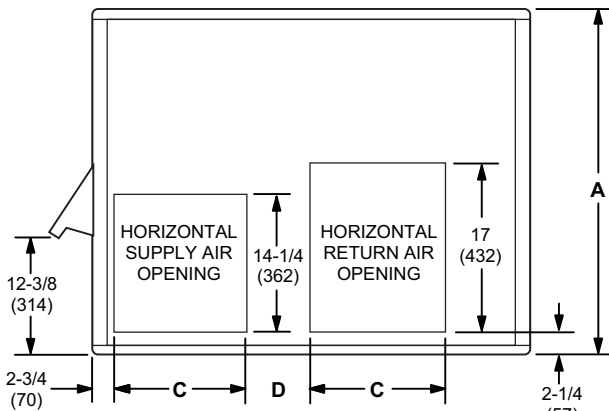
| INSTALLATION CLEARANCES | | |
|------------------------------------|-----|------|
| | IN. | MM |
| Front (heat exchanger access) | 24 | 610 |
| Right Side (blower access) | 24 | 610 |
| Left Side (evaporator coil access) | 24 | 610 |
| Back | 0 | 0 |
| Top | 48 | 1219 |

| MINIMUM CLEARANCE TO COMBUSTIBLE MATERIAL | | |
|---|-----|-----|
| | IN. | MM |
| Front | 0 | 0 |
| Back | 0 | 0 |
| Right Side (vent cover) | 12 | 305 |
| Left Side | 0 | 0 |
| Top | 0 | 0 |
| Below Unit | 0 | 0 |

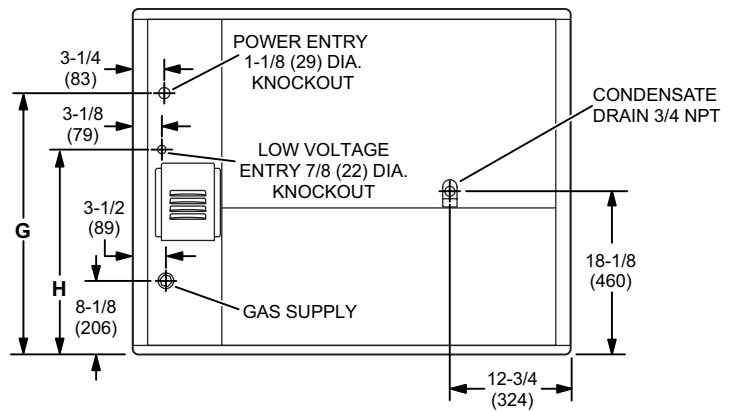
DIMENSIONS - UNIT - INCHES (MM)



TOP VIEW



BACK VIEW

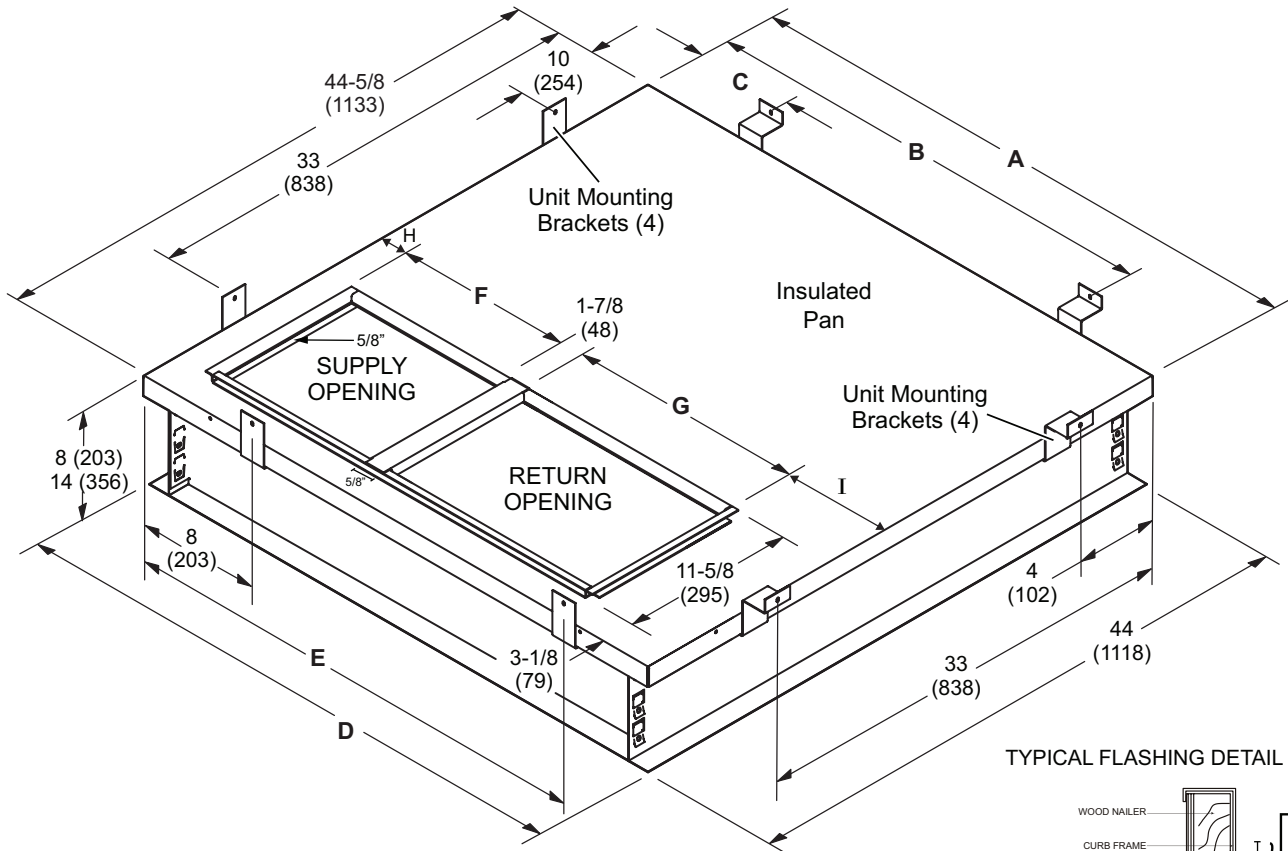


RIGHT SIDE VIEW

| MODEL NO. | A | | B | | C | | D | | E | |
|---------------|--------|------|--------|------|--------|-----|-------|-----|--------|-----|
| | IN. | MM | IN. | MM | IN. | MM | IN. | MM | IN. | MM |
| PRP16GE24, 36 | 36-7/8 | 937 | 46-3/4 | 1187 | 13-3/8 | 340 | 5-7/8 | 149 | 16-3/4 | 425 |
| PRP16GE48, 60 | 40-7/8 | 1038 | 55-1/4 | 1403 | 18-1/8 | 467 | 4-5/8 | 117 | 19-3/4 | 502 |
| MODEL NO. | F | | G | | H | | | | | |
| | IN. | MM | IN. | MM | IN. | MM | | | | |
| PRP16GE24, 36 | 14 | 356 | 28-1/8 | 714 | 22-1/8 | 562 | | | | |
| PRP16GE48, 60 | 19-1/2 | 495 | 32-1/8 | 816 | 26-1/8 | 664 | | | | |

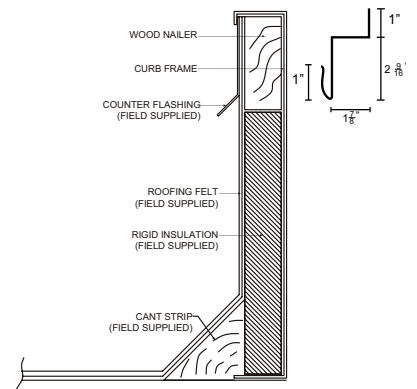
DIMENSIONS - ACCESSORIES - INCHES (MM)

CLIP CURB



NOTE - Roof deck may be omitted within confines of curb.

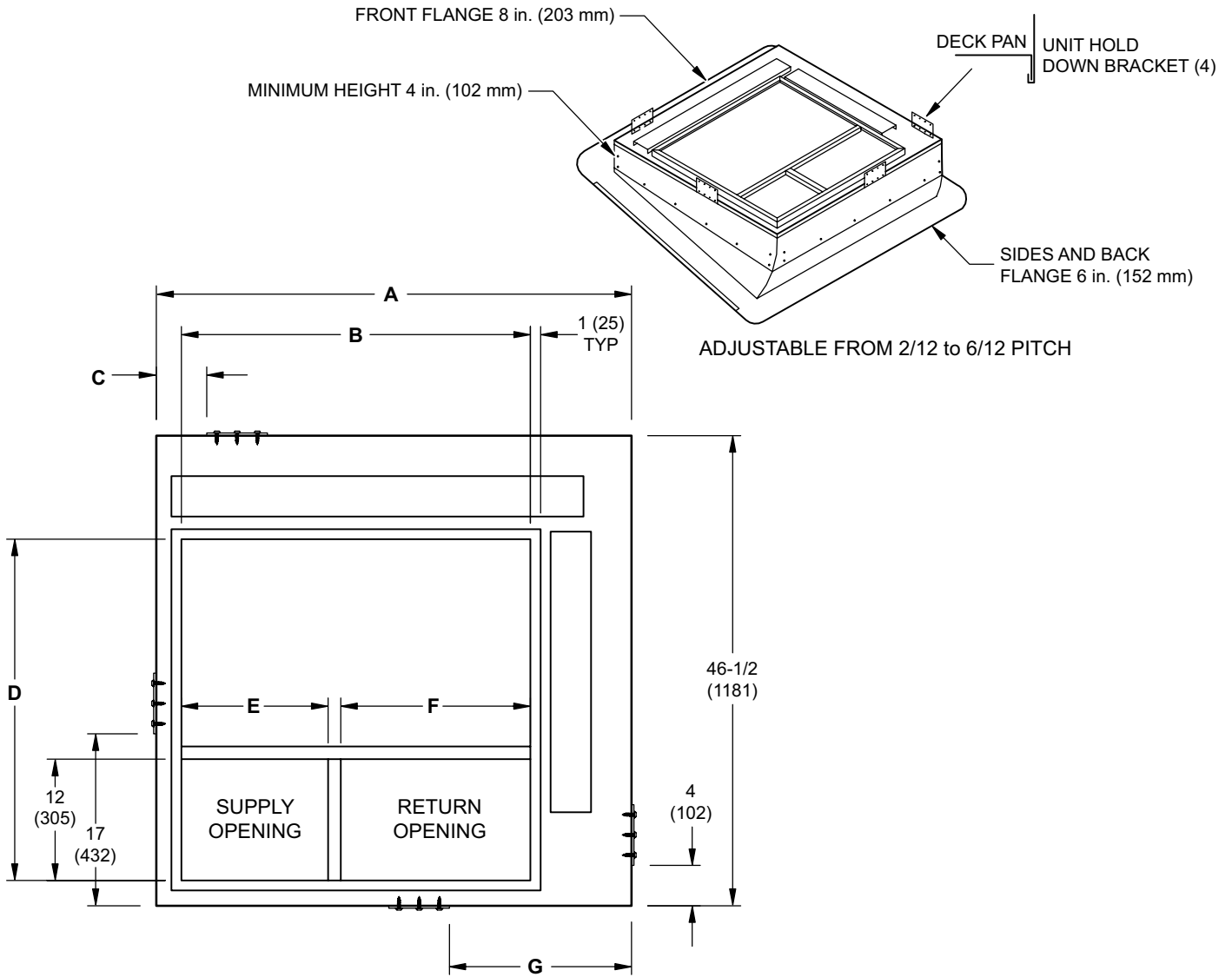
TYPICAL FLASHING DETAIL



| USAGE | A | | B | | C | | D | | E | |
|--------|--------|------|--------|------|-----|-----|--------|------|-----|------|
| | IN. | MM | IN. | MM | IN. | MM | IN. | MM | IN. | MM |
| 24, 36 | 44-5/8 | 1133 | 43 | 1092 | 18 | 457 | 44 | 1118 | 37 | 940 |
| 48, 60 | 53-1/8 | 1349 | 51 | 1295 | 24 | 610 | 52-1/2 | 1334 | 41 | 1041 |
| USAGE | F | | G | | H | | I | | | |
| | IN. | MM | IN. | MM | IN. | MM | IN. | MM | | |
| 24, 36 | 14 | 356 | 16-3/4 | 425 | 2 | 51 | 9-3/4 | 248 | | |
| 48, 60 | 19-1/2 | 495 | 19-3/4 | 502 | 2 | 51 | 10 | 254 | | |

DIMENSIONS - ACCESSORIES - INCHES (MM)

ADJUSTABLE PITCH ROOF CURB



| USAGE | A | | B | | C | | D | |
|------------|--------|------|--------|------|--------|-----|--------|-----|
| | IN. | MM | IN. | MM | IN. | MM | IN. | MM |
| 24, 30, 36 | 47 | 1194 | 34-1/2 | 876 | 5 | 127 | 33-3/4 | 857 |
| 42, 48, 60 | 55-1/4 | 1403 | 42-3/8 | 1076 | 10 | 254 | 33 | 838 |
| MODEL NO. | E | | F | | G | | | |
| | IN. | MM | IN. | MM | IN. | MM | | |
| 24, 30, 36 | 14-1/2 | 368 | 18-3/4 | 476 | 18 | 457 | | |
| 42, 48, 60 | 20 | 508 | 21-1/8 | 537 | 18-1/4 | 464 | | |

Must soruce locally



1-800-448-5872

All specifications and illustrations subject to change without notice and without incurring obligations.