

A931A

PRODUCT SPECIFICATIONS

SINGLE STAGE GAS FURNACE

FORM NO. A931A-100 (10/2018)



CONFIGURATIONS

- Upflow / Horizontal
- Downflow

HEAT EXCHANGER DESIGN

- Aluminized steel tapered crimped non-welded clamshell heat exchanger design
- AL 29-4C Stainless steel secondary heat exchanger

BURNER

- Aluminized steel inshot burners for smooth ignition

CABINET DESIGN

- Compact 33" height
- Standardized widths for easy coil fit

AIR DELIVERY SYSTEM

- Multi-speed PSC blower motor
- Easily removable slide out blower design

CONTROLS

- Single stage gas valve
- Durable silicon nitride ignitor
- Self diagnostics saving last 5 fault codes regardless of power interruption
- Control features electronic air cleaner and humidifier terminals

VENTING

- Certified for direct vent and indirect vent (1 and 2 pipe applications)

INSTALLATION FEATURES

- Left or right utility connections
- Removable floor base (upflow / horizontal units) for bottom return air
- Zero step horizontal conversion

WARRANTY

10 year limited parts warranty / lifetime heat exchanger warranty available. See limited warranty document for details.

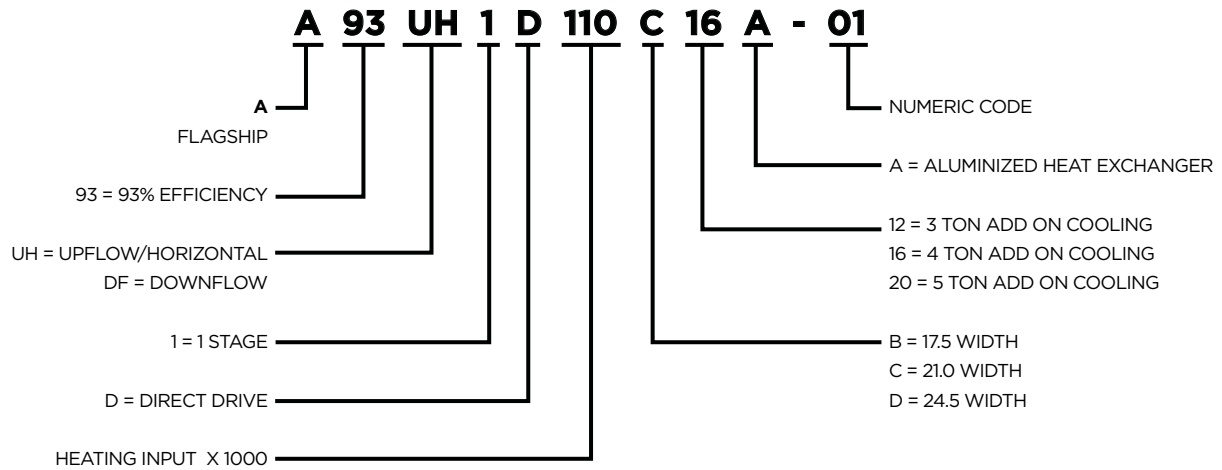
California Only

If installed in South Coast Air Quality Management District (SCAQMD) only: This furnace does not meet the SCAQMD Rule 1111 NOx emission limit (14 ng/J), and thus is subject to a mitigation fee of up to \$450. This furnace is not eligible for the Clean Air Furnace Rebate Program: www.CleanAirFurnaceRebate.com.

If installed in San Joaquin Valley Air Pollution Control District (SJVAPCD) only: This furnace does not meet the SJVAPCD Rule 4905 NOx emission limit (14 ng/J), and thus is subject to a mitigation fee of up to \$450.



MODEL NUMBER GUIDE



PHYSICAL AND ELECTRICAL DATA

	Model	Input (Btuh)	Output* (Btuh)	AFUE (ICS)	Nominal Cooling Capacity	Gas Inlet (in.)	Volts/ Hz/ Phase	Max. Time Delay Breaker or Fuse	Nominal F.L.A.	Trans. (V.A.)	Approx. Shipping Weight (lbs.)
UPFLOW/HORIZONTAL	A93UH1D045B08A	44,000	41,000	93.0%	1.5 - 2	1/2	120 - 60 - 1	15	3.1	40	120
	A93UH1D045B12A	44,000	42,000	93.0%	2.5 - 3	1/2	120 - 60 - 1	15	6.1	40	122
	A93UH1D070B08A	66,000	62,000	93.0%	1.5 - 2	1/2	120 - 60 - 1	15	3.1	40	125
	A93UH1D070B12A	66,000	61,000	93.0%	2.5 - 3	1/2	120 - 60 - 1	15	6.1	40	127
	A93UH1D090C12A	88,000	83,000	93.0%	2 - 3	1/2	120 - 60 - 1	15	6.1	40	143
	A93UH1D090C16A	88,000	83,000	93.0%	3 - 4	1/2	120 - 60 - 1	15	8.2	40	146
	A93UH1D110C16A	110,000	104,000	93.0%	3 - 4	1/2	120 - 60 - 1	15	8.2	40	155
	A93UH1D110C20A	110,000	104,000	93.0%	4 - 5	1/2	120 - 60 - 1	15	10.0	40	161
	A93UH1D135D20A	132,000	124,000	93.0%	4 - 5	1/2	120 - 60 - 1	15	10.0	40	178
DOWNFLOW	A93DF1D045B12A	44,000	42,000	93.0%	2.5 - 3	1/2	120 - 60 - 1	15	6.1	40	124
	A93DF1D070B12A	66,000	62,000	93.0%	2.5 - 3	1/2	120 - 60 - 1	15	6.1	40	129
	A93DF1D090C16A	88,000	84,000	93.0%	3 - 4	1/2	120 - 60 - 1	15	8.2	40	143
	A93DF1D110C20A	110,000	104,000	93.0%	4 - 5	1/2	120 - 60 - 1	15	11.5	40	162

Note: For vent length and clearances to combustibles, please reference installation instructions.

BLOWER PERFORMANCE DATA

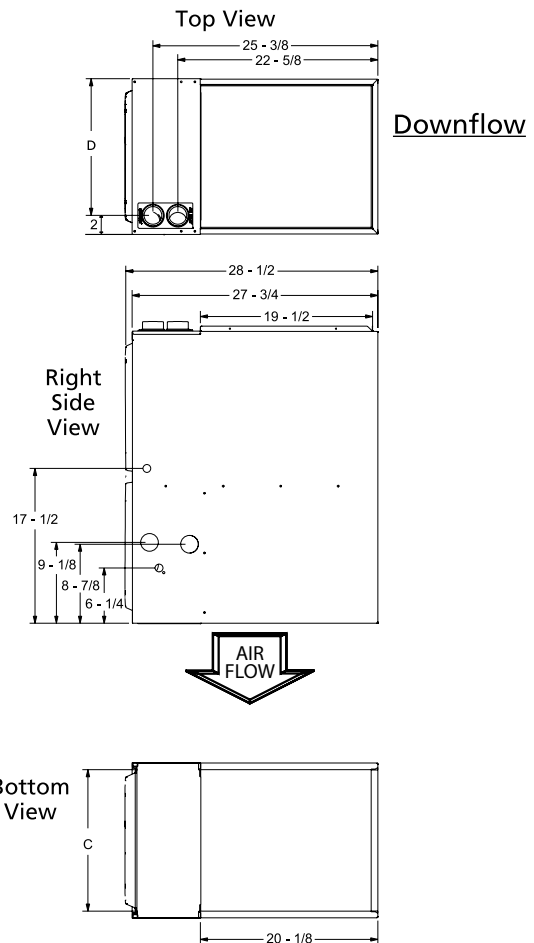
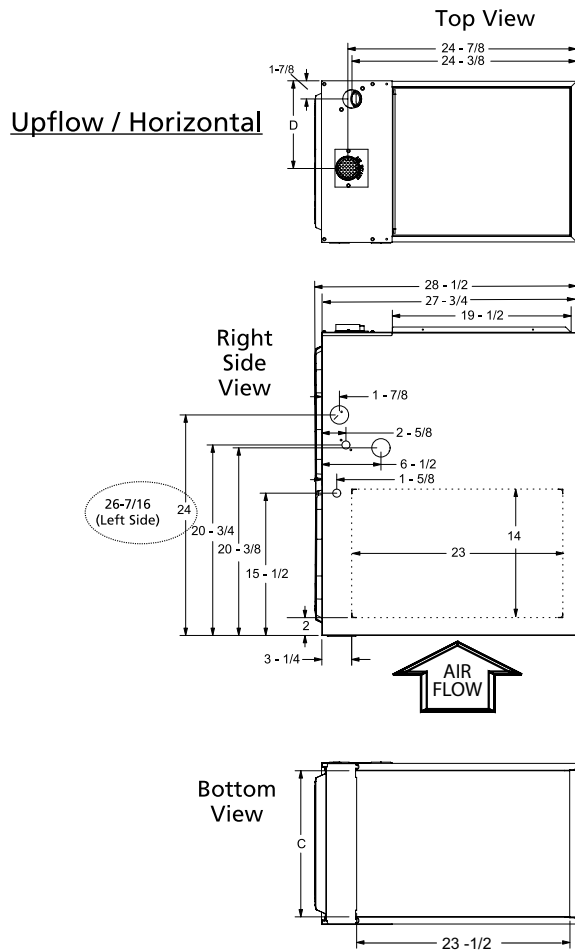
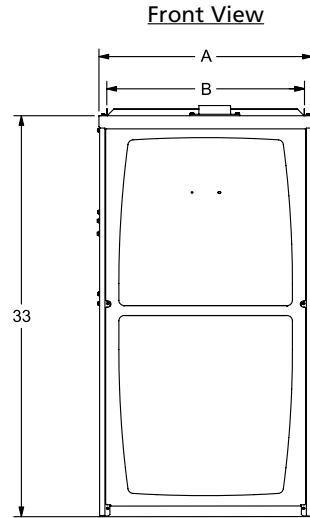
UPFLOW / HORIZONTAL	Model	Motor Size (hp)	Blower Size	Temp. Rise (°F)	Blower Speed	Heating CFM @ .10" - .80" w.c.							
						.20	.30	.40	.50	.60	.70	.80	.90
						A93UHD045B08A	1/5	10 x 8	35 - 65	Hi	1125	1090	1065
				Med/Hi	895	870	865	825	780	740	670	575	
				Med	755	725	715	675	640	585	510	460	
				Low	680	660	635	605	555	505	455	390	
A93UHD045B12A	1/3	10 x 8	25 - 55	Hi	1550	1480	1425	1355	1320	1225	1135	1025	
				Med/Hi	1330	1295	1280	1190	1165	1110	1050	950	
				Med	1150	1140	1105	1085	1030	975	920	800	
				Low	1000	975	970	940	900	855	780	700	
A93UHD070B08A	1/5	10 x 8	50 - 80	Hi	1125	1090	1065	1020	945	910	790	735	
				Med/Hi	895	870	865	825	780	740	670	575	
				Med	755	725	715	675	640	585	510	460	
				Low	680	660	635	605	555	505	455	390	
A93UHD070B12A	1/3	10 x 8	40 - 70	Hi	1535	1440	1405	1340	1255	1165	1060	955	
				Med/Hi	1340	1300	1255	1200	1125	1080	990	895	
				Med	1150	1110	1075	1045	995	935	870	750	
				Low	1025	1000	975	945	875	820	750	660	
A93UHD090C12A	1/3	10 x 8	50 - 80	Hi	1565	1525	1485	1431	1365	1295	1200	1060	
				Med/Hi	1335	1300	1295	1260	1210	1155	1065	955	
				Med	1145	1135	1110	1090	1035	995	930	820	
				Low	970	965	960	940	900	860	745	695	
A93UHD090C16A	1/2	10 x 10	40 - 70	Hi	1925	1850	1790	1700	1610	1540	1415	1270	
				Med/Hi	1675	1640	1575	1540	1455	1365	1265	1165	
				Med	1405	1400	1395	1350	1295	1225	1125	1060	
				Low	1205	1175	1170	1140	1100	1030	980	900	
A93UHD110C16A	1/2	10 x 10	50 - 80	Hi	1935	1885	1830	1750	1660	1540	1420	1290	
				Med/Hi	1675	1660	1585	1565	1485	1380	1290	1175	
				Med	1455	1410	1385	1320	1280	1230	1140	1045	
				Low	1230	1200	1190	1165	1105	1060	945	850	
A93UHD110C20A	3/4	11 1/2 X 10	40 - 70	Hi	2370	2270	2185	2115	2020	1910	1815	1680	
				Med/Hi	2180	2120	1995	1955	1865	1765	1675	1575	
				Med	1950	1885	1835	1760	1721	1630	1555	1440	
				Low	1670	1635	1605	1545	1485	1425	1330	1275	
A93UHD135D20A	3/4	11 1/2 X 10	45 - 75	Hi	2350	2260	2135	2095	1980	1885	1810	1690	
				Med/Hi	2170	2100	2050	1950	1875	1820	1690	1620	
				Med	1945	1915	1825	1805	1720	1680	1580	1505	
				Low	1710	1675	1655	1575	1540	1480	1405	1360	

BLOWER PERFORMANCE DATA

DOWNFLOW	Model	Motor Size (hp)	Blower Size	Temp. Rise (°F)	Blower Speed	Heating CFM @ .10" - .80" w.c.							
						.20	.30	.40	.50	.60	.70	.80	.90
						A93DFID045B1ZA	1/3	10 x 8	25 - 55	Hi	1500	1450	1350
				Med/Hi	1340	1290	1235	1170	1095	1020	920	800	
				Med	1165	1125	1090	1035	990	895	840	700	
				Low	1015	975	920	875	840	780	695	605	
A93DFID070B1ZA	1/3	10 x 8	50 - 80	Hi	1405	1355	1305	1270	1175	1105	1040	920	
				Med/Hi	1255	1225	1165	1110	1080	1000	925	825	
				Med	1055	1045	1010	975	925	855	790	680	
				Low	930	900	890	835	815	745	670	560	
A93DFID090C16A	1/2	10 x 10	40 - 70	Hi	2065	2010	1930	1845	1745	1620	1450	1320	
				Med/Hi	1815	1760	1705	1645	1525	1460	1340	1130	
				Med	1525	1510	1495	1450	1380	1315	1220	1010	
				Low	1285	1275	1235	1215	1185	1110	1020	920	
A93DFID110C20A	1	11½X 10	50 - 80	Hi	2285	2220	2185	2045	1965	1820	1625	1455	
				Med/Hi	2120	2015	1950	1830	1710	1610	1510	1390	
				Med	1850	1770	1750	1680	1575	1495	1400	1350	
				Low	1540	1535	1530	1500	1445	1370	1315	1210	

DIMENSIONS

	Model	A	B	C	D
UPFLOW/HORIZONTAL	A93UH1D045B08A	17-1/2	16-3/8	16	7-5/8
	A93UH1D045B12A	17-1/2	16-3/8	16	7-5/8
	A93UH1D070B08A	17-1/2	16-3/8	16	7-5/8
	A93UH1D070B12A	17-1/2	16-3/8	16	7-5/8
	A93UH1D090C12A	21	19-7/8	19-1/2	9-3/8
	A93UH1D090C16A	21	19-7/8	19-1/2	9-3/8
	A93UH1D110C16A	21	19-7/8	19-1/2	9-3/8
	A93UH1D110C20A	21	19-7/8	19-1/2	9-3/8
	A93UH1D135D20A	24-1/2	23-3/8	23	11-1/8
DOWNFLOW	A93DF1D045B12A	17-1/2	16-3/8	16	15-1/2
	A93DF1D070B12A	17-1/2	16-3/8	16	15-1/2
	A93DF1D090C16A	21	19-7/8	19-1/2	19
	A93DF1D110C20A	21	19-7/8	19-1/2	19



ACCESSORY LIST

CATALOG NUMBER	DESCRIPTION
External Filter Rack kits	
1.841018	1 pack (16 x 25)
1.841039	10 pack (16 x 25)
Natural to LP kits	
11K50	1-Stage - 90
11K45	High Altitude (>7500')
Return Air Base	
68W62	17.5" B Width
68W63	21.0" C Width
68W64	24.5" D Width
Downflow Combustible Flooring Base	
11M60	17.5" B Width
11M61	21.0" C Width
Night Service Kits	
68W80	Single Stage
Horizontal Suspension Kit	
51W10	80% & 90% Kit
Flush Mount Termination (90% Furnaces only) US Only	
51W11	2" & 3" Vent Version
Concentric Vent Kit (90% Furnaces only) US Only	
71M80	1-1/2" Vent Version
69M29	2" Vent Version
60L46	3" Vent Version

Note: For vent length and clearances to combustibles, please reference installation instructions.



1-800-448-5872

All specifications and illustrations subject to change without notice and without incurring obligations.