

# 4SCU14LB

## PRODUCT SPECIFICATIONS

SPLIT AIR CONDITIONER SYSTEM  
UP TO 16 SEER

FORM NO. 4SCU14LB-100 (12/2018)



### COMPRESSOR

- High-efficiency scroll compressor
- R410A refrigerant
- Grommet mounted compressor for quiet operation
- Heavy-duty compressor sound blanket for quiet operation (optional accessory)
- Internally protected against high temperature motor overload conditions

### CABINET

- Full metal louvered construction to protect the coil/ hail protection
- Individual louver panels; 2 screws to remove for ease of coil cleaning and service
- Corner-mounted controls for easy service
- Baked polyester paint finished over galvanized steel for maximum durability
- Removable PVC coated wire fan discharge grill
- 45-degree offset gauge ports for easy service
- Removable service panel for internal access
- External gauge ports for easy service

### COILS

- Omniguard™ total corrosion protection technology designed coil
- Enhanced tube-and-fin coil design featuring MHT™ Technology
- Lanced fins for maximum heat transfer
- Every coil factory tested for leakproof construction
- Raised coil prevents debris from impeding airflow

### COMPONENTS

- 45-degree offset gauge ports for easy service
- Factory installed high pressure switches
- Thread-on pressure switches for simple, quick replacement
- Filter drier shipped loose for installation flexibility
- Fan orifice for smoother airflow and sound level reduction
- Charged for 15 feet of line set
- Sealed Contactor with lugs

### WARRANTY

10 year limited warranty on compressor

10 year limited warranty on all parts, extended warranty available\*

*\*Warranty provides for a total of 10 years of limited warranty coverage (Standard 5-year limited parts warranty plus an additional 5-year limited extended parts warranty). Warranty must be registered online within 60 days of installation to qualify for 10-year coverage.*

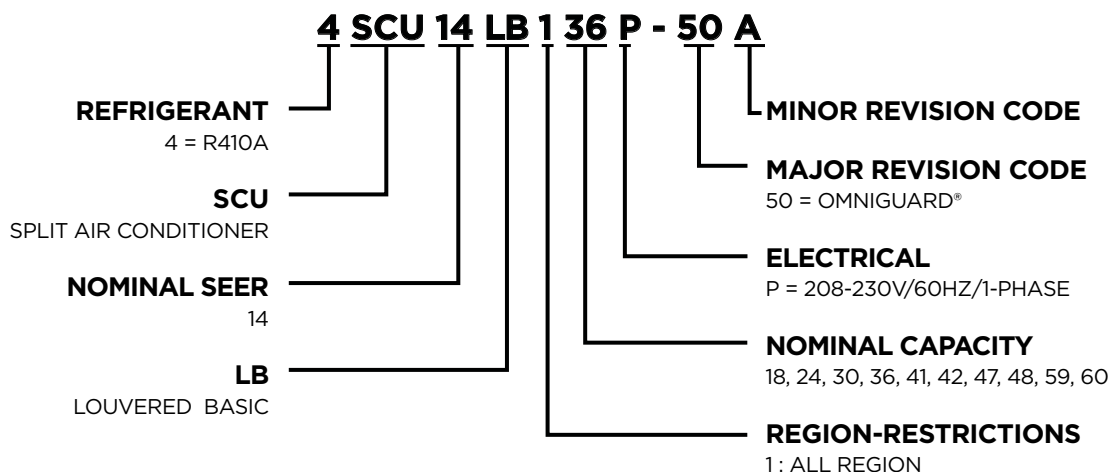
*Unregistered equipment defaults to 5-year coverage. Lifetime limited heat exchanger warranty applies to registered equipment only*

### NOTE:

For the latest AHRI system matches please visit [www.alliedratings.com](http://www.alliedratings.com) or [www.AHRInet.org](http://www.AHRInet.org)



**MODEL NUMBER GUIDE**



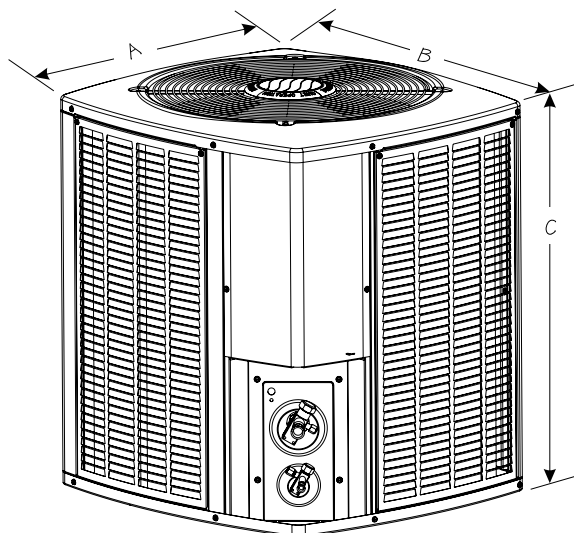
**ELECTRICAL AND PHYSICAL DATA**

| Model            | Voltage/Hz/<br>Phase | Voltage<br>Range | Min.<br>Circuit<br>Amp. | Max.<br>Over<br>Current<br>Device<br>(amps) | Compressor              |                           | Outdoor Fan Motor       |          |
|------------------|----------------------|------------------|-------------------------|---|-------------------------|---------------------------|-------------------------|----------|
|                  |                      |                  |                         |   | Rated<br>Load<br>(amps) | Locked<br>Rotor<br>(amps) | Rated<br>Load<br>(amps) | Rated HP |
| 4SCU14LB118P-50A | 208-230/60/1         | 197-253          | 11.9                    | 20  | 9.0                     | 48                        | 0.7                     | 1/10     |
| 4SCU14LB124P-50A | 208-230/60/1         | 197-253          | 14.6                    | 25  | 10.9                    | 52                        | 1.0                     | 1/6      |
| 4SCU14LB130P-50A | 208-230/60/1         | 197-253          | 17                      | 25  | 12.8                    | 63                        | 1.0                     | 1/6      |
| 4SCU14LB136P-50A | 208-230/60/1         | 197-253          | 18                      | 30  | 13.6                    | 79                        | 1.0                     | 1/6      |
| 4SCU14LB141P-50A | 208-230/60/1         | 197-253          | 19.3                    | 30  | 14.7                    | 75                        | 1.0                     | 1/6      |
| 4SCU14LB142P-50A | 208-230/60/1         | 197-253          | 23.4                    | 40  | 17.9                    | 112                       | 1.0                     | 1/6      |
| 4SCU14LB147P-50A | 208-230/60/1         | 197-253          | 22.9                    | 35  | 16.9                    | 94                        | 1.8                     | 1/3      |
| 4SCU14LB148P-50A | 208-230/60/1         | 197-253          | 24.2                    | 40  | 18.0                    | 94                        | 1.7                     | 1/4      |
| 4SCU14LB159P-50A | 208-230/60/1         | 197-253          | 28.8                    | 45  | 20.8                    | 127                       | 2.8                     | 1/3      |
| 4SCU14LB160P-50A | 208-230/60/1         | 197-253          | 29.6                    | 50  | 22.2                    | 128                       | 1.8                     | 1/3      |

Note:  
+ Factory charged for 15 feet of line set. Adjust per installation instructions.

**DIMENSIONS (IN.) AND SOUND RATINGS**

| Model            | Dimensions (inch) |              |               | Shipping<br>Weight<br>(Lbs.) | Sound<br>Rating<br>(dBA) |
|------------------|-------------------|--------------|---------------|------------------------------|--------------------------|
|                  | A -<br>Width      | B -<br>Depth | C -<br>Height |                              |                          |
| 4SCU14LB118P-50A | 24.75             | 26.75        | 29.75         | 155                          | 76                       |
| 4SCU14LB124P-50A | 29.38             | 31.25        | 29.75         | 171                          | 76                       |
| 4SCU14LB130P-50A | 29.38             | 31.25        | 37.75         | 187                          | 75                       |
| 4SCU14LB136P-50A | 29.38             | 31.25        | 29.75         | 205                          | 76                       |
| 4SCU14LB141P-50A | 29.38             | 31.25        | 37.75         | 227                          | 74                       |
| 4SCU14LB142P-50A | 29.38             | 31.25        | 37.75         | 234                          | 77                       |
| 4SCU14LB147P-50A | 35.75             | 37.75        | 33.75         | 272                          | 79                       |
| 4SCU14LB148P-50A | 29.38             | 31.25        | 37.75         | 255                          | 76                       |
| 4SCU14LB159P-50A | 35.75             | 37.75        | 43.75         | 284                          | 77                       |
| 4SCU14LB160P-50A | 35.75             | 37.75        | 43.75         | 284                          | 78                       |



**ACCESSORIES**

| Description           | Where Used                         | Kit Number |
|-----------------------|------------------------------------|------------|
| Crankcase Heater      | All Models                         | 93M04      |
| Hard Start Kit        | 18                                 | 10J42      |
|                       | 24, 30, 36, 41, 42, 47, 48, 59, 60 | 88M91      |
| Low Ambient Kit       | All models                         | 34M72      |
| Short Cycle Protector | All models                         | 47J27      |
| Freezestat            | 3/8 tubing                         | 93G35      |
| Time Delay Relay      | All Models                         | 58M81      |
| Loss of Charge Kit    | All models                         | 84M23      |
| Sound Blanket         | 18, 24, 30, 36 , 41                | 14W00      |
|                       | 42, 47, 48, 59, 60                 | 14W01      |
| TXV Kit               | 18, 24, 30                         | H4TXV01    |
|                       | 36, 41, 42, 47, 48                 | H4TXV02    |
|                       | 59, 60                             | H4TXV03    |

**REFRIGERATION DATA**

| Model            | Refrig. Charge (oz.) * | TXV     | Refrigerant Line Size |        | Outdoor Unit Connection |        | Indoor Unit Connection |        |
|------------------|------------------------|---------|-----------------------|--------|-------------------------|--------|------------------------|--------|
|                  |                        |         | Suction               | Liquid | Suction                 | Liquid | Suction                | Liquid |
| 4SCU14LB118P-50A | 73                     | H4TXV01 | 3/4                   | 3/8    | 3/4                     | 3/8    | 3/4                    | 3/8    |
| 4SCU14LB124P-50A | 73                     | H4TXV01 | 3/4                   | 3/8    | 3/4                     | 3/8    | 3/4                    | 3/8    |
| 4SCU14LB130P-50A | 100                    | H4TXV01 | 3/4                   | 3/8    | 3/4                     | 3/8    | 3/4                    | 3/8    |
| 4SCU14LB136P-50A | 113                    | H4TXV02 | 7/8                   | 3/8    | 7/8                     | 3/8    | 7/8                    | 3/8    |
| 4SCU14LB141P-50A | 144                    | H4TXV02 | 7/8                   | 3/8    | 7/8                     | 3/8    | 7/8                    | 3/8    |
| 4SCU14LB142P-50A | 140                    | H4TXV02 | 7/8                   | 3/8    | 7/8                     | 3/8    | 7/8                    | 3/8    |
| 4SCU14LB147P-50A | 176                    | H4TXV02 | 7/8                   | 3/8    | 7/8                     | 3/8    | 7/8                    | 3/8    |
| 4SCU14LB148P-50A | 156                    | H4TXV02 | 7/8                   | 3/8    | 7/8                     | 3/8    | 7/8                    | 3/8    |
| 4SCU14LB159P-50A | 192                    | H4TXV03 | 1 1/8                 | 3/8    | 7/8**                   | 3/8    | 7/8                    | 3/8    |
| 4SCU14LB160P-50A | 192                    | H4TXV03 | 1 1/8                 | 3/8    | 7/8**                   | 3/8    | 7/8                    | 3/8    |

\* Factory charged for 15 feet of line set

\*\* Adapter shipped with unit

**COOLING PERFORMANCE**

| Outdoor Model    | Indoor Model | Capacity (BTUH) | EER   | SEER  |
|------------------|--------------|-----------------|-------|-------|
| 4SCU14LB118P-50A | EAC4X24B     | 18,000          | 12.20 | 14.00 |
| 4SCU14LB124P-50A | EAC4X24B     | 23,200          | 12.20 | 14.25 |
| 4SCU14LB130P-50A | EAC4X30B     | 28,000          | 12.20 | 14.25 |
| 4SCU14LB136P-50A | EAC4X36B     | 34,000          | 12.20 | 14.50 |
| 4SCU14LB141P-50A | EAC4X49C     | 37,000          | 12.50 | 15.10 |
| 4SCU14LB142P-50A | EAC4X49C     | 41,000          | 12.20 | 14.25 |
| 4SCU14LB147P-50A | EAC4X60C     | 46,000          | 12.50 | 14.50 |
| 4SCU14LB148P-50A | EAC4X60C     | 46,000          | 11.70 | 14.25 |
| 4SCU14LB159P-50A | EAC4X60C     | 57,000          | 12.20 | 14.25 |
| 4SCU14LB160P-50A | EAC4X60C     | 57,500          | 11.70 | 14.00 |

**NOTE:**

For the latest AHRI system matches please visit [www.alliedratings.com](http://www.alliedratings.com) or [www.AHRInet.org](http://www.AHRInet.org)



1-800-448-5872

All specifications and illustrations subject to change without notice and without incurring obligations.