



INSTALLATION INSTRUCTIONS

LXIHG12
FEBRUARY 6, 2009

**KITS COMMON TO COOLING
AND HEAT PUMP EQUIPMENT**

**HAIL GUARDS FOR
TSA 072-240 / TPA 090-120**

I - APPLICATION

The hail guard is designed to prevent damage to the condenser coil of the unit. The following parts are required:

II - SHIPPING AND PACKING LIST

Catalog Number	47W16	47W17	47W18	47W19
Unit Designation	TSA 072-090	TPA090; TSA120	TPA120;TSA150	TSA180-240
Guard Assembly Qty.	3 ea.	3 ea.	4 ea.	3 ea.
#10-16 x 1/2 Hextek Screws	18 ea.	18 ea.	24 ea.	18 ea.
#10-16 x 1/2 Type A Screws	18 ea.	18 ea.	24 ea.	18 ea.
Installation Instructions	1 ea.	1 ea.	1 ea.	1 ea.

*Guard Assembly:

- 1 ea. Hail Guard Top (A)
- 1 ea. Hail Guard Diamond Cut (B)
- 1 ea. Hail Guard Left Panel (C)
- 1 ea. Hail Guard Right Panel (D)

CAUTION
WHEN INSTALLING BE SURE NOT TO
PUNCTURE CONDENSER COIL.

III - INSTALLATION

Step 1:

Lay Hail Guard Diamond Cut (B) on flat surface with bends facing upwards. See Figure 2.

Step 2:

Open clip-locks on Hail Guard Left and Right Panels (C & D) and position next to Mesh (B). Close clip locks onto mesh flange attaching mesh to side panels. See Figure 3.

Step 3:

Position to Hail Guard Top Panel (A) so that clearance holes line up with side panels C&D take holes. Secure using supplied #10-16 x 1/2 Type A screws (6 places). See Figure 4.

Step 4:

Place the back flange of the Top Panel (A) under the rooftop unit top panel. See Figure 5. This may require assistance on the larger guards. Make sure guard is centered over the opening. Guard Assembly should rest on top of base frame rail and under top flange. See Figure 6. Secure to unit using #10-16 x 1/2 Hextek Screws. If panel lines up with unit take holes remove screw from unit and reattach.

Step 5:

Repeat steps for remaining Guard Assemblies.

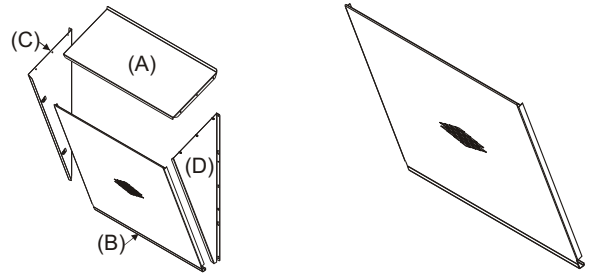


Figure 1

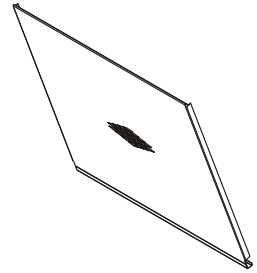


Figure 2

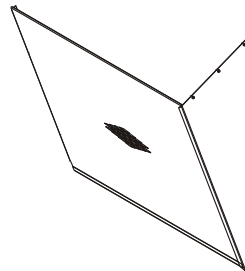


Figure 3

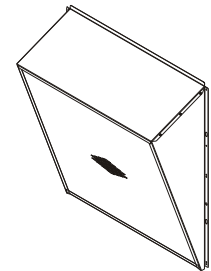


Figure 4

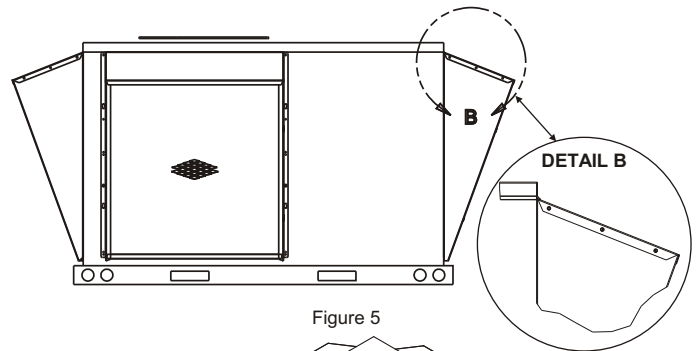


Figure 5

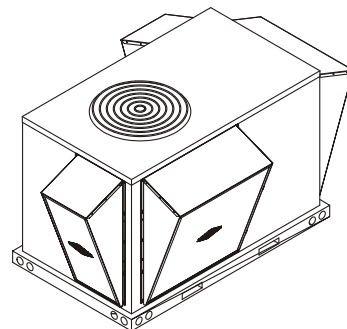


Figure 6