

54W83, 98W77

INSTALLATION INSTRUCTIONS

KITS COMMON TO COOLING
AND HEAT PUMP EQUIPMENT

HAIL GUARDS
LGH/LCH 156; KGA/KCA 156H;
KGA/KCA180S,210S

APPLICATION

The hail guard 54W83, 98W77 is designed to prevent damage to the condenser coil of the HVAC unit. The following parts are included in the package:

SHIPPING AND PACKING LIST

- 1 ea. - Hail Guard Top - (A)
- 1 ea. - Hail Guard Right Side - (B)
- 1 ea. - Hail Guard Left Side - (C)
- 1 ea. - Hail Guard Diamond cut screen assembly - (D)
- 1 ea. - Hardware Package
- 1 ea. - Installation Instruction
- 14 ea. - #10 - 16" x 1/2" Screws

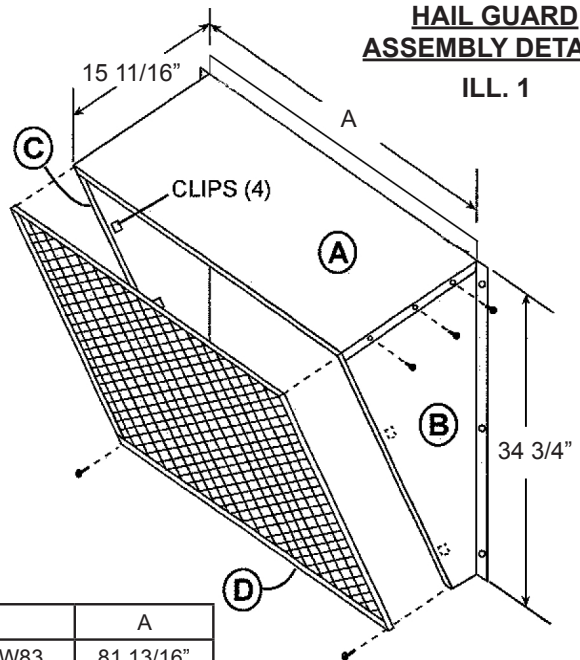
CAUTION!!

WHEN INSTALLING GUARD, USE CARE TO
NOT PUNCTURE CONDENSER COIL

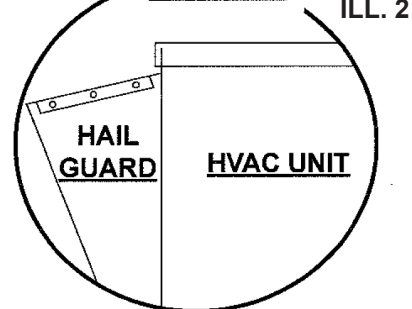
INSTALLATION

1. Assemble the right [B] and left [C] hail guard sides to the hail guard top [A]. Screw together with provided #10 screws. See assembly detail, ILL. 1.
2. Install hail guard diamond cut screen assembly into hail guard. Screw the bottom angle into the hail guard sides, and secure the assembly sides to the hail guard sides by inserting the screen into the clips and closing them. See ILL. 1 and 3.
3. Set the assembly in place in front of the condenser coil. Insert the top flange of the hail guard UNDERNEATH the top flange of the HVAC unit. See ILL. 2 and 4. Align hail guard sides vertically so cut-outs miss the coil bolts on both sides (see front view detail).
4. Screw in place with 1/2" self-drilling screws in pre-punched holes. USE CAUTION. DO NOT PUNCTURE THE CONDENSER COIL. ILL. 4.

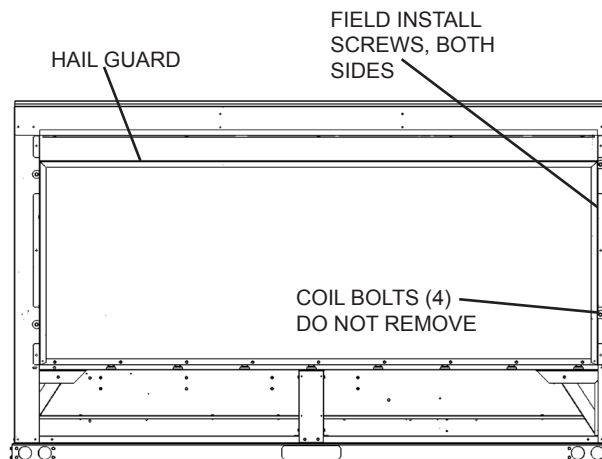
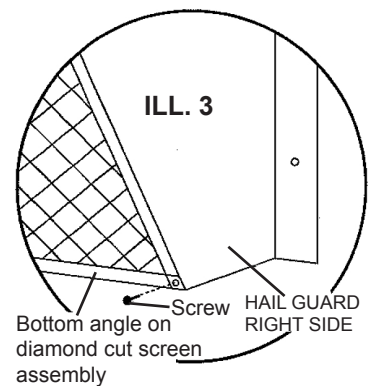
HAIL GUARD ASSEMBLY DETAILS



SIDE VIEW



ILL. 3



ILL. 4 - FRONT VIEW DETAIL

IMPORTANT:
CENTER HAIL GUARD
SIDE-TO-SIDE OVER
CONDENSER COIL