

4SCU13

PRODUCT SPECIFICATIONS

3 PHASE SPLIT SYSTEM AIR CONDITIONER

FORM NO. 4SCU13LC-100 (03/2017)



- Indoor coil orifice shipped with outdoor unit for optimum efficiency and capacity
- Charged for 15 ft. of line set
- Trade available components
- High pressure cutout kit
- Crank case heater

DESIGN

- Designed for ambients up to 125°F

ACCESSORIES

- Low ambient control
- Thermal expansion valve kits
- Short cycle protection kit

WARRANTIES

- 1 year parts; 5 year compressor

COMPRESSOR

- High-efficiency scroll compressor
- R410A refrigerant
- Grommet-mounted compressor for quiet operation
- Internally protected against high temperature motor overload conditions

CABINET

- Full metal louvered panel coil guard protection
- Controls located in corner post for easy installation and service
- Rounded corners for safety and attractive, clean appearance
- Baked polyester paint finish over galvanized steel for maximum durability
- External gauge ports for easy service

COIL

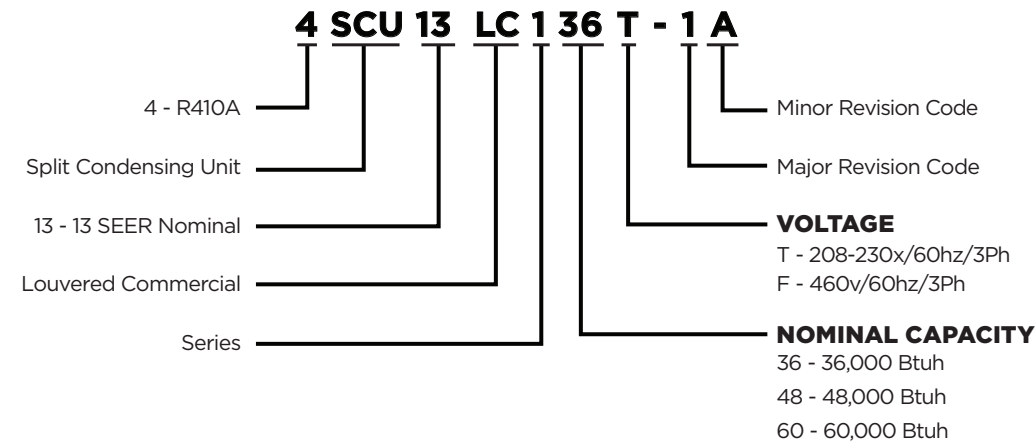
- Enhanced aluminum fins and copper tubing for high efficiency and capacity
- Raised coil prevents debris from collecting in bottom of coil and causing loss of airflow

COMPONENTS

- Full metal louvered panels remove with just two screws per panel for easy coil cleaning and service
- Filter drier installed for system protection
- Service valves positioned for quick installation and easy service



MODEL NUMBER GUIDE

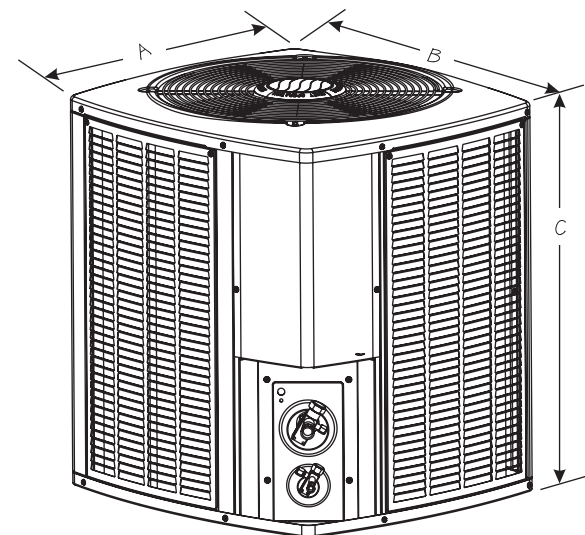


ELECTRICAL AND PHYSICAL DATA

Model	Voltage/ Phase/ Hz	Voltage Range	Min. Circuit Amp.	Max. Over current Device (amps)	Compressor		Fan Motor			Refrig. Charge (oz.)	Weight (lbs.)
					Rated Load (amps)	Locked Rotor (amps)	Rated Load (amps)	Rated HP	Nom. RPM		
4SCU13LC136T	208-230/3/60	197 - 253	14.2	20	10.4	73.0	1.1	1/5	1075	89	202
4SCU13LC148T	208-230/3/60	197 - 253	18.8	30	13.7	83.1	1.7	1/4	825	122	220
4SCU13LC160T	208-230/3/60	197 - 253	21.3	35	15.6	110.0	1.7	1/4	825	160	282
4SCU13LC136F	460/3/60	414 - 506	7.8	15	5.8	38.0	0.55	1/5	1075	89	202
4SCU13LC148F	460/3/60	414 - 506	8.8	15	6.2	41.0	1.0	1/4	825	122	220
4SCU13LC160F	460/3/60	414 - 506	10.7	15	7.8	52.0	1.0	1/4	825	160	282

DIMENSIONS (IN.) AND SOUND RATINGS

Model No. (T and F Models)	A	B	C	Sound Ratings dBA
4SCU13LC136	24-3/4	26-3/4	29-3/4	76
4SCU13LC148	29-3/8	31-1/4	37-3/4	78
4SCU13LC160	29-3/8	31-1/4	33-3/4	78



COOLING PERFORMANCE WITH EVAPORATOR COILS

Outdoor Model	Indoor Model	SEER	EER	AHRI Rated Capacity ¹	Rated Sensible Capacity Btuh	CFM	Refrigerant Connection				Refrigerant Line Size		Indoor Expansion Device	
	Evaporator Coil ³						Outdoor		Indoor		Suction	Liquid	Piston ²	TXV
							Suction	Liquid	Suction	Liquid				
4SCU13LC136F	E(U,C,M)1P50C	13.00	10.80	34,800	26,100	1200	7/8	3/8	7/8	3/8	7/8	3/8	0.073	A4TXV02
	E(U,C,M)1P50C	13.00	10.80	34,800	26,100	1200	7/8	3/8	7/8	3/8	7/8	3/8	0.073	A4TXV02
	E(U,C,M)1P50C	13.00	10.80	34,800	26,100	1200	7/8	3/8	7/8	3/8	7/8	3/8	0.073	A4TXV02
4SCU13LC136T	E(U,C,M)1P50C	13.00	10.80	34,800	26,100	1200	7/8	3/8	7/8	3/8	7/8	3/8	0.073	A4TXV02
	E(U,C,M,H)1P36A,B,C	13.00	10.80	34,800	26,100	1200	7/8	3/8	7/8	3/8	7/8	3/8	0.073	A4TXV02
	E(U,C,M,H)1P43B,C	13.00	10.80	34,800	26,100	1200	7/8	3/8	7/8	3/8	7/8	3/8	0.073	A4TXV02
4SCU13LC148F	E(U,C)1P60D	13.00	10.80	47,000	34,800	1600	7/8	3/8	7/8	3/8	7/8	3/8	0.081	A4TXV02
	E(U,C,H)1P49C	13.00	10.80	47,000	34,800	1600	7/8	3/8	7/8	3/8	7/8	3/8	0.081	A4TXV02
	E(U,C,H)1P62C	13.00	10.80	47,000	34,800	1600	7/8	3/8	7/8	3/8	7/8	3/8	0.081	A4TXV02
	E(U,C,H)1P62D	13.00	10.80	47,000	34,800	1600	7/8	3/8	7/8	3/8	7/8	3/8	0.081	A4TXV02
	E(U,C,M)1P48C	13.00	10.80	46,500	34,400	1600	7/8	3/8	7/8	3/8	7/8	3/8	0.081	A4TXV02
4SCU13LC148T	E(U,C,M)1P50C	13.00	10.80	47,000	34,800	1600	7/8	3/8	7/8	3/8	7/8	3/8	0.081	A4TXV02
	E(U,C)1P60D	13.00	10.80	47,000	34,800	1600	7/8	3/8	7/8	3/8	7/8	3/8	0.081	A4TXV02
	E(U,C,H)1P49C	13.00	10.80	47,000	34,800	1600	7/8	3/8	7/8	3/8	7/8	3/8	0.081	A4TXV02
	E(U,C,H)1P62C	13.00	10.80	47,000	34,800	1600	7/8	3/8	7/8	3/8	7/8	3/8	0.081	A4TXV02
	E(U,C,H)1P62D	13.00	10.80	47,000	34,800	1600	7/8	3/8	7/8	3/8	7/8	3/8	0.081	A4TXV02
	E(U,C,M)1P48C	13.00	10.80	46,500	34,400	1600	7/8	3/8	7/8	3/8	7/8	3/8	NA	A4TXV02
4SCU13LC160F	E(U,C,M)1P50C	13.00	10.80	47,000	34,800	1600	7/8	3/8	7/8	3/8	7/8	3/8	0.081	A4TXV02
	E(U,C,H)1P49C	13.00	11.00	58,000	41,200	1800	7/8	3/8	7/8	3/8	11/8	3/8	0.090	H4TXV03
	E(U,C,H)1P62C	13.00	11.00	58,000	41,200	1800	7/8	3/8	7/8	3/8	11/8	3/8	0.090	H4TXV03
4SCU13LC160T	E(U,C,H)1P62D	13.00	11.00	58,000	41,200	1800	7/8	3/8	7/8	3/8	11/8	3/8	0.090	H4TXV03
	E(U,C,H)1P62D	13.00	11.00	58,000	41,200	1800	7/8	3/8	7/8	3/8	11/8	3/8	0.090	H4TXV03
	E(U,C,H)1P62D	13.00	11.00	58,000	41,200	1800	7/8	3/8	7/8	3/8	11/8	3/8	0.090	H4TXV03

Note:

¹ Certified in accordance with Unitary Air Conditioner Certification Program, which is based on AHRI Standard 210/240

² Required to achieve AHRI rating. If NA (Not Applicable) is in the piston column, then TXV is required.

³ A blower time delay relay is required to achieve AHRI rating. This feature is standard on all Allied Air Enterprises furnace and AH products.

COOLING PERFORMANCE WITH AIR HANDLERS AND FURNACES

Outdoor Model	Indoor Model	Variable Speed Furnace	SEER	EER	Rated ARI Capacity ¹ BTUH	Rated Sensible Capacity BTUH	CFM	Refrigerant Connection				Refrigerant Line Size		Indoor Expansion Device	
	Evaporator Coil or Air Handler ³							Outdoor		Indoor		Suction	Liquid	Piston ²	TXV
								Suction	Liquid	Suction	Liquid				
45CU13LC136F	E(U,C,M,H)1P36A	80G2UH070AV12	13.5	11.0	35,000	26,300	1200	7/8	3/8	3/4	3/8	7/8	3/8	0.072	A4TXV02
	E(U,C,M)1P50C	80G2UH110CV20	14.0	11.5	35,200	26,400	1200	7/8	3/8	7/8	3/8	7/8	3/8	0.072	A4TXV02
	E(U,C,M,H)1P36C	80G2UH110CV20	13.5	11.5	35,000	26,300	1200	7/8	3/8	3/4	3/8	7/8	3/8	0.072	A4TXV02
	E(U,C,M,H)1P36A	A80DFIE045A12	13.5	11.0	35,000	26,300	1200	7/8	3/8	3/4	3/8	7/8	3/8	0.072	A4TXV02
	E(U,C,M,H)1P36B	A80DFIE090B16	13.5	11.0	35,000	26,300	1200	7/8	3/8	3/4	3/8	7/8	3/8	0.072	A4TXV02
	E(U,C,M)1P50C	A80DFIE110C20	14.0	11.5	35,200	26,400	1200	7/8	3/8	7/8	3/8	7/8	3/8	0.072	A4TXV02
	E(U,C,M,H)1P36C	A80DFIE110C20	13.5	11.0	35,000	26,300	1200	7/8	3/8	3/4	3/8	7/8	3/8	0.072	A4TXV02
	E(U,C,M,H)1P36B	A80DF2V090B16	13.5	11.5	35,000	26,300	1200	7/8	3/8	3/4	3/8	7/8	3/8	0.072	A4TXV02
	E(U,C,M)1P50C	A80DF2V110C20	14.0	11.5	35,200	26,400	1200	7/8	3/8	7/8	3/8	7/8	3/8	0.072	A4TXV02
	E(U,C,M,H)1P36C	A80DF2V110C20	13.5	11.5	35,000	26,300	1200	7/8	3/8	3/4	3/8	7/8	3/8	0.072	A4TXV02
	E(U,C,M,H)1P36A	A80UH1E045A12*	13.5	11.0	35,000	26,300	1200	7/8	3/8	3/4	3/8	7/8	3/8	0.072	A4TXV02
	E(U,C,M,H)1P36B	A80UH1E070B12*	13.5	11.0	35,000	26,300	1200	7/8	3/8	3/4	3/8	7/8	3/8	0.072	A4TXV02
	E(U,C,M,H)1P36B	A80UH1E090B16*	13.5	11.0	35,000	26,300	1200	7/8	3/8	3/4	3/8	7/8	3/8	0.072	A4TXV02
	E(U,C,M)1P50C	A80UH1E090C20*	14.0	11.5	35,200	26,400	1200	7/8	3/8	7/8	3/8	7/8	3/8	0.072	A4TXV02
	E(U,C,M,H)1P36C	A80UH1E090C20*	13.5	11.0	35,000	26,300	1200	7/8	3/8	3/4	3/8	7/8	3/8	0.072	A4TXV02
	E(U,C,M)1P50C	A80UH1E110C20*	14.0	11.5	35,200	26,400	1200	7/8	3/8	7/8	3/8	7/8	3/8	0.072	A4TXV02
	E(U,C,M,H)1P36C	A80UH1E110C20*	13.5	11.0	35,000	26,300	1200	7/8	3/8	3/4	3/8	7/8	3/8	0.072	A4TXV02
	E(U,C,M,H)1P36A	A80UH2V070A12	13.5	11.0	35,000	26,300	1200	7/8	3/8	3/4	3/8	7/8	3/8	0.072	A4TXV02
	E(U,C,M,H)1P36B	A80UH2V090B12	13.5	11.0	35,000	26,300	1200	7/8	3/8	3/4	3/8	7/8	3/8	0.072	A4TXV02
	E(U,C,M)1P50C	A80UH2V090C20	14.0	11.5	35,200	26,400	1200	7/8	3/8	7/8	3/8	7/8	3/8	0.072	A4TXV02
	E(U,C,M,H)1P36C	A80UH2V090C20	13.5	11.5	35,000	26,300	1200	7/8	3/8	3/4	3/8	7/8	3/8	0.072	A4TXV02
	E(U,C,M)1P50C	A80UH2V110C20	14.0	11.5	35,200	26,400	1200	7/8	3/8	7/8	3/8	7/8	3/8	0.072	A4TXV02
	E(U,C,M,H)1P36C	A80UH2V110C20	13.5	11.5	35,000	26,300	1200	7/8	3/8	3/4	3/8	7/8	3/8	0.072	A4TXV02
	E(U,C,M,H)1P36B	A95DFIE070B16S	13.5	11.0	35,000	26,300	1200	7/8	3/8	3/4	3/8	7/8	3/8	0.072	A4TXV02
	E(U,C,M)1P50C	A95DFIE090C16S	14.0	11.5	35,200	26,400	1200	7/8	3/8	7/8	3/8	7/8	3/8	0.072	A4TXV02
	E(U,C,M,H)1P36C	A95DFIE090C16S	13.5	11.0	35,000	26,300	1200	7/8	3/8	3/4	3/8	7/8	3/8	0.072	A4TXV02
	E(U,C,M)1P50C	A95DFIE110C20S	14.0	11.5	35,200	26,400	1200	7/8	3/8	7/8	3/8	7/8	3/8	0.072	A4TXV02
	E(U,C,M,H)1P36C	A95DFIE110C20S	13.5	11.0	35,000	26,300	1200	7/8	3/8	3/4	3/8	7/8	3/8	0.072	A4TXV02
	E(U,C,M,H)1P36B	A95DF2V045B12S	13.5	11.0	35,000	26,300	1200	7/8	3/8	3/4	3/8	7/8	3/8	0.072	A4TXV02

Note:

¹ Certified in accordance with Unitary Air Conditioner Certification Program, which is based on AHRI Standard 210/240

² Required to achieve AHRI rating. If NA (Not Applicable) is in the piston column, then TXV is required.

³ A blower time delay relay is required to achieve AHRI rating. This feature is standard on all Allied Air Enterprises furnace and AH products.

COOLING PERFORMANCE WITH AIR HANDLERS AND FURNACES

Outdoor Model	Indoor Model	Variable Speed Furnace	SEER	EER	Rated ARI Capacity ¹ BTUH	Rated Sensible Capacity BTUH	CFM	Refrigerant Connection				Refrigerant Line Size		Indoor Expansion Device	
	Evaporator Coil or Air Handler ³							Outdoor		Indoor		Suction	Liquid	Piston ²	TXV
								Suction	Liquid	Suction	Liquid				
45CU13LC136F	E(U,C,M)1P50C	A95DF2V090C20S	14.0	11.5	35,200	26,400	1200	7/8	3/8	7/8	3/8	7/8	3/8	0.072	A4TXV02
	E(U,C,M,H)1P36C	A95DF2V090C20S	13.5	11.0	35,000	26,300	1200	7/8	3/8	3/4	3/8	7/8	3/8	0.072	A4TXV02
	E(U,C,M)1P50C	A95DF2V110C20S	14.0	11.5	35,200	26,400	1200	7/8	3/8	7/8	3/8	7/8	3/8	0.072	A4TXV02
	E(U,C,M,H)1P36C	A95DF2V110C20S	13.5	11.0	35,000	26,300	1200	7/8	3/8	3/4	3/8	7/8	3/8	0.072	A4TXV02
	E(U,C,M)1P50C	A95UH1E090C16S	14.0	11.5	35,200	26,400	1200	7/8	3/8	7/8	3/8	7/8	3/8	0.072	A4TXV02
	E(U,C,M,H)1P36C	A95UH1E090C16S	13.5	11.0	35,000	26,300	1200	7/8	3/8	3/4	3/8	7/8	3/8	0.072	A4TXV02
	E(U,C,M)1P50C	A95UH1E110C20S	14.0	11.5	35,200	26,400	1200	7/8	3/8	7/8	3/8	7/8	3/8	0.072	A4TXV02
	E(U,C,M,H)1P36C	A95UH1E110C20S	13.5	11.0	35,000	26,300	1200	7/8	3/8	3/4	3/8	7/8	3/8	0.072	A4TXV02
	E(U,C,M,H)1P36B	A95UH2V045B12S	13.5	11.0	35,000	26,300	1200	7/8	3/8	3/4	3/8	7/8	3/8	0.072	A4TXV02
	E(U,C,M,H)1P36B	A95UH2V070B12S	13.5	11.0	35,000	26,300	1200	7/8	3/8	3/4	3/8	7/8	3/8	0.072	A4TXV02
	E(U,C,M)1P50C	A95UH2V090C12S	14.0	11.5	35,200	26,400	1200	7/8	3/8	7/8	3/8	7/8	3/8	0.072	A4TXV02
	E(U,C,M,H)1P36C	A95UH2V090C12S	13.5	11.0	35,000	26,300	1200	7/8	3/8	3/4	3/8	7/8	3/8	0.072	A4TXV02
	E(U,C,M)1P50C	A95UH2V090C16S	14.0	11.5	35,200	26,400	1200	7/8	3/8	7/8	3/8	7/8	3/8	0.072	A4TXV02
	E(U,C,M,H)1P36C	A95UH2V090C16S	13.5	11.0	35,000	26,300	1200	7/8	3/8	3/4	3/8	7/8	3/8	0.072	A4TXV02
	E(U,C,M)1P50C	A95UH2V110C16S	14.0	11.5	35,200	26,400	1200	7/8	3/8	7/8	3/8	7/8	3/8	0.072	A4TXV02
	E(U,C,M,H)1P36C	A95UH2V110C16S	13.5	11.0	35,000	26,300	1200	7/8	3/8	3/4	3/8	7/8	3/8	0.072	A4TXV02
	E(U,C,M)1P50C	A95UH2V110C20S	14.0	11.5	35,200	26,400	1200	7/8	3/8	7/8	3/8	7/8	3/8	0.072	A4TXV02
	E(U,C,M,H)1P36C	A95UH2V110C20S	13.5	11.0	35,000	26,300	1200	7/8	3/8	3/4	3/8	7/8	3/8	0.072	A4TXV02
	E(U,C,M)1P50C	A96DFMV070B12	13.5	11.0	35,000	26,300	1200	7/8	3/8	3/4	3/8	7/8	3/8	0.072	A4TXV02
	E(U,C,M)1P50C	A96DFMV090C16	14.0	11.5	35,200	26,400	1200	7/8	3/8	7/8	3/8	7/8	3/8	0.072	A4TXV02
	E(U,C,M,H)1P36C	A96DFMV090C16	13.5	11.0	35,000	26,300	1200	7/8	3/8	3/4	3/8	7/8	3/8	0.072	A4TXV02
	E(U,C,M)1P50C	A96DFMV090C20	14.0	11.5	35,200	26,400	1200	7/8	3/8	7/8	3/8	7/8	3/8	0.072	A4TXV02
	E(U,C,M,H)1P36C	A96DFMV090C20	13.5	11.0	35,000	26,300	1200	7/8	3/8	3/4	3/8	7/8	3/8	0.072	A4TXV02
	E(U,C,M)1P50C	A96DFMV110C20	14.0	11.5	35,200	26,400	1200	7/8	3/8	7/8	3/8	7/8	3/8	0.072	A4TXV02
	E(U,C,M,H)1P36C	A96DFMV110C20	13.5	11.0	35,000	26,300	1200	7/8	3/8	3/4	3/8	7/8	3/8	0.072	A4TXV02
	E(U,C,M,H)1P36B	A96UHMV070B12	13.5	11.0	35,000	26,300	1200	7/8	3/8	3/4	3/8	7/8	3/8	0.072	A4TXV02
	E(U,C,M)1P50C	A96UHMV090C12	14.0	11.5	35,200	26,400	1200	7/8	3/8	7/8	3/8	7/8	3/8	0.072	A4TXV02

Note:

¹ Certified in accordance with Unitary Air Conditioner Certification Program, which is based on AHRI Standard 210/240

² Required to achieve AHRI rating. If NA (Not Applicable) is in the piston column, then TXV is required.

³ A blower time delay relay is required to achieve AHRI rating. This feature is standard on all Allied Air Enterprises furnace and AH products.

COOLING PERFORMANCE WITH AIR HANDLERS AND FURNACES

Outdoor Model	Indoor Model	Variable Speed Furnace	SEER	EER	Rated ARI Capacity ¹ BTUH	Rated Sensible Capacity BTUH	CFM	Refrigerant Connection				Refrigerant Line Size		Indoor Expansion Device	
	Evaporator Coil or Air Handler ³							Outdoor		Indoor		Suction	Liquid	Piston ²	TXV
								Suction	Liquid	Suction	Liquid				
45CU13LC136F	E(U,C,M,H)1P36C	A96UHMV090C12	13.5	11.0	35,000	26,300	1200	7/8	3/8	3/4	3/8	7/8	3/8	0.072	A4TXV02
	E(U,C,M)1P50C	A96UHMV110C20	14.0	11.5	35,200	26,400	1200	7/8	3/8	7/8	3/8	7/8	3/8	0.072	A4TXV02
	E(U,C,M,H)1P36C	A96UHMV110C20	13.5	11.5	35,000	26,300	1200	7/8	3/8	3/4	3/8	7/8	3/8	0.072	A4TXV02
	E(U,C,M,H)1P36B	EFV12BC	13.5	11.5	35,200	26,400	1200	7/8	3/8	3/4	3/8	7/8	3/8	0.072	A4TXV02
	E(U,C,M)1P50C	EFV16CC	14.0	11.5	35,400	26,600	1200	7/8	3/8	7/8	3/8	7/8	3/8	0.072	A4TXV02
	E(U,C,M)1P50C	LUF****V20	13.5	11.5	35,400	26,600	1200	7/8	3/8	7/8	3/8	7/8	3/8	0.072	A4TXV02
	E(U,C,M,H)1P36C	LUF****V20	13.5	11.5	35,200	26,400	1200	7/8	3/8	3/4	3/8	7/8	3/8	0.072	A4TXV02
	ACBX32CM-136		13.0	10.8	34,000	25,500	1200	7/8	3/8	7/8	3/8	7/8	3/8	NA	NA
	E(U,C,M,H)1P36A	80G2UH070AV12	13.5	11.0	35,000	26,300	1200	7/8	3/8	3/4	3/8	7/8	3/8	0.072	A4TXV02
45CU13LC136T	E(U,C,M)1P50C	80G2UH110CV20	14.0	11.5	35,200	26,400	1200	7/8	3/8	7/8	3/8	7/8	3/8	0.072	A4TXV02
	E(U,C,M,H)1P36C	80G2UH110CV20	13.5	11.5	35,000	26,300	1200	7/8	3/8	3/4	3/8	7/8	3/8	0.072	A4TXV02
	E(U,C,M,H)1P36A	A80DF1E045A12	13.5	11.0	35,000	26,300	1200	7/8	3/8	3/4	3/8	7/8	3/8	0.072	A4TXV02
	E(U,C,M,H)1P36B	A80DF1E090B16	13.5	11.0	35,000	26,300	1200	7/8	3/8	3/4	3/8	7/8	3/8	0.072	A4TXV02
	E(U,C,M)1P50C	A80DF1E110C20	14.0	11.5	35,200	26,400	1200	7/8	3/8	7/8	3/8	7/8	3/8	0.072	A4TXV02
	E(U,C,M,H)1P36C	A80DF1E110C20	13.5	11.0	35,000	26,300	1200	7/8	3/8	3/4	3/8	7/8	3/8	0.072	A4TXV02
	E(U,C,M,H)1P36B	A80DF2V090B16	13.5	11.5	35,000	26,300	1200	7/8	3/8	3/4	3/8	7/8	3/8	0.072	A4TXV02
	E(U,C,M)1P50C	A80DF2V110C20	14.0	11.5	35,200	26,400	1200	7/8	3/8	7/8	3/8	7/8	3/8	0.072	A4TXV02
	E(U,C,M,H)1P36C	A80DF2V110C20	13.5	11.5	35,000	26,300	1200	7/8	3/8	3/4	3/8	7/8	3/8	0.072	A4TXV02
	E(U,C,M,H)1P36A	A80UH1E045A12*	13.5	11.0	35,000	26,300	1200	7/8	3/8	3/4	3/8	7/8	3/8	0.072	A4TXV02
	E(U,C,M,H)1P36B	A80UH1E070B12*	13.5	11.0	35,000	26,300	1200	7/8	3/8	3/4	3/8	7/8	3/8	0.072	A4TXV02
	E(U,C,M,H)1P36B	A80UH1E090B16*	13.5	11.0	35,000	26,300	1200	7/8	3/8	3/4	3/8	7/8	3/8	0.072	A4TXV02
	E(U,C,M)1P50C	A80UH1E090C20*	14.0	11.5	35,200	26,400	1200	7/8	3/8	7/8	3/8	7/8	3/8	0.072	A4TXV02
	E(U,C,M,H)1P36C	A80UH1E090C20*	13.5	11.0	35,000	26,300	1200	7/8	3/8	3/4	3/8	7/8	3/8	0.072	A4TXV02
	E(U,C,M)1P50C	A80UH1E110C20*	14.0	11.5	35,200	26,400	1200	7/8	3/8	7/8	3/8	7/8	3/8	0.072	A4TXV02
	E(U,C,M,H)1P36C	A80UH1E110C20*	13.5	11.0	35,000	26,300	1200	7/8	3/8	3/4	3/8	7/8	3/8	0.072	A4TXV02
	E(U,C,M,H)1P36A	A80UH2V070A12	13.5	11.0	35,000	26,300	1200	7/8	3/8	3/4	3/8	7/8	3/8	0.072	A4TXV02
	E(U,C,M,H)1P36B	A80UH2V090B12	13.5	11.0	35,000	26,300	1200	7/8	3/8	3/4	3/8	7/8	3/8	0.072	A4TXV02
	E(U,C,M)1P50C	A80UH2V090C20	14.0	11.5	35,200	26,400	1200	7/8	3/8	7/8	3/8	7/8	3/8	0.072	A4TXV02
	E(U,C,M,H)1P36C	A80UH2V090C20	13.5	11.5	35,000	26,300	1200	7/8	3/8	3/4	3/8	7/8	3/8	0.072	A4TXV02

Note:

¹ Certified in accordance with Unitary Air Conditioner Certification Program, which is based on AHRI Standard 210/240

² Required to achieve AHRI rating. If NA (Not Applicable) is in the piston column, then TXV is required.

³ A blower time delay relay is required to achieve AHRI rating. This feature is standard on all Allied Air Enterprises furnace and AH products.

COOLING PERFORMANCE WITH AIR HANDLERS AND FURNACES

Outdoor Model	Indoor Model	Variable Speed Furnace	SEER	EER	Rated ARI Capacity ¹ BTUH	Rated Sensible Capacity BTUH	CFM	Refrigerant Connection				Refrigerant Line Size		Indoor Expansion Device	
	Evaporator Coil or Air Handler ³							Outdoor		Indoor		Suction	Liquid	Piston ²	TXV
								Suction	Liquid	Suction	Liquid				
45CU13LC136T	E(U,C,M)1P50C	A80UH2V110C20	14.0	11.5	35,200	26,400	1200	7/8	3/8	7/8	3/8	7/8	3/8	0.072	A4TXV02
	E(U,C,M,H)1P36C	A80UH2V110C20	13.5	11.5	35,000	26,300	1200	7/8	3/8	3/4	3/8	7/8	3/8	0.072	A4TXV02
	E(U,C,M,H)1P36B	A95DF1E070B16S	13.5	11.0	35,000	26,300	1200	7/8	3/8	3/4	3/8	7/8	3/8	0.072	A4TXV02
	E(U,C,M)1P50C	A95DF1E090C16S	14.0	11.5	35,200	26,400	1200	7/8	3/8	7/8	3/8	7/8	3/8	0.072	A4TXV02
	E(U,C,M,H)1P36C	A95DF1E090C16S	13.5	11.0	35,000	26,300	1200	7/8	3/8	3/4	3/8	7/8	3/8	0.072	A4TXV02
	E(U,C,M)1P50C	A95DF1E110C20S	14.0	11.5	35,200	26,400	1200	7/8	3/8	7/8	3/8	7/8	3/8	0.072	A4TXV02
	E(U,C,M,H)1P36C	A95DF1E110C20S	13.5	11.0	35,000	26,300	1200	7/8	3/8	3/4	3/8	7/8	3/8	0.072	A4TXV02
	E(U,C,M,H)1P36B	A95DF2V045B12S	13.5	11.0	35,000	26,300	1200	7/8	3/8	3/4	3/8	7/8	3/8	0.072	A4TXV02
	E(U,C,M)1P50C	A95DF2V090C20S	14.0	11.5	35,200	26,400	1200	7/8	3/8	7/8	3/8	7/8	3/8	0.072	A4TXV02
	E(U,C,M,H)1P36C	A95DF2V090C20S	13.5	11.0	35,000	26,300	1200	7/8	3/8	3/4	3/8	7/8	3/8	0.072	A4TXV02
	E(U,C,M)1P50C	A95DF2V110C20S	14.0	11.5	35,200	26,400	1200	7/8	3/8	7/8	3/8	7/8	3/8	0.072	A4TXV02
	E(U,C,M,H)1P36C	A95DF2V110C20S	13.5	11.0	35,000	26,300	1200	7/8	3/8	3/4	3/8	7/8	3/8	0.072	A4TXV02
	E(U,C,M)1P50C	A95UH1E090C16S	14.0	11.5	35,200	26,400	1200	7/8	3/8	7/8	3/8	7/8	3/8	0.072	A4TXV02
	E(U,C,M,H)1P36C	A95UH1E090C16S	13.5	11.0	35,000	26,300	1200	7/8	3/8	3/4	3/8	7/8	3/8	0.072	A4TXV02
	E(U,C,M)1P50C	A95UH1E110C20S	14.0	11.5	35,200	26,400	1200	7/8	3/8	7/8	3/8	7/8	3/8	0.072	A4TXV02
	E(U,C,M,H)1P36C	A95UH1E110C20S	13.5	11.0	35,000	26,300	1200	7/8	3/8	3/4	3/8	7/8	3/8	0.072	A4TXV02
	E(U,C,M,H)1P36B	A95UH2V045B12S	13.5	11.0	35,000	26,300	1200	7/8	3/8	3/4	3/8	7/8	3/8	0.072	A4TXV02
	E(U,C,M)1P50C	A95UH2V090C12S	14.0	11.5	35,200	26,400	1200	7/8	3/8	7/8	3/8	7/8	3/8	0.072	A4TXV02
	E(U,C,M,H)1P36C	A95UH2V090C12S	13.5	11.0	35,000	26,300	1200	7/8	3/8	3/4	3/8	7/8	3/8	0.072	A4TXV02
	E(U,C,M)1P50C	A95UH2V090C16S	14.0	11.5	35,200	26,400	1200	7/8	3/8	7/8	3/8	7/8	3/8	0.072	A4TXV02
E(U,C,M,H)1P36C	A95UH2V090C16S	13.5	11.0	35,000	26,300	1200	7/8	3/8	3/4	3/8	7/8	3/8	0.072	A4TXV02	
E(U,C,M)1P50C	A95UH2V090C20S	14.0	11.5	35,200	26,400	1200	7/8	3/8	7/8	3/8	7/8	3/8	0.072	A4TXV02	
E(U,C,M,H)1P36C	A95UH2V090C20S	13.5	11.0	35,000	26,300	1200	7/8	3/8	3/4	3/8	7/8	3/8	0.072	A4TXV02	
E(U,C,M)1P50C	A95UH2V110C16S	14.0	11.5	35,200	26,400	1200	7/8	3/8	7/8	3/8	7/8	3/8	0.072	A4TXV02	
E(U,C,M,H)1P36C	A95UH2V110C16S	13.5	11.0	35,000	26,300	1200	7/8	3/8	3/4	3/8	7/8	3/8	0.072	A4TXV02	
E(U,C,M)1P50C	A95UH2V110C20S	14.0	11.5	35,200	26,400	1200	7/8	3/8	7/8	3/8	7/8	3/8	0.072	A4TXV02	
E(U,C,M,H)1P36C	A95UH2V110C20S	13.5	11.0	35,000	26,300	1200	7/8	3/8	3/4	3/8	7/8	3/8	0.072	A4TXV02	
E(U,C,M,H)1P36B	A96DFMV070B12	13.5	11.0	35,000	26,300	1200	7/8	3/8	3/4	3/8	7/8	3/8	0.072	A4TXV02	

Note:

¹ Certified in accordance with Unitary Air Conditioner Certification Program, which is based on AHRI Standard 210/240

² Required to achieve AHRI rating. If NA (Not Applicable) is in the piston column, then TXV is required.

³ A blower time delay relay is required to achieve AHRI rating. This feature is standard on all Allied Air Enterprises furnace and AH products.

COOLING PERFORMANCE WITH AIR HANDLERS AND FURNACES

Outdoor Model	Indoor Model	Variable Speed Furnace	SEER	EER	Rated ARI Capacity ¹ BTUH	Rated Sensible Capacity BTUH	CFM	Refrigerant Connection				Refrigerant Line Size		Indoor Expansion Device		
	Evaporator Coil or Air Handler ³							Outdoor		Indoor		Suction	Liquid	Piston ²	TXV	
								Suction	Liquid	Suction	Liquid					
4SCU13LC136T	E(U,C,M)1P50C	A96DFMV090C16	14.0	11.5	35,200	26,400	1200	7/8	3/8	7/8	3/8	7/8	3/8	0.072	A4TXV02	
	E(U,C,M,H)1P36C	A96DFMV090C16	13.5	11.0	35,000	26,300	1200	7/8	3/8	3/4	3/8	7/8	3/8	0.072	A4TXV02	
	E(U,C,M)1P50C	A96DFMV090C20	14.0	11.5	35,200	26,400	1200	7/8	3/8	7/8	3/8	7/8	3/8	0.072	A4TXV02	
	E(U,C,M,H)1P36C	A96DFMV090C20	13.5	11.0	35,000	26,300	1200	7/8	3/8	3/4	3/8	7/8	3/8	0.072	A4TXV02	
	E(U,C,M)1P50C	A96DFMV110C20	14.0	11.5	35,200	26,400	1200	7/8	3/8	7/8	3/8	7/8	3/8	0.072	A4TXV02	
	E(U,C,M,H)1P36C	A96DFMV110C20	13.5	11.0	35,000	26,300	1200	7/8	3/8	3/4	3/8	7/8	3/8	0.072	A4TXV02	
	E(U,C,M,H)1P36B	A96UHMV070B12	13.5	11.0	35,000	26,300	1200	7/8	3/8	3/4	3/8	7/8	3/8	0.072	A4TXV02	
	E(U,C,M)1P50C	A96UHMV090C12	14.0	11.5	35,200	26,400	1200	7/8	3/8	7/8	3/8	7/8	3/8	0.072	A4TXV02	
	E(U,C,M,H)1P36C	A96UHMV090C12	13.5	11.0	35,000	26,300	1200	7/8	3/8	3/4	3/8	7/8	3/8	0.072	A4TXV02	
	E(U,C,M)1P50C	A96UHMV110C20	14.0	11.5	35,200	26,400	1200	7/8	3/8	7/8	3/8	7/8	3/8	0.072	A4TXV02	
	E(U,C,M,H)1P36C	A96UHMV110C20	13.5	11.5	35,000	26,300	1200	7/8	3/8	3/4	3/8	7/8	3/8	0.072	A4TXV02	
	E(U,C,M,H)1P36B	EFV12BC	13.5	11.5	35,200	26,400	1200	7/8	3/8	3/4	3/8	7/8	3/8	0.072	A4TXV02	
	E(U,C,M)1P50C	EFV16CC	14.0	11.5	35,400	26,600	1200	7/8	3/8	7/8	3/8	7/8	3/8	0.072	A4TXV02	
	E(U,C,M)1P50C	LUF****V20	13.5	11.5	35,400	26,600	1200	7/8	3/8	7/8	3/8	7/8	3/8	0.072	A4TXV02	
	E(U,C,M,H)1P36C	LUF****V20	13.5	11.5	35,200	26,400	1200	7/8	3/8	3/4	3/8	7/8	3/8	0.072	A4TXV02	
	ACBX32CM-136		13.0	10.8	34,000	25,500	1200	7/8	3/8	7/8	3/8	7/8	3/8	NA	NA	
	4SCU13LC148F	E(U,C,M)1P50C	80G2UH110CV20	13.5	11.0	47,000	34,800	1600	7/8	3/8	7/8	3/8	7/8	3/8	0.081	A4TXV02
		E(U,C,M)1P50C	A80DFIE110C20	13.5	11.0	47,000	34,800	1600	7/8	3/8	7/8	3/8	7/8	3/8	0.081	A4TXV02
E(U,C,M)1P50C		A80DF2V110C20	13.5	11.0	47,000	34,800	1600	7/8	3/8	7/8	3/8	7/8	3/8	0.081	A4TXV02	
E(U,C)IP62D		A80UHIE135D20*	13.5	11.0	47,000	34,800	1600	7/8	3/8	7/8	3/8	7/8	3/8	0.081	A4TXV02	
E(U,C,M)1P50C		A80UH2V090C20	13.5	11.0	47,000	34,800	1600	7/8	3/8	7/8	3/8	7/8	3/8	0.081	A4TXV02	
E(U,C,M)1P50C		A80UH2V110C20	13.5	11.0	47,000	34,800	1600	7/8	3/8	7/8	3/8	7/8	3/8	0.081	A4TXV02	
E(U,C)IP62D		A80UH2V135D20	13.5	11.0	47,000	34,800	1600	7/8	3/8	7/8	3/8	7/8	3/8	0.081	A4TXV02	
E(U,C,M)1P50C		A95DFIE110C20S	13.5	11.0	47,000	34,800	1600	7/8	3/8	7/8	3/8	7/8	3/8	0.081	A4TXV02	
E(U,C,M)1P50C		A95UHIE110C20S	13.5	11.0	47,000	34,800	1600	7/8	3/8	7/8	3/8	7/8	3/8	0.081	A4TXV02	
E(U,C)IP62D		A95UHIE135D20S	13.5	11.0	47,000	34,800	1600	7/8	3/8	7/8	3/8	7/8	3/8	0.081	A4TXV02	
E(U,C)IP62D		A95UH2V135D20S	13.5	11.0	47,000	34,800	1600	7/8	3/8	7/8	3/8	7/8	3/8	0.081	A4TXV02	
E(U,C,M)1P50C		A96UHMV110C20	13.5	11.0	47,000	34,800	1600	7/8	3/8	7/8	3/8	7/8	3/8	0.081	A4TXV02	
E(U,C)IP62D		A96UHMV135D20	13.5	11.0	47,000	34,800	1600	7/8	3/8	7/8	3/8	7/8	3/8	0.081	A4TXV02	
E(U,C)IP62D		EFV20DC	14.0	11.5	47,000	34,800	1600	7/8	3/8	7/8	3/8	7/8	3/8	0.081	A4TXV02	
ACBX32CM-148			13.0	11.0	47,000	34,800	1600	7/8	3/8	7/8	3/8	7/8	3/8	NA	NA	

Note:

¹ Certified in accordance with Unitary Air Conditioner Certification Program, which is based on AHRI Standard 210/240

² Required to achieve AHRI rating. If NA (Not Applicable) is in the piston column, then TXV is required.

³ A blower time delay relay is required to achieve AHRI rating. This feature is standard on all Allied Air Enterprises furnace and AH products.

COOLING PERFORMANCE WITH AIR HANDLERS AND FURNACES

Outdoor Model	Indoor Model	Variable Speed Furnace	SEER	EER	Rated ARI Capacity ¹ BTUH	Rated Sensible Capacity BTUH	CFM	Refrigerant Connection				Refrigerant Line Size		Indoor Expansion Device		
	Evaporator Coil or Air Handler ³							Outdoor		Indoor		Suction	Liquid	Piston ²	TXV	
								Suction	Liquid	Suction	Liquid					
4SCU13LC148T	E(U,C,M)1P50C	80G2UH110CV20	13.5	11.0	47,000	34,800	1600	7/8	3/8	7/8	3/8	7/8	3/8	0.081	A4TXV02	
	E(U,C,M)1P50C	A80DFIE110C20	13.5	11.0	47,000	34,800	1600	7/8	3/8	7/8	3/8	7/8	3/8	0.081	A4TXV02	
	E(U,C,M)1P50C	A80DF2V110C20	13.5	11.0	47,000	34,800	1600	7/8	3/8	7/8	3/8	7/8	3/8	0.081	A4TXV02	
	E(U,C)IP62D	A80UHIE135D20*	13.5	11.0	47,000	34,800	1600	7/8	3/8	7/8	3/8	7/8	3/8	0.081	A4TXV02	
	E(U,C,M)1P50C	A80UH2V090C20	13.5	11.0	47,000	34,800	1600	7/8	3/8	7/8	3/8	7/8	3/8	0.081	A4TXV02	
	E(U,C,M)1P50C	A80UH2V110C20	13.5	11.0	47,000	34,800	1600	7/8	3/8	7/8	3/8	7/8	3/8	0.081	A4TXV02	
	E(U,C)IP62D	A80UH2V135D20	13.5	11.0	47,000	34,800	1600	7/8	3/8	7/8	3/8	7/8	3/8	0.081	A4TXV02	
	E(U,C,M)1P50C	A95DFIE110C20S	13.5	11.0	47,000	34,800	1600	7/8	3/8	7/8	3/8	7/8	3/8	0.081	A4TXV02	
	E(U,C)IP62D	A95UHIE135D20S	13.5	11.0	47,000	34,800	1600	7/8	3/8	7/8	3/8	7/8	3/8	0.081	A4TXV02	
	E(U,C)IP62D	A95UH2V135D20S	13.5	11.0	47,000	34,800	1600	7/8	3/8	7/8	3/8	7/8	3/8	0.081	A4TXV02	
	E(U,C,M)1P50C	A96UHMV110C20	13.5	11.0	47,000	34,800	1600	7/8	3/8	7/8	3/8	7/8	3/8	0.081	A4TXV02	
	E(U,C)IP62D	A96UHMV135D20	13.5	11.0	47,000	34,800	1600	7/8	3/8	7/8	3/8	7/8	3/8	0.081	A4TXV02	
	E(U,C)IP62D	EFV20DC	14.0	11.5	47,000	34,800	1600	7/8	3/8	7/8	3/8	7/8	3/8	0.081	A4TXV02	
	ACBX32CM-148		13.0	11.0	47,000	34,800	1600	7/8	3/8	7/8	3/8	7/8	3/8	NA	NA	
	4SCU13LC160F	ACBX32CM-160		13.0	11.0	58,000	41,200	1800	7/8	3/8	7/8	3/8	1 1/8	3/8	NA	NA
		ACBX32CM-160		13.0	11.0	58,000	41,200	1800	7/8	3/8	7/8	3/8	1 1/8	3/8	NA	NA

Note:

¹ Certified in accordance with Unitary Air Conditioner Certification Program, which is based on AHRI Standard 210/240

² Required to achieve AHRI rating. If NA (Not Applicable) is in the piston column, then TXV is required.

³ A blower time delay relay is required to achieve AHRI rating. This feature is standard on all Allied Air Enterprises furnace and AH products.

COOLING PERFORMANCE EXTENDED RATINGS

Outdoor Model	Indoor Model	Indoor Temp DB/WB °F	Outdoor Temp - DB°F														
			65			82			95			105			115		
			Btuh	S/T	kW	Btuh	S/T	kW	Btuh	S/T	kW	Btuh	S/T	kW	Btuh	S/T	kW
4SCU13LC136	E(U,C,M,H)1P36A,B,C	85/72	39,500	.67	1.17	37,200	.69	1.36	35,800	.70	1.56	34,400	.72	1.73	32,500	.75	1.97
		80/67	38,500	.70	1.14	36,600	.72	1.33	34,800	.73	1.53	33,400	.75	1.70	31,500	.78	1.94
		75/63	37,500	.73	1.11	35,600	.75	1.30	33,800	.76	1.50	32,400	.78	1.67	30,500	.81	1.91
4SCU13LC148	E(U,C,M)1P50C	85/72	54,800	.66	1.21	51,500	.69	1.40	49,000	.70	1.56	47,500	.71	1.67	45,300	.73	1.85
		80/67	52,800	.69	1.18	49,500	.72	1.37	47,000	.73	1.53	45,500	.74	1.64	43,300	.76	1.82
		75/63	50,800	.72	1.15	47,500	.75	1.34	45,000	.76	1.50	43,500	.77	1.61	41,300	.79	1.79
4SCU13LC160	E(U,C,H)1P49C	85/72	62,000	.66	1.17	61,000	.67	1.37	60,000	.70	1.56	58,500	.71	1.73	57,000	.74	1.92
		80/67	60,000	.69	1.14	59,000	.70	1.34	58,000	.73	1.53	56,500	.74	1.70	55,000	.77	1.89
		75/63	58,000	.72	1.11	57,000	.73	1.31	56,000	.76	1.50	54,500	.77	1.67	53,000	.80	1.86

NOTE: M coils are in both painted and embossed metal cabinets - check the coil specification for specifics.
 NOTE: H coils are available in embossed metal only.

ACCESSORIES

KIT NUMBER	DESCRIPTION	USED WITH
40K58	Blower Off Delay Kit	All 4SCU13LC's
69J03	Compressor Sound Covers	All 4SCU13LC's
45F08	Compressor Low Ambient Cut off	All 4SCU13LC's
93G35	Freezestats (3/8" tubing)	All 4SCU13LC's
50A93	Freezestats (5/8" tubing)	All 4SCU13LC's
47J27	Time off Control (A/C only)	All 4SCU13LC's
23W26	Low Pressure Switch for loss of charge protection	All 4SCU13LC's
34M72	Low Ambient	All 4SCU13LC's
A4TXV02	TXV Kit	4SCU13LC36, 48, & 60
H4TXV03	TXV Kit	4SCU13LC60



1-800-448-5872

All specifications and illustrations subject to change without notice and without incurring obligations.