

FEATURES

- Up to 9.7 EER cooling efficiency
- Completely self-contained heating and cooling package
 - No outside condensing unit
 - No external refrigerant lines
 - No separate cooling coil
- Pre-wired and pre-charged
- Individually metered and controlled
- Slide-out cooling chassis

REFRIGERANT SYSTEM

- High efficiency compressor
- Copper tubing with enhanced fin coils

CABINET

- Attractive, neutral-toned finish

BLOWER

- Multispeed motor for wide airflow range
- PSC permanently lubricated motor for low maintenance and maximum efficiency
- Dynamically balanced blower with resilient motor mounts for smooth and quiet operation
- Internal washable filter

CONTROLS

- Color coded wiring for easy service

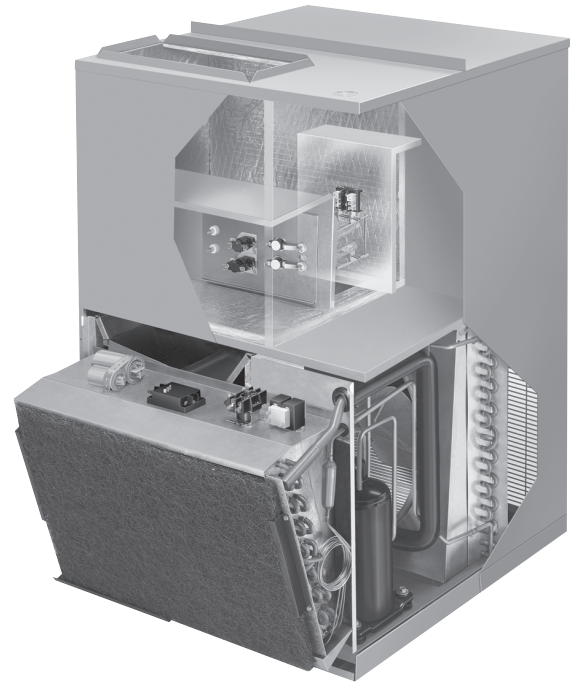
INSTALLATION

- Easy to install and service

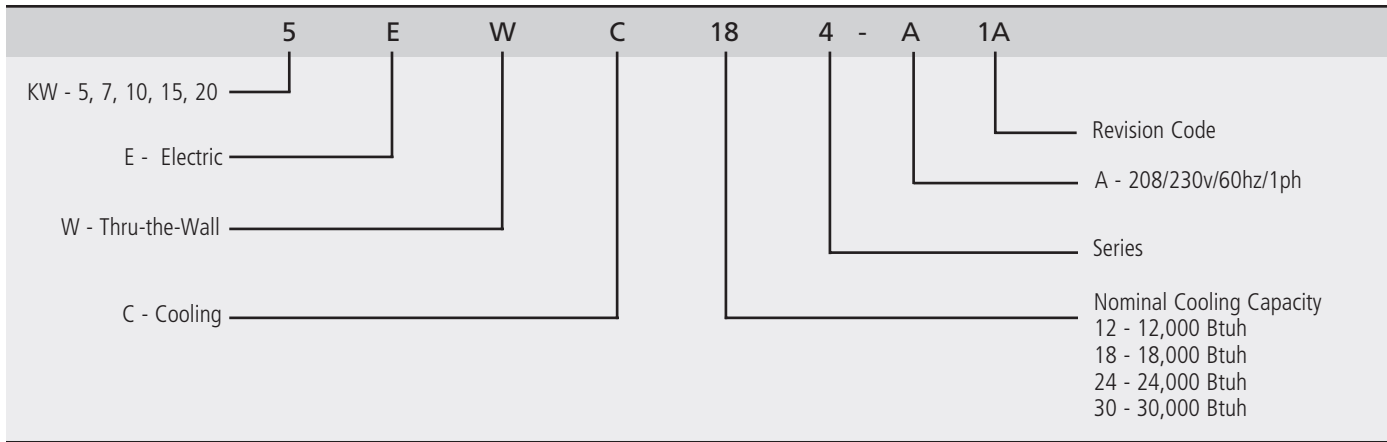
WARRANTY

- 5 year limited warranty on all parts
- 10 year warranty on electric heating elements

EWC



Model Number Guide



Electrical and Physical Data

Model	Voltage/ Hz/ Phase	Voltage Range	Min. Circuit Ampacity				Max. Fuse/ HACR Brkr.		Compressor		Outside Fan			Indoor Blower		R22 Refrig. Charge (oz.)	Weight (lbs)
			Ckt.1		Ckt.2		208V	230V	Rated Load Amps	Locked Rotor Amps	Nom. RPM	Rated Load Amps	Rated HP	Wheel dia. x wid. (in.)	Rated HP		
			208V	230V	208V	230V											
5EWC124	208-230/60/1	197 - 253	24	27	-	-	25	30	4.7	27.0	1075	.90	1/8	10 x 4	1/6	39	325
10EWC124			45	52	-	-	50	60									
5EWC184	208-230/60/1	197 - 253	26	28	-	-	30	30	9.0	41.0	1075	.90	1/8	10 x 4	1/3	48	350
7EWC184			36	41	-	-	40	50									
10EWC184			47	53	-	-	50	60									
15EWC184			26	28	44	50	50	60									
5EWC244	208-230/60/1	197 - 253	26	28	-	-	-	30	10.9	54.0	1075	1.60	1/4	10 x 4	1/3	50	360
7EWC244			36	41	-	-	-	50									
10EWC244			47	53	-	-	-	60									
15EWC244			26	28	44	50	50	60									
20EWC244			47	53	44	50	50	60									
10EWC304	208-230/60/1	197 - 253	47	53	-	-	50	60	14.1	73.0	1075	1.80	1/4	10 x 4	1/3	64	380
15EWC304			26	28	44	50	50	60									
20EWC304			47	53	44	50	50	60									

Blower Performance

Model	Blower Speed	CFM @ ext. static pressure - in. w.c. with filter			
		0.2	0.3	0.4	0.5
EWC124	Hi	650	615	575	540
	Med	475	450	425	400
	Low	415	405	390	380
EWC184,244,304	Hi	875	825	775	725
	Med	850	805	760	710
	Low	630	605	575	550

Performance

Model	Cooling				Heating			
	Btuh	EER	S/T	CFM	@240V		@208V	
					kW/Hr	Btu/Hr	kW/Hr	Btu/Hr
5EWC124	11,200	9.7	.72	400	4.8	16,300	3.6	12,300
10EWC124					9.6	32,700	7.2	24,600
5EWC184	17,000	9.3	.72	600	4.8	16,300	3.6	12,300
7EWC184					7.2	24,600	5.4	18,400
10EWC184					9.6	32,700	7.2	24,600
15EWC184					14.4	49,100	10.8	36,900
5EWC244	23,200	9.2	.74	800	4.8	16,300	3.6	12,300
7EWC244					7.2	24,600	5.4	18,400
10EWC244					9.6	32,700	7.2	24,600
51EWC244					14.4	49,100	10.8	36,900
20EWC244					19.2	65,500	14.4	49,200
10EWC304	28,000	9.0	.68	875	9.6	32,700	7.2	24,600
15EWC304					14.4	49,100	10.8	36,900
20EWC304					19.2	65,500	14.4	49,200

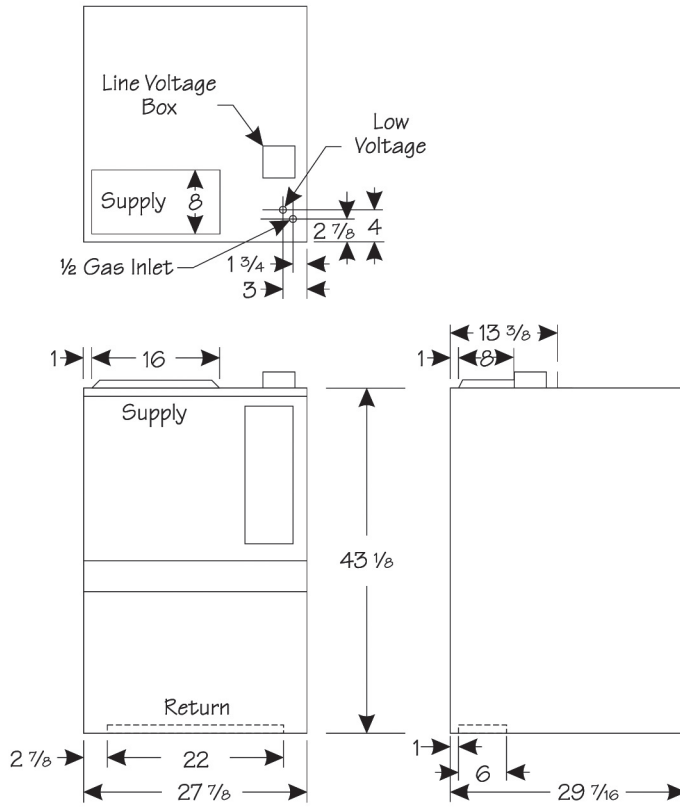
Sound Ratings

Model	Sound Rating (dBA)
5EWC124	76
10EWC124	76
5EWC184	76
7EWC184	76
10EWC184	76
15EWC184	76
5EWC244	80
7EWC244	80
10EWC244	80
15EWC244	80
20EWC244	80
10EWC304	80
15EWC304	80
20EWC304	80

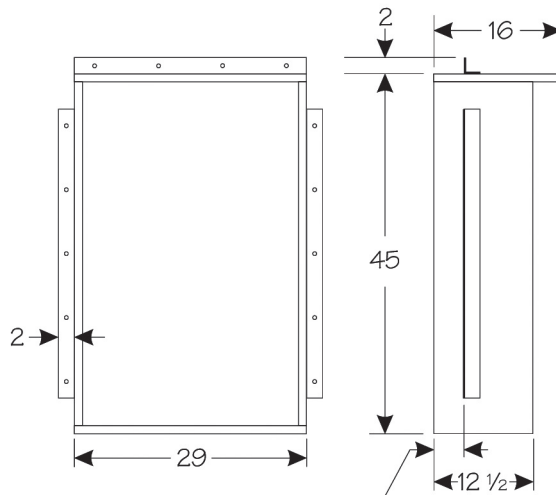
Accessories

Description	Kit Number	Where Used
Wall Sleeve	CA-239	All EWC's
Decorative External Louver	ALVR42-1	All EWC's
Chassis Adapter Kit	ADAPT420	All EWC's
Wall Sleeve Adapter Kit	A242	All EWC's

Dimensions (in.)



Wall Sleeve (in.)



Flange may be assembled
1" or 3 3/4" from front of sleeve



215 Metropolitan Drive
West Columbia, SC 29170
800-448-5872

Product Support 866-282-7257

All specifications and illustrations
subject to change without notice
and without incurring obligations.