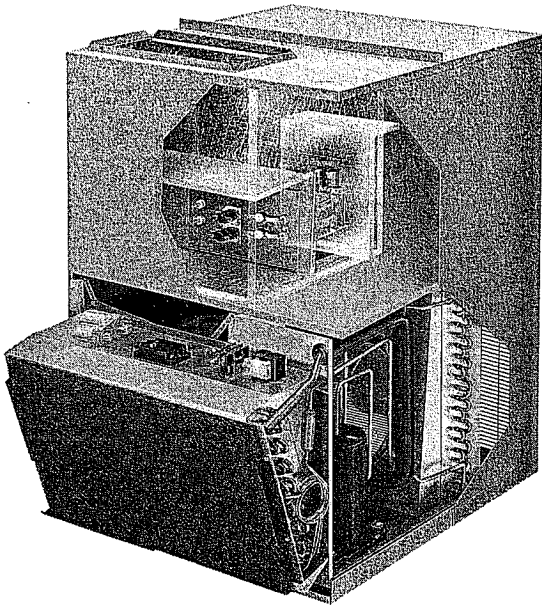




EWC



EWC - Electric Heat/Cool

Thru-the-Wall

BENEFITS

- Completely self-contained heating and cooling package.
 - No outside condensing unit.
 - No external refrigerant lines.
 - No separate cooling coil.
- Pre-wired and pre-charged.
- Individually metered and controlled.
- Slide-out cooling chassis.

REFRIGERANT SYSTEM

- High efficiency compressor with 5 year limited warranty.
- Copper tubing with enhanced fin coils.

CABINET

- Attractive, neutral-toned, powder paint finish.

BLOWER

- Multispeed motor for wide airflow range.
- PSC permanently lubricated motor for low maintenance and maximum efficiency.
- Dynamically balanced blower with resilient motor mounts for smooth and quiet operation.
- Internal 1" filter.

CONTROLS

- Trade available components.
- Color coded wiring for easy service.

INSTALLATION

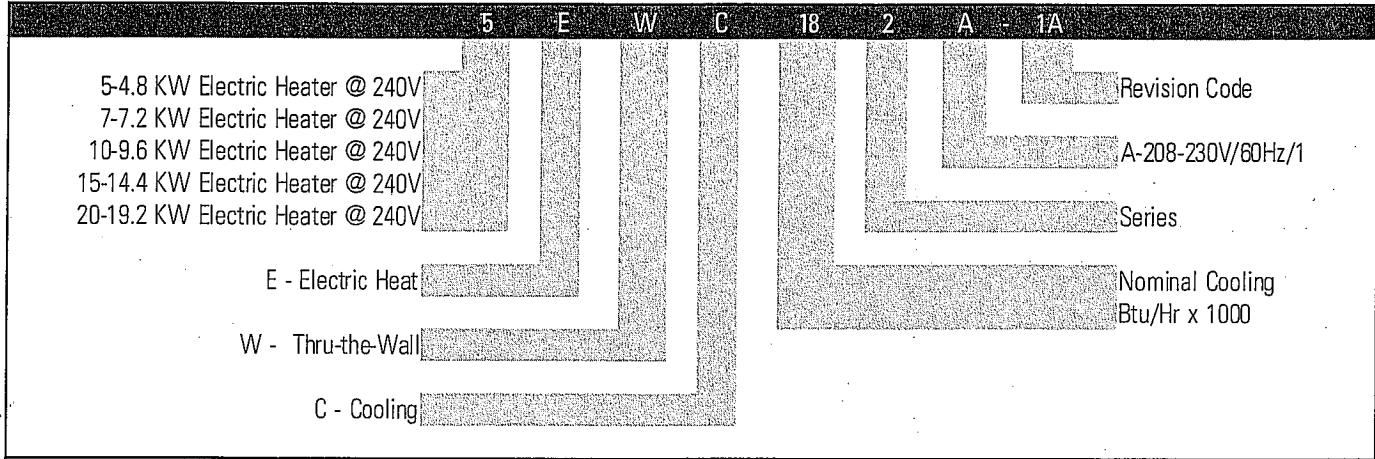
- Easy to install and service.
- Mounts flush with outside wall.

WARRANTY

- 5 year compressor
- 5 year parts
- 10 year electric heating elements



Model Number Guide



Physical & Electrical

| Model | Voltage/ Hz/Phase | Voltage Range | Min. Circuit Ampacity | | | | Max. Fuse/ HACR Brkr. | Compressor | | Outside Fan | | Indoor Blower | | Refrig. Charge (oz.) | Weight (lbs) | | |
|----------|----------------------|------------------|--------------------------|------|--------|------|--------------------------------|-------------------------|---------------------------|-------------|-------------------------|---------------|---------------------------------|----------------------------|-----------------|-------------|------|
| | | | Ckt. 1 | | Ckt. 2 | | | Rated Load (amps) | Locked Rotor (amps) | Nom. RPM | Rated Load (amps) | Rated HP | Wheel dia x wid. (in.) | | | Rated HP | |
| | | | 208V | 230V | 208V | 230V | | | | | | | | | | | 208V |
| 5EWC122 | 208-230/60/1 | 197-253 | 24 | 27 | NA | NA | 25 | 30 | 5.0 | 26.3 | 1075 | .90 | 1/8 | 10 x 4 | 1/6 | 42 | 325 |
| 10EWC122 | | | 45 | 52 | NA | NA | 50 | 60 | | | | | | | | | |
| 5EWC182 | 208-230/60/1 | 197-253 | 26 | 28 | NA | NA | 30 | 30 | 8.3 | 48.3 | 1075 | .90 | 1/8 | 10 x 4 | 1/3 | 49 | 350 |
| 7EWC182 | | | 36 | 41 | NA | NA | 40 | 50 | | | | | | | | | |
| 10EWC182 | | | 47 | 53 | NA | NA | 50 | 60 | | | | | | | | | |
| 15EWC182 | | | 26 | 28 | 44 | 50 | 50 | 60 | | | | | | | | | |
| 5EWC242 | 208-230/60/1 | 197-253 | 26 | 28 | NA | NA | 30 | 30 | 11.9 | 59.0 | 1075 | 1.80 | 1/4 | 10 x 4 | 1/3 | 58 | 360 |
| 7EWC242 | | | 36 | 41 | NA | NA | 40 | 50 | | | | | | | | | |
| 10EWC242 | | | 47 | 53 | NA | NA | 50 | 60 | | | | | | | | | |
| 15EWC242 | | | 26 | 28 | 44 | 50 | 50 | 60 | | | | | | | | | |
| 20EWC242 | | | 47 | 53 | 44 | 50 | 50 | 60 | | | | | | | | | |
| 10EWC302 | 208-230/60/1 | 197-253 | 47 | 53 | NA | NA | 50 | 60 | 14.1 | 73.0 | 1075 | 1.80 | 1/4 | 10 x 4 | 1/3 | 64 | 380 |
| 15EWC302 | | | 26 | 28 | 44 | 55 | 50 | 60 | | | | | | | | | |
| 20EWC302 | | | 91 | 53 | 44 | 55 | 50 | 60 | | | | | | | | | |

Blower Performance

| Model | Blower Speed | CFM @ ext. static pressure - in. w.c. with filter(s) | | | |
|----------------|--------------|--|-----|-----|-----|
| | | 0.2 | 0.3 | 0.4 | 0.5 |
| EWC122 | Hi | 650 | 615 | 575 | 540 |
| | Med | 475 | 450 | 425 | 400 |
| | Low | 415 | 405 | 390 | 380 |
| EWC182,242,302 | Hi | 875 | 825 | 775 | 725 |
| | Med | 850 | 805 | 760 | 710 |
| | Low | 630 | 605 | 575 | 550 |

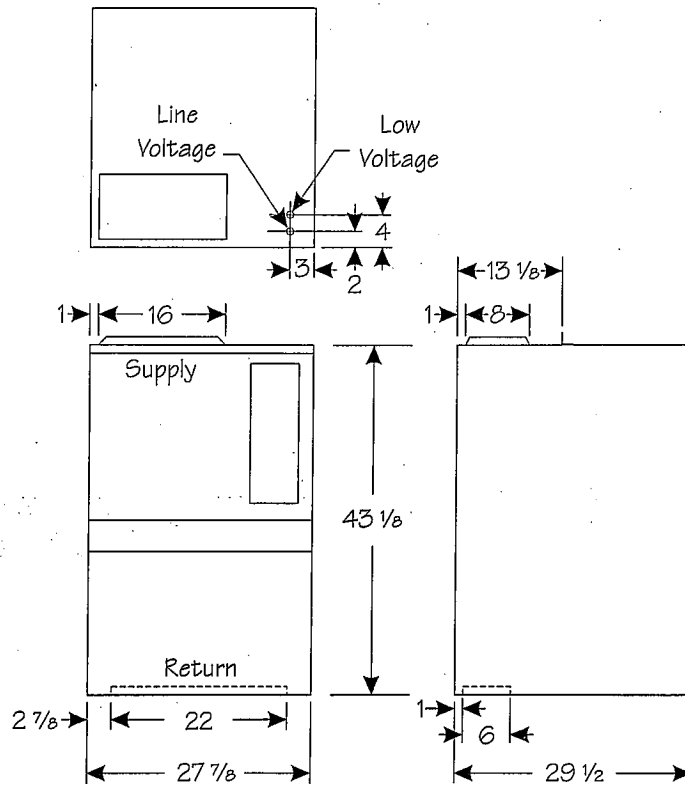
Performance

| Model | Cooling | | | | | Heating | | | |
|----------|---------|------|------|-----|-----|---------|--------|--------|--------|
| | Btuh | SEER | EER | S/T | CFM | @240 V | | @208 V | |
| | | | | | | kW/Hr | Btu/Hr | kW/Hr | Btu/Hr |
| 5EWC122 | 12,000 | 9.70 | 9.00 | .78 | 400 | 4.8 | 16,300 | 3.6 | 12,300 |
| 10EWC122 | | | | | | 9.6 | 32,700 | 7.2 | 24,600 |
| 5EWC182 | 17,800 | 9.70 | 8.80 | .74 | 600 | 4.8 | 16,300 | 3.6 | 12,300 |
| 7EWC182 | | | | | | 7.2 | 24,600 | 5.4 | 18,400 |
| 10EWC182 | | | | | | 9.6 | 32,700 | 7.2 | 24,600 |
| 15EWC182 | | | | | | 14.4 | 49,100 | 10.8 | 36,900 |
| 5EWC242 | 23,600 | 9.70 | 8.70 | .75 | 800 | 4.8 | 16,300 | 3.6 | 12,300 |
| 7EWC242 | | | | | | 7.2 | 24,600 | 5.4 | 18,400 |
| 10EWC242 | | | | | | 9.6 | 32,700 | 7.2 | 24,600 |
| 15EWC242 | | | | | | 14.4 | 49,100 | 10.8 | 36,900 |
| 20EWC242 | | | | | | 19.2 | 65,500 | 14.4 | 49,200 |
| 10EWC302 | 28,000 | 9.70 | 9.00 | .68 | 875 | 9.6 | 32,700 | 7.2 | 24,600 |
| 15EWC302 | | | | | | 14.4 | 49,100 | 10.8 | 36,900 |
| 20EWC302 | | | | | | 19.2 | 65,500 | 14.4 | 49,200 |

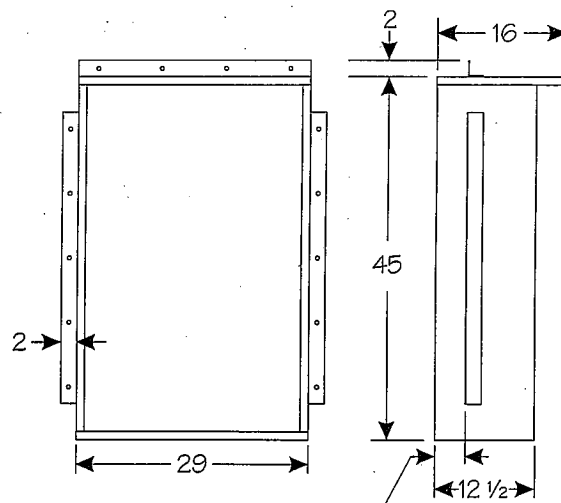
Accessories

| Kit Number | Description | Used with |
|------------|----------------------------|-----------|
| CA-239 | Wall Sleeve | All EWC's |
| ALVR42-1 | Decorative External Louver | All EWC's |
| ADAPT420 | Chassis Adapter Kit | All EWC's |
| A242 | Wall Sleeve Adapter Kit | All EWC's |

Dimensions



Wall Sleeve



Flange may be assembled.
1" or 3 3/4" from front of sleeve

All specifications are subject to change without notice.



421 Monroe Street • Bellevue, OH 44811
(419) 483-4840
www.aac-inc.com

