

UNIT HEATERS

LF25 MODELS



ENDURING PERFORMANCE

ALLIED COMMERCIAL™ UNIT HEATERS ARE BUILT TO LAST, SEASON AFTER SEASON

Designed and built for durability and peak performance, Allied Commercial unit heaters incorporate advanced technology and proven materials into reliable, time-tested equipment.

COMPACT UNIT HEATERS AT A GLANCE:

Ideal for hard-to-heat applications requiring fresh air for combustion due to excessive dust, dirt and humidity or negative pressure

Easy access to components through a hinged door

Heat capacity ranging from 30,000–105,000 Btuh

STANDARD UNIT HEATERS AT A GLANCE:

Meet a wide range of residential and commercial heating applications

Stainless steel heat exchanger available

Heat capacity ranging from 30,000–400,000 Btuh

EFFICIENCY RATING

Up to 85% thermal efficiency

WARRANTY

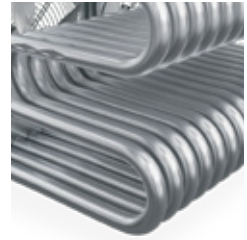
15-YEAR LIMITED WARRANTY on stainless steel heat exchanger

10-YEAR LIMITED WARRANTY on aluminized heat exchanger

1-YEAR LIMITED WARRANTY on covered components

See warranty certificate for actual details.

The tubular heat exchanger, that is standard on all Allied Commercial unit heaters, is designed to stand the test of time, delivering efficient and reliable heat. The curved design of the exchanger completely exposes the heating surface to the air stream, resulting in excellent heat transfer. The aluminum heat exchanger is also available in stainless steel on select models.

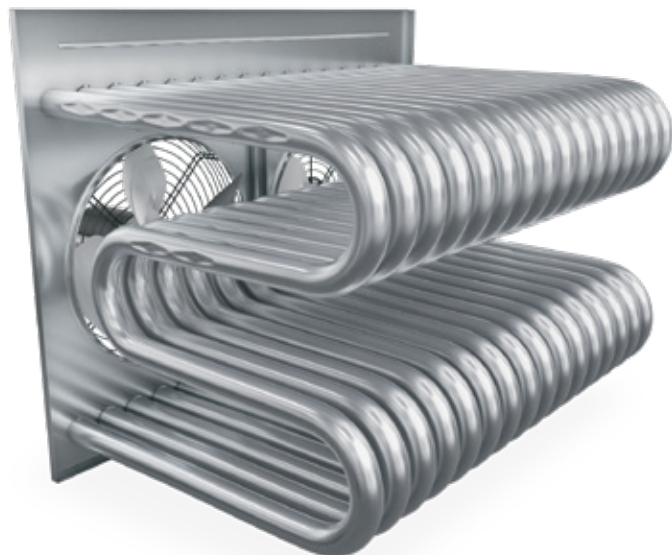


All unit heater models offer standard features such as the ignitor, flame sensor, high limit switch, and 100% error proof wiring harness. Other advanced features include the easily cleaned, easy-to-reach, in-shot burner assembly and permanently lubricated blower motor for minimal maintenance. By using a self-diagnostic board, Allied Commercial unit heaters offer advanced safety and troubleshooting capabilities as well.

INSTALLATION IS QUICK AND SIMPLE

For application flexibility, units may be vented horizontally or vertically. Tight spaces aren't an issue thanks to the low cabinet profile of the compact and standard models. For faster installation, units are fully wired and tested at the factory, including complete start-up and shutdown cycles, as well as gas and electrical operation verification. Some models feature 180 degree installation position capability and cage-nuts for all-thread installation. Centrally located connections for gas and a removable terminal block for both line voltage and thermostats further simplify installation.

Allied Commercial units are stocked near you, allowing for quick delivery and installation.



TWO DIFFERENT DESIGNS. ONE STANDARD OF PERFORMANCE.

For convenience and installation ease, Allied Commercial unit heaters come in two different configurations: standard and compact. But the flexibility doesn't stop there. Multiple heating capacities are available for convenient and efficient heating of small and large spaces. Natural gas and propane are both available as fuel sources. Several wall venting options are available, including horizontal and vertical. In short, Allied Commercial has the heater you need, how you need it.



COMPACT COMBUSTION HEATERS

- Ideal for hard-to-heat applications where excessive dust, dirt or humidity or negative pressure is a concern
- Durable tubular heat exchanger
- Heating capacities from 30,000–105,000 Btuh
- Up to 85% thermal efficiency
- Compact cabinet design
- Hinged door allows easy access to components
- Sidewall venting eliminates roof penetrations
- Self-diagnostic board with LED display improves troubleshooting efficiency and accuracy

STANDARD UNIT HEATERS

- Ideal for a wide range of residential and commercial applications
- Heating capacities from 30,000–400,000 Btuh
- Up to 85% thermal efficiency
- Optional stainless steel heat exchanger (for 125,000–400,000 Btuh) is available for longer product life
- Sidewall venting eliminates roof penetrations
- Self-diagnostic board with LED display improves troubleshooting efficiency and accuracy



LF25 COMPACT UNIT HEATER PERFORMANCE SPECIFICATIONS

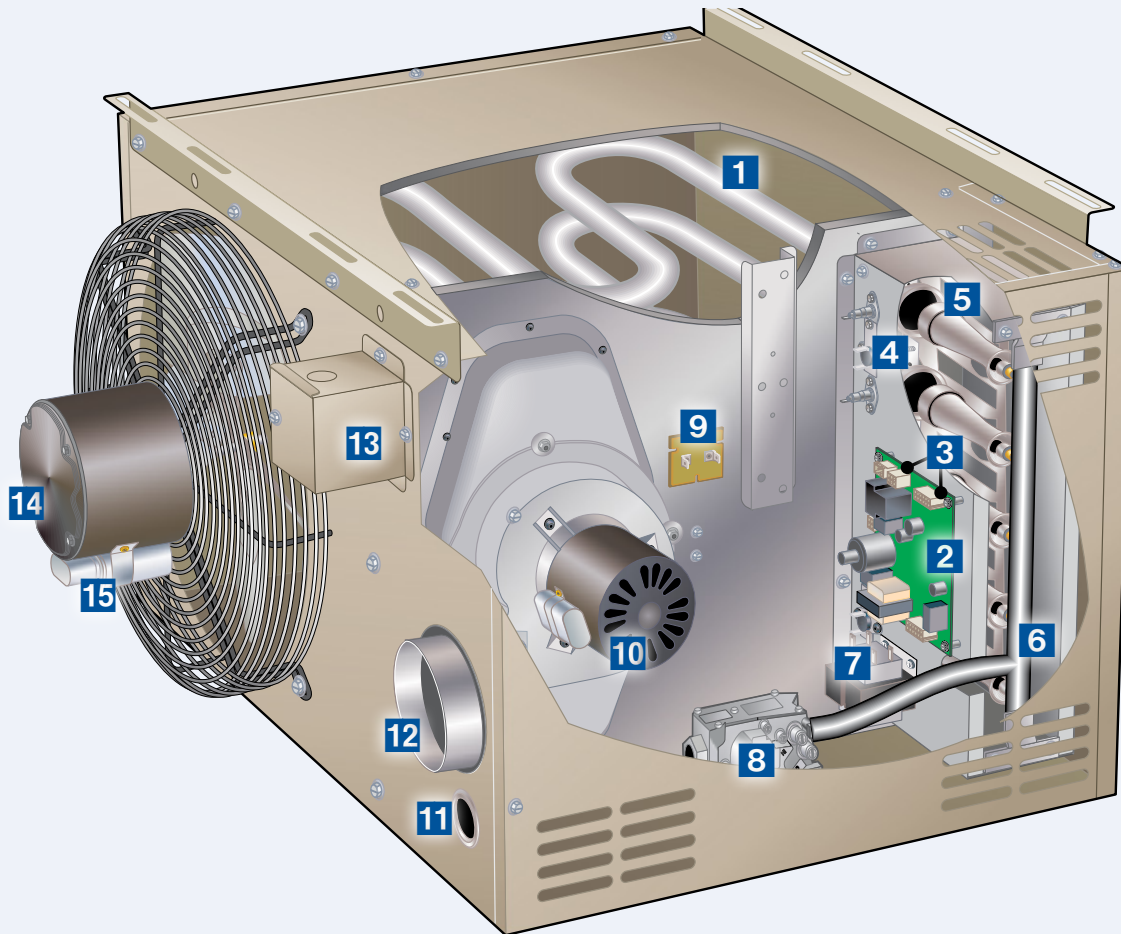
MODEL*	GAS HEATING PERFORMANCE					CONNECTIONS			FAN DATA							PHYSICAL DATA						
	INPUT HEATING CAPACITY BTU/h [kW]	OUTPUT HEATING CAPACITY BTU/h [kW]	LP/ PROPANE OUTPUT HEATING CAPACITY BTU/h [kW]	STEADY STATE EFFICIENCY		TEMP. RISE °F [°C]	VERT. FLUE SIZE INCHES [MM]	HORZ. FLUE SIZE INCHES [MM]	GAS PIPING SIZE INCHES	NO. OF FANS	FAN DIAMETER	NO. OF BLADES	FAN PITCH	MOTOR OUTPUT HP [W]	FULL LOAD MOTOR AMPS	RPM	CFM [M3/ MIN.]	THROW FEET [M]	DIMENSIONS L X W X H INCHES [MM]	UNIT WEIGHT LBS. [KG]	SHIP WEIGHT LBS. [KG]	MOUNTING HEIGHT RANGES FEET [M]
				NATURAL	PROPANE																	
LF25-030	30,000	24,900	25,500	83%	85%	37	4	4	1/2	1	10"	4	37°	1/25	0.45	1550	625	27	27.5 x 29 x 12.375	55	60	5-12
	8.8	7.3	7.5			2.8	102	102									17.7	9.3	698.5 x 736.6 x 314.3	24.9	27.2	1.5-3.0
LF25-045	45,000	37,350	38,250	83%	85%	52	4	4	1/2	1	10"	4	37°	1/25	0.45	1550	665	29	27.5 x 29 x 12.375	60	65	5-12
	13.2	11.0	11.2			11.1	102	102									18.8	10.0	698.5 x 736.6 x 314.3	27.2	29.5	1.5-3.0
LF25-060	60,000	49,800	51,000	83%	85%	47	4	5	1/2	1	14"	4	34°	1/15	0.9	1075	1000	34	27.25 x 29 x 17.5	85	90	5-14
	17.6	14.6	15.0			8.3	102	127									28.3	11.8	692.2 x 736.6 x 445	38.6	40.8	1.5-4.3
LF25-075	75,000	62,250	63,750	83%	85%	65	4	5	1/2	1	14"	4	34°	1/15	0.9	1075	1200	41	27.25 x 29 x 17.5	90	95	5-14
	22.0	18.3	18.7			18.3	102	127									34.0	14.2	692.2 x 736.6 x 445	40.8	43.0	1.5-4.3
LF25-090	90,000	74,700	75,600	83%	84%	43	4	5	1/2	1	16"	4	28°	1/10	1.5	1075	1600	46	28.875 x 29 x 23	115	120	5-16
	26.4	21.9	22.2			6.1	102	127									45.3	16.1	733.4 x 736.6 x 584	52.2	54.4	1.5-4.9
LF25-105	105,000	87,150	88,200	83%	84%	59	4	5	1/2	1	16"	4	28°	1/10	1.5	1075	1500	43	28.875 x 29 x 23	120	125	5-16
	30.8	25.6	25.9			15.0	102	127									42.5	15.1	733.4 x 736.6 x 584	54.4	56.7	1.5-4.9

LF25 STANDARD UNIT HEATER PERFORMANCE SPECIFICATIONS

MODEL*	GAS HEATING PERFORMANCE					CONNECTIONS			FAN DATA							PHYSICAL DATA						
	INPUT HEATING CAPACITY BTU/h [kW]	OUTPUT HEATING CAPACITY BTU/h [kW]	LP/PROPANE OUTPUT HEATING CAPACITY BTU/h [kW]	STEADY STATE EFFICIENCY		TEMP. RISE °F [°C]	VERT. FLUE SIZE INCHES [MM]	HORZ. FLUE SIZE INCHES [MM]	GAS PIPING SIZE INCHES	NO. OF FANS	FAN DIAMETER	NO. OF BLADES	FAN PITCH	MOTOR OUTPUT HP [W]	FULL LOAD MOTOR AMPS	RPM	CFM [M3/ MIN.]	THROW FEET [M]	DIMENSIONS L X W X H INCHES [MM]	UNIT WEIGHT LBS. [KG]	SHIP WEIGHT LBS. [KG]	MOUNTING HEIGHT RANGES FEET [M]
				NATURAL	PROPANE																	
LF25-125	125,000	103,750	105,000	83%	84%	50	4	4	1/2	1	16"	4	36°	1/5	3.0	1100	1950	49	42.5 x 24 x 35.25	147	167	8-16
	36.6	30.4	30.7			10	102	102									55.2	17.1	1079.5 x 609.6 x 895.4	66.7	75.8	2.4-4.9
LF25-150	150,000	124,500	126,000	83%	84%	62	4	4	1/2	1	16"	4	36°	1/5	3.0	1100	1950	49	42.5 x 24 x 35.25	157	177	8-16
	44.0	36.5	37.0			16.7	102	102									55.2	17.1	1079.5 x 609.6 x 895.4	71.2	80.3	2.4-4.9
LF25-175	175,000	145,250	147,000	83%	84%	58	5	5	1/2	1	18"	4	36°	1/3	3.9	1100	2350	52	42.5 x 29.5 x 35.25	170	190	8-22
	51.3	42.6	43.1			14.4	127	127									66.5	18.0	1079.5 x 749.3 x 895.4	77.1	86.2	2.4-6.7
LF25-200	200,000	166,000	168,000	83%	84%	59	5	5	1/2	1	18"	4	36°	1/3	3.9	1100	2650	59	42.5 x 29.5 x 35.25	180	200	8-22
	58.6	48.6	49.2			15.0	127	127									75.0	20.4	1079.5 x 749.3 x 895.4	81.6	90.7	2.4-6.7
LF25-250	250,000	207,500	210,000	83%	84%	58	5	5	3/4	2	16"	4	36°	1/5	3.0	1075	3400	60	42.5 x 41.125 x 35.25	290	310	12-28
	73.3	60.8	61.6			14.4	127	127									96.3	21.0	1079.5 x 1044.6 x 895.4	131.5	140.6	3.7-8.5
LF25-300	300,000	249,000	252,000	83%	84%	57	5	5	3/4	2	16"	4	36°	1/5	3.0	1075	4000	71	42.5 x 41.125 x 35.25	310	330	12-28
	87.9	73.0	73.8			13.9	127	127									113.3	24.8	1079.5 x 1044.6 x 895.4	140.6	149.7	3.7-8.5
LF25-350	350,000	290,500	294,000	83%	84%	63	6	6	3/4	2	18"	4	36°	1/3	3.9	1100	4300	70	42.5 x 51.5 x 35.25	340	360	12-28
	102.6	85.2	86.2			17.2	152	152									121.8	21.3	1079.5 x 1308.1 x 895.4	154.2	163.3	3.7-8.5
LF25-400	400,000	332,000	336,000	83%	84%	65	6	6	3/4	2	18"	4	36°	1/3	3.9	1100	4750	78	42.5 x 51.5 x 35.25	360	380	12-28
	117.2	97.3	98.4			18.3	152	152									134.5	23.8	1079.5 x 1308.1 x 895.4	163.3	172.4	3.7-8.5

UNIT HEATERS

IMPROVED PERFORMANCE, INSTALLATION, AND SERVICEABILITY



- 1 TUBULAR HEAT EXCHANGER**—Proven design for efficiency and durability.
- 2 INTEGRATED CONTROL BOARD WITH DIRECT SPARK IGNITION**—Speeds up installation and aids in trouble shooting while improving unit operation and efficiency.
- 3 REMOVABLE THERMOSTAT AND POWER CONNECTIONS**—Eases the installation process.
- 4 FLAME ROLLOUT SENSOR AND SWITCH**—Improve safety.
- 5 IN-SHOT BURNERS**—Are low maintenance and easy to clean.
- 6 GAS MANIFOLD**
- 7 24V TRANSFORMER**
- 8 24V COMBINATION GAS CONTROL VALVE WITH 100% SAFETY SHUT OFF**—Increases control and protects units.
- 9 LIMIT CONTROL**—Provides protection from overheat conditions.
- 10 COMBUSTION AIR INDUCER**—Removes carbon.
- 11 GAS INLET**
- 12 FLUE OUTLET**
- 13 FIELD POWER CONNECTOR**—Helps expedite install.
- 14 PERMANENTLY LUBRICATED FAN MOTOR**—Offers minimal maintenance and solid performance.
- 15 CAPACITOR**



Visit us at www.allied-commercial.com or contact us at 1-800-448-5872.
© 2013 Allied Air Enterprises LLC., a Lennox International Inc. Company



Litho U.S.A.

ACLF-300 09/19 PC73454