

## FEATURES

- Over 50 years of unit expertise and design
- Self-contained Heating and Cooling Packaged Unit
  - No need for outdoor units, line sets, or separate venting
  - Pre-wired and pre-charged

## REFRIGERANT SYSTEM

- High-efficiency compressor standard on all models
- HWC\*\*\*-7-11-30P includes a two-stage high-efficiency compressor
- Copper tubing with enhanced aluminum fin coils
- Slide-out Cooling chassis for ease of service
- Anti-microbial evaporative drain pan
- Freeze Shield™ condensate trap on all HWC9 models†

## HEAT EXCHANGER

- AFUE ratings up to 95%
- Stainless steel primary heat exchanger on all models
- Stainless steel secondary heat exchanger and transition box on HWC9 models
- Direct vent/sealed combustion

## BLOWER

- Multi-speed blower motor for diverse airflow range
- Resilient motor mounts for smooth and quiet operation
- Internal washable filter is standard

## CONTROLS

- Conventional 24V thermostat
  - One Stage Cool/Heat required up to 2 tons
  - Two Stage Cool/One Stage Heat for 2.5-ton model
- Color-coded wiring for ease of installation and service
- Diagnostic LED
- Easily accessible control box
- Optional field installed refrigerant detection system

## WARRANTY

- Five (5) Year Limited Parts Warranty
- Twenty (20) Year Limited Stainless-Steel Heat Exchanger Warranty

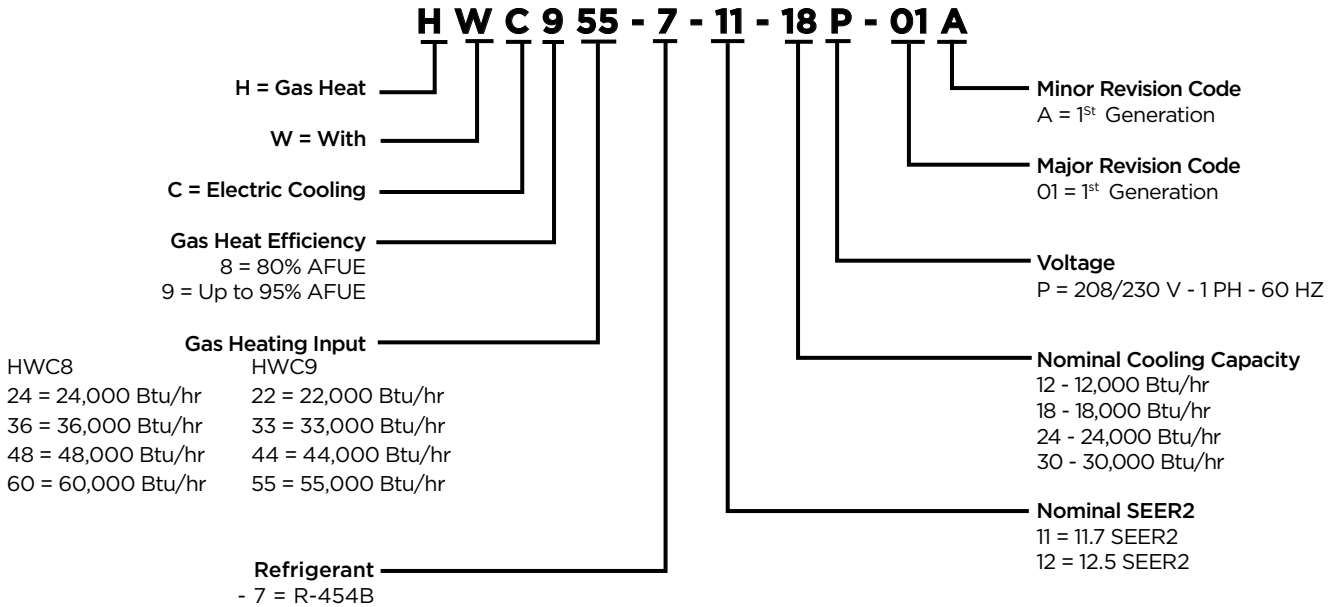
## HWC MODEL UNITS GAS HEATING / ELECTRIC COOLING PACKAGED UNITS



† Patent Pending

NOTE: HWC8 not for sale in Canada

**MODEL NUMBER GUIDE**



**ELECTRICAL AND PHYSICAL DATA**

Model	Voltage/Hz/ Phase	Voltage Range	Min. Circuit Amps	Max. Fuse/ HACR Brkr.	Compressor		Outside Fan				Indoor Blower			R454B Charge	Approx. Weight (lbs.)									
					Rated Load Amps	Locked Rotor Amps	Dia	Nominal RPM	Full Load Amps	HP	Wheel Dia. x Width	Full Load Amps	HP											
HWC824-7-11-12P-01A	208-230/60/1	197-253	9.6	15	6.3	27.0	18.0	1075	0.8	1/8	10 x 4.375	1.0	1/2	36	284									
HWC836-7-11-12P-01A			9.6	15																				
HWC824-7-12-12P-01A			9.3	15	5.6	27.0								1100	1.3	1/3	1.0	1.8	53	311				
HWC836-7-12-12P-01A			9.3	15																				
HWC836-7-11-18P-01A			12.0	15	7.2	37.5								1075	1.2	1/4	1.8	57	339					
HWC848-7-11-18P-01A			12.0	15																				
HWC860-7-11-18P-01A			12.0	15	6.9	37.5								1100	1.8	1/3	1.7	50	333					
HWC836-7-12-18P-01A			12.2	15																				
HWC848-7-12-18P-01A			12.2	15	12.0	61.6								1100	1.8	1/3	2.8	50	339					
HWC860-7-12-18P-01A			12.2	15																				
HWC836-7-11-24P-01A			19.6	30	12.0	61.6								1100	1.8	1/3	2.8	50	339					
HWC848-7-11-24P-01A			19.6	30																				
HWC860-7-11-24P-01A			19.6	30	14.5	78.1								1200	2.2	3.6	3.6	50	339					
HWC848-7-11-30P-01A			24.0	35																				
HWC860-7-11-30P-01A			24.0	35																				
HWC922-7-11-12P-01A			208-230/60/1	197-253	9.6	15								6.3	27.0	18.0	1075	0.8	1/8	10 x 4.375	1.0	1/2	36	284
HWC933-7-11-12P-01A					9.6	15																		
HWC922-7-12-12P-01A					9.3	15								5.6	27.0								1100	1.3
HWC933-7-12-12P-01A	9.3	15																						
HWC933-7-11-18P-01A	12.0	15			7.2	37.5	1075	1.2	1/4	1.8	57	339												
HWC944-7-11-18P-01A	12.0	15																						
HWC955-7-11-18P-01A	12.0	15			6.9	37.5	1100	1.8	1/3	1.7	50	333												
HWC933-7-12-18P-01A	12.2	15																						
HWC944-7-12-18P-01A	12.2	15			12.0	61.6	1100	1.8	1/3	2.8	50	339												
HWC955-7-12-18P-01A	12.2	15																						
HWC933-7-11-24P-01A	19.6	30			12.0	61.6	1100	1.8	1/3	2.8	50	339												
HWC944-7-11-24P-01A	19.6	30																						
HWC955-7-11-24P-01A	19.6	30			14.5	78.1	1200	2.2	3.6	3.6	50	339												
HWC944-7-11-30P-01A	24.0	35																						
HWC955-7-11-30P-01A	24.0	35																						

**PERFORMANCE**

Model	Cooling			Heating			
	Btuh	SEER2	S/T	Input Btuh	Output Btuh	AFUE	Temp. Rise Range °F
HWC824-7-11-12P-01A	12,000	11.7	0.75	24,000	19,000	80	25-55
HWC836-7-11-12P-01A				36,000	28,500		35-65
HWC824-7-12-12P-01A		12.5	0.75	24,000	19,000		25-55
HWC836-7-11-12P-01A				36,000	28,500		35-65
HWC836-7-11-18P-01A	17,000	11.7	0.78	36,000	28,500		25-55
HWC848-7-11-18P-01A				48,000	38,000		35-65
HWC860-7-11-18P-01A				60,000	47,500		45-75
HWC836-7-12-18P-01A	16,800	12.4	0.77	36,000	28,500		25-55
HWC848-7-12-18P-01A				48,000	38,000		35-65
HWC860-7-12-18P-01A				60,000	47,500		45-75
HWC836-7-11-24P-01A	22,200	11.7	0.73	36,000	28,500		25-55
HWC848-7-11-24P-01A				48,000	38,000		35-65
HWC860-7-11-24P-01A				60,000	47,500	45-75	
HWC848-7-11-30P-01A	26,800	11.7	0.73	48,000	38,000	30-60	
HWC860-7-11-30P-01A				60,000	47,500	45-75	
HWC922-7-11-12P-01A	12,000	11.7	0.75	22,000	20,500	95	25-55
HWC933-7-11-12P-01A				33,000	31,000		35-65
HWC922-7-12-12P-01A		12.5		22,000	20,500		25-55
HWC933-7-12-12P-01A				33,000	31,000		35-65
HWC933-7-11-18P-01A	17,000	11.7	0.78	33,000	31,000	95	30-60
HWC944-7-11-18P-01A				44,000	41,000	95	35-65
HWC955-7-11-18P-01A				55,000	51,500	93	45-75
HWC933-7-12-18P-01A	16,800	12.4	0.77	33,000	31,000	95	30-60
HWC944-7-12-18P-01A				44,000	41,000	95	35-65
HWC955-7-12-18P-01A				55,000	51,500	93	45-75
HWC933-7-11-24P-01A	22,200	11.7	0.73	33,000	31,000	95	30-60
HWC944-7-11-24P-01A				44,000	41,000	95	35-65
HWC955-7-11-24P-01A				55,000	51,500	93	45-75
HWC944-7-11-30P-01A	26,800	11.7	0.73	44,000	41,000	95	35-65
HWC955-7-11-30P-01A				55,000	51,500	93	45-75

NOTE: For most up to date ratings and values, please view AHRI listing

**FACTORY FILTER SIZE (IN.) AND PRESSURE DROP (IN. W.C.)**

Model	Filter Size	Supply Airflow (CFM)							
		300	400	500	600	700	800	900	1000
All HWC	16.5 x 25	0.01	0.01	0.02	0.03	0.03	0.04	0.05	0.06

Performance based on factory-provided washable filter installed in the unit. If a higher resistance filter is installed in the unit, the added resistance must be included in the external static pressure and must not exceed 0.4 in. w.c. including ductwork.

**ACCESSORIES**

Description	Kit #	Where Used
LP KIT (0 - 4,500 FT)	ALPKT842	HWC8 Only
High Altitude Kit (NAT 4,500 - 8,000 ft.)	AHAKT01	
Decorative External Louver Clear Anodized Aluminum	ALVR42	
Decorative External Louver Painted Aluminum	ALVR42P	
LP KIT (0 - 4,500 FT)	ALPKT843	HWC9 Only
High Altitude Kit (NAT 4,500 - 8,000 ft.)	AHAKT02	
Decorative External Louver Clear Anodized Aluminum	ALVR43	
Decorative External Louver Painted Aluminum	ALVR43P	
Wall Sleeve	CA239	All HWCs
Refrigerant Detection System (RDS) MagicPak V-Series Kit	ARDSKTV	All HWCs

**HWC9 COMBUSTION INDUCER ORIFICE**

Model	Orifice Color
HWC9N22	Blue
HWC9N33	Black
HWC9N44	Gray
HWC9N55	Brown

**FURNACE CONDENSATE PER HOUR OF CONTINUOUS HEATING OPERATION\***

Model	Gal./Hr.
HWC9N22	0.15
HWC9N33	0.20
HWC9N44	0.25
HWC9N55	0.30

\* Approximate at 65°F and 80% RH

### COOLING PERFORMANCE EXTENDED RATINGS

Model	Indoor Temp DB/ WB °F	Outdoor Temperature - DB °F (0.3" w.c. External Static Pressure)														
		65			85			95			105			115		
		Btuh	S/T	kW	Btuh	S/T	kW	Btuh	S/T	kW	Btuh	S/T	kW	Btuh	S/T	kW
HWC8**-7-11-12P	85/72	15,300	0.61	0.95	14,600	0.63	1.09	13,100	0.69	1.24	12,400	0.71	1.36	11,000	0.76	1.48
	80/67	14,300	0.68	0.95	13,700	0.72	1.09	12,000	0.75	1.23	11,400	0.80	1.35	10,200	0.85	1.47
	75/63	13,500	0.72	0.95	12,300	0.76	1.07	11,300	0.81	1.22	10,000	0.85	1.32	9,500	0.93	1.45
	75/57	12,400	1.00	0.94	11,600	1.00	1.12	11,100	1.00	1.21	9,400	1.00	1.30	9,000	1.00	1.43
HWC8**-7-12-12P	85/72	15,300	0.61	0.95	14,600	0.63	1.09	13,100	0.69	1.24	12,400	0.71	1.36	11,000	0.76	1.48
	80/67	14,300	0.68	0.95	13,700	0.72	1.09	12,000	0.75	1.23	11,400	0.80	1.35	10,200	0.85	1.47
	75/63	13,500	0.72	0.95	12,300	0.76	1.07	11,300	0.81	1.22	10,000	0.85	1.32	9,500	0.93	1.45
	75/57	12,400	1.00	0.94	11,600	1.00	1.12	11,100	1.00	1.21	9,400	1.00	1.30	9,000	1.00	1.43
HWC8**-7-11-18P	85/72	21,000	0.59	1.28	19,700	0.60	1.52	18,400	0.62	1.68	16,800	0.64	1.80	15,400	0.72	2.10
	80/67	19,300	0.72	1.24	18,500	0.75	1.46	17,000	0.78	1.65	15,400	0.81	1.79	13,800	0.85	1.99
	75/63	18,500	0.76	1.21	17,300	0.79	1.51	15,500	0.81	1.67	14,100	0.85	1.79	12,300	0.89	1.95
	75/57	16,800	1.00	1.20	15,500	1.00	1.50	14,100	1.00	1.67	12,900	1.00	1.78	11,200	1.00	1.94
HWC8**-7-12-18P	85/72	21,000	0.64	1.20	20,000	0.65	1.45	18,900	0.67	1.59	17,200	0.71	1.71	15,200	0.74	1.86
	80/67	19,200	0.72	1.16	18,400	0.74	1.38	16,800	0.77	1.55	15,400	0.80	1.68	13,800	0.85	1.84
	75/63	18,200	0.76	1.14	17,100	0.70	1.44	15,200	0.79	1.58	13,500	0.83	1.66	11,500	0.90	1.82
	75/57	16,700	1.00	1.12	15,900	1.00	1.43	13,800	1.00	1.56	12,600	1.00	1.65	11,000	1.00	1.81
HWC8**-7-11-24P	85/72	29,500	0.63	1.74	27,400	0.63	2.03	25,000	0.64	2.35	22,800	0.66	2.57	20,500	0.70	2.87
	80/67	27,300	0.68	1.69	24,600	0.70	2.02	22,200	0.73	2.32	20,300	0.77	2.55	18,700	0.80	2.86
	75/63	25,500	0.71	1.66	22,800	0.73	2.00	20,600	0.75	2.26	18,800	0.80	2.53	16,900	0.81	2.84
	75/57	22,000	1.00	1.65	20,300	1.00	1.97	19,200	1.00	2.25	17,800	1.00	2.53	16,100	1.00	2.80
HWC8**-7-11-30P	85/72	35,900	0.62	2.41	30,900	0.66	2.75	30,000	0.66	3.11	27,000	0.60	3.34	24,700	0.73	3.56
	80/67	32,500	0.69	2.37	29,900	0.70	2.73	26,800	0.73	3.05	24,300	0.77	3.27	22,500	0.79	3.67
	75/63	29,900	0.71	2.34	28,500	0.86	2.72	24,600	0.77	3.02	22,100	0.80	3.25	19,700	0.85	3.45
	75/57	26,400	1.00	2.33	27,300	1.00	2.71	22,900	1.00	2.99	20,800	1.00	3.23	18,700	1.00	3.43
HWC9**-7-11-12P	85/72	15,300	0.61	0.95	14,600	0.63	1.09	13,100	0.69	1.24	12,400	0.71	1.36	11,000	0.76	1.48
	80/67	14,300	0.68	0.95	13,700	0.72	1.09	12,000	0.75	1.23	11,400	0.80	1.35	10,200	0.85	1.47
	75/63	13,500	0.72	0.95	12,300	0.76	1.07	11,300	0.81	1.22	10,000	0.85	1.32	9,500	0.93	1.45
	75/57	12,400	1.00	0.94	11,600	1.00	1.12	11,100	1.00	1.21	9,400	1.00	1.30	9,000	1.00	1.43
HWC9**-7-12-12P	85/72	15,300	0.61	0.95	14,600	0.63	1.09	13,100	0.69	1.24	12,400	0.71	1.36	11,000	0.76	1.48
	80/67	14,300	0.68	0.95	13,700	0.72	1.09	12,000	0.75	1.23	11,400	0.80	1.35	10,200	0.85	1.47
	75/63	13,500	0.72	0.95	12,300	0.76	1.07	11,300	0.81	1.22	10,000	0.85	1.32	9,500	0.93	1.45
	75/57	12,400	1.00	0.94	11,600	1.00	1.12	11,100	1.00	1.21	9,400	1.00	1.30	9,000	1.00	1.43

### COOLING PERFORMANCE EXTENDED RATINGS

Model	Indoor Temp DB/ WB °F	Outdoor Temperature - DB °F (0.3" w.c. External Static Pressure)														
		65			85			95			105			115		
		Btuh	S/T	kW	Btuh	S/T	kW	Btuh	S/T	kW	Btuh	S/T	kW	Btuh	S/T	kW
HWC9**-7-11-18P	85/72	21,000	0.59	1.28	19,700	0.60	1.52	18,400	0.62	1.68	16,800	0.64	1.80	15,400	0.72	2.10
	80/67	19,300	0.72	1.24	18,500	0.75	1.46	17,000	0.78	1.65	15,400	0.81	1.79	13,800	0.85	1.99
	75/63	18,500	0.76	1.21	17,300	0.79	1.51	15,500	0.81	1.67	14,100	0.85	1.79	12,300	0.89	1.95
	75/57	16,800	1.00	1.20	15,500	1.00	1.50	14,100	1.00	1.67	12,900	1.00	1.78	11,200	1.00	1.94
HWC9**-7-12-18P	85/72	21,000	0.64	1.20	20,000	0.65	1.45	18,900	0.67	1.59	17,200	0.71	1.71	15,200	0.74	1.86
	80/67	19,200	0.72	1.16	18,400	0.74	1.38	16,800	0.77	1.55	15,400	0.80	1.68	13,800	0.85	1.84
	75/63	18,200	0.76	1.14	17,100	0.70	1.44	15,200	0.79	1.58	13,500	0.83	1.66	11,500	0.90	1.82
	75/57	16,700	1.00	1.12	15,900	1.00	1.43	13,800	1.00	1.56	12,600	1.00	1.65	11,000	1.00	1.81
HWC9**-7-11-24P	85/72	29,500	0.63	1.74	27,400	0.63	2.03	25,000	0.64	2.35	22,800	0.66	2.57	20,500	0.70	2.87
	80/67	27,300	0.68	1.69	24,600	0.70	2.02	22,200	0.73	2.32	20,300	0.77	2.55	18,700	0.80	2.86
	75/63	25,500	0.71	1.66	22,800	0.73	2.00	20,600	0.75	2.26	18,800	0.80	2.53	16,900	0.81	2.84
	75/57	22,000	1.00	1.65	20,300	1.00	1.97	19,200	1.00	2.25	17,800	1.00	2.53	16,100	1.00	2.80
HWC9**-7-11-30P	85/72	35,900	0.62	2.41	30,900	0.66	2.75	30,000	0.66	3.11	27,000	0.60	3.34	24,700	0.73	3.56
	80/67	32,500	0.69	2.37	29,900	0.70	2.73	26,800	0.73	3.05	24,300	0.77	3.27	22,500	0.79	3.67
	75/63	29,900	0.71	2.34	28,500	0.86	2.72	24,600	0.77	3.02	22,100	0.80	3.25	19,700	0.85	3.45
	75/57	26,400	1.00	2.33	27,300	1.00	2.71	22,900	1.00	2.99	H32:P36	1.00	3.23	18,700	1.00	3.43

### HWC8 BLOWER PERFORMANCE

SUPPLY AIRFLOW PERFORMANCE (SCFM) AS A FUNCTION OF EXTERNAL STATIC PRESSURE												
Model	Rise Range (°F)	Mid Rise (°F)	Indoor Blower Speed	Unit Voltage (V)	0.1" w.c.		0.2" w.c.		0.3" w.c.		0.4" w.c.	
					SCFM	Temp Rise (°F)	SCFM	Temp Rise (°F)	SCFM	Temp Rise (°F)	SCFM	Temp Rise (°F)
HWC824-7-11-12P HWC824-7-12-12P	25-55	40	TAP 1 (COOL) <sup>†</sup>	208 OR 230	480		460		440		415	
			TAP 2 (COOL)	208 OR 230	530		505		485		460	
			TAP 3 (HEAT)*	208 OR 230	455	39	415	43	385	46	355	50
			TAP 4 (HEAT)	208 OR 230	570	31	540	33	510	35	485	37
			TAP 5 (HEAT)	208 OR 230	655	27	625	28	595	30	575	31
HWC836-7-11-12P HWC836-7-12-12P	35-65	50	TAP 1 (COOL) <sup>†</sup>	208 OR 230	480		460		440		415	
			TAP 2 (COOL)	208 OR 230	530		505		485		460	
			TAP 3 (HEAT)	208 OR 230	455	59	415	N/A	385	N/A	355	N/A
			TAP 4 (HEAT)*	208 OR 230	570	47	540	50	510	53	485	55
			TAP 5 (HEAT)	208 OR 230	655	41	625	43	595	45	575	47
HWC836-7-11-18P HWC836-7-12-18P	25-55	40	TAP 1 (COOL) <sup>†</sup>	208 OR 230	635		610		600		570	
			TAP 2 (COOL)	208 OR 230	670		645		625		605	
			TAP 3 (HEAT)*	208 OR 230	630	42	600	44	570	47	550	48
			TAP 4 (HEAT)	208 OR 230	770	35	740	36	715	37	690	39
			TAP 5 (HEAT)	208 OR 230	885	30	855	31	830	32	810	33
HWC848-7-11-18P HWC848-7-12-18P	35-65	50	TAP 1 (COOL) <sup>†</sup>	208 OR 230	635		610		600		570	
			TAP 2 (COOL)	208 OR 230	670		645		625		605	
			TAP 3 (HEAT)	208 OR 230	630	56	600	59	570	62	550	N/A
			TAP 4 (HEAT)*	208 OR 230	770	46	740	48	715	50	690	52
			TAP 5 (HEAT)	208 OR 230	885	40	855	42	830	43	810	44
HWC860-7-11-18P HWC860-7-12-18P	45-75	60	TAP 1 (COOL) <sup>†</sup>	208 OR 230	635		610		600		570	
			TAP 2 (COOL)	208 OR 230	670		645		625		605	
			TAP 3 (HEAT)	208 OR 230	630	71	600	N/A	570	N/A	550	N/A
			TAP 4 (HEAT)	208 OR 230	770	58	740	60	715	62	690	64
			TAP 5 (HEAT)*	208 OR 230	885	50	855	52	830	54	810	55
HWC836-7-11-24P	25-55	40	TAP 1 (COOL) <sup>†</sup>	208 OR 230	770		750		730		710	
			TAP 2 (COOL)	208 OR 230	820		790		770		750	
			TAP 3 (HEAT)*	208 OR 230	645	42	615	44	590	47	565	48
			TAP 4 (HEAT)	208 OR 230	780	35	755	36	730	37	710	39
			TAP 5 (HEAT)	208 OR 230	900	30	875	31	855	32	835	33
HWC848-7-11-24P	35-65	50	TAP 1 (COOL) <sup>†</sup>	208 OR 230	770		750		730		710	
			TAP 2 (COOL)	208 OR 230	820		790		770		750	
			TAP 3 (HEAT)	208 OR 230	645	55	615	58	590	60	565	63
			TAP 4 (HEAT)*	208 OR 230	780	46	755	47	730	49	710	50
			TAP 5 (HEAT)	208 OR 230	900	40	875	41	855	42	835	43

N/A: Do not operate unit in heating mode using this blower speed at this external static pressure outside of the proper temperature rise range.

NOTE: HWC\*\*30B models shipped with Low and High stage Cooling taps connected for use of the two-stage system.

\* As shipped speed for Heating operation

† As shipped speed for Cooling operation

## HWC8 BLOWER PERFORMANCE

SUPPLY AIRFLOW PERFORMANCE (SCFM) AS A FUNCTION OF EXTERNAL STATIC PRESSURE												
Model	Rise Range (°F)	Mid Rise (°F)	Indoor Blower Speed	Unit Voltage (V)	0.1" w.c.		0.2" w.c.		0.3" w.c.		0.4" w.c.	
					SCFM	Temp Rise (°F)	SCFM	Temp Rise (°F)	SCFM	Temp Rise (°F)	SCFM	Temp Rise (°F)
HWC860-7-11-24P	45-75	60	TAP 1 (COOL)†	208 OR 230	770		750		730		710	
			TAP 2 (COOL)	208 OR 230	820		790		770		750	
			TAP 3 (HEAT)	208 OR 230	645	69	615	72	590	N/A	565	N/A
			TAP 4 (HEAT)	208 OR 230	780	57	755	59	730	61	710	63
			TAP 5 (HEAT)*	208 OR 230	900	49	875	51	855	52	835	53
HWC848-7-11-30P	30-60	45	TAP 1 (COOL)†	208 OR 230	530		510		490		465	
			TAP 2 (COOL)	208 OR 230	570		545		530		505	
			TAP 3 (COOL)†	208 OR 230	950		920		900		885	
			TAP 4 (HEAT)*	208 OR 230	780	46	755	47	730	49	710	50
			TAP 5 (HEAT)	208 OR 230	900	40	875	41	855	42	835	43
HWC860-7-11-30P	45-75	60	TAP 1 (COOL)†	208 OR 230	530		510		490		465	
			TAP 2 (COOL)	208 OR 230	570		545		530		505	
			TAP 3 (COOL)†	208 OR 230	950		920		900		885	
			TAP 4 (HEAT)	208 OR 230	780	57	755	59	730	61	710	63
			TAP 5 (HEAT)*	208 OR 230	900	49	875	51	855	52	835	53

N/A: Do not operate unit in heating mode using this blower speed at this external static pressure outside of the proper temperature rise range.

NOTE: HWC\*\*30B models shipped with Low and High stage Cooling taps connected for use of the two-stage system.

\* As shipped speed for Heating operation

† As shipped speed for Cooling operation



### HWC9 BLOWER PERFORMANCE

SUPPLY AIRFLOW PERFORMANCE (SCFM) AS A FUNCTION OF EXTERNAL STATIC PRESSURE												
Model	Rise Range (°F)	Mid Rise (°F)	Indoor Blower Speed	Unit Voltage (V)	0.1" w.c.		0.2" w.c.		0.3" w.c.		0.4" w.c.	
					SCFM	Temp Rise (°F)	SCFM	Temp Rise (°F)	SCFM	Temp Rise (°F)	SCFM	Temp Rise (°F)
HWC922-7-11-12P HWC922-7-12-12P	25-55	40	TAP 1 (COOL)†	208 OR 230	480		460		440		415	
			TAP 2 (COOL)	208 OR 230	530		505		485		460	
			TAP 3 (HEAT)*	208 OR 230	455	42	415	46	385	50	355	54
			TAP 4 (HEAT)	208 OR 230	570	34	540	36	510	38	485	40
			TAP 5 (HEAT)	208 OR 230	655	29	625	31	595	32	575	33
HWC933-7-11-12P HWC933-7-12-12P	36-65	50	TAP 1 (COOL)†	208 OR 230	480		460		440		415	
			TAP 2 (COOL)	208 OR 230	530		505		485		460	
			TAP 3 (HEAT)	208 OR 230	455	63	415	N/A	385	N/A	355	N/A
			TAP 4 (HEAT)*	208 OR 230	570	50	540	53	510	56	485	59
			TAP 5 (HEAT)	208 OR 230	655	44	625	46	595	48	575	50
HWC933-7-11-18P HWC933-7-12-18P	30-60	45	TAP 1 (COOL)†	208 OR 230	635		610		600		570	
			TAP 2 (COOL)	208 OR 230	670		645		625		605	
			TAP 3 (HEAT)*	208 OR 230	630	45	600	48	570	50	550	52
			TAP 4 (HEAT)	208 OR 230	770	37	740	39	715	40	690	42
			TAP 5 (HEAT)	208 OR 230	885	32	855	34	830	35	810	35
HWC944-7-11-18P HWC944-7-12-18P	35-65	50	TAP 1 (COOL)†	208 OR 230	635		610		600		570	
			TAP 2 (COOL)	208 OR 230	670		645		625		605	
			TAP 3 (HEAT)	208 OR 230	630	61	600	64	570	N/A	550	N/A
			TAP 4 (HEAT)*	208 OR 230	770	50	740	52	715	54	690	56
			TAP 5 (HEAT)	208 OR 230	885	43	855	45	830	46	810	47

N/A: Do not operate unit in heating mode using this blower speed at this external static pressure outside of the proper temperature rise range.

NOTE: HWC\*\*30B models shipped with Low and High stage Cooling taps connected for use of the two-stage system.

\* As shipped speed for Heating operation

† As shipped speed for Cooling operation

## HWC9 BLOWER PERFORMANCE

SUPPLY AIRFLOW PERFORMANCE (SCFM) AS A FUNCTION OF EXTERNAL STATIC PRESSURE												
Model	Rise Range (°F)	Mid Rise (°F)	Indoor Blower Speed	Unit Voltage (V)	0.1" w.c.		0.2" w.c.		0.3" w.c.		0.4" w.c.	
					SCFM	Temp Rise (°F)	SCFM	Temp Rise (°F)	SCFM	Temp Rise (°F)	SCFM	Temp Rise (°F)
HWC955-7-11-18P HWC955-7-12-18P	45-75	60	TAP 1 (COOL)†	208 OR 230	635		610		600		570	
			TAP 2 (COOL)	208 OR 230	670		645		625		605	
			TAP 3 (HEAT)	208 OR 230	630	N/A	600	N/A	570	N/A	550	N/A
			TAP 4 (HEAT)	208 OR 230	770	61	740	64	715	66	690	68
			TAP 5 (HEAT)*	208 OR 230	885	53	855	55	830	57	810	58
HWC9N33-7-11-24P	30-60	45	TAP 1 (COOL)†	208 OR 230	770		750		730		710	
			TAP 2 (COOL)	208 OR 230	820		790		770		750	
			TAP 3 (HEAT)*	208 OR 230	645	44	615	47	590	49	565	51
			TAP 4 (HEAT)	208 OR 230	780	37	755	38	730	39	710	40
			TAP 5 (HEAT)	208 OR 230	900	32	875	33	855	34	835	34
HWC944-7-11-24P	25-55	40	TAP 1 (COOL)†	208 OR 230	770		750		730		710	
			TAP 2 (COOL)	208 OR 230	820		590		770		750	
			TAP 3 (HEAT)	208 OR 230	645	59	615	62	590	65	565	N/A
			TAP 4 (HEAT)*	208 OR 230	780	49	755	51	730	52	710	54
			TAP 5 (HEAT)	208 OR 230	900	43	875	44	855	45	835	46
HWC955-7-11-24P	35-65	50	TAP 1 (COOL)†	208 OR 230	770		750		730		710	
			TAP 2 (COOL)	208 OR 230	820		790		770		750	
			TAP 3 (HEAT)	208 OR 230	645	73	615	N/A	590	N/A	565	N/A
			TAP 4 (HEAT)	208 OR 230	780	61	755	63	730	65	710	67
			TAP 5 (HEAT)*	208 OR 230	900	53	875	54	855	55	835	57
HWC944-7-11-30P	35-65	50	TAP 1 (COOL)†	208 OR 230	530		510		490		465	
			TAP 2 (COOL)	208 OR 230	570		545		530		505	
			TAP 3 (COOL)†	208 OR 230	950		920		900		885	
			TAP 4 (HEAT)*	208 OR 230	780	49	755	51	730	52	710	54
			TAP 5 (HEAT)	208 OR 230	900	43	875	44	855	45	835	46
HWC955-7-11-30P	45-75	60	TAP 1 (COOL)†	208 OR 230	530		510		490		465	
			TAP 2 (COOL)	208 OR 230	570		545		530		505	
			TAP 3 (COOL)†	208 OR 230	950		920		900		885	
			TAP 4 (HEAT)	208 OR 230	780	61	755	63	730	65	710	67
			TAP 5 (HEAT)*	208 OR 230	900	53	875	54	855	55	835	57

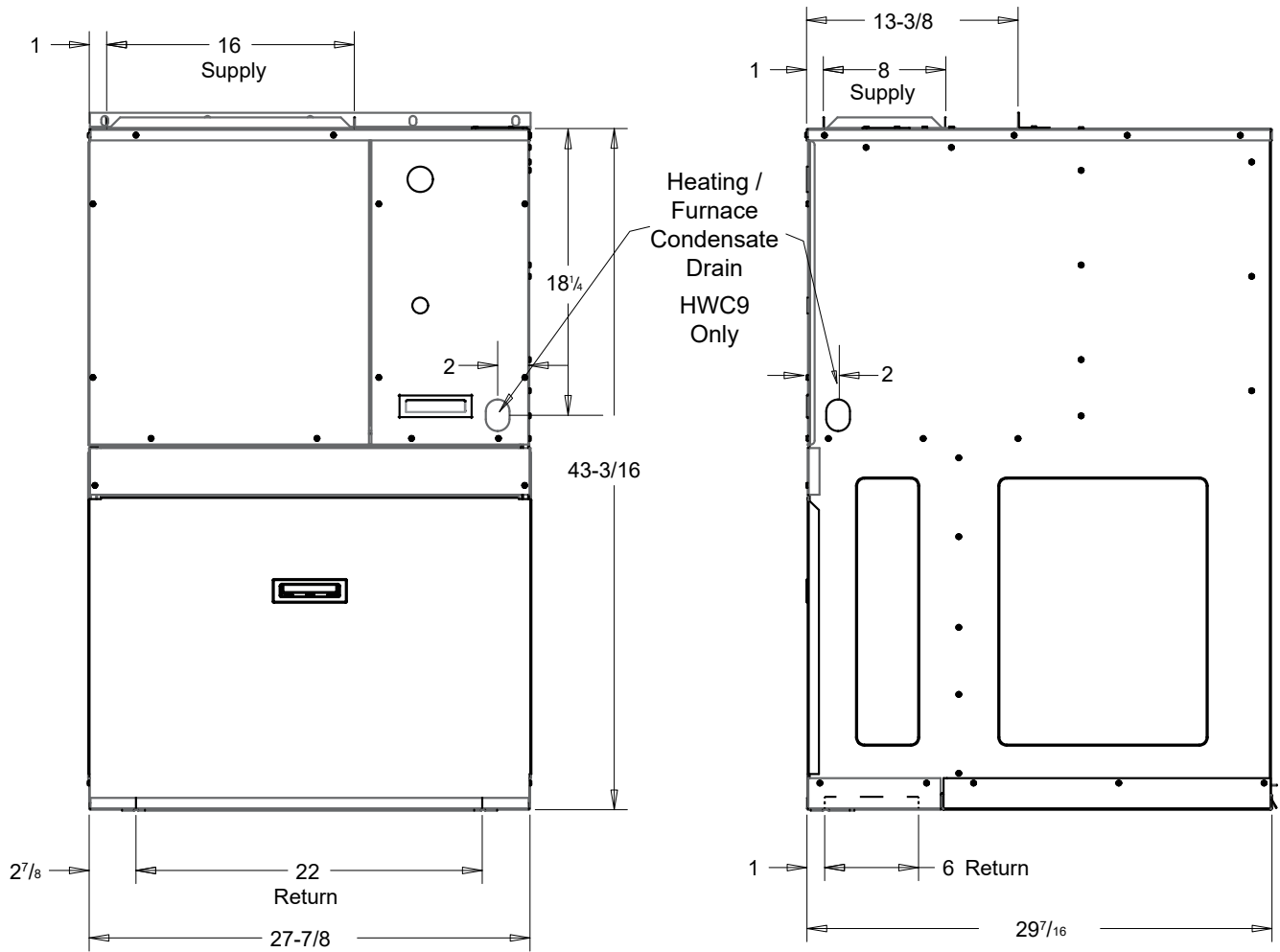
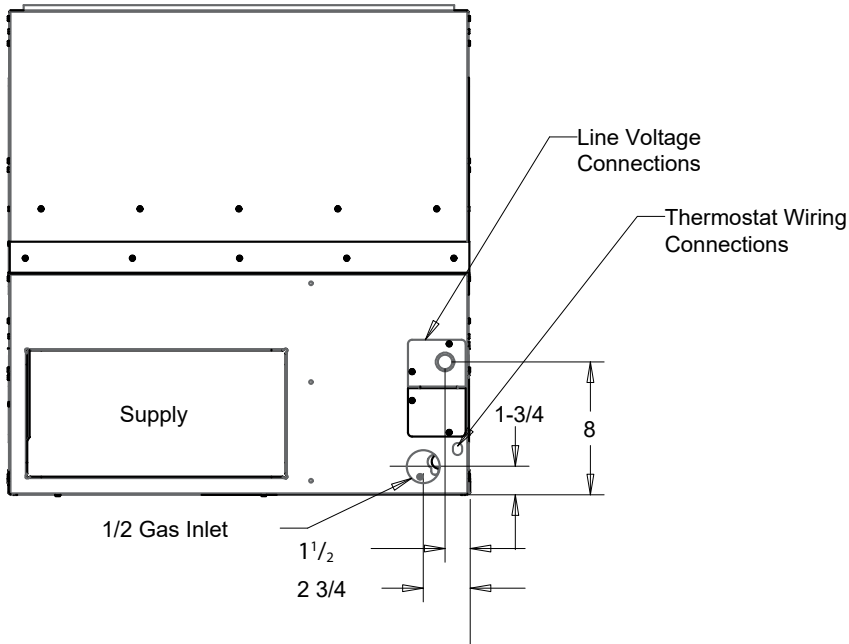
N/A: Do not operate unit in heating mode using this blower speed at this external static pressure outside of the proper temperature rise range.

NOTE: HWC\*\*30B models shipped with Low and High stage Cooling taps connected for use of the two-stage system.

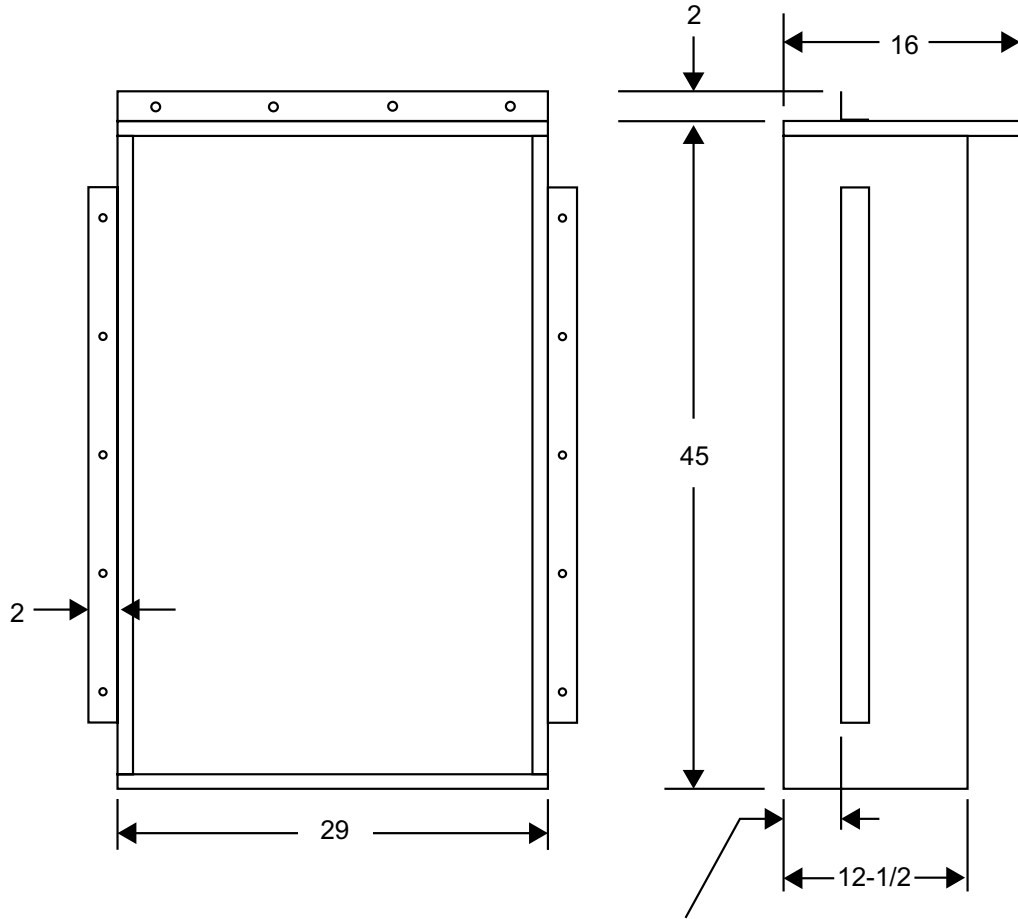
\* As shipped speed for Heating operation

† As shipped speed for Cooling operation

**UNIT DIMENSIONS**



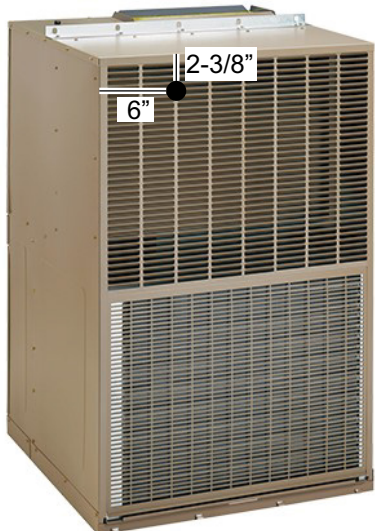
### WALL SLEEVE DIMENSIONS



Flange may be assembled  
1" or 3-3/4" from front of sleeve

### VENT LOCATION

**HWC8**



**HWC9**





215 Metropolitan Drive | West Columbia, SC 29170  
800-448-5872  
Product Support 866-282-7257  
[www.magic-pak.com](http://www.magic-pak.com)

All specifications and illustrations subject to change  
without notice and without incurring obligations.