

FEATURES

- Over 50 years of unit expertise and design
- Self-contained Heating and Cooling Packaged Unit
 - No need for outdoor units, line sets, or separate venting
 - Pre-wired and pre-charged

REFRIGERANT SYSTEM

- High-efficiency compressor standard on all models
- EWC**-7-11-30P includes a two-stage high-efficiency compressor
- Copper tubing with enhanced aluminum fin coils
- Slide-out Cooling chassis for ease of service
- Anti-microbial evaporative drain pan

BLOWER

- Multi-speed blower motor for diverse airflow range
- Resilient motor mounts for smooth and quiet operation
- Internal washable filter is standard

CONTROLS

- Conventional 24V thermostat
 - One Stage Cool/Heat required up to 2 tons
 - Two Stage Cool/One Stage Heat for 2.5-ton model
- Color-coded wiring for ease of installation and service
- Diagnostic LED
- Easily accessible control box
- Optimal field installed refrigerant detection system

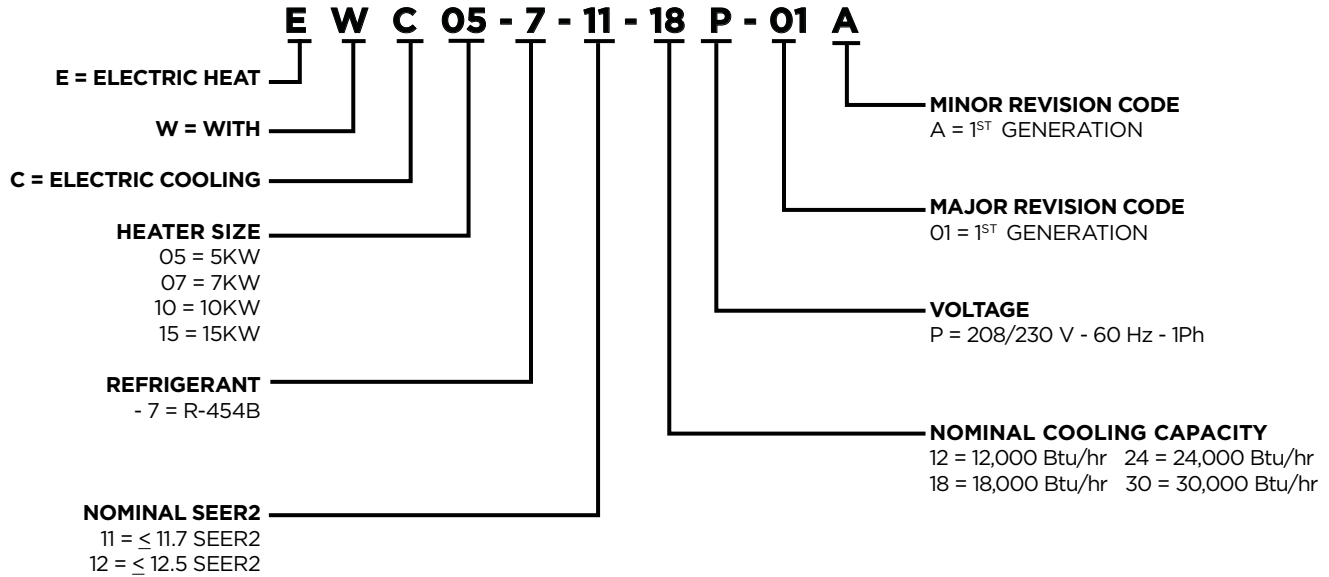
WARRANTY

- Five (5) Year Limited Parts Warranty

EWC MODEL UNITS ELECTRIC HEATING / ELECTRIC COOLING PACKAGED UNITS



MODEL NUMBER GUIDE



ELECTRICAL AND PHYSICAL DATA

Model	Voltage/Hz/Phase	Voltage Range		MCA ¹				MOCP ²				Compressor		Outside Fan				Indoor Blower			R454B Charge	Approx. Weight (lbs.)			
				CKT1		CKT2		CKT1		CKT2		Rated Load Amps	Locked Rotor Amps	Dia	Nominal RPM	Full Load Amps	HP	Wheel Dia x Width	Full Load Amps	HP					
		208V	240V	208V	240V	208V	240V	208V	240V																
EWC05-7-11-12P-01A	208-230/60/1	197-253	23.3	26.6	N/A	N/A	25	30	N/A	N/A	4.9	26.4	18.0	1075	0.9	1/8	10 x 4.375	4.1	1/2	36	284				
EWC07-7-11-12P-01A			34.1	39.1			35	40						1100	2.8	1/3		3.7							
EWC05-7-12-12P-01A			23.3	26.6			25	30						1100	2.8	1/3		3.7							
EWC07-7-12-12P-01A			34.1	39.1			35	40						1100	2.8	1/3		3.7							
EWC05-7-11-18P-01A			25.0	28.4	N/A	N/A	30	30	N/A	N/A	6.3	32.7	18.0	1075	1.4	1/4	10 x 4.375	4.1	1/2	53	311				
EWC07-7-11-18P-01A			35.9	40.9			40	45						1075	1.4	1/4		4.1							
EWC10-7-11-18P-01A			46.7	53.4			50	60						1100	2.8	1/3		3.7							
EWC05-7-12-18P-01A			25.0	28.4			30	30						1100	2.8	1/3		3.7							
EWC07-7-12-18P-01A			35.9	40.9	40	45	1100	2.8	1/3	3.7															
EWC10-7-12-18P-01A			46.7	53.4	50	60	1100	2.8	1/3	3.7															
EWC10-7-11-24P-01A			46.7	53.4	43.3	50.0	50	60	N/A	N/A	12.7	64.4	18.0	1100	2.8	1/3	10 x 4.375	4.1	1/2	50	333				
EWC15-7-11-24P-01A			25.0	28.4			30	30			45	50		16.2				82.0				1200	3.7	50	339
EWC10-7-11-30P-01A			47.8	54.5			50	60			1200	3.7		50				339							
EWC15-7-11-30P-01A			26.2	29.5	43.3	50.0	30	30	45	50	16.2	82.0	18.0	1200	3.7	50	339								

¹ MCA = Minimum Circuit Ampacity
² MOCP = Maximum Over Current Protection

PERFORMANCE

Model	Cooling			Heating			
	Btuh	SEER2	S/T	240V		208V	
				kW/Hr	Btu/Hr	kW/Hr	Btu/Hr
EWC05-7-11-12P-01A	12,000	11.7	0.75	4.8	16,300	3.6	12,300
EWC07-7-11-12P-01A				7.2	24,600	5.4	18,400
EWC05-7-12-12P-01A		12.5	0.75	4.8	16,300	3.6	12,300
EWC07-7-12-12P-01A				7.2	24,600	5.4	18,400
EWC05-7-11-18P-01A	17,000	11.7	0.78	4.8	16,300	3.6	12,300
EWC07-7-11-18P-01A				7.2	24,600	5.4	18,400
EWC10-7-11-18P-01A				9.6	32,700	7.2	24,600
EWC05-7-12-18P-01A	16,800	12.4	0.77	4.8	16,300	3.6	12,300
EWC07-7-12-18P-01A				7.2	24,600	5.4	18,400
EWC10-7-12-18P-01A				9.6	32,700	7.2	24,600
EWC10-7-11-24P-01A	22,200	11.7	0.73	9.6	32,700	7.2	24,600
EWC15-7-11-24P-01A				14.4	49,100	10.8	36,900
EWC10-7-11-30P-01A	26,800	11.7	0.73	9.6	32,700	7.2	24,600
EWC15-7-11-30P-01A				14.4	49,100	10.8	36,900

FACTORY FILTER SIZE (IN.) AND PRESSURE DROP (IN. W.C.)

Model	Filter Size	Supply Airflow (CFM)							
		300	400	500	600	700	800	900	1000
All EWC	16.5 x 25	0.01	0.01	0.02	0.03	0.03	0.04	0.05	0.06

Performance based on factory-provided washable filter installed in the unit. If a higher resistance filter is installed in the unit, the added resistance must be included in the external static pressure and must not exceed 0.5 in. w.c. including ductwork.

ACCESSORIES

Description	Kit #	Where Used
Wall Sleeve	CA239	All EWCs
Decorative External Louver Clear Anodized Aluminum	ALVR42	
Decorative External Louver Painted Aluminum	ALVR42P	
Refrigerant Detection System (RDS) MagicPak V-Series Kit	ARDSKTV	

BLOWER PERFORMANCE

SUPPLY AIRFLOW PERFORMANCE (SCFM) AS A FUNCTION OF EXTERNAL STATIC PRESSURE							
Model	Indoor Blower Speed	Unit Voltage (V)	0.1" w.c.	0.2" w.c.	0.3" w.c.	0.4" w.c.	0.5" w.c.
EWC05-7-11-12P EWC05-7-12-12P	TAP 1 (COOL)†	208 OR 230	480	460	440	415	390
	TAP 2 (COOL)	208 OR 230	530	505	485	460	430
	TAP 3 (HEAT)*	208 OR 230	615	590	570	545	525
	TAP 4 (HEAT)	208 OR 230	655	630	610	590	570
	TAP 5 (HEAT)	208 OR 230	795	780	760	745	725
EWC07-7-11-12P EWC07-7-12-12P	TAP 1 (COOL)†	208 OR 230	480	460	440	415	390
	TAP 2 (COOL)	208 OR 230	530	505	485	460	430
	TAP 3 (HEAT)	208 OR 230	615	590	570	545	525
	TAP 4 (HEAT)*	208 OR 230	655	630	610	590	570
	TAP 5 (HEAT)	208 OR 230	798	780	760	745	725
EWC05-7-11-18P EWC07-7-11-18P EWC05-7-12-18P EWC07-7-12-18P	TAP 1 (COOL)†	208 OR 230	635	610	600	570	550
	TAP 2 (COOL)	208 OR 230	670	645	625	605	585
	TAP 3 (HEAT)	208 OR 230	805	785	770	750	730
	TAP 4 (HEAT)*	208 OR 230	825	805	785	770	750
	TAP 5 (HEAT)	208 OR 230	910	890	875	860	845
EWC10-7-11-18P EWC10-7-12-18P	TAP 1 (COOL)†	208 OR 230	635	610	600	570	550
	TAP 2 (COOL)	208 OR 230	670	645	625	605	585
	TAP 3 (HEAT)	208 OR 230	805	785	770	750	730
	TAP 4 (HEAT)	208 OR 230	825	805	785	770	750
	TAP 5 (HEAT)*	208 OR 230	910	890	875	860	845
EWC10-7-11-24P	TAP 1 (COOL)†	208 OR 230	770	750	730	710	690
	TAP 2 (COOL)	208 OR 230	820	790	770	750	730
	TAP 3 (HEAT)	208 OR 230	805	785	770	750	730
	TAP 4 (HEAT)	208 OR 230	825	805	785	770	750
	TAP 5 (HEAT)*	208 OR 230	910	890	875	860	845
EWC15-7-11-24P	TAP 1 (COOL)†	208 OR 230	770	750	730	710	690
	TAP 2 (COOL)	208 OR 230	820	790	770	750	730
	TAP 3 (HEAT)	208 OR 230	805	785	770	750	730
	TAP 4 (HEAT)	208 OR 230	825	805	785	770	750
	TAP 5 (HEAT)*	208 OR 230	910	890	875	860	845
EWC10-7-11-30P	TAP 1 (COOL)†	208 OR 230	530	510	490	465	440
	TAP 2 (COOL)	208 OR 230	570	545	530	505	480
	TAP 3 (COOL)†	208 OR 230	950	920	900	885	865
	TAP 4 (HEAT)	208 OR 230	825	805	785	770	750
	TAP 5 (HEAT)*	208 OR 230	910	890	875	860	845
EWC15-7-11-30P	TAP 1 (COOL)†	208 OR 230	530	510	490	465	440
	TAP 2 (COOL)	208 OR 230	570	545	530	505	480
	TAP 3 (COOL)†	208 OR 230	950	920	900	885	865
	TAP 4 (HEAT)	208 OR 230	825	805	785	770	750
	TAP 5 (HEAT)*	208 OR 230	910	890	875	860	845

NOTE: EWC**30 models shipped with Low and High stage Cooling taps connected for use of the two-stage system.

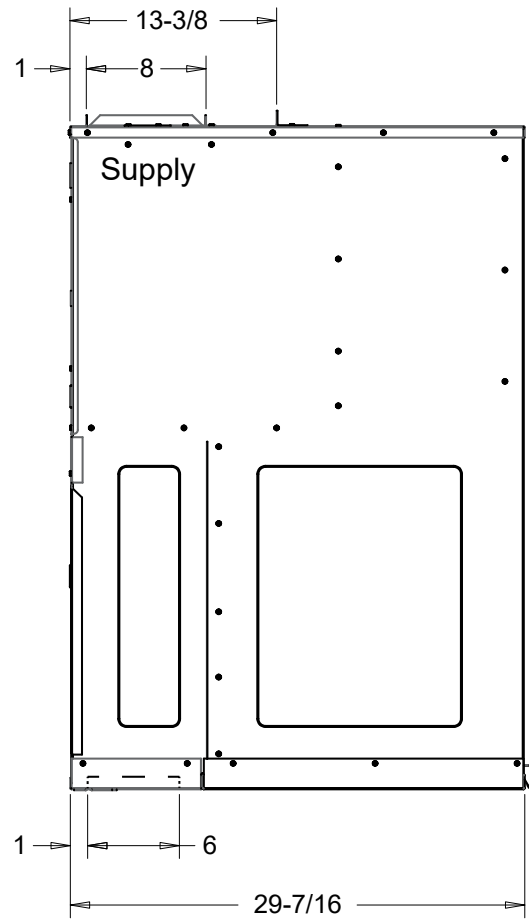
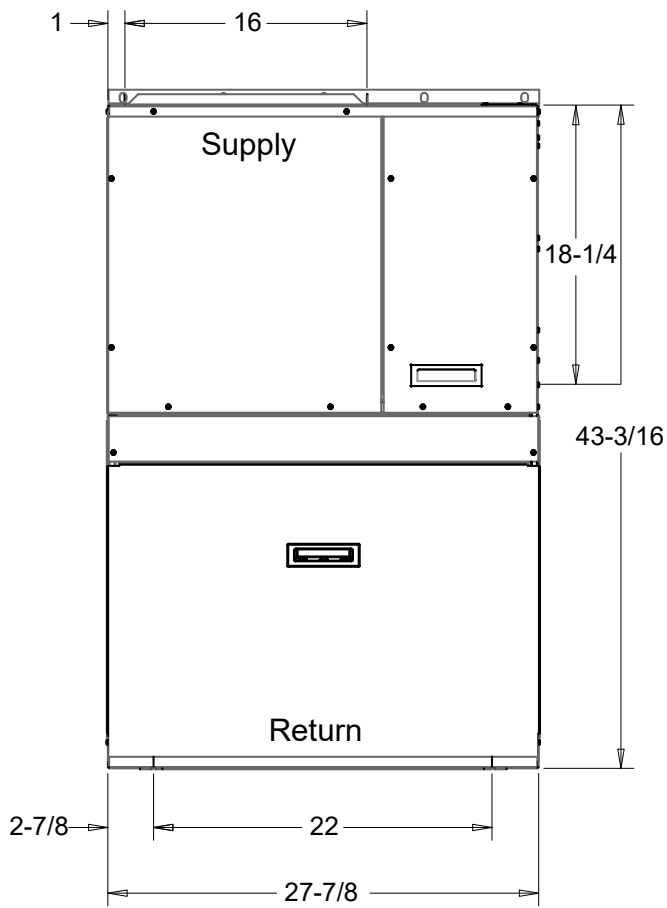
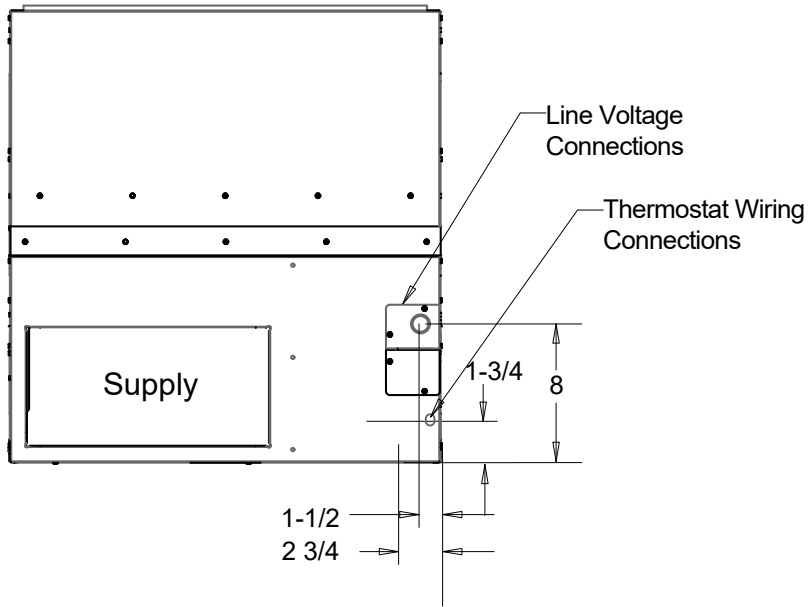
* As shipped speed for Heating operation

† As shipped speed for Cooling operation

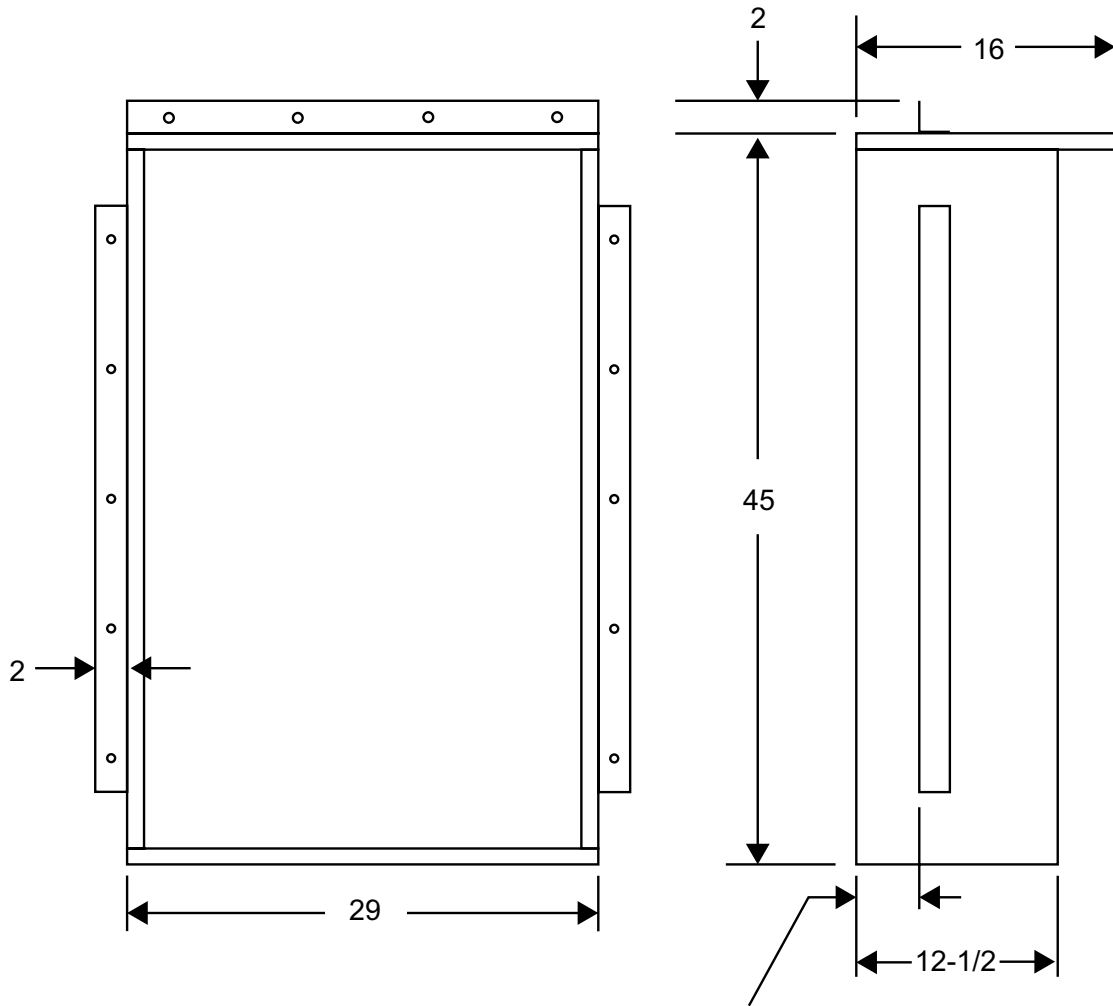
COOLING PERFORMANCE EXTENDED RATINGS

Model	Indoor Temp DB/WB °F	Outdoor Temperature - DB °F (0.3" w.c. External Static Pressure)														
		65			85			95			105			115		
		Btuh	S/T	kW	Btuh	S/T	kW	Btuh	S/T	kW	Btuh	S/T	kW	Btuh	S/T	kW
EWC**-7-11-12P	85/72	15,300	0.61	0.95	14,600	0.63	1.09	13,100	0.69	1.24	12,400	0.71	1.36	11,000	0.76	1.48
	80/67	14,300	0.68	0.95	13,700	0.72	1.09	12,000	0.75	1.23	11,400	0.80	1.35	10,200	0.85	1.47
	75/63	13,500	0.72	0.95	12,300	0.76	1.07	11,300	0.81	1.22	10,000	0.85	1.32	9,500	0.93	1.45
	75/57	12,400	1.00	0.94	11,600	1.00	1.12	11,100	1.00	1.21	9,400	1.00	1.30	9,000	1.00	1.43
EWC**-7-12-12P	85/72	15,300	0.61	0.95	14,600	0.63	1.09	13,100	0.69	1.24	12,400	0.71	1.36	11,000	0.76	1.48
	80/67	14,300	0.68	0.95	13,700	0.72	1.09	12,000	0.75	1.23	11,400	0.80	1.35	10,200	0.85	1.47
	75/63	13,500	0.72	0.95	12,300	0.76	1.07	11,300	0.81	1.22	10,000	0.85	1.32	9,500	0.93	1.45
	75/57	12,400	1.00	0.94	11,600	1.00	1.12	11,100	1.00	1.21	9,400	1.00	1.30	9,000	1.00	1.43
EWC**-7-11-18P	85/72	21,000	0.59	1.28	19,700	0.60	1.52	18,400	0.62	1.68	16,800	0.64	1.80	15,400	0.72	2.10
	80/67	19,300	0.72	1.24	18,500	0.75	1.46	17,000	0.78	1.65	15,400	0.81	1.79	13,800	0.85	1.99
	75/63	18,500	0.76	1.21	17,300	0.79	1.51	15,500	0.81	1.67	14,100	0.85	1.79	12,300	0.89	1.95
	75/57	16,800	1.00	1.20	15,500	1.00	1.50	14,100	1.00	1.67	12,900	1.00	1.78	11,200	1.00	1.94
EWC**-7-12-18P	85/72	21,000	0.64	1.20	20,000	0.65	1.45	18,900	0.67	1.59	17,200	0.71	1.71	15,200	0.74	1.86
	80/67	19,200	0.72	1.16	18,400	0.74	1.38	16,800	0.77	1.55	15,400	0.80	1.68	13,800	0.85	1.84
	75/63	18,200	0.76	1.14	17,100	0.70	1.44	15,200	0.79	1.58	13,500	0.83	1.66	11,500	0.90	1.82
	75/57	16,700	1.00	1.12	15,900	1.00	1.43	13,800	1.00	1.56	12,600	1.00	1.65	11,000	1.00	1.81
EWC**-7-11-24P	85/72	29,500	0.63	1.74	27,400	0.63	2.03	25,000	0.64	2.35	22,800	0.66	2.57	20,500	0.70	2.87
	80/67	27,300	0.68	1.69	24,600	0.70	2.02	22,200	0.73	2.32	20,300	0.77	2.55	18,700	0.80	2.86
	75/63	25,500	0.71	1.66	22,800	0.73	2.00	20,600	0.75	2.26	18,800	0.80	2.53	16,900	0.81	2.84
	75/57	22,000	1.00	1.65	20,300	1.00	1.97	19,200	1.00	2.25	17,800	1.00	2.53	16,100	1.00	2.80
EWC**-7-11-30P	85/72	35,900	0.62	2.41	30,900	0.66	2.75	30,000	0.66	3.11	27,000	0.60	3.34	24,700	0.73	3.56
	80/67	32,500	0.69	2.37	29,900	0.70	2.73	26,800	0.73	3.05	24,300	0.77	3.27	22,500	0.79	3.67
	75/63	29,900	0.71	2.34	28,500	0.86	2.72	24,600	0.77	3.02	22,100	0.80	3.25	19,700	0.85	3.45
	75/57	26,400	1.00	2.33	27,300	1.00	2.71	22,900	1.00	2.99	20,800	1.00	3.23	18,700	1.00	3.43

UNIT DIMENSIONS



WALL SLEEVE DIMENSIONS



Flange may be assembled
1" or 3-3/4" from front of sleeve



215 Metropolitan Drive | West Columbia, SC 29170
800-448-5872
Product Support 866-282-7257
www.magic-pak.com

All specifications and illustrations subject to change without notice and without incurring obligations.