

ELECTRIC COOLING/  
GAS HEATING  
PACKAGED UNIT



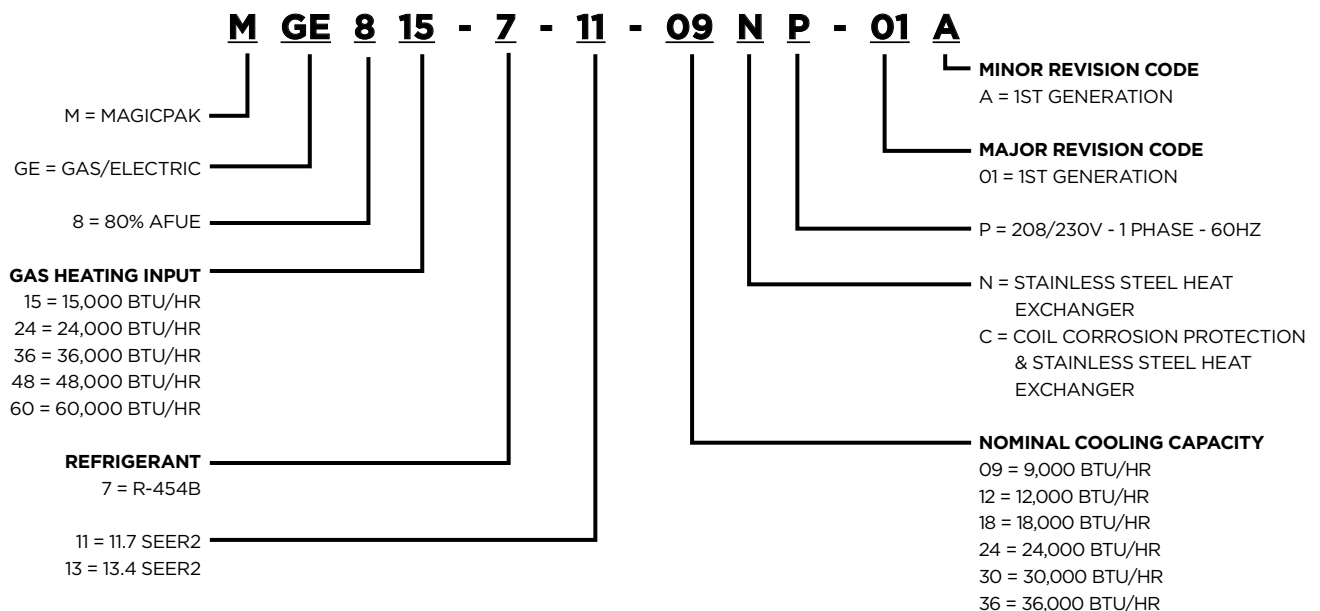
FORM NO. MGE8-100 (11/2024)



Intertek

NOTE: MGE8 is not for sale in Canada

**MODEL NUMBER GUIDE**



\* Check that equipment complies with all applicable building codes, laws, and regulations for its intended use prior to installation.

**CONTENTS**

<b>APPLICATIONS .....</b>	<b>3</b>
<b>UNIT APPROVALS .....</b>	<b>3</b>
<b>WARRANTY .....</b>	<b>3</b>
<b>STANDARD FEATURES .....</b>	<b>3</b>
<b>OPTIONS &amp; ACCESSORIES .....</b>	<b>4</b>
FACTORY-INSTALLED OPTIONS.....	4
FIELD-INSTALLED ACCESSORIES.....	4
<b>UNIT ELECTRICAL AND PHYSICAL DATA .....</b>	<b>6</b>
<b>UNIT DIMENSIONS (IN.) .....</b>	<b>7</b>
<b>MINIMUM CLEARANCES.....</b>	<b>8</b>
<b>OUTDOOR SOUND RATING &amp; CABINET AIR LEAKAGE .....</b>	<b>9</b>
<b>FACTORY FILTER SIZE (IN.) AND PRESSURE DROP (IN. W.C.).....</b>	<b>9</b>
<b>SCCR ACCESSORY .....</b>	<b>9</b>
<b>HIGH ALTITUDE APPLICATION DATA .....</b>	<b>9</b>
<b>CRANKCASE HEATER.....</b>	<b>9</b>
<b>LP CONVERSION KIT .....</b>	<b>9</b>
<b>WALL SLEEVES &amp; LOUVERS.....</b>	<b>10</b>
<b>RATED COOLING &amp; HEATING PERFORMANCE.....</b>	<b>11</b>
<b>BLOWER PERFORMANCE .....</b>	<b>13</b>

## APPLICATIONS

- MagicPak units are designed for use in all multifamily applications, such as: apartments, condominiums, student housing and senior living
- Installation in conditioned and non-conditioned mechanical spaces
- Units are approved for installations up to 5,500 ft. without any modifications or adjustments
- For installations above 5,500 ft., refer to High Altitude Application Data table and installation instructions for additional details
- Must be ducted air supply and return to the unit
  - No free air supply or return is allowed

## UNIT APPROVALS

### ETL (INTERTEK)

- Design certified by Intertek (ETL) to latest edition of UL 60335-2-40
- Certified as a direct vent appliance in accordance with ANSI Z21.47
- Certified for the U.S. only
- Certified for less than 2% cabinet air leakage using ASHRAE Standard 193
- Rated with a 5kA Short Circuit Current Rating (SCCR) in accordance with RMS Symmetrical per UL 508A

### AHRI/DOE

- Certified to AHRI Standard 210/240-2023; refer to the AHRI Directory for AHRI certificates
- Cooling and heating system rated in accordance with Department of Energy (DOE) test procedures (latest edition)
- Heating system rated in accordance with Federal Trade Commission (FTC) labeling regulations

### COIL CORROSION PROTECTION

- Epoxy coating is specifically designed for use on HVAC type coils and demonstrates 6800+ hours of Sea Water Acetic Acid Testing (SWAAT) per ASTM G85:A3

### SOUND RATING

- Outdoor sound level measurements tested per ANSI/AHRI Standard 270
- Refer to Outdoor Sound Rating & Cabinet Air Leakage table for additional details

### ALUMINUM LOUVER - PAINT SPECS

- Standard and impact-resistant louvers meet AAMA 2605 specifications

## WARRANTY

### COMPRESSOR

- Five (5) years limited parts warranty

### HEAT EXCHANGER

- Twenty (20) years limited parts warranty on stainless steel heat exchanger

### ALL OTHER COVERED COMPONENTS

- Refer to Equipment Limited Warranty for additional details

## STANDARD FEATURES

### ELECTRICAL CONNECTIONS & GAUGE PORTS

- Line voltage knockouts (two concentric) to accommodate field required wire size
- Thermostat connections are located at the top of the cabinet
- Two refrigeration gauge ports are located within the lower compartment of the unit
- Refer to Unit Dimension figure for additional details
- Refer to Unit Electrical and Physical Data table for additional details

### CABINET

- Embossed galvanized steel cabinet
- Indoor section of the cabinet insulated with 0.5 in. dual density fiberglass insulation
- Outdoor section of the cabinet insulated with 0.5 in. weather-resistant polystyrene insulation

### INTERNAL FILTER

- Tool-less filter access
- Factory-installed 1 in. filter rack with washable filter
- Field-supplied filters up to MERV 6 can typically be installed in the filter slot internal to unit in lieu of washable filter, when proper duct design is applied
- If a higher resistance filter is field installed in the unit, the added resistance must be included in the external static pressure and must not exceed 0.5 in. w.c. including ductwork
- Refer to Factory Filter Size and Pressure Drop and Blower Performance tables for additional details

## REFRIGERATION SYSTEM

- Factory charged with R-454B refrigerant
- Factory sealed and tested
- Refrigerant Detection System (RDS) in units charged with refrigerant greater than or equal to 64oz  
**NOTE:** RDS kit available for units below 64oz refrigerant charge; see Field-Installed Accessories
- MGE8\*\*-7-13-36SP-\* includes a two-stage compressor

## Indoor and Outdoor Coils

- Copper tube with aluminum fin coils

## High Pressure Switch

- Shuts off unit if abnormal operating conditions cause the refrigerant liquid pressure to rise above acceptable levels

## Low Pressure Switch

- Provides loss of charge protection by shutting off unit if refrigerant suction pressure falls below acceptable levels

## TRANSFORMER

- Rated for 40VA
- Factory wired for 230/240V power supply, and includes field selectable terminal for 208V
- Converts line voltage to 24V for the thermostat and control circuits within the unit

## COMBUSTION AIR INDUCER

- Pests are discouraged from nesting in the unit's flue pipe during summer months by briefly energizing the gas furnace inducer blower at the beginning of each cooling cycle

## SUPPLY AIR BLOWER

### Constant Torque ECM Blower Motor

- Motor provides specified air volume at 0.1 in. - 0.5 in. w.c. external static pressure
- Blower assembly is easily removed for servicing
- Refer to Blower Performance tables for additional details

### Electronic Blower Control

- Dedicated blower speed taps for continuous fan, cooling, and heating operation are programmed for optimal airflow and controlled by 24V thermostat signals
- Blower speed adjustment is easily accomplished by speed tap selection
- Fixed blower delays have been selected to enhance comfort
- Refer to Blower Performance tables for additional details

## OUTDOOR FAN

- Heavy duty, fully enclosed and weatherproof
- Aluminum fan blades

## CONDENSATE MANAGEMENT

### Primary Drain Pan

- Antimicrobial protection: drain pan is injected with an antibacterial agent that destabilizes the membrane of microorganism cells, disrupting the cellular function of odor-causing mold and bacteria so that they can no longer grow or reproduce

### Overflow Protection

- Indoor drain pan overflow protection switch monitors the condensate level in primary drain pan
- Prevents unit from running if water is sensed

### Secondary Drain Pan

- Polypropylene wall sleeve base is specifically designed to direct rain water out of the building and in the event of any restriction in the primary drain will act as a redundant overflow protection

## OPTIONS & ACCESSORIES

### FACTORY-INSTALLED OPTIONS

#### CORROSION PROTECTION

- Epoxy coated indoor and outdoor coils

### FIELD-INSTALLED ACCESSORIES

#### REFRIGERANT DETECTION SYSTEM KIT (RDS)

- For units below 64oz refrigerant charge
- Includes control board, harness, leakage sensor, and sensor bracket

#### WALL SLEEVES & LOUVERS

- Units must be installed with approved wall sleeve and louver accessories for safe operation and are required for all installations  
**NOTE:** Polypropylene louvers (ALVRP\*\*\*MGE) should **not** be oversized
- Refer to Wall Sleeves and Louvers table for additional details

#### WALL SLEEVES (ASLEEVE)

- Penetrates the building envelope and creates a path for condenser air intake and exhaust
- Provides a sealed connection to the unit and a secure attachment foundation for the louvers
- Available in 6 in. to 12 in. depths

#### WALL SLEEVE EXTENSION (ASLEEVEXT4)

- Provides an additional 4 in. of depth to the wall sleeve, for a maximum depth of 16 in.

**LOUVERS****Polypropylene Louvers (ALVRP\*\*\*MGE)**

- Constructed from durable, corrosion-resistant plastic
- Available in four standard colors

**Aluminum Louvers (ALVRAL)**

- Constructed with 6063-T6 grade aluminum
- Available in anodized clear coat, primer (to be painted in the field), standard paint colors and custom colors with paint matching\*

**Impact-Resistant Aluminum Louvers (ALVRALC)**

- Impact and wind load certified up to 186 MPH, risk categories III and IV, and wind exposures C and D
  - ALVRALC-1 & ALVRALC-2: FBC Notice of Acceptance (NOA) 20-0909.03
  - ALVRALC-3, -4 & -7: FBC Notice of Acceptance (NOA) 21-1216.11
- Constructed with 6063-T6 grade aluminum
- Available in anodized clear coat, primer (to be painted in the field), standard paint colors and custom colors with paint matching\*

**LIQUID PROPANE (LP) CONVERSION KIT (ALPKT\*)**

- Enables simple conversion from natural gas to liquid propane
- Refer to LP Conversion Kit table for additional details

**SHORT CIRCUIT CURRENT RATING KIT (ASCCR)**

- Provides 200kA of SCCR protection
- Refer to SCCR Accessory table for additional details

**FILTERS**

- Field-supplied filters up to MERV 6 can typically be installed in the filter slot internal to unit  
**NOTE:** Use of paper frame **not** recommended

**CRANKCASE HEATER (ACASE841)**

- Warms compressor crankcase to limit migration of liquid refrigerant back to compressor during off cycle
- Available for models with scroll compressors
- Refer to Crankcase Heater table for additional details

**THERMOSTAT**

- Required for all installations (field-supplied)
- Units are individually controlled with conventional 24V thermostat
- One-stage Cool/Heat required for 0.75 to 2.5 ton
- Two-stage Cool/One-stage Heat required for 3.0 ton

\* Certain exclusions apply. Refer to louver manufacturer's literature and warranty documentation.

**UNIT ELECTRICAL AND PHYSICAL DATA (208/230 Volt - 1 Phase - 60HZ)<sup>1</sup>**

Model	MCA <sup>2</sup>		MOCP <sup>3</sup>		Default SCCR (kA) <sup>4</sup>	Compressor		Outdoor Fan				Indoor Blower			Approx		R454B Charge. (OZ.)	R454B Charge. (LBS.)	R454B Charge. (KG.)
	208V	230V	208V	230V		Rated Load Amps (RLA)	Locked Rotor Amps (LRA)	Dia. (in)	Nominal RPM	Full Load Amps (FLA)	Rated HP	Wheel D x W (in.)	Full Load Amps (FLA)	Rated HP	(LBS)	(KG)			
MGE815-7-11-09NP-01A	6.2	6.2	15	15	5	3.8	21.8	18	1050	0.9	1/8	10 x 6	0.5	1/3	255	116	39.0	2.4	1.1
MGE824-7-11-09NP-01A																			
MGE815-7-11-12NP-01A	8.3	8.3	15	15	5	5.4	26.4	18	1025	0.9	1/8	10 x 6	0.6	1/3	273	124	54.0	3.4	1.5
MGE824-7-11-12NP-01A																			
MGE836-7-11-12NP-01A																			
MGE815-7-11-18NP-01A	10.6	10.6	15	15	5	6.8	32.7	18	1025	0.9	1/8	10 x 6	1.2	1/3	301	137	61.0	3.8	1.7
MGE824-7-11-18NP-01A																			
MGE836-7-11-18NP-01A																			
MGE848-7-11-18NP-01A																			
MGE860-7-11-18NP-01A																			
MGE815-7-11-24NP-01A	15.7	15.7	25	25	5	10.2	41.2	18	1050	0.9	1/8	10 x 6	2.0	1/3	305	138	61.0	3.8	1.7
MGE824-7-11-24NP-01A																			
MGE836-7-11-24NP-01A																			
MGE848-7-11-24NP-01A																			
MGE860-7-11-24NP-01A																			
MGE824-7-11-30NP-01A	22.5	22.5	35	35	5	14.1	75.6	18	1100	2.8	1/3	10 x 6	2.1	1/2	336	153	72.0	4.5	2.0
MGE836-7-11-30NP-01A																			
MGE848-7-11-30NP-01A																			
MGE860-7-11-30NP-01A																			
MGE824-7-13-36NP-01A	25.7	25.7	35	35	5	16.1	90.0	18	1100	2.8	1/3	10 x 7	2.8	1/2	352	160	78.0	4.9	2.2
MGE836-7-13-36NP-01A																			
MGE848-7-13-36NP-01A																			
MGE860-7-13-36NP-01A																			

<sup>1</sup> Acceptable voltage range: 197 - 253V

<sup>2</sup> MCA = Minimum Circuit Ampacity

<sup>3</sup> MOCP = Maximum Over Current Protection

<sup>4</sup> SCCR = Short Circuit Current Rating; refer to SCCR Accessory table, up to 200kA

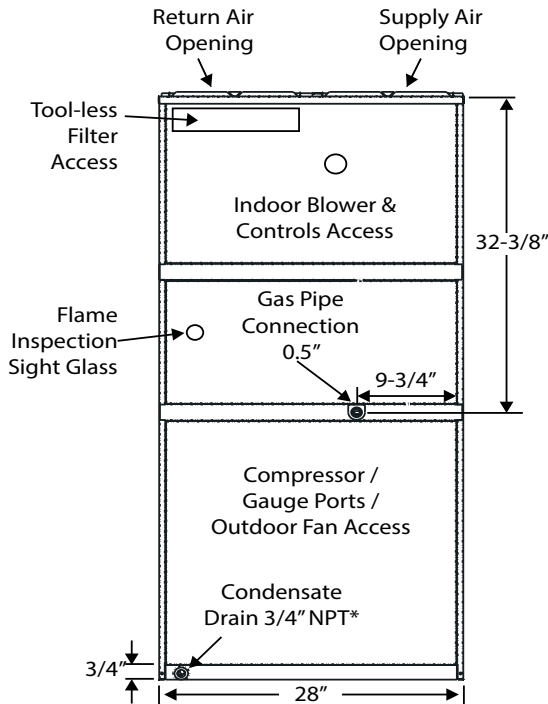
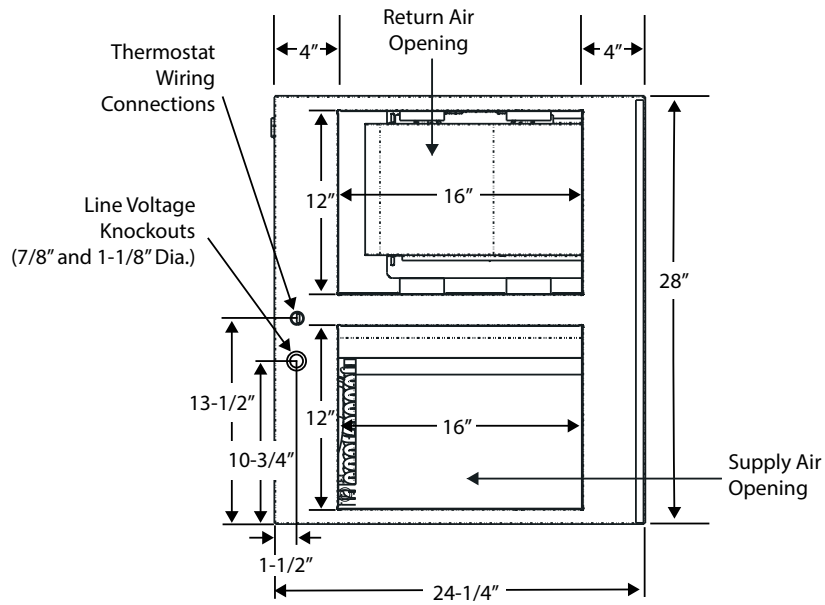
NOTE: Units are rated at 208/230V, but MOCP & MCA values are calculated at 240V

NOTE: The 7.2 and 10 kW heats strips offer a W1 and W2 thermostat connection. Taking advantage of the two heat strip circuits requires a 2-stage thermostat (W1 for electric heat stage 1 and W2 for electric heat stage 2). If a single stage thermostat is used, "pigtail" W1 and W2 wires together when connecting the thermostat wires at the unit.

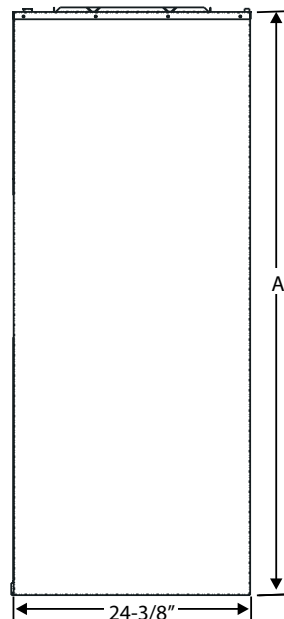
**UNIT DIMENSIONS (IN.)**

Model	A	B	C	D	E
MGE8**-7-11-09*P MGE8**-7-11-12*P	57-7/8	20-3/4	18-5/8	6	24-5/8
MGE8**-7-11-18*P MGE8**-7-11-24*P	59-7/8	22-3/4	20-5/8		26-5/8
MGE8**-7-11-30*P	63-7/8	26-3/4	24-5/8		30-5/8
MGE8**-7-13-36*P	71-7/8	34-3/4	28-5/8	10	38-5/8

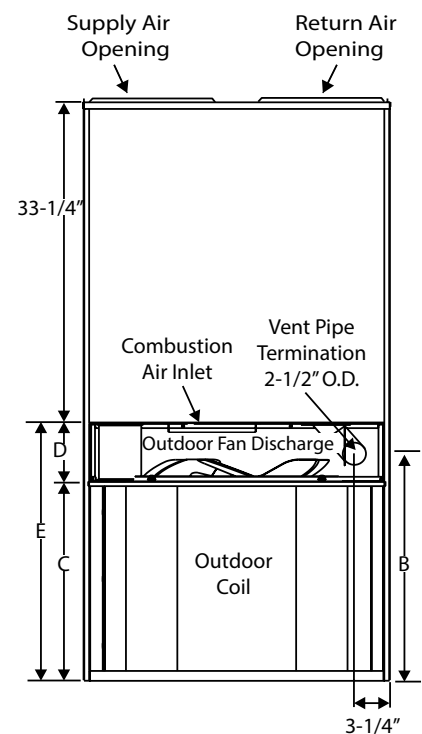
Top View



Front View



Side View



Rear View

\* Provisions must be made to properly drain condensate from the drain pan.

# MINIMUM CLEARANCES

## Accessibility Clearances

The front of the unit must be accessible for service. A minimum clearance of 30" in front of unit is required for service.

If the unit is enclosed, a door or access panel aligned with the front of the unit is the preferred method of providing access. The door or access panel opening must be a minimum of 30" wide (centered on the unit) and be as tall as the unit.

**IMPORTANT**

The unit must be installed with approved wall sleeve and louver accessories for safe operation. Improper installations could result in property damage, personal injury, or death.

## Supply Duct Clearances

Minimum Clearances to Combustible Materials <sup>1</sup>		
Front	Sides	Top
0"	0"	0"

<sup>1</sup> Accessibility clearances take precedence

## Unit Clearances

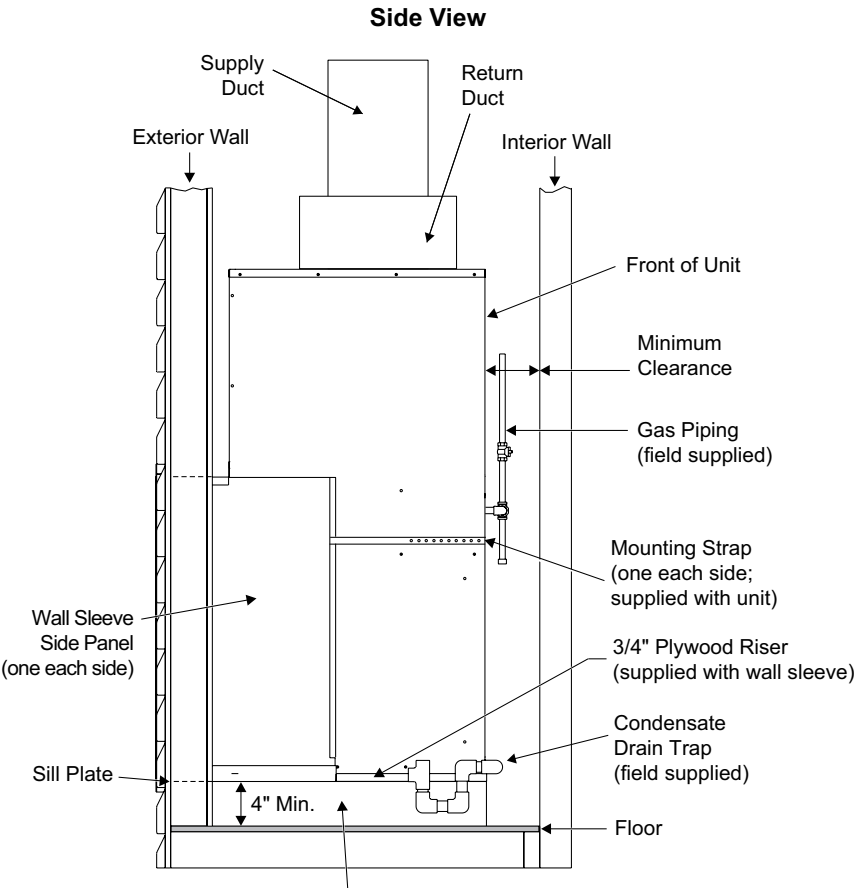
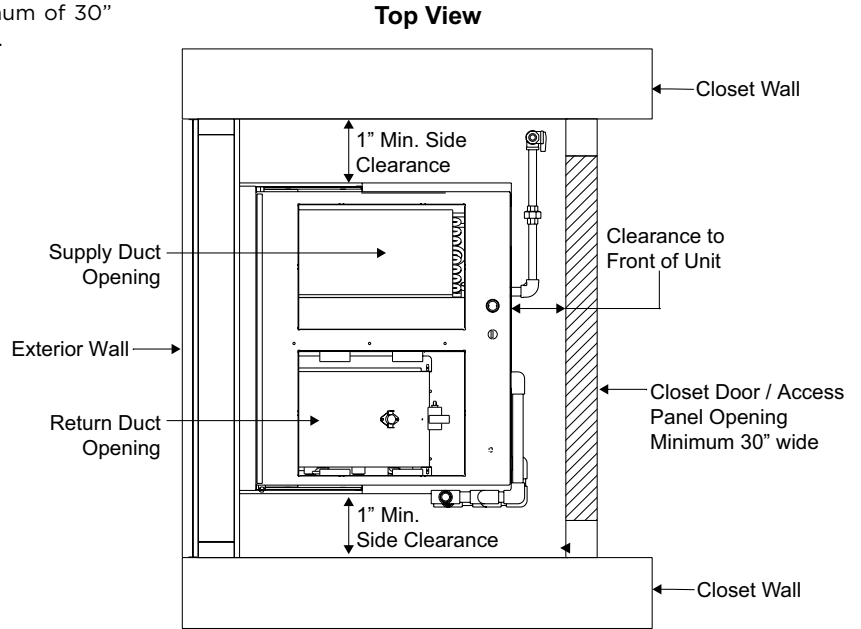
Minimum Clearances <sup>1</sup>	
Front <sup>2</sup>	Sides <sup>3</sup>
1"	1"

<sup>1</sup> Accessibility clearances take precedence

<sup>2</sup> Clearance must accommodate field-installed condensate drain line / drain trap and gas line

<sup>3</sup> Additional clearance required if field-installed condensate drain line / drain trap is routing alongside unit

NOTE: Consult local codes for other clearance requirements



Platform (field supplied) - Unit must be supported by platform, which must be level with sill plate of opening in exterior wall.



## OUTDOOR SOUND RATING & CABINET AIR LEAKAGE

Model	Outdoor Sound Rating (dBa) <sup>1</sup>	Cabinet Air Leakage (%) <sup>2</sup>
MGE8**-7-11-09*P	75	2.0
MGE8**-7-11-12*P	75	2.0
MGE8**-7-11-18*P	75	1.4
MGE8**-7-11-24*P	76	1.4
MGE8**-7-11-30*P	81	1.4
MGE8**-7-13-36*P	75	1.4

<sup>1</sup> Per ANSI / AHRI Standard 270  
<sup>2</sup> Per ASHRAE Standard 193

## REFRIGERANT DETECTION SYSTEM KIT (RDS)

Model	Kit
MGE8*-7-11-09*P	ARDSKTM
MGE8*-7-11-12*P	
MGE8*-7-11-18*P	
MGE8*-7-11-24*P	

## FACTORY FILTER SIZE (IN.) AND PRESSURE DROP (IN. W.C.)

Model	Filter Size	Indoor Airflow (CFM)																	
		200	250	300	350	400	450	500	550	600	650	700	750	800	850	900	950	1000	1050
All	12 x 24 x 1 <sup>1</sup>	0.01	0.02	0.03	0.04	0.04	0.05	0.08	0.09	0.10	0.12	0.14	0.15	0.17	0.18	0.20	0.22	0.24	0.26

<sup>1</sup> Effective filter area 12 x 16.  
 If a higher resistance filter is field installed within the unit, the added resistance must be included as additional system static pressure.

## SCCR ACCESSORY

Model	Kit <sup>1</sup>
MGE8**-7-11-09*P	ASCCR1
MGE8**-7-11-12*P	
MGE8**-7-11-18*P	
MGE8**-7-11-24*P	
MGE8**-7-11-30*P	ASCCR3
MGE8**-7-13-36*P	

<sup>1</sup> Per UL 508A, 200kA RMS Symmetrical

## CRANKCASE HEATER

Model	Kit
MGE8**-7-11-09*P	N/A
MGE8**-7-11-12*P	
MGE8**-7-11-18*P	
MGE8**-7-11-24*P	
MGE8**-7-11-30*P	ACASE841
MGE8**-7-13-36*P	

## LP CONVERSION KIT

Model	Kit
MGE815-7-11-***P	ALPKT613
MGE824-7-11/13-***P	ALPKT614
MGE836-7-11/13-***P	
MGE848-7-11/13-***P	
MGE860-7-11/13-***P	

## HIGH ALTITUDE APPLICATION DATA

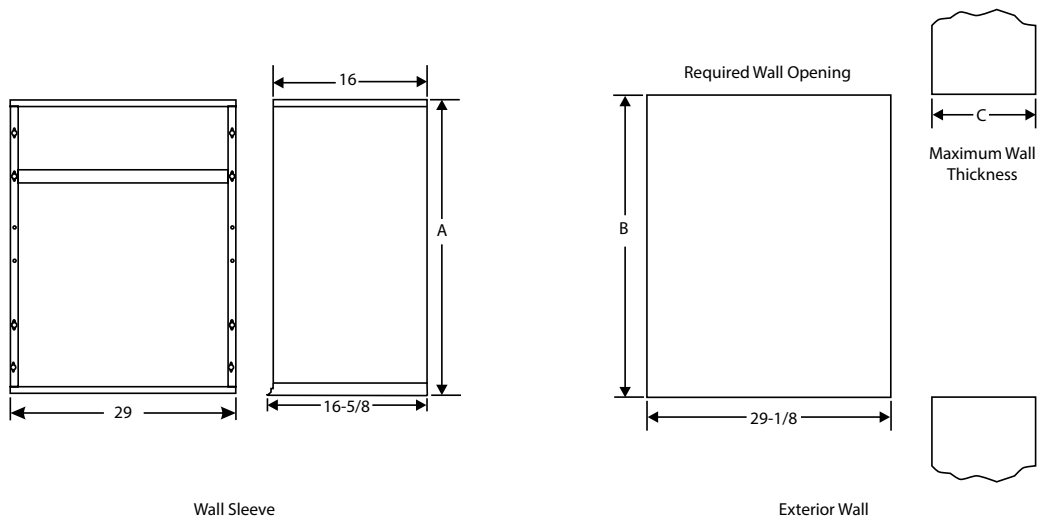
Altitude	Natural Gas		LP Gas	
	Burner Orifices	Manifold Pressure	Burner Orifices LP Kit	Manifold Pressure
0-5,500 ft.	As shipped	3.5" w.c.	ALPKT613 or 614 (model dependent)	10.0" w.c.
5,500 - 8,500 ft.		3.0" w.c.		8.0" w.c.
Above 8,500 ft.	Per National Fuel Gas Code	3.5" w.c.	Per National Fuel Gas Code	10.0" w.c.

### WALL SLEEVES & LOUVERS

Wall Sleeves		Louvers			Model						Dimensions (in.)			
Wall Sleeve	Wall Sleeve Extension	Polypropylene Louvers	Aluminum Louvers	Impact Louvers	MGE8**-7-11-09*P	MGE8**-7-11-12*P	MGE8**-7-11-18*P	MGE8**-7-11-24*P	MGE8**-7-11-30*P	MGE8**-7-13-36*P	Wall Sleeve	Wall Opening		
											Height (A)	Height (B)	Depth (C)	
											Height (A)	Height (B)	Sleeve Only	Sleeve Plus Extension
ASLEEVE6-1	---	ALVRP***MGE-1	ALVRAL-1^	ALVRALC-1^	•	•	•	•			29	29-1/8	6	---
ASLEEVE8-1	---	ALVRP***MGE-1	ALVRAL-1^	ALVRALC-1^	•	•	•	•			29	29-1/8	8	---
ASLEEVE10-1	ASLEEVEEXT4-1	ALVRP***MGE-1	ALVRAL-1^	ALVRALC-1^	•	•	•	•			29	29-1/8	10	14
ASLEEVE12-1	ASLEEVEEXT4-1	ALVRP***MGE-1	ALVRAL-1^	ALVRALC-1^	•	•	•	•			29	29-1/8	12	16
ASLEEVE6-2	---	ALVRP***MGE-2	ALVRAL-2^	ALVRALC-2^					•		32-3/4	32-7/8	6	---
ASLEEVE8-2	---	ALVRP***MGE-2	ALVRAL-2^	ALVRALC-2^					•		32-3/4	32-7/8	8	---
ASLEEVE10-2	ASLEEVEEXT4-2	ALVRP***MGE-2	ALVRAL-2^	ALVRALC-2^					•		32-3/4	32-7/8	10	14
ASLEEVE12-2	ASLEEVEEXT4-2	ALVRP***MGE-2	ALVRAL-2^	ALVRALC-2^					•		32-3/4	32-7/8	12	16
ASLEEVE6-2	---	---	ALVRAL-7^	ALVRALC-7^	o	o	o	o			32-3/4	32-7/8	6	---
ASLEEVE8-2	---	---	ALVRAL-7^	ALVRALC-7^	o	o	o	o			32-3/4	32-7/8	8	---
ASLEEVE10-2	ASLEEVEEXT4-2	---	ALVRAL-7^	ALVRALC-7^	o	o	o	o			32-3/4	32-7/8	10	14
ASLEEVE12-2	ASLEEVEEXT4-2	---	ALVRAL-7^	ALVRALC-7^	o	o	o	o			32-3/4	32-7/8	12	16
ASLEEVE6-5	---	---	ALVRAL-3^	ALVRALC-3^	o	o	o	o			45	45-1/8	6	---
ASLEEVE8-5	---	---	ALVRAL-3^	ALVRALC-3^	o	o	o	o			45	45-1/8	8	---
ASLEEVE10-5	ASLEEVEEXT4-3	---	ALVRAL-3^	ALVRALC-3^	o	o	o	o			45	45-1/8	10	14
ASLEEVE12-5	ASLEEVEEXT4-3	---	ALVRAL-3^	ALVRALC-3^	o	o	o	o			45	45-1/8	12	16
ASLEEVE6-5	---	ALVRP***MGE-3								•	45	45-1/8	6	---
ASLEEVE8-5	---	ALVRP***MGE-3								•	45	45-1/8	8	---
ASLEEVE10-5	ASLEEVEEXT4-3	ALVRP***MGE-3								•	45	45-1/8	10	14
ASLEEVE12-5	ASLEEVEEXT4-3	ALVRP***MGE-3								•	45	45-1/8	12	16
ASLEEVE6-5	---	---	ALVRAL-4^	ALVRALC-4^					o	•	45	45-1/8	6	---
ASLEEVE8-5	---	---	ALVRAL-4^	ALVRALC-4^					o	•	45	45-1/8	8	---
ASLEEVE10-5	ASLEEVEEXT4-3	---	ALVRAL-4^	ALVRALC-4^					o	•	45	45-1/8	10	14
ASLEEVE12-5	ASLEEVEEXT4-3	---	ALVRAL-4^	ALVRALC-4^					o	•	45	45-1/8	12	16

\*\*\* Louver colors: WHT = white, SAN = sandstone, BGE = beige, TPST = taupestone  
 ^-P: Option to paint standard, aluminum, and impact-resistant louver  
 o: Optional: Wall sleeves and louvers can be oversized to maintain a uniform appearance  
 NOTE: ALVRP\*\*MGE louvers may not be oversized due to vent pipe and metal grate insert location

### WALL SLEEVE & WALL OPENING DIMENSIONS (IN.)



## RATED COOLING & HEATING PERFORMANCE

Tonnage	Model	Cooling			Gas Heating			
		Net Capacity (Btu/hr)	Efficiency	S/T <sup>^</sup>	Input (Btu/hr)	Output (Btu/hr)	Rise Range (F°)	Efficiency AFUE (%)
			SEER2/EER2					
0.75	MGE815-7-11-09*	8,600	11.7/9.1	0.79	15,000	12,000	15 - 45	80
	MGE824-7-11-09*				24,000	19,200	25 - 55	
1.0	MGE815-7-11-12*	12,000	11.7/10.5	0.75	15000	12000	15 - 45	80
	MGE824-7-11-12*				24000	19200	25 - 55	
	MGE836-7-11-12*				36000	28800	30 - 60	
1.5	MGE815-7-11-18*	16,900	11.7/10.0	0.79	15000	12000	15 - 45	80
	MGE824-7-11-18*				24000	19200	25 - 55	
	MGE836-7-11-18*				36000	28800	30 - 60	
	MGE848-7-11-18*				48000	38400	35 - 65	
	MGE860-7-11-18*				60000	48000	40 - 70	
2.0	MGE815-7-11-24*	21,800	11.7/10.0	0.79	15000	12000	15 - 45	80
	MGE824-7-11-24*				24000	19200	25 - 55	
	MGE836-7-11-24*				36,000	28,800	30 - 60	
	MGE848-7-11-24*				48,000	38,400	35 - 65	
	MGE860-7-11-24*				60,000	48,000	40 - 70	
2.5	MGE824-7-11-30*	27,600	11.7/10.0	0.75	24000	19200	25 - 55	80
	MGE836-7-11-30*				36000	28800	30 - 60	
	MGE848-7-11-30*				48000	38400	35 - 65	
	MGE860-7-11-30*				60000	48000	40 - 70	
3.0	MGE824-7-13-36*	31,800	13.4/10.6	0.68	24000	19200	25 - 55	80
	MGE836-7-13-36*				36000	28800	30 - 60	
	MGE848-7-13-36*				48000	38400	35 - 65	
	MGE860-7-13-36*				60000	48000	40 - 70	

<sup>^</sup> Not a rated value

S/T = ratio of sensible to total cooling load

For most up to date ratings and values, please view AHRI listing

### EXTENDED COOLING PERFORMANCE DATA

Tonnage	Model	Indoor Temp DB/WB (°F)	Outdoor Temperature - DB (°F)														
			65			85			95			105			115		
			Net Capacity (Btu/hr)	S/T	System Power Input (kW)	Net Capacity (Btu/hr)	S/T	System Power Input (kW)	Net Capacity (Btu/hr)	S/T	System Power Input (kW)	Net Capacity (Btu/hr)	S/T	System Power Input (kW)	Net Capacity (Btu/hr)	S/T	System Power Input (kW)
0.75	MGE8**-7-11-09*P	85/72	10790	0.61	0.72	10580	0.67	0.83	10430	0.69	0.91	10180	0.73	0.98	9530	0.77	1.07
		80/67	10230	0.68	0.72	10030	0.75	0.83	9760	0.78	0.90	9190	0.82	0.98	8460	0.85	1.06
		75/63	9680	0.72	0.72	9490	0.79	0.83	9180	0.82	0.90	8310	0.85	0.97	7500	0.90	1.05
		75/57	9530	1.00	0.72	9350	1.00	0.83	8600	1.00	0.90	8220	1.00	0.97	7220	1.00	1.05
1.0	MGE8**-7-11-12*P	85/72	14410	0.60	0.92	14370	0.63	1.07	14070	0.66	1.17	13650	0.69	1.29	12700	0.73	1.41
		80/67	13870	0.67	0.91	13600	0.71	1.07	13070	0.74	1.17	12430	0.78	1.28	11420	0.82	1.40
		75/63	13200	0.70	0.91	12940	0.75	1.07	12350	0.78	1.17	11490	0.81	1.28	10320	0.86	1.39
		75/57	12460	1.00	0.91	12220	1.00	1.08	11580	1.00	1.17	11120	1.00	1.27	9720	1.00	1.39
1.5	MGE8**-7-11-18*P	85/72	18750	0.60	1.18	18550	0.65	1.41	18790	0.68	1.54	17890	0.71	1.70	16980	0.75	1.86
		80/67	17950	0.67	1.18	17810	0.74	1.41	17780	0.76	1.55	16730	0.81	1.70	15220	0.85	1.86
		75/63	17290	0.71	1.18	16990	0.78	1.41	16500	0.81	1.54	15260	0.84	1.69	13870	0.88	1.85
		75/57	16510	1.00	1.17	16180	1.00	1.41	15640	1.00	1.53	14360	1.00	1.68	13430	1.00	1.84
2.0	MGE8**-7-11-24*P	85/72	25380	0.61	1.56	25340	0.67	1.91	23830	0.69	2.10	22700	0.73	2.32	20680	0.77	2.54
		80/67	24390	0.69	1.56	23680	0.75	1.90	22220	0.78	2.09	20660	0.84	2.30	18770	0.88	2.52
		75/63	23420	0.72	1.56	22290	0.80	1.90	20670	0.82	2.08	19180	0.86	2.29	17230	0.91	2.50
		75/57	22640	1.00	1.56	21470	1.00	1.90	19380	1.00	2.08	18410	1.00	2.28	16520	1.00	2.50
2.5	MGE8**-7-11-30*P	85/72	31500	0.65	2.03	30160	0.66	2.42	29590	0.67	2.66	28530	0.69	2.92	26520	0.70	3.23
		80/67	29540	0.70	2.00	28960	0.72	2.41	28100	0.74	2.63	26950	0.77	2.91	24040	0.78	3.21
		75/63	28320	0.72	2.00	27690	0.76	2.40	26630	0.78	2.63	25140	0.81	2.90	22580	0.83	3.19
		75/57	27190	1.00	2.00	26650	1.00	2.39	24850	1.00	2.63	24230	1.00	2.89	22360	1.00	3.17
3.0	MGE8**-7-13-36*P	85/72	40410	0.58	2.32	37010	0.61	2.74	35140	0.62	3.00	33080	0.63	3.31	31220	0.65	3.65
		80/67	37480	0.66	2.29	33950	0.67	2.71	32170	0.69	2.98	30100	0.69	3.27	28730	0.70	3.62
		75/63	34560	0.67	2.26	31590	0.70	2.69	30110	0.71	2.95	27820	0.71	3.24	26560	0.73	3.58
		75/57	28390	1.00	2.24	26340	1.00	2.65	25460	1.00	2.92	24380	1.00	3.21	23730	1.00	3.55

NOTE: Values based on 0.3" w.c. external static pressure except for MGE8\*\*-7-13-36\*P, which is based on 0.5" w.c. external static pressure

## BLOWER PERFORMANCE

- Performance based on factory-provided washable filter installed in the unit.
- If a higher resistance filter is field installed in the unit, the added resistance must be included in the external static pressure and must not exceed 0.5 in. w.c. including ductwork
- Refer to Factory Filter Size and Pressure Drop table for additional details

SUPPLY AIRFLOW PERFORMANCE AS A FUNCTION OF EXTERNAL STATIC PRESSURE																										
Tonnage	Model	Gas Heating		Indoor Blower Speed	0.1" w.c.				0.2" w.c.				0.3" w.c.				0.4" w.c.				0.5" w.c.					
		Rise Range (F°)	Mid Rise (F°)		SCFM	Watts	HP	Temp Rise	SCFM	Watts	HP	Temp Rise	SCFM	Watts	HP	Temp Rise	SCFM	Watts	HP	Temp Rise	SCFM	Watts	HP	Temp Rise		
0.75	MGE815-7-11-09*P	15 - 45	30	TAP 1 (COOL) <sup>#</sup>	430	46	0.06	---	370	50	0.07	---	320	53	0.07	---	265	57	0.08	---	200	62	0.08	---		
				TAP 2 (COOL)	375	39	0.05	---	315	42	0.06	---	N/A	N/A	N/A	---	N/A	N/A	N/A	---	N/A	N/A	N/A	---		
				TAP 3 (COOL) <sup>†</sup>	N/A	N/A	N/A	---	N/A	N/A	N/A	---	350	48	0.06	---	300	51	0.07	---	255	54	0.07	---		
				TAP 4 (HEAT) <sup>*</sup>	365	35	0.05	31	300	39	0.05	37	240	42	0.06	47	N/A	N/A	N/A	N/A	N/A	N/A	N/A	N/A	N/A	N/A
				TAP 5 (HEAT)	N/A	N/A	N/A	N/A	N/A	N/A	N/A	N/A	460	83	0.11	24	415	88	0.12	27	370	98	0.13	30		
	MGE824-7-11-09*P	25 - 55	40	TAP 1 (COOL) <sup>#</sup>	430	46	0.06	---	370	50	0.07	---	320	53	0.07	---	265	57	0.08	---	200	62	0.08	---		
				TAP 2 (COOL)	375	39	0.05	---	315	42	0.06	---	N/A	N/A	N/A	---	N/A	N/A	N/A	---	N/A	N/A	N/A	---		
				TAP 3 (COOL) <sup>†</sup>	N/A	N/A	N/A	---	N/A	N/A	N/A	---	350	48	0.06	---	300	51	0.07	---	255	54	0.07	---		
				TAP 4 (HEAT) <sup>*</sup>	445	48	0.06	40	390	53	0.07	46	340	56	0.08	53	N/A	N/A	N/A	N/A	N/A	N/A	N/A	N/A	N/A	
				TAP 5 (HEAT)	N/A	N/A	N/A	N/A	N/A	N/A	N/A	N/A	530	102	0.14	34	480	108	0.14	37	440	114	0.15	41		

1.0	MGE815-7-11-12*P	15 - 45	30	TAP 1 (COOL) <sup>#</sup>	415	39	0.05	---	350	43	0.06	---	285	47	0.06	---	240	51	0.07	---	165	54	0.07	---	
				TAP 2 (COOL)	425	46	0.06	---	370	49	0.07	---	315	53	0.07	---	N/A	N/A	N/A	---	N/A	N/A	N/A	---	
				TAP 3 (COOL) <sup>†</sup>	N/A	N/A	N/A	---	N/A	N/A	N/A	---	420	84	0.11	---	380	88	0.12	---	335	91	0.12	---	
				TAP 4 (HEAT) <sup>*</sup>	370	36	0.05	30	315	39	0.05	35	260	42	0.06	43	N/A	N/A	N/A	N/A	N/A	N/A	N/A	N/A	N/A
				TAP 5 (HEAT)	N/A	N/A	N/A	N/A	N/A	N/A	N/A	N/A	470	80	0.11	24	415	85	0.11	27	370	89	0.12	30	
	MGE824-7-11-12*P	25 - 55	40	TAP 1 (COOL) <sup>#</sup>	415	39	0.05	---	350	43	0.06	---	285	47	0.06	---	240	51	0.07	---	165	54	0.07	---	
				TAP 2 (COOL)	425	46	0.06	---	370	49	0.07	---	315	53	0.07	---	N/A	N/A	N/A	---	N/A	N/A	N/A	---	
				TAP 3 (COOL) <sup>†</sup>	N/A	N/A	N/A	---	N/A	N/A	N/A	---	420	84	0.11	---	380	88	0.12	---	335	91	0.12	---	
				TAP 4 (HEAT) <sup>*</sup>	450	50	0.07	40	405	53	0.07	44	355	57	0.08	50	N/A	N/A	N/A	N/A	N/A	N/A	N/A	N/A	
				TAP 5 (HEAT)	N/A	N/A	N/A	N/A	N/A	N/A	N/A	N/A	525	101	0.14	34	485	105	0.14	37	450	110	0.15	40	
	MGE836-7-11-12*P	30 - 60	45	TAP 1 (COOL) <sup>#</sup>	415	39	0.05	---	350	43	0.06	---	285	47	0.06	---	240	51	0.07	---	165	54	0.07	---	
				TAP 2 (COOL)	425	46	0.06	---	370	49	0.07	---	315	53	0.07	---	N/A	N/A	N/A	---	N/A	N/A	N/A	---	
				TAP 3 (COOL) <sup>†</sup>	N/A	N/A	N/A	---	N/A	N/A	N/A	---	420	84	0.11	---	380	88	0.12	---	335	91	0.12	---	
				TAP 4 (HEAT) <sup>*</sup>	590	87	0.12	45	555	91	0.12	48	515	96	0.13	52	475	100	0.13	56	N/A	N/A	N/A	N/A	
				TAP 5 (HEAT)	N/A	N/A	N/A	N/A	680	138	0.19	39	650	143	0.19	41	615	148	0.20	44	585	153	0.21	46	

N/A: Do not operate unit using this blower speed at this external static pressure.

† As shipped speed for Cooling operation. Blower speed must be field adjusted to speed Tap 2 for lower duct static applications.

\* As shipped speed for Heating operation. Blower speed must be field adjusted to speed Tap 5 for higher duct static applications.

# As shipped speed for Low Stage Cooling operation (low duct static).

SCFM = standard cubic feet per minute

### BLOWER PERFORMANCE CONTINUED

- Performance based on factory-provided washable filter installed in the unit.
- If a higher resistance filter is field installed in the unit, the added resistance must be included in the external static pressure and must not exceed 0.5 in. w.c. including ductwork
- Refer to Factory Filter Size and Pressure Drop table for additional details

SUPPLY AIRFLOW PERFORMANCE AS A FUNCTION OF EXTERNAL STATIC PRESSURE																										
Tonnage	Model	Gas Heating		Indoor Blower Speed	0.1" w.c.				0.2" w.c.				0.3" w.c.				0.4" w.c.				0.5" w.c.					
		Rise Range (F°)	Mid Rise (F°)		SCFM	Watts	HP	Temp Rise	SCFM	Watts	HP	Temp Rise	SCFM	Watts	HP	Temp Rise	SCFM	Watts	HP	Temp Rise	SCFM	Watts	HP	Temp Rise		
1.5	MGE815-7-11-18-P	15-45	30	TAP 1 (COOL) <sup>†</sup>	470	54	0.07	---	400	59	0.08	---	345	63	0.08	---	290	67	0.09	---	235	70	0.09	---		
				TAP 2 (COOL)	670	118	0.16	---	625	123	0.16	---	565	131	0.18	---	525	136	0.18	---	N/A	N/A	N/A	N/A		
				TAP 3 (COOL) <sup>†</sup>	N/A	N/A	N/A	---	690	189	0.25	---	650	193	0.26	---	620	197	0.26	---	590	201	0.27	---		
				TAP 4 (HEAT) <sup>*</sup>	370	39	0.05	30	305	43	0.06	37	250	46	0.06	45	N/A	N/A	N/A	N/A	N/A	N/A	N/A	N/A	N/A	N/A
				TAP 5 (HEAT)	N/A	N/A	N/A	N/A	N/A	N/A	N/A	N/A	460	92	0.12	24	415	96	0.13	27	370	101	0.14	30		
	MGE824-7-11-18-P	25-55	40	TAP 1 (COOL) <sup>†</sup>	470	54	0.07	---	400	59	0.08	---	345	63	0.08	---	290	67	0.09	---	235	70	0.09	---		
				TAP 2 (COOL)	670	118	0.16	---	625	123	0.16	---	565	131	0.18	---	525	136	0.18	---	N/A	N/A	N/A	N/A		
				TAP 3 (COOL) <sup>†</sup>	N/A	N/A	N/A	---	690	189	0.25	---	650	193	0.26	---	620	197	0.26	---	590	201	0.27	---		
				TAP 4 (HEAT) <sup>*</sup>	450	52	0.07	40	385	57	0.08	46	330	61	0.08	54	N/A	N/A	N/A	N/A	N/A	N/A	N/A	N/A		
				TAP 5 (HEAT)	N/A	N/A	N/A	N/A	N/A	N/A	N/A	N/A	540	116	0.16	33	490	121	0.16	37	450	127	0.17	40		
	MGE836-7-11-18-P	30-60	45	TAP 1 (COOL) <sup>†</sup>	470	54	0.07	---	400	59	0.08	---	345	63	0.08	---	290	67	0.09	---	235	70	0.09	---		
				TAP 2 (COOL)	670	118	0.16	---	625	123	0.16	---	565	131	0.18	---	525	136	0.18	---	N/A	N/A	N/A	N/A		
				TAP 3 (COOL) <sup>†</sup>	N/A	N/A	N/A	---	690	189	0.25	---	650	193	0.26	---	620	197	0.26	---	590	201	0.27	---		
				TAP 4 (HEAT) <sup>*</sup>	590	86	0.12	45	555	90	0.12	48	515	95	0.13	52	475	99	0.13	56	N/A	N/A	N/A	N/A		
				TAP 5 (HEAT)	715	129	0.17	38	680	135	0.18	39	650	140	0.19	41	615	146	0.20	44	585	151	0.20	46		
	MGE848-7-11-18-P	35-65	50	TAP 1 (COOL) <sup>†</sup>	470	54	0.07	---	400	59	0.08	---	345	63	0.08	---	290	67	0.09	---	235	70	0.09	---		
				TAP 2 (COOL)	670	118	0.16	---	625	123	0.16	---	565	131	0.18	---	525	136	0.18	---	N/A	N/A	N/A	N/A		
				TAP 3 (COOL) <sup>†</sup>	N/A	N/A	N/A	---	690	189	0.25	---	650	193	0.26	---	620	197	0.26	---	590	201	0.27	---		
				TAP 4 (HEAT) <sup>*</sup>	695	141	0.19	51	655	147	0.20	54	620	153	0.21	58	580	161	0.22	62	N/A	N/A	N/A	N/A		
				TAP 5 (HEAT)	830	214	0.29	43	795	221	0.30	45	760	228	0.31	47	730	236	0.32	49	690	242	0.32	52		
MGE860-7-11-18-P	40-70	55	TAP 1 (COOL) <sup>†</sup>	470	54	0.07	---	400	59	0.08	---	345	63	0.08	---	290	67	0.09	---	235	70	0.09	---			
			TAP 2 (COOL)	670	118	0.16	---	625	123	0.16	---	565	131	0.18	---	525	136	0.18	---	N/A	N/A	N/A	N/A			
			TAP 3 (COOL) <sup>†</sup>	N/A	N/A	N/A	---	690	189	0.25	---	650	193	0.26	---	620	197	0.26	---	590	201	0.27	---			
			TAP 4 (HEAT) <sup>*</sup>	800	182	0.24	56	770	187	0.25	58	740	191	0.26	60	710	198	0.27	63	675	204	0.27	66			
			TAP 5 (HEAT)	N/A	N/A	N/A	N/A	N/A	N/A	N/A	N/A	850	263	0.35	53	825	270	0.36	54	805	276	0.37	56			

N/A: Do not operate unit using this blower speed at this external static pressure.  
 † As shipped speed for Cooling operation. Blower speed must be field adjusted to speed Tap 2 for lower duct static applications.  
 \* As shipped speed for Heating operation. Blower speed must be field adjusted to speed Tap 5 for higher duct static applications.  
 ‡ As shipped speed for Low Stage Cooling operation (low duct static).

SCFM = standard cubic feet per minute

## BLOWER PERFORMANCE CONTINUED

- Performance based on factory-provided washable filter installed in the unit.
- If a higher resistance filter is field installed in the unit, the added resistance must be included in the external static pressure and must not exceed 0.5 in. w.c. including ductwork
- Refer to Factory Filter Size and Pressure Drop table for additional details

		SUPPLY AIRFLOW PERFORMANCE AS A FUNCTION OF EXTERNAL STATIC PRESSURE																								
Tonnage	Model	Gas Heating		Indoor Blower Speed	0.1" w.c.				0.2" w.c.				0.3" w.c.				0.4" w.c.				0.5" w.c.					
		Rise Range (F°)	Mid Rise (F°)		SCFM	Watts	HP	Temp Rise	SCFM	Watts	HP	Temp Rise	SCFM	Watts	HP	Temp Rise	SCFM	Watts	HP	Temp Rise	SCFM	Watts	HP	Temp Rise		
2.0	MGE815-7-11-24*P	15-45	30	TAP 1 (COOL) <sup>#</sup>	450	49	0.07	---	400	52	0.07	---	345	56	0.08	---	285	59	0.08	---	235	65	0.09	---		
				TAP 2 (COOL)	815	206	0.28	---	780	210	0.28	---	750	215	0.29	---	720	219	0.29	---	690	224	0.30	---		
				TAP 3 (COOL) <sup>†</sup>	N/A	N/A	N/A	---	N/A	N/A	N/A	---	785	275	0.37	---	755	279	0.37	---	725	280	0.38	---		
				TAP 4 (HEAT) <sup>*</sup>	370	36	0.05	30	320	38	0.05	35	250	42	0.06	45	N/A	N/A	N/A	N/A	N/A	N/A	N/A	N/A	N/A	N/A
				TAP 5 (HEAT)	N/A	N/A	N/A	N/A	N/A	N/A	N/A	N/A	465	82	0.11	24	420	85	0.11	26	370	90	0.12	30		
	MGE824-7-11-24*P	25-55	40	TAP 1 (COOL) <sup>#</sup>	450	49	0.07	---	400	52	0.07	---	345	56	0.08	---	285	59	0.08	---	235	65	0.09	---		
				TAP 2 (COOL)	815	206	0.28	---	780	210	0.28	---	750	215	0.29	---	720	219	0.29	---	690	224	0.30	---		
				TAP 3 (COOL) <sup>†</sup>	N/A	N/A	N/A	---	N/A	N/A	N/A	---	785	275	0.37	---	755	279	0.37	---	725	280	0.38	---		
				TAP 4 (HEAT) <sup>*</sup>	450	49	0.07	40	400	52	0.07	45	345	56	0.08	52	N/A	N/A	N/A	N/A	N/A	N/A	N/A	N/A	N/A	
				TAP 5 (HEAT)	N/A	N/A	N/A	N/A	N/A	N/A	N/A	N/A	530	99	0.13	34	490	103	0.14	37	450	107	0.14	40		
	MGE836-7-11-24*P	30-60	45	TAP 1 (COOL) <sup>#</sup>	450	49	0.07	---	400	52	0.07	---	345	56	0.08	---	285	59	0.08	---	235	65	0.09	---		
				TAP 2 (COOL)	815	206	0.28	---	780	210	0.28	---	750	215	0.29	---	720	219	0.29	---	690	224	0.30	---		
				TAP 3 (COOL) <sup>†</sup>	N/A	N/A	N/A	---	N/A	N/A	N/A	---	785	275	0.37	---	755	279	0.37	---	725	280	0.38	---		
				TAP 4 (HEAT) <sup>*</sup>	600	89	0.12	45	560	93	0.12	48	520	96	0.13	52	485	100	0.13	56	N/A	N/A	N/A	N/A		
				TAP 5 (HEAT)	N/A	N/A	N/A	N/A	700	148	0.20	38	665	153	0.21	40	635	157	0.21	42	600	162	0.22	45		
	MGE848-7-11-24*P	35-65	50	TAP 1 (COOL) <sup>#</sup>	450	49	0.07	---	400	52	0.07	---	345	56	0.08	---	285	59	0.08	---	235	65	0.09	---		
				TAP 2 (COOL)	815	206	0.28	---	780	210	0.28	---	750	215	0.29	---	720	219	0.29	---	690	224	0.30	---		
				TAP 3 (COOL) <sup>†</sup>	N/A	N/A	N/A	---	N/A	N/A	N/A	---	785	275	0.37	---	755	279	0.37	---	725	280	0.38	---		
				TAP 4 (HEAT) <sup>*</sup>	720	145	0.19	50	675	151	0.20	53	635	157	0.21	56	595	164	0.22	60	N/A	N/A	N/A	N/A		
				TAP 5 (HEAT)	N/A	N/A	N/A	N/A	820	223	0.30	44	780	232	0.31	46	745	238	0.32	48	710	246	0.33	50		
MGE860-7-11-24*P	40-70	55	TAP 1 (COOL) <sup>#</sup>	450	49	0.07	---	400	52	0.07	---	345	56	0.08	---	285	59	0.08	---	235	65	0.09	---			
			TAP 2 (COOL)	815	206	0.28	---	780	210	0.28	---	750	215	0.29	---	720	219	0.29	---	690	224	0.30	---			
			TAP 3 (COOL) <sup>†</sup>	N/A	N/A	N/A	---	N/A	N/A	N/A	---	785	275	0.37	---	755	279	0.37	---	725	280	0.38	---			
			TAP 4 (HEAT) <sup>*</sup>	810	182	0.24	55	775	186	0.25	58	745	191	0.26	60	710	195	0.26	63	680	200	0.27	66			
			TAP 5 (HEAT)	N/A	N/A	N/A	N/A	N/A	N/A	N/A	N/A	860	258	0.35	52	830	265	0.36	54	800	270	0.36	56			

N/A: Do not operate unit using this blower speed at this external static pressure.  
<sup>#</sup> As shipped speed for Cooling operation. Blower speed must be field adjusted to speed Tap 2 for lower duct static applications.  
<sup>\*</sup> As shipped speed for Heating operation. Blower speed must be field adjusted to speed Tap 5 for higher duct static applications.  
<sup>†</sup> As shipped speed for Low Stage Cooling operation (low duct static).

SCFM = standard cubic feet per minute

## BLOWER PERFORMANCE CONTINUED

- Performance based on factory-provided washable filter installed in the unit.
- If a higher resistance filter is field installed in the unit, the added resistance must be included in the external static pressure and must not exceed 0.5 in. w.c. including ductwork
- Refer to Factory Filter Size and Pressure Drop table for additional details

SUPPLY AIRFLOW PERFORMANCE AS A FUNCTION OF EXTERNAL STATIC PRESSURE																										
Tonnage	Model	Gas Heating		Indoor Blower Speed	0.1" w.c.				0.2" w.c.				0.3" w.c.				0.4" w.c.				0.5" w.c.					
		Rise Range (F°)	Mid Rise (F°)		SCFM	Watts	HP	Temp Rise	SCFM	Watts	HP	Temp Rise	SCFM	Watts	HP	Temp Rise	SCFM	Watts	HP	Temp Rise	SCFM	Watts	HP	Temp Rise		
2.5	MGE824-7-11-30-P	25-55	40	TAP 1 (COOL) <sup>‡</sup>	490	55	0.07	---	465	65	0.09	---	435	72	0.10	---	415	81	0.11	---	390	89	0.12	---		
				TAP 2 (COOL)	930	239	0.32	---	900	243	0.33	---	885	250	0.34	---	835	256	0.34	---	805	262	0.35	---		
				TAP 3 (COOL) <sup>†</sup>	N/A	N/A	N/A	---	N/A	N/A	N/A	---	900	321	0.43	---	875	326	0.44	---	850	331	0.44	---		
				TAP 4 (HEAT) <sup>*</sup>	450	47	0.06	40	400	49	0.07	45	350	53	0.07	51	N/A	N/A	N/A	N/A	N/A	N/A	N/A	N/A	N/A	N/A
				TAP 5 (HEAT)	N/A	N/A	N/A	N/A	N/A	N/A	N/A	N/A	530	93	0.12	34	490	98	0.13	37	450	103	0.14	40		
	MGE836-7-11-30-P	30-60	45	TAP 1 (COOL) <sup>‡</sup>	490	55	0.07	---	465	65	0.09	---	435	72	0.10	---	415	81	0.11	---	390	89	0.12	---		
				TAP 2 (COOL)	930	239	0.32	---	900	243	0.33	---	885	250	0.34	---	835	256	0.34	---	805	262	0.35	---		
				TAP 3 (COOL) <sup>†</sup>	N/A	N/A	N/A	---	N/A	N/A	N/A	---	900	321	0.43	---	875	326	0.44	---	850	331	0.44	---		
				TAP 4 (HEAT) <sup>*</sup>	600	80	0.11	45	560	84	0.11	48	515	89	0.12	52	475	93	0.12	56	N/A	N/A	N/A	N/A		
				TAP 5 (HEAT)	N/A	N/A	N/A	N/A	705	136	0.18	38	670	141	0.19	40	635	146	0.20	42	600	151	0.20	45		
	MGE848-7-11-30-P	35-65	50	TAP 1 (COOL) <sup>‡</sup>	490	55	0.07	---	465	65	0.09	---	435	72	0.10	---	415	81	0.11	---	390	89	0.12	---		
				TAP 2 (COOL)	930	239	0.32	---	900	243	0.33	---	885	250	0.34	---	835	256	0.34	---	805	262	0.35	---		
				TAP 3 (COOL) <sup>†</sup>	N/A	N/A	N/A	---	N/A	N/A	N/A	---	900	321	0.43	---	875	326	0.44	---	850	331	0.44	---		
				TAP 4 (HEAT) <sup>*</sup>	715	140	0.19	50	670	146	0.20	53	630	152	0.20	57	590	159	0.21	61	N/A	N/A	N/A	N/A		
				TAP 5 (HEAT)	N/A	N/A	N/A	N/A	815	218	0.30	44	775	227	0.30	46	740	233	0.31	48	705	241	0.32	51		
	MGE860-7-11-30-P	40-70	55	TAP 1 (COOL) <sup>‡</sup>	490	55	0.07	---	465	65	0.09	---	435	72	0.10	---	415	81	0.11	---	390	89	0.12	---		
				TAP 2 (COOL)	930	239	0.32	---	900	243	0.33	---	885	250	0.34	---	835	256	0.34	---	805	262	0.35	---		
				TAP 3 (COOL) <sup>†</sup>	N/A	N/A	N/A	---	N/A	N/A	N/A	---	900	321	0.43	---	875	326	0.44	---	850	331	0.44	---		
				TAP 4 (HEAT) <sup>*</sup>	810	163	0.22	55	775	169	0.23	58	740	173	0.23	60	710	179	0.24	63	680	185	0.25	66		
				TAP 5 (HEAT)	935	233	0.31	48	900	240	0.32	50	870	245	0.33	52	835	254	0.34	53	810	257	0.34	55		

N/A: Do not operate unit using this blower speed at this external static pressure.

‡ As shipped speed for Cooling operation. Blower speed must be field adjusted to speed Tap 2 for lower duct static applications.

\* As shipped speed for Heating operation. Blower speed must be field adjusted to speed Tap 5 for higher duct static applications.

† As shipped speed for Low Stage Cooling operation (low duct static).

SCFM = standard cubic feet per minute



## BLOWER PERFORMANCE CONTINUED

- Performance based on factory-provided washable filter installed in the unit.
- If a higher resistance filter is field installed in the unit, the added resistance must be included in the external static pressure and must not exceed 0.5 in. w.c. including ductwork
- Refer to Factory Filter Size and Pressure Drop table for additional details

SUPPLY AIRFLOW PERFORMANCE AS A FUNCTION OF EXTERNAL STATIC PRESSURE																										
Tonnage	Model	Gas Heating		Indoor Blower Speed	0.1" w.c.				0.2" w.c.				0.3" w.c.				0.4" w.c.				0.5" w.c.					
		Rise Range (F°)	Mid Rise (F°)		SCFM	Watts	HP	Temp Rise	SCFM	Watts	HP	Temp Rise	SCFM	Watts	HP	Temp Rise	SCFM	Watts	HP	Temp Rise	SCFM	Watts	HP	Temp Rise		
3.0	MGE824-7-13-36*P	25-55	40	TAP 1 (COOL) <sup>‡</sup>	704	126	0.17	---	664	131	0.18	---	626	136	0.18	---	592	141	0.19	---	553	147	0.20	---		
				TAP 2 (COOL)	1020	307	0.41	---	980	313	0.42	---	900	314	0.42	---	850	300	0.40	---	800	290	0.39	---		
				TAP 3 (COOL) <sup>†</sup>	N/A	N/A	N/A	---	N/A	N/A	N/A	---	920	325	0.44	---	870	310	0.42	---	820	296	0.40	---		
				TAP 4 (HEAT) <sup>*</sup>	450	48	0.06	40	385	52	0.07	46	325	55	0.07	55	N/A	N/A	N/A	N/A	N/A	N/A	N/A	N/A	N/A	N/A
				TAP 5 (HEAT)	N/A	N/A	N/A	N/A	N/A	N/A	N/A	N/A	550	107	0.14	33	500	112	0.15	36	450	117	0.16	40		
	MGE836-7-13-36*P	30-60	45	TAP 1 (COOL) <sup>‡</sup>	704	126	0.17	---	664	131	0.18	---	626	136	0.18	---	592	141	0.19	---	553	147	0.20	---		
				TAP 2 (COOL)	1020	307	0.41	---	980	313	0.42	---	900	314	0.42	---	850	300	0.40	---	800	290	0.39	---		
				TAP 3 (COOL) <sup>†</sup>	N/A	N/A	N/A	---	N/A	N/A	N/A	---	920	325	0.44	---	870	310	0.42	---	820	296	0.40	---		
				TAP 4 (HEAT) <sup>*</sup>	615	82	0.11	44	580	86	0.12	46	540	91	0.12	50	500	96	0.13	54	460	102	0.14	58		
				TAP 5 (HEAT)	N/A	N/A	N/A	N/A	710	129	0.17	38	685	135	0.18	39	650	140	0.19	41	615	145	0.19	44		
	MGE848-7-13-36*P	35-65	50	TAP 1 (COOL) <sup>‡</sup>	704	126	0.17	---	664	131	0.18	---	626	136	0.18	---	592	141	0.19	---	553	147	0.20	---		
				TAP 2 (COOL)	1020	307	0.41	---	980	313	0.42	---	900	314	0.42	---	850	300	0.40	---	800	290	0.39	---		
				TAP 3 (COOL) <sup>†</sup>	N/A	N/A	N/A	---	N/A	N/A	N/A	---	920	325	0.44	---	870	310	0.42	---	820	296	0.40	---		
				TAP 4 (HEAT) <sup>*</sup>	715	135	0.18	50	675	142	0.19	53	640	148	0.20	56	600	155	0.21	60	560	162	0.22	64		
				TAP 5 (HEAT)	N/A	N/A	N/A	N/A	820	212	0.28	44	785	219	0.29	46	745	227	0.30	48	715	234	0.31	50		
	MGE860-7-13-36*P	40-70	55	TAP 1 (COOL) <sup>‡</sup>	704	126	0.17	---	664	131	0.18	---	626	136	0.18	---	592	141	0.19	---	553	147	0.20	---		
				TAP 2 (COOL)	1020	307	0.41	---	980	313	0.42	---	900	314	0.42	---	850	300	0.40	---	800	290	0.39	---		
				TAP 3 (COOL) <sup>†</sup>	N/A	N/A	N/A	---	N/A	N/A	N/A	---	920	325	0.44	---	870	310	0.42	---	820	296	0.40	---		
				TAP 4 (HEAT) <sup>*</sup>	825	175	0.23	54	790	179	0.24	57	755	185	0.25	59	720	191	0.26	62	690	197	0.26	65		
				TAP 5 (HEAT)	935	240	0.32	48	905	246	0.33	49	870	254	0.34	51	845	260	0.35	53	815	266	0.36	55		

N/A: Do not operate unit using this blower speed at this external static pressure.  
 ‡ As shipped speed for Cooling operation. Blower speed must be field adjusted to speed Tap 2 for lower duct static applications.  
 \* As shipped speed for Heating operation. Blower speed must be field adjusted to speed Tap 5 for higher duct static applications.  
 † As shipped speed for Low Stage Cooling operation (low duct static).

SCFM = standard cubic feet per minute



215 Metropolitan Drive | West Columbia, SC 29170  
 800-448-5872  
 Product Support 866-282-7257  
 www.magic-pak.com

All specifications and illustrations subject to change without notice and without incurring obligations.