

**INSTALLATION INSTRUCTIONS FOR T2HW SERIES HOT WATER HEATERS TO BE USED WITH  
EL\_XA / ELA / TAA SERIES UNITS (44W20 AND 44W21)**

RETAIN THESE INSTRUCTIONS FOR  
FUTURE REFERENCE

**⚠ WARNING**

Improper installation, adjustment, alteration, service or maintenance can cause property damage, personal injury or loss of life. Installation and service must be performed by a licensed professional HVAC installer or equivalent, service agency, or the gas supplier.

**⚠ CAUTION**

As with any mechanical equipment, contact with sharp sheet metal edges can result in personal injury. Take care while handling this equipment and wear gloves and protective clothing.

**Shipping and Packing List**

Check parts for shipping damage; if any damage is found, immediately contact the last shipping carrier.

Package 1 of 1 contains the following:

- 1 – Assembled hot water coil unit
- 1 – Installation instruction



2 — Grommets

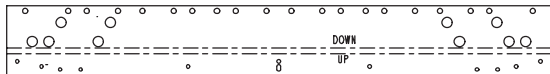


12 — #10-16 x 5/8" sheet metal screws

PVC foam striping (1/2" x 3/4" x 130")



2 — Mounting brackets



**General**

These instructions are intended as a general guide and do not supersede local codes in any way. Consult authorities who have jurisdiction before installation.

**Application**

**NOTE** - All valves and secondary pumps must be provided by the installer.

T2HW series coils are used as primary heaters for EL\_XA, ELA and TAA series units. T2HW coils can be installed in either horizontal or upflow applications with a specific EL\_XA/ELA/TAA unit.

- T2HWCL10M - ELA072 through ELA150 units and TAA072 through TAA150 units.
- T2HWCL10N - ELA180 through ELA240 units and TAA180 through TAA240 units.

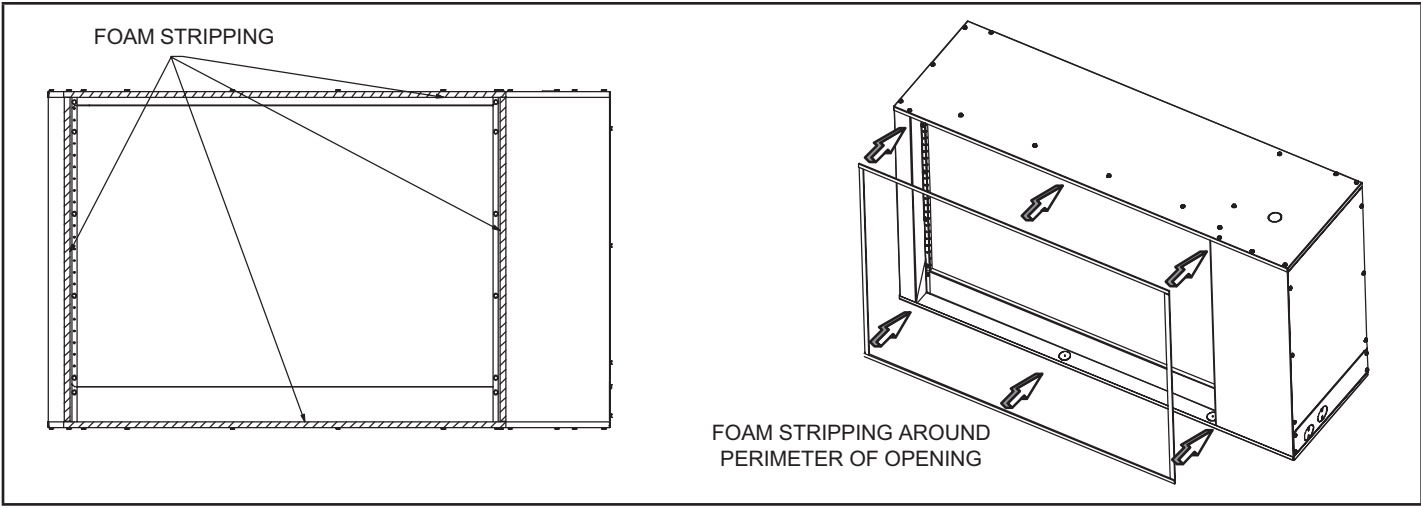
T2HW units are provided with knockouts for front plumbing exits and 1-3/8" supply and return sweat fittings for field piping connections.

**Blower Speed Requirements**

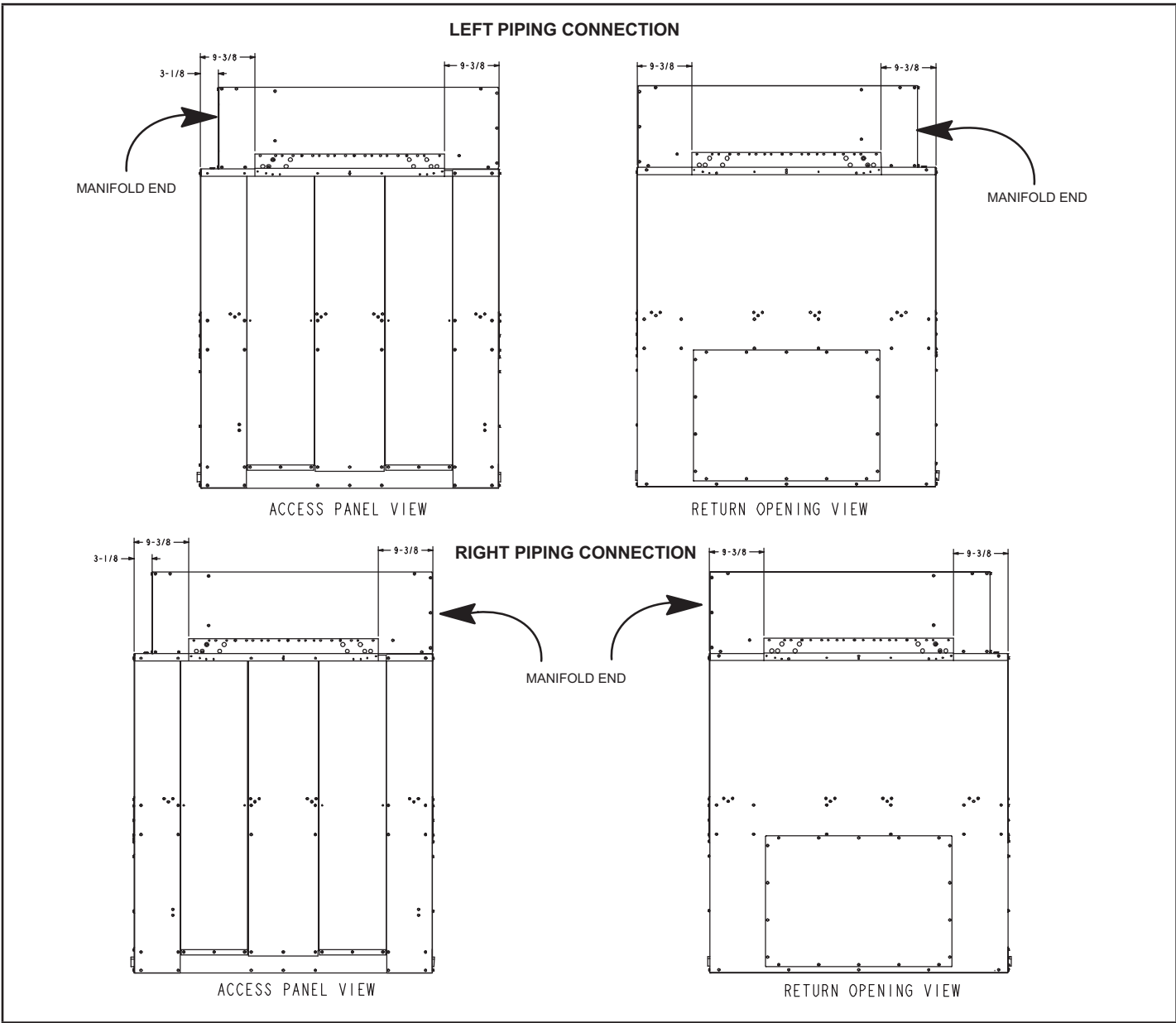
T2HW coil applications require specific blower air volumes. To determine the unit CFM, see EL\_XA/ELA/TAA series installation instructions.

**Hardware Installation**

- 1 - If the unit has been previously installed, remove the supply-air duct from the air handler.
- 2 - Apply PVC foam striping around adjoining cabinet surfaces as illustrated in figure 1.
- 3 - Align the T2HW cabinet, air handler unit and the two provided mounting brackets as illustrated in figures 2 through 4.
- 4 - Secure the two cabinets together using the provided screws and mounting brackets.
- 5 - Remove the piping access panel.
- 6 - Remove the cap plugs from the hot water coil manifolds.
- 7 - Install the provided grommets (2) into access panel after removing knockouts.
- 8 - Run piping through access panel grommets and braze to manifolds.

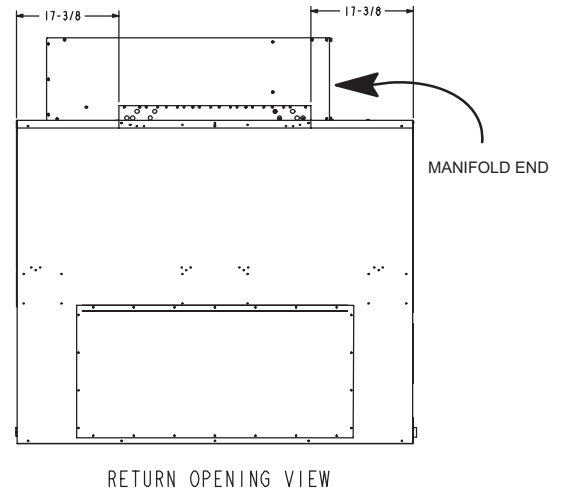
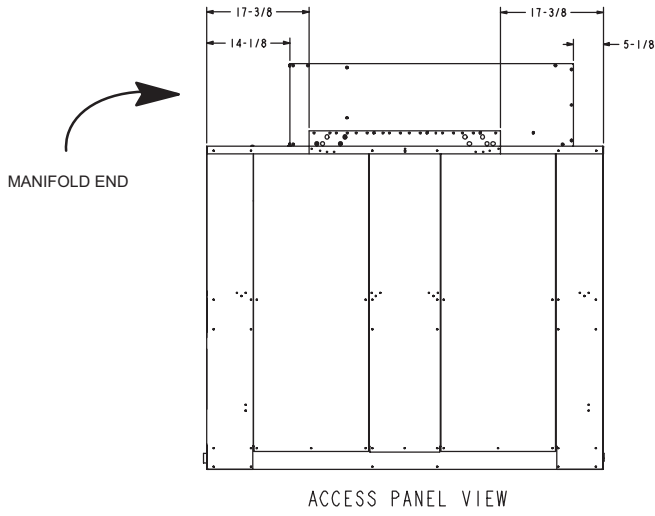


**FIGURE 1. Foam Stripping Installation**

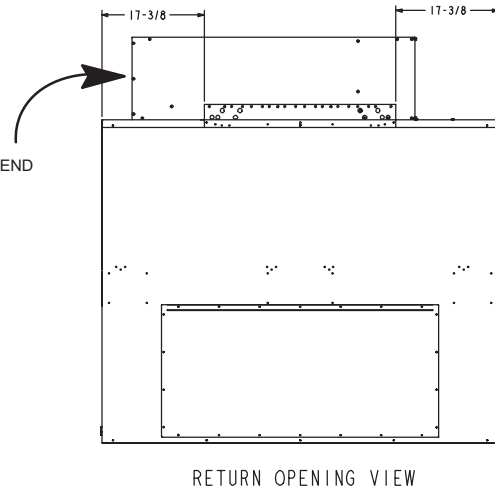
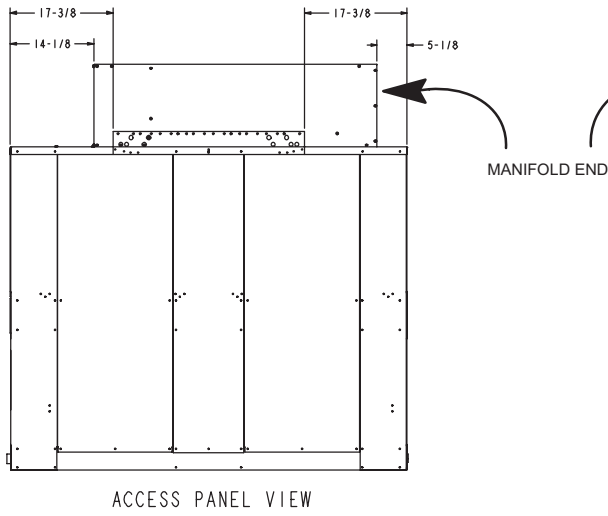


**FIGURE 2. T2HW Cabinet Installation on EL072-090XA, ELA072/090 and TAA072/090 (Left and Right Piping Connections)**

**LEFT PIPING CONNECTION**

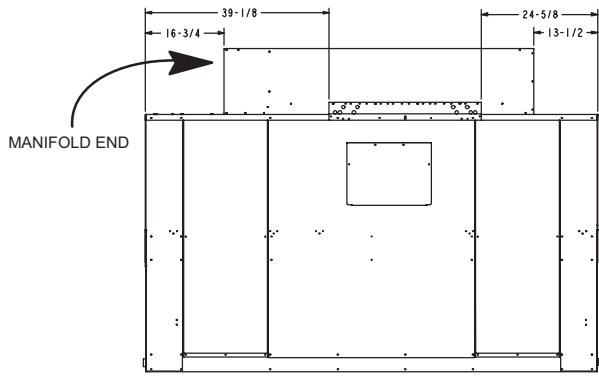


**RIGHT PIPING CONNECTION**

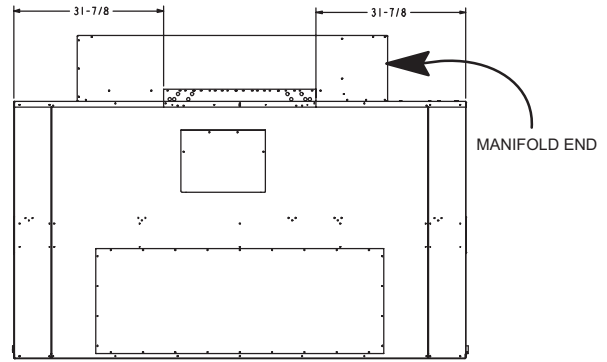


**FIGURE 3. T2HW Cabinet Installation on EL120-150XA, ELA120/150 and TAA120/150 (Left and Right Piping Connections)**

**LEFT PIPING CONNECTION**

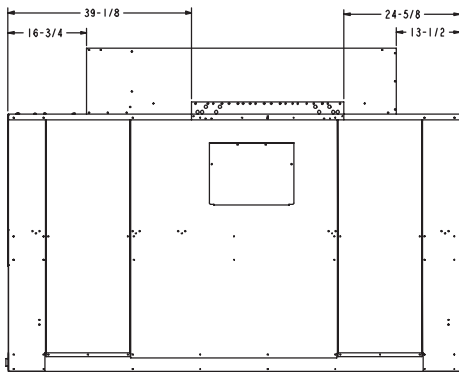


ACCESS PANEL VIEW

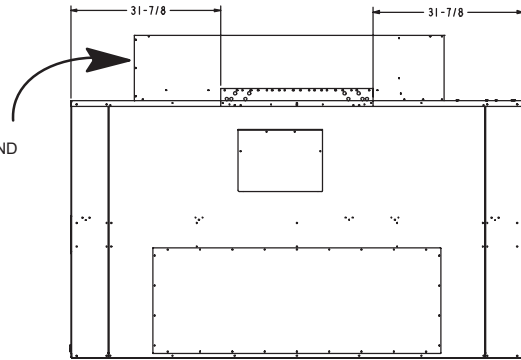


RETURN OPENING VIEW

**RIGHT PIPING CONNECTION**



ACCESS PANEL VIEW



RETURN OPENING VIEW

**FIGURE 4. T2HW Cabinet Installation on EL180-240XA, ELA180/240 and TAA180/240  
(Left and Right Piping Connections)**