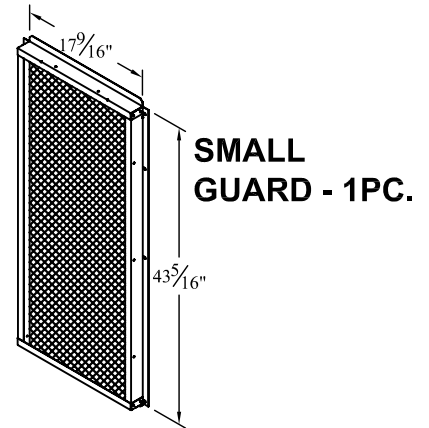




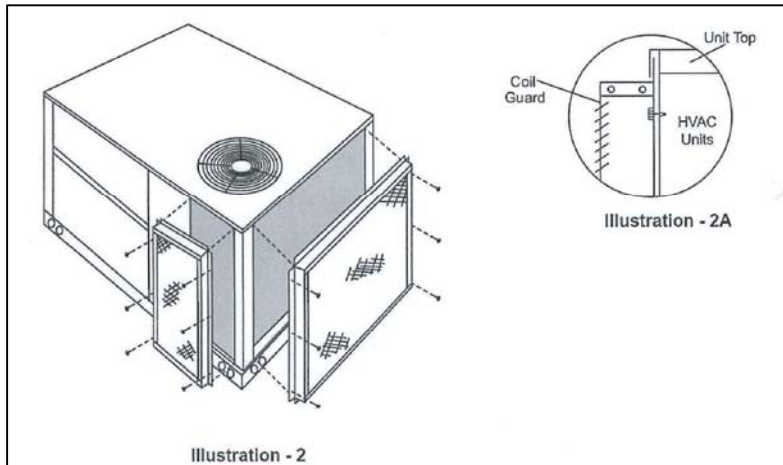
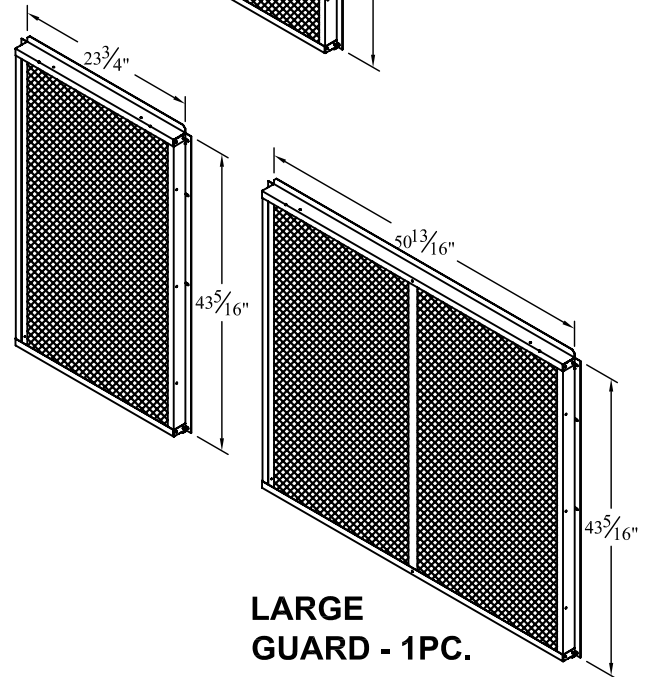
# INSTALL INSTRUCTIONS FOR CONSOLIDATED COIL/HAIL GUARD FOR LENNOX (CAT#13T30)

**CAUTION**  
WHEN INSTALLING COIL GUARD BE SURE  
NOT TO PUNCTURE CONDENSER COIL

1. THE 13T30 COIL GUARDS ARE DESIGNED TO PROTECT THE CONDENSOR COIL OF THE HVAC UNIT. THE FOLLOWING ARE INCLUDED:-  
SHIPPING AND PACKING LIST  
1- SMALL COIL GUARD  
1- MEDIUM COIL GUARD  
1- LARGE COIL GUARD  
1- HARDWARE BAG W/  
1-INSTRUCTIONS  
24-#10-1/2" SCREWS



**MEDIUM  
GUARD - 1PC.**



## INSTALLATION

1. DISCONNECT ALL POWER SOURCES TO THE UNIT.
2. SLIDE THE TOP FLANGE OF SMALL COIL GUARD UNDERNEATH THE TOP FLANGE OF THE HVAC UNIT. (SEE ILL. 2 AND 2A)
3. SCREW THE SIDE FLANGES OF THE GUARD WITH THE UNIT. TO AVOID COIL DAMAGE, USE ONLY 1/2" SCREWS PROVIDED.

**NOTE:- BE CAREFUL NOT TO DAMAGE THE COIL WHILE INSTALLING THE GUARD. THE SELF DRILLING SCREWS PROVIDED CAN BE USED ON ALL THE SIDES WITH OR WITHOUT MATCHING HOLES IN THE UNIT.**



# INSTALL INSTRUCTIONS FOR CONSOLIDATED COIL/HAIL GUARD TO SUIT LENNOX CAT#13T30

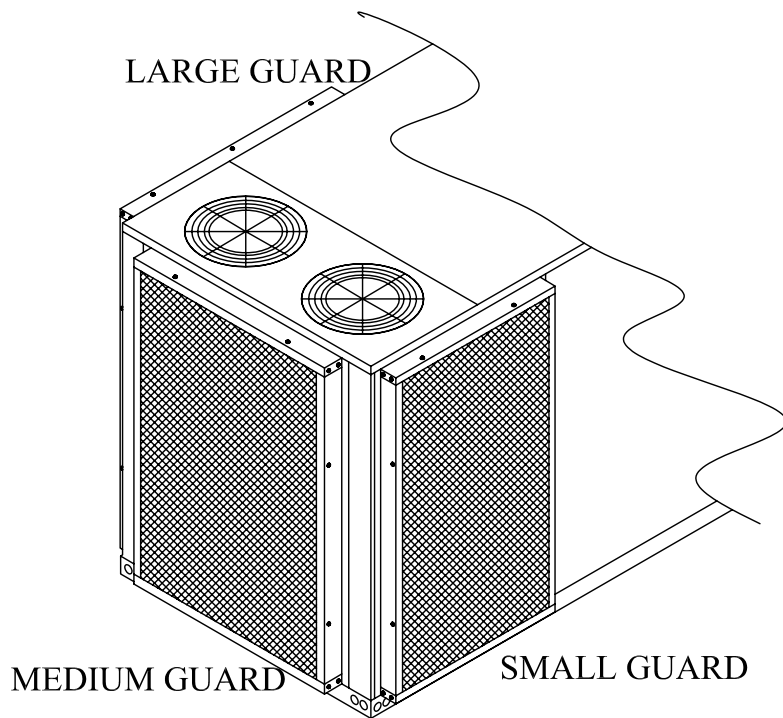


FIG. 2

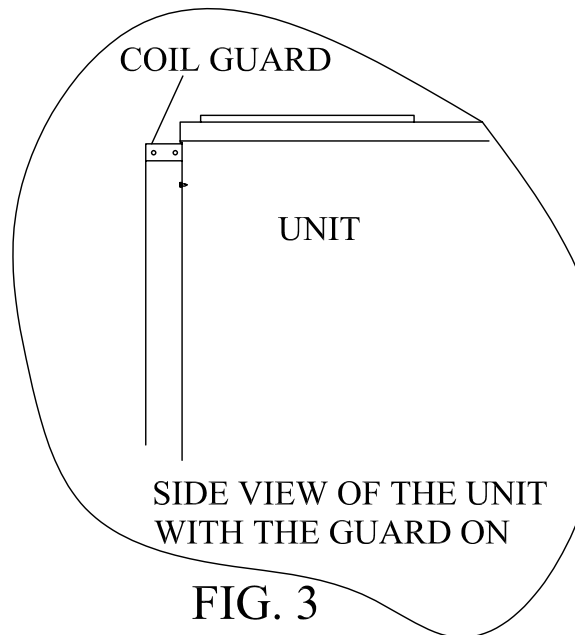


FIG. 3

5. REPEAT THE PROCESS FOR THE MEDIUM AND LARGE GUARDS. TO AVOID COIL DAMAGE USE ONLY 1/2" SCREWS PROVIDED.