



COMMERCIAL
PRODUCT SPECIFICATIONS

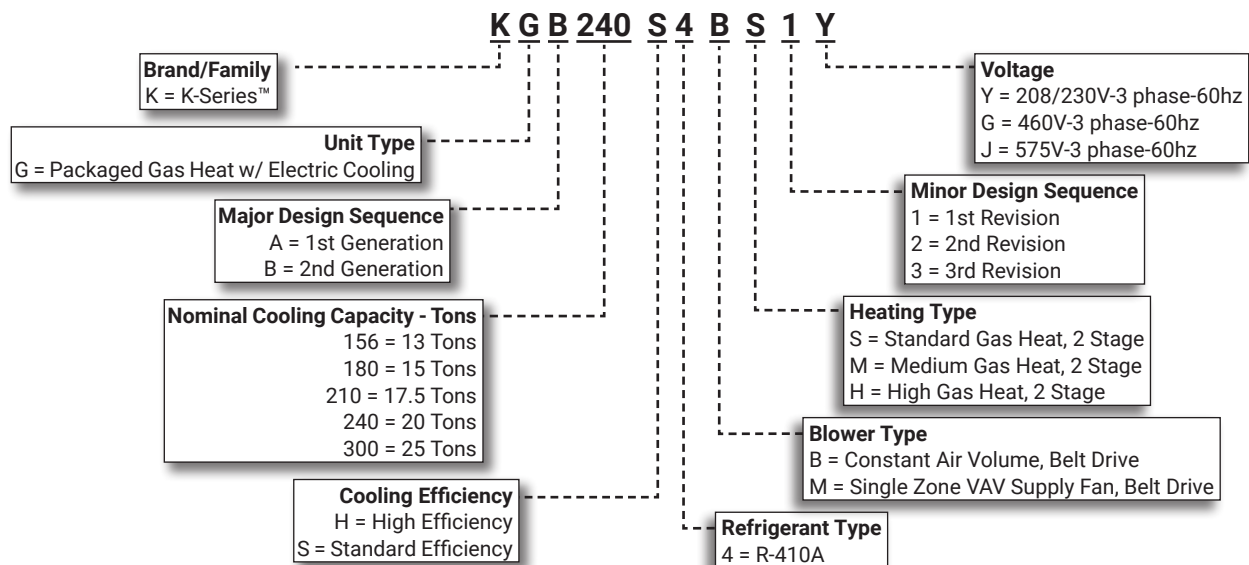
Bulletin No. 310824
March 2020
Supersedes August 2019



ASHRAE 90.1
COMPLIANT

13 to 25 Tons
Net Cooling Capacity – 150,000 to 270,000 Btuh
Gas Input Heat Capacity – 260,000 to 480,000 Btuh

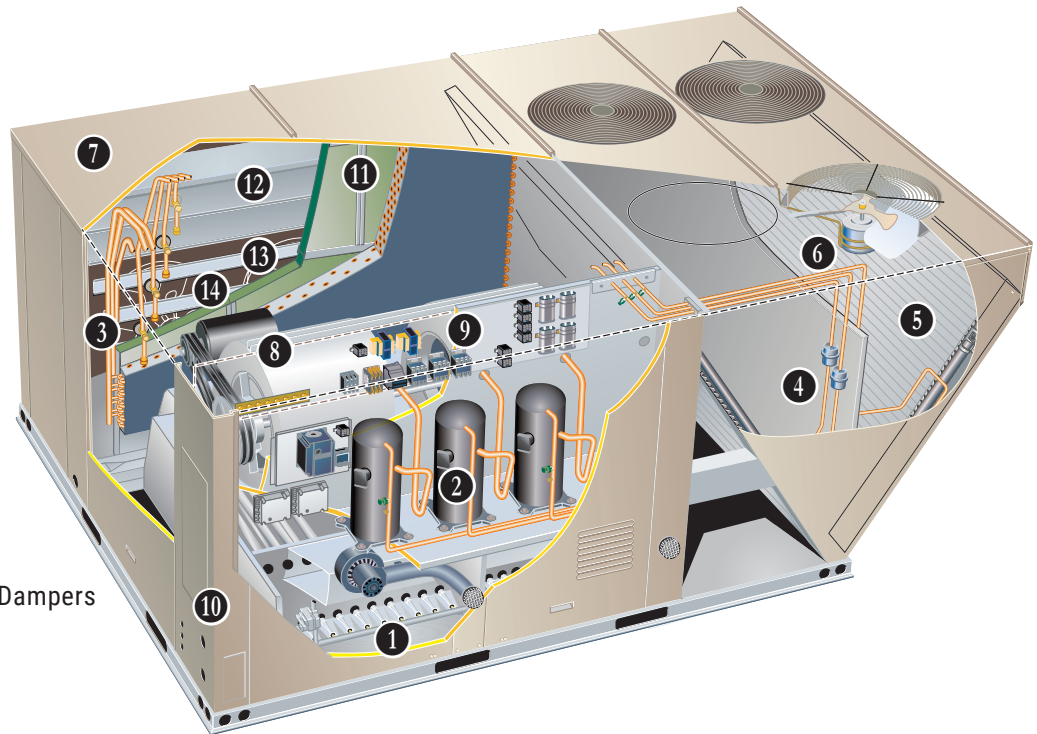
MODEL NUMBER IDENTIFICATION



FEATURE HIGHLIGHTS

K-Series™ rooftop units from Allied are the new standard for reliable, efficient rooftop units built for long-lasting performance that can significantly improve indoor and outdoor environments.

1. Heat Exchanger
2. Scroll Compressors
3. Thermal Expansion Valves
4. Filter/Driers
5. Eco-Last™ Coil System
6. Outdoor Coil Fan Motors
7. Cabinet Construction
8. Constant or Single Zone VAV Air Volume Blower
9. Unit Control
10. Disconnect Switch (option)
11. Air Filters
12. Economizer (option)
13. Downflow Barometric Relief Dampers (option)
14. Power Exhaust Fans (option)



CONTENTS

Approvals and Warranty	3
Blower Data	33
Dimensions - Accessories	46
Dimensions - Unit	43
Electrical Accessories	40
Electrical Data	36
Features And Benefits	3
High Altitude Derate	22
Humiditrol® Dehumidification System Option	12
Humiditrol® Dehumidification System Ratings	31
Model Number Identification	1
Optional Conventional Temperature Control Systems	11
Options / Accessories	14
Outdoor Sound Data	41
Ratings	23
Specifications - Gas Heat	22
Specifications - High Efficiency	20
Specifications - Standard Efficiency	18
Unit Clearances	41
Weight Data	42

APPROVALS AND WARRANTY

APPROVALS

- AHRI Standard 340/360 certified
- ETL and CSA listed
- CSA certified energy ratings
- Unit and components ETL, NEC and CEC bonded for grounding to meet safety standards for servicing
- All models are ASHRAE 90.1-2010 energy efficiency compliant and meet or exceed requirements of Section 6.8
- All models meet DOE 2018 energy efficiency standards
- Single Zone VAV models meet California Code of Regulations, Title 24 and ASHRAE 90.1-2010 Section 6.4.3.10 requirements for staged airflow
- ISO 9001 Registered Manufacturing Quality System

WARRANTY

- Aluminized steel heat exchanger - Limited ten years
- Stainless steel heat exchanger (optional) - Limited fifteen years
- Compressors - Limited five years
- Allied Eco-Last™ Coil System - Limited three years
- Optional High Performance Economizers - Limited five years
- All other covered components - Limited one year

FEATURES AND BENEFITS

HEATING SYSTEM

- Aluminized steel inshot burners
- Direct spark ignition
- Electronic flame sensor
- Combustion air inducer
- Redundant automatic dual stage gas valve with manual shut-off

- Flame sensor
- Combustion air inducer proving switch

Required Selections

Gas Input Choice - Order one:

- Standard Gas Heat, 2 Stage (169,000/260,000 Btuh)
- Medium Gas Heat, 2 Stage (234,000/360,000 Btuh)
- High Gas Heat, 2 Stage (312,000/480,000 Btuh)

Options / Accessories

Factory Installed

Stainless Steel Heat Exchanger

- Required if mixed air temperature is below 45°F

Field Installed

Bottom Gas Piping Kit

- Allows bottom gas entry

Low Temperature Vestibule Heater

- Electric heater automatically controls minimum temperature in gas burner compartment when temperature is below -40°F
- CSA certified to allow operation of unit down to -60°F

1 Heat Exchanger

- Tubular construction
- Aluminized steel
- Life cycle tested

NOTE - Optional Stainless Steel Heat Exchanger is required if mixed air temperature is below 45°F.

Electronic Pilot Ignition

- Provides positive direct ignition of burners on each operating cycle
- System permits main gas valve to stay open only when the burners are proven to be lit
- Should a loss of flame occur, the gas valve closes, shutting off the gas to the burners
- LED indicates status and aid in troubleshooting
- Factory installed in the controls section

Limit Controls

- Factory installed
- Redundant limit controls with fixed temperature setting Protects heat exchanger and other components from overheating

Safety Switches

- Protects system operation
- Flame roll-out switch

FEATURES AND BENEFITS

HEATING SYSTEM (continued)

Options / Accessories

Field Installed

Combustion Air Intake Extensions

- Recommended for use with existing flue extension kits in areas where high snow areas can block intake air
- Order two kits

LPG/Propane Kits

- Conversion kit to field change over units from Natural Gas to LPG/Propane
- Order two kits

Vertical Vent Extension Kit

- Use to exhaust flue gases vertically above unit
- Required when unit vent is too close to fresh air intakes per building codes
- Also prevents ice formation on intake louvers
- Contains vent transition, vent tee, drain cap and installation hardware

NOTE - Straight vent pipes (4 in. B-Vent) and caps are not furnished and must be field supplied. Refer to kit instructions for additional information.

COOLING SYSTEM

- Designed to maximize sensible and latent cooling performance at design conditions
- System can operate from 30°F to 125°F without any additional controls

R-410A Refrigerant

- Non-chlorine based
- Ozone-friendly

2 Scroll Compressors

- Scroll compressors on all models for high performance, reliability and quiet operation
- Resiliently mounted on rubber grommets for quiet operation

Compressor Crankcase Heaters

- Protect against refrigerant migration that can occur during low ambient operation

3 Thermal Expansion Valves (All High Efficiency Models, 300S Model and all Standard Efficiency Models with Dehumidification)

- Assures optimal performance throughout the application range
- Removable element head

Refrigerant Metering Orifice (All Standard Efficiency Models except 300S Model)

- Accurately meters refrigerant in system
- Refrigerant control is accomplished by exact sizing of refrigerant metering orifice

4 Filter/Driers

- High capacity filter/drier protects the system from dirt and moisture

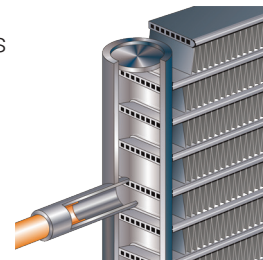
High Pressure Switches

- Protects the system from high pressure conditions

Freezestats

- Protects the evaporator coil from damaging ice build-up due to conditions such as low/no airflow, or low refrigerant charge

- 5 **Condenser Coil - Eco-Last™ Coil System** Lightweight, all aluminum brazed fin construction
- Constructed of three components
 - A flat extrusion tube
 - Fins in-between the flat extrusion tube
 - Two refrigerant manifolds



Environ™ Coil System Features:

- Improved heat transfer performance due to high primary surface area (flat tubes) versus secondary surface (fins)
- Smaller internal volume (reduced refrigerant charge)
- High durability
- All aluminum construction
- Fewer brazed joints
- Compact design
- Reduced unit weight
- Easy maintenance/cleaning
- Face split design
- Mounting brackets with rubber inserts
- Angled cabinet design protects coil from damage

Evaporator Coil

- Copper tube construction
- Enhanced rippled-edge aluminum fins
- Flared shoulder tubing connections
- Silver soldered construction
- Factory leak tested
- Cross row circuiting with rifled tubing

Condensate Drain Pan

- Plastic pan, sloped to meet drainage requirements of ASHRAE 62.1
- Side or bottom drain connections

6 Outdoor Coil Fan Motors

- Thermal overload protected
- Totally enclosed
- Permanently lubricated ball bearings
- Shaft up
- Wire basket mount

Outdoor Coil Fans

- PVC coated fan guard furnished

Required Selections

Cooling Capacity

- Specify nominal cooling capacity

FEATURES AND BENEFITS

COOLING SYSTEM (continued)

Options/Accessories

Factory Installed

Conventional Fin/Tube Condenser Coil (replaces Eco-Last™ Coil System, Standard Efficiency Models only)

- Copper tube construction
- Enhanced rippled-edge aluminum fins
- Flared shoulder tubing connections
- Silver soldered construction

NOTE - Required if Dehumidification System is ordered.

Field Installed

Condensate Drain Trap

- Available in copper or PVC

Drain Pan Overflow Switch

- Monitors condensate level in drain pan, shuts down unit if drain becomes clogged

Low Ambient Controls

- Units operate satisfactorily down to 45°F outdoor air temperature without any additional controls
- Two low ambient control options are available for field installation
 1. **Low Ambient Control Kit (30°F)** - Allows unit operation down to 30°F.
 2. **Low Ambient Control Kit (0°F)** - Allows unit operation down to 0°F without evaporator coil icing
 - Head pressure speed control reduces outdoor fan operation during low ambient conditions until head pressure rises to the setpoint
 - Pressure transducers are mounted on the liquid lines
 - High pressure switches are furnished to replace existing
 - Wiring harnesses are furnished for simple plug-in wiring to fans and controller

CABINET

7 Construction

- Heavy-gauge steel panels
- Full perimeter heavy-gauge galvanized steel base rail
- Base rails have rigging holes
- Three sides of the base rail have forklift slots
- Raised edges around duct and power entry openings in the bottom of the unit for water protection

Airflow Choice

- Units are shipped in downflow (vertical) return air flow configuration

NOTE - Units can be field converted to horizontal air flow with optional Horizontal Return Air Panel Kit and Horizontal Roof Curb.

Power/Gas Entry

- Electrical and gas lines can be brought through the unit base or through horizontal access knock-outs

Exterior Panels

- Constructed of heavy-gauge, galvanized steel
- Two-layer enamel paint finish

Insulation

- Fully insulated with non-hygroscopic fiberglass insulation (conditioned areas)
- Unit base is fully insulated
- Base insulation serves as an air seal to the roof curb, eliminating the need to add a seal during installation

Access Panels

- Economizer/Filter section
- Heating/Blower section
- Compressor/Controls section

Options/Accessories

Factory Installed

Corrosion Protection

- Completely flexible immersed coating
- Electrodeposited dry film process
- AST ElectroFin E-Coat
- Meets Mil Spec MIL-P-53084, ASTM B117 Standard Method Salt Spray Testing
- Indoor Corrosion Protection:
 - Coated coil
 - Coated reheat coil (Dehumidification)
 - Painted blower housing
 - Painted base
- Outdoor Corrosion Protection:
 - Coated coil
 - Painted outdoor base

Hinged Access Panels

- Filter section
- Heating/Blower section
- Compressor/Controls section.
- Panel seals and quarter-turn latching handles provide a tight air and water seal

Field Installed

Combination Coil/Hail Guards

- Heavy gauge steel frame
- Painted to match cabinet
- Expanded metal mesh protects outdoor coil

Horizontal Return Air Panel Kit

- Required for horizontal applications with Horizontal Roof Curb
- Contains panel with return air opening for field replacement of existing unit panel and panel to cover bottom return air opening in unit
- See dimension drawings

FEATURES AND BENEFITS

BLOWER

- A wide selection of supply air blower options are available to meet a variety of airflow requirements

Motor

- Overload protected, equipped with ball bearings
- Belt drive motors are offered on all models and are available in several different sizes to maximize air performance

Supply Air Blower

- Forward curved blades
- Double inlet
- Blower wheel statically and dynamically balanced
- Ball bearings
- Adjustable pulley (allows speed change)
- Blower assembly slides out of unit for servicing

Required Selections

8 Select Constant Air Volume (CAV) or Single Zone VAV Supply Fan

- Constant Air Volume (CAV) models supply a constant volume of air
- Single Zone VAV Supply Fan models utilize a Variable Frequency Drive (VFD) to stage the supply air blower airflow
 - The VFD alters the frequency and voltage of the power supply to the blower to control blower speed
 - The supply air blower has two speeds:
 1. Low speed for part-load cooling operation

NOTE - Low speed is 66% of high speed

2. High speed for full load cooling and all heat modes

- Full speed blower operation is set by adjusting the motor pulley to deliver the desired air volume
- The ventilation speed is selectable between high and low speed

NOTE - Part load airflow in cooling mode on Single Zone VAV Supply Fan models should not be set below 220 cfm/nominal full load ton to reduce the risk of evaporator coil freeze-up.

- The VFD has an operational range of -40 to 125° F outdoor air ambient temperature
- Lower operating costs are obtained when the blower is operated on lower speeds

Single Zone VAV Supply Fan Sequence of Operation

- Ventilation speed is determined by the VENT SPEED switch setting on VFD control board (LO or HI)
- Blower operates in low speed for mechanical cooling (Y1)
- Blower operates in high speed for any other mode (free cooling, mechanical cooling Y1+Y2, and heating)
- Economizer damper minimum position is fully closed in unoccupied mode

- In occupied mode, the economizer damper minimum position is determined by the setting of the two potentiometers on VFD control board:

- **LO SPD MIN POS** potentiometer sets the minimum position when blower is operating at low speed
- **HI SPD MIN POS** potentiometer sets the minimum position when blower is operating at high speed

Ordering Information

- Specify standard or high efficiency blower motor, motor horsepower and drive kit number when base unit is ordered

Options/Accessories

Field Installed

VFD Manual Bypass Kit

- VFD Manual Bypass Control is available as a kit for Single Zone VAV Supply Fan equipped models
- The VFD Manual Bypass Control is a manual bypass and is enabled by re-configuring the wiring on the unit

CONTROLS

9 Unit Control

- All control voltage is provided via a 24V (secondary) transformer with built-in circuit breaker protection
- Up to 2 heat / 2 cool staging with a third party DDC control system or thermostat
- Low voltage terminal block provides screw terminal connections for thermostat or controller wiring
- Night Setback Mode saves energy by closing outdoor air dampers and operating supply fan on thermostat demand only

Options/Accessories

Field Installed

Smoke Detector

- Photoelectric type
- Installed in supply air section, return air section or both sections
- Available with power board and single sensor (supply or return) or power board and two sensors (supply and return)
- Power board located in unit control compartment

FEATURES AND BENEFITS

ELECTRICAL

- All units include terminal block and fuse block in power entry junction box for single power entry application

Marked & Color-Coded Wiring

- All electrical wiring is color-coded and marked to identify which components it is connecting

Electrical Plugs

- Positive connection electrical plugs are used to connect common accessories or maintenance parts for easy removal or installation

Required Selections

Voltage Choice

- Specify when ordering base unit

Options/Accessories

Factory or Field Installed

10 Disconnect Switch

- Accessible from outside of unit
- Spring loaded weatherproof cover furnished

GFI Service Outlets (2)

- 115V ground fault circuit interrupter (GFCI) type
- Non-powered
- Field-wired

Field Installed

GFI Weatherproof Cover

- Single-gang cover
- Heavy-duty UV-resistant polycarbonate case construction
- Hinged base cover with gasket

Phase Monitor

- Phase monitor detects the phasing of incoming power
- If the incoming power is out of phase or if any of the three phases are lost red LED on the phase monitor will light and the unit will not start
- Green LED indicates normal operation with correct incoming power phasing

NOTE - Phase Monitor is factory Installed in the control compartment on all units equipped with the Single Zone VAV Supply Fan option.

INDOOR AIR QUALITY

11 Air Filters

- Disposable 2 inch filters furnished as standard

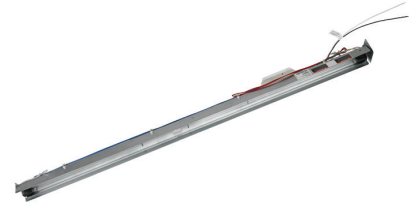
Options/Accessories

Field Installed

High Efficiency Air Filters

- Disposable MERV 8 or MERV 13 (Minimum Efficiency Reporting Value based on ASHRAE 52.2) efficiency
- 2 inch pleated filters

UVC Germicidal Lamps



- Germicidal lamps emit ultra-violet (UV-C) energy, which has been proven to be effective in reducing microbes such as viruses, bacteria, yeasts, and molds
- This process either destroys the organism or controls its ability to reproduce
- UV-C energy greatly reduces the growth and proliferation of mold and other bioaerosols (bacteria and viruses) on illuminated surfaces (particularly coil and drain pan)
- Field installed in the blower/evaporator coil section
- All necessary hardware for installation is included
- Lamps operate on 208/230V power supply

NOTE - Step-down transformer must be field supplied when used with 460V and 575V rooftop units

- Magnetic safety interlock terminates power when access panels are removed
- Approved by ETL

Indoor Air Quality (CO₂) Sensors

- Monitors CO₂ levels
- Reports to the Unit Controller which adjusts economizer dampers as needed

OPTIONS / ACCESSORIES

ECONOMIZER

Factory or Field Installed

12

Economizer (Standard and High Performance Common Features)

- Outdoor Air Hood with mist elimination filter furnished
- Mixed Air Sensor furnished for field installation in the rooftop unit

NOTE - Sensor is factory installed when Economizer is factory installed.

Standard Economizer Features (Not for Title 24)

- Gear-driven action
- 24-volt, fully-modulating spring return motor
- Return air and outdoor air dampers
- Plug-in connections to unit
- Nylon bearings
- Neoprene seals

Standard Economizer Control Module (Not for Title 24)

- Standard Economizer Control Module operation is based on outdoor air temperatures

Economizer Controls:

- **Damper Minimum Position** - Can be set lower than traditional minimum air requirements resulting in cost savings
- **IAQ Sensor** - Signals dampers to modulate and maintain 55°F when CO₂ is higher than the CO₂ setpoint
- **Demand Control Ventilation (DCV) LED** - A steady green Demand Control Ventilation LED indicates the IAQ reading is higher than setpoint and requires more fresh air
- **Free Cool LED** - A steady green LED indicates outdoor air is suitable for free cooling
 - Free Cooling runs when outdoor air temperature is lower than the set temperature on the economizer control.



NOTE: The Free Cooling default setting for outdoor air temperature sensor is 55°F.

High Performance Economizer Features

- Approved for California Title 24 building standards
- Low leakage dampers are Air Movement and Control Association International (AMCA) Class 1A Certified - Maximum 3 CFM per sq. ft. leakage at 1 in. w.g.
- ASHRAE 90.1-2010 compliant
- Gear-driven action
- High torque 24-volt fully-modulating spring return damper motor
- Return air and outdoor air dampers
- Plug-in connections to unit
- Stainless steel bearings

- Enhanced neoprene blade edge seals
- Flexible stainless steel jamb seals

NOTE - High Performance Economizers are not approved for use with enthalpy controls in Title 24 applications.

High Performance Economizer Control Module

- Provides inputs and outputs to control economizer based on parameter settings
- Automatically detects sensors by polling to determine which sensors are installed in system
- Displays any alarm messages (fault detection and diagnostics) as an aid in troubleshooting
- Non-volatile memory retains parameter settings in case of power failure
- Keypad with four navigation buttons and LCD screen is furnished for setting economizer parameters
 - Menu Up/Exit (⬆) button returns to the main menu
 - Arrow Up (▲) button moves to the previous or next parameter within the selected menu
 - Arrow Down (▼) button moves to the next parameter within the selected menu
 - Select (enter) (↵) button confirms parameter selection
 - Main Menu Structure:
 - **Status** (economizer and system operation status)
 - **Setpoints** (settings for various setpoint parameters)
 - **System Setup** (settings/information about the system)
 - **Advanced Setup** (freeze protection, CO₂ settings, stage 3 delay and additional calibration settings)
 - **Checkout** (damper positions)
 - **Alarms** (output signal that can be configured for remote alarm monitoring)



NOTE - The Free Cooling setpoint for Title 24 applications must be set based on the Climate Zone where the system is installed. See Section 140.4 "Prescriptive Requirements for Space Conditioning Systems" of the California Energy Commission's 2013 Building Energy Efficiency Standards.

NOTE - Refer to Installation Instructions for complete setup information and menu parameters available

Factory or Field Installed

Single Enthalpy Temperature Control (Not for Title 24)

- Outdoor air enthalpy sensor enables Economizer if the outdoor enthalpy is less than the setpoint of the control

Field Installed

Differential Enthalpy Control (Not for Title 24)

- Order two Single Enthalpy Controls
- One is field installed in the return air section, the other in the outdoor air section
- Allows the economizer control board to select between outdoor air or return air, whichever has lower enthalpy

OPTIONS / ACCESSORIES

EXHAUST

Factory or Field Installed

- 13 Downflow Barometric Relief Dampers With Exhaust Hood
- Allow relief of excess air
 - Aluminum blade dampers prevent blow back and outdoor air infiltration during off cycle
 - Exhaust hood with bird screen is furnished

Field Installed

Horizontal Barometric Relief Dampers With Exhaust Hood

- For use when unit is configured for horizontal applications requiring an economizer
- Allows relief of excess air
- Aluminum blade dampers prevent blow back and outdoor air infiltration during off cycle
- Field installed in return air duct
- Exhaust hood with bird screen is furnished

14 **Power Exhaust Fans**

- Installs internal to unit for downflow applications only with economizer option
- Provides exhaust air pressure relief
- Interlocked to run when supply air blower is operating, fans run when outdoor air dampers are 50% open (adjustable)
- Motor is overload protected
- Dual fans
- 20 in. diameter
- 5 blades
- Two 1/3 hp motors

NOTE - Requires Economizer with Outdoor Air Hood and Downflow Barometric Relief Dampers

OUTDOOR AIR

Factory or Field Installed

Outdoor Air Damper - Downflow or Horizontal With Air Hood

- Linked mechanical dampers
- 0 to 25% (fixed) outdoor air adjustable
- Installs in unit. Includes outdoor air hood
- Automatic model features fully modulating spring return damper motor with plug-in connection
- Manual model features parallel blade, gear-driven dampers with adjustable fixed position

NOTE - Outdoor Air Hood is included when damper is factory installed and is furnished with damper when ordered for field installation.

OPTIONS / ACCESSORIES

ROOF CURBS

- Nailer strip furnished (downflow only)
- Mates to unit
- US National Roofing Contractors Approved
- Shipped knocked down

Downflow

Hybrid Roof Curbs

- Interlocking tabs fasten corners together
- No tools required
- Can also be fastened together with furnished hardware
- Available in 8, 14, 18, and 24 inch heights

Adjustable Pitch Curb

- Fully adjustable pitch curbs (3/4 in. per foot in any direction) provide a level platform for rooftop units allowing flexible installations on roofs with uneven or sloped angles
- Uses interlocking tabs to fasten corners together. No tools required
- Hardware is furnished to connect upper curb with lower curb
- Available in 14 inch height

Horizontal

- Meet National Roofing Code requirements
- Converts unit from downflow to horizontal (side) air flow
- Return air is on unit, supply air is on curb
- See dimension drawings
- Available in 26, 30, 37 and 41 inch heights

NOTE - Requires Horizontal Return Air Panel Kit.

NOTE - Optional Insulation Kit is available to help prevent sweating.

Adaptor Curbs (not shown)

- Curbs are regionally sourced
- Dimensions vary based upon the source

NOTE - Contact your local sales representative for a detailed cut sheet with applicable dimensions.

CEILING DIFFUSERS

Field Installed

Ceiling Diffusers (Flush or Step-Down)

- White powder coat finish on diffuser face and grilles
- Insulated UL listed duct liner
- Diffuser box has collars for duct connection
- Step-down diffusers have double deflection blades
- Flush diffusers have fixed blades
- Provisions for suspending
- Internally sealed to prevent recirculation
- Removable return air grille
- Adapts to T-bar ceiling grids or plaster ceilings

Transitions (Supply and Return)

- Used with diffusers
- Installs in roof curb
- Galvanized steel construction
- Flanges furnished for duct connection to diffusers
- Fully insulated

OPTIONAL CONVENTIONAL TEMPERATURE CONTROL SYSTEMS

Bacnet Compatible Thermostat With Reheat Function



- 7-Day Programmable
- For units with or without Dehumidification option
- BTL listed MS/TP ensures compatibility with any BACnet system
- Built-in control programs for conventional and heat pump applications
- Conventional systems up to 3-stage heat and 3-stage cool
- Heat pumps with 1 or 2 compressors and up to 2-stage auxiliary heat
- On-board temperature and humidity sensor
- Multiple configurable inputs and outputs enable advanced control strategies
- Set-up Wizard enables rapid system configuration
- No special tools required for installation or commissioning
- Seven-day (2, 4 or 6 event) occupancy scheduling per day
- Backlit 5-inch LCD touchscreen

Description	Model No.	Catalog No.
BACnet Controls	¹ 7-Day BACnet Thermostat	---
	² BACnet Module (factory or field)	KOCTRL31C-2
³ BACnet Room Sensors	With Display	K0SNSR01FF1
	Without Display	K0SNSR00FF1
BACnet Accessories	Plenum Cable (RJ45/CAT5 75 ft.)	K0MISC00FF1

¹ BACnet Thermostat (Y8241) will control units with and without Dehumidification option. If there is a mix of units equipped with and without Dehumidification on the same site, this thermostat can be used for all units if suitable.

² Not compatible with units equipped with Dehumidification option.

³ Only compatible with BACnet Module (16X72).

DEHUMIDIFICATION SYSTEM OPTION

OVERVIEW

NOTE - Not available with Eco-Last™ Coil System.
Conventional Fin/Tube condenser coil must be ordered as a factory option.

- Factory installed option designed to control humidity
- Provides dehumidification on demand using ASHRAE 90.1 recommended method for comfort conditioning humidity control
- Unit comes equipped with one row reheat coil, solenoid valve and humidity controller
- A thermostat with a dehumidification output, a dehumidistat, or a DDC controller with an isolated output is required to control humidity and must be located in the occupied space

BENEFITS

- Improves indoor air quality
- Helps prevent damage due to high humidity levels
- Improves comfort levels by reducing space humidity levels

OPERATION

No Dehumidification Demand

- The unit will operate conventionally whenever there is a demand for cooling or heating and no dehumidification demand
- Free cooling is only permitted when there is no demand for dehumidification

Dehumidification Demand Only

- Dehumidification is initiated by an output from a dehumidistat (furnished), an optional thermostat with a dehumidification output or an optional DDC controller with an isolated output to control humidity
- Reheat operation will initiate on a dehumidification demand and does not require a cooling demand
- The unit will operate in the dehumidification mode until the relative humidity of the conditioned space is below the setpoint
- This reduces sensible cooling capacity and extends compressor run time to control humidity when the cooling load is low
- A solenoid valve diverts hot gas from the compressor to the reheat coil
- The cooled and dehumidified air from the evaporator is reheated as it passes through the reheat coil
- The de-superheated and partially condensed refrigerant continues to the outdoor condenser coil where condensing is completed
- The unit will continue to operate in this mode until the dehumidification demand is satisfied

Dehumidistat Furnished

- Furnished for field installation
- Remote mounted dehumidistat for factory installed Dehumidification option
- Adjustable 20-80%

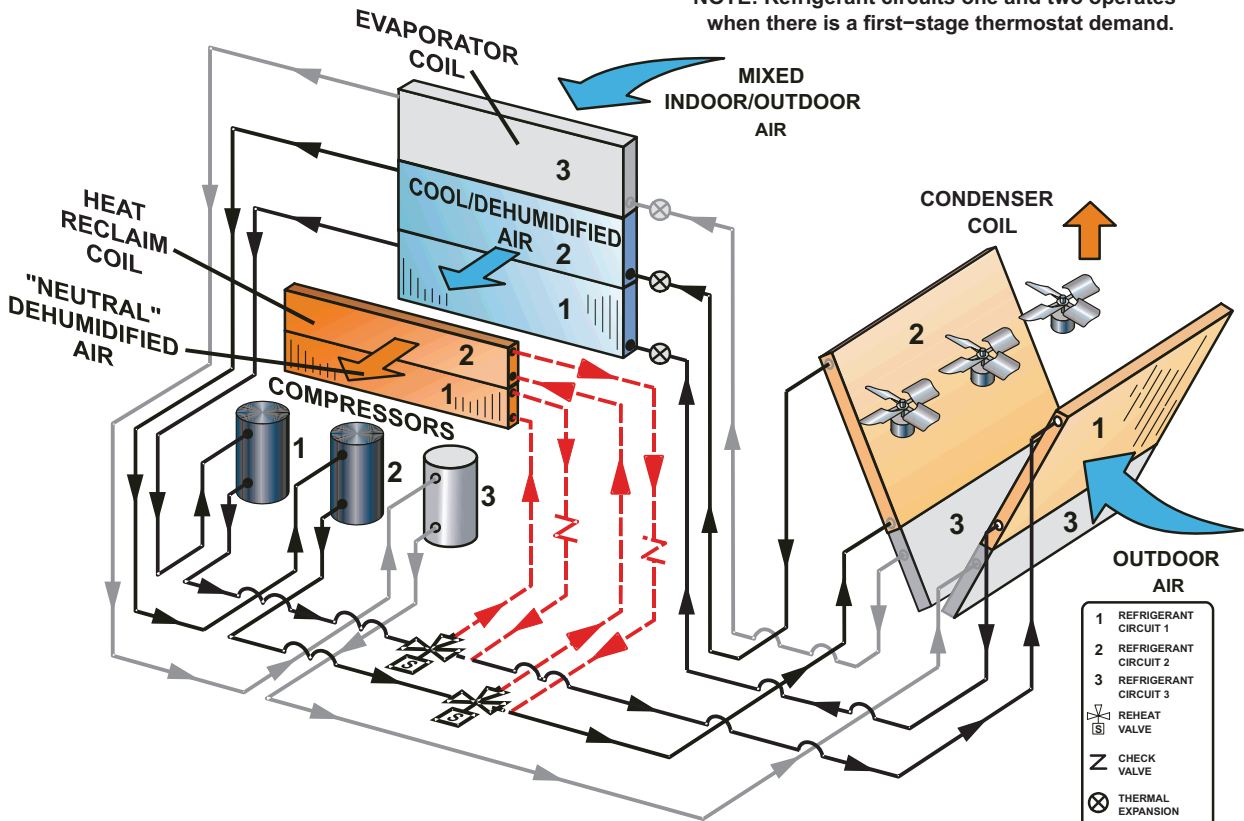
NOTE - A thermostat with a dehumidification output or a DDC controller with an isolated output can be used instead.

NOTE - See Conventional Thermostat Control Systems on page 11 for additional control options.

DEHUMIDIFICATION SYSTEM OPTION

REFRIGERANT SCHEMATIC (180S and 210S MODELS ONLY)

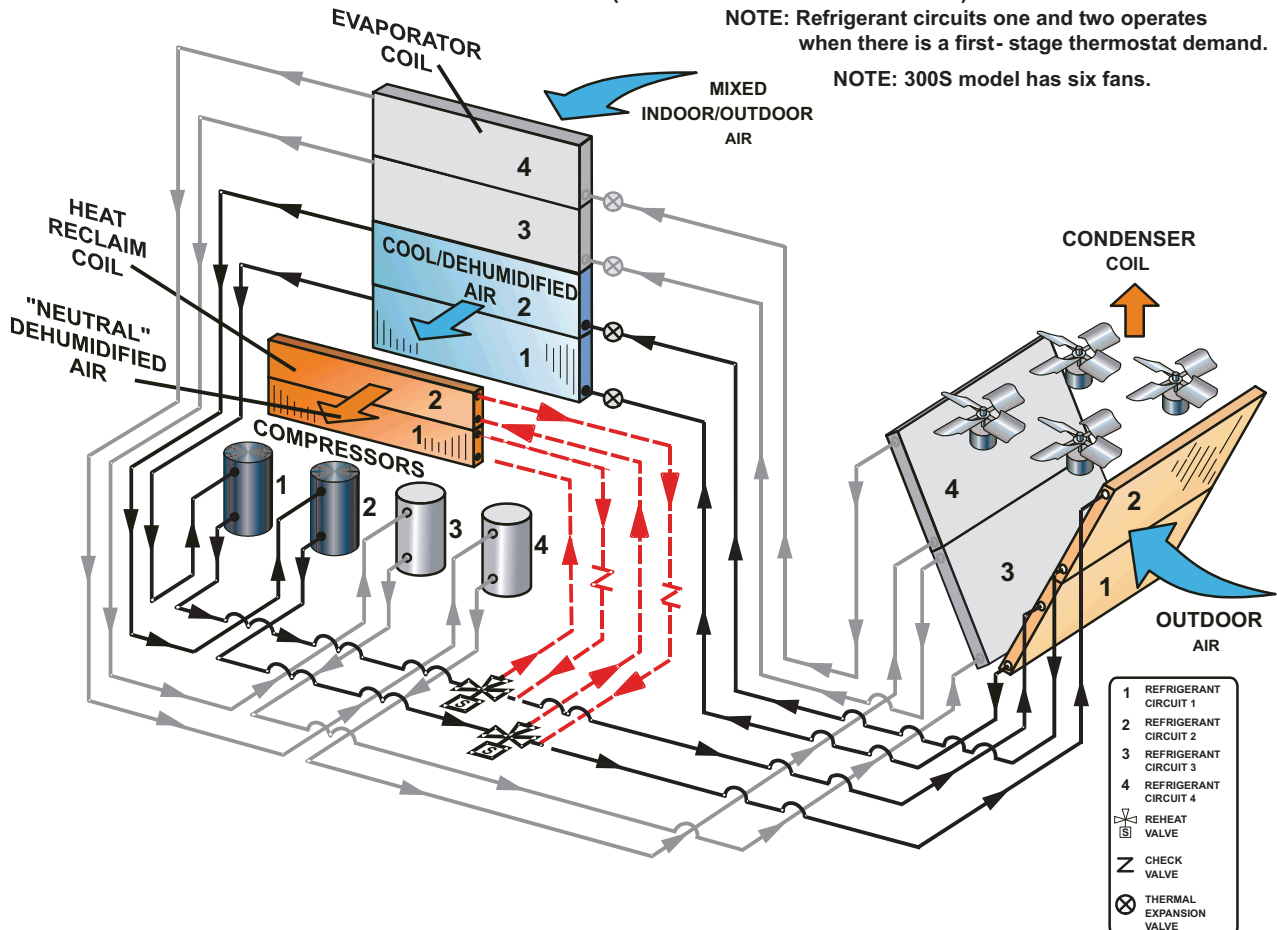
NOTE: Refrigerant circuits one and two operates when there is a first-stage thermostat demand.



REFRIGERANT SCHEMATIC (240S and 300S MODELS ONLY)

NOTE: Refrigerant circuits one and two operates when there is a first-stage thermostat demand.

NOTE: 300S model has six fans.



OPTIONS / ACCESSORIES

STANDARD AND HIGH EFFICIENCY MODELS

Item Description	Model Number	Catalog Number	Unit Model No.					
			KGA	KGA	KGA	KGA	KGA	
			156	180	210	240	300	
COOLING SYSTEM								
Condensate Drain Trap	PVC - C1TRAP20AD2	76W26	X	X	X	X	X	
	Copper - C1TRAP10AD2	76W27	X	X	X	X	X	
Corrosion Protection		Factory	O	O	O	O	O	
Drain Pan Overflow Switch	C1SNSR71FF1-	10C24	X	X	X	X	X	
Efficiency	Standard or High	Factory	O	O	O	O	O	
Refrigerant Type		R-410A	O	O	O	O	O	
HEATING SYSTEM								
Bottom Gas Piping Kit	C1GPKT01C-1	85M31	X	X	X	X	X	
Combustion Air Intake Extensions (order two)	LTACA1K10/15	89L97	X	X	X	X	X	
Gas Heat Input	Standard - 260,000 Btuh	Factory	O	O	O	O	O	
	Medium - 360,000 Btuh	Factory	O	O	O	O	O	
	High - 480,000 Btuh	Factory		O	O	O	O	
Low Temperature Vestibule Heater	208/230V-3ph - C1LTVH10C-2Y	13X66	X	X	X	X	X	
	460V - C1LTVH10C-2G	13X67	X	X	X	X	X	
	575V - C1LTVH10C-2J	13X68	X	X	X	X	X	
LPG/Propane Conversion Kits (Order 2 kits)	Standard heat - C1PROP25C11	14N28	X	X	X	X	X	
	Medium heat - C1PROP26C11	14N29	X	X	X	X	X	
	High heat - C1PROP27C11	14N30		X	X	X	X	
Stainless Steel Heat Exchanger		Factory	O	O	O	O	O	
Vertical Vent Extension Kit	C1EXTN20FF1	42W16	X	X	X	X	X	
BLOWER - SUPPLY AIR								
Blower Option	CAV (Constant Air Volume)	Factory	O	O	O	O	O	
	Single Zone VAV Supply	Factory	O	O	O	O	O	
Motors - Constant Air Volume (CAV)	Belt Drive (standard efficiency) - 2 hp	Factory	O					
	Belt Drive (standard efficiency) - 3 hp	Factory	O	O	O			
	Belt Drive (standard efficiency) - 5 hp	Factory	O	O	O	O	O	
	Belt Drive (standard efficiency) - 7.5 hp	Factory		O	O	O	O	
	Belt Drive (standard efficiency) - 10 hp	Factory				O	O	
Motors -Single Zone VAV Supply	Belt Drive (standard efficiency) - 2 hp	Factory	O					
	Belt Drive (standard efficiency) - 3 hp	Factory	O	O	O			
	Belt Drive (standard efficiency) - 5 hp	Factory	O	O	O	O	O	
	Belt Drive (standard efficiency) - 7.5 hp	Factory		O	O	O	O	
	Belt Drive (standard efficiency) - 10 hp	Factory				O	O	
VFD Manual Bypass Kit (for Single Zone VAV Supply equipped units)	2, 3, 5 hp (208/230V)	KVFDB11C-1	90W52	X	X	X	X	X
	2, 3, 5, 7.5, 10 hp (460V and 575V)							
	7.5, 10 hp (208/230V)	KVFDB10C-1	90W51		X	X	X	X
Drive Kits	Kit #1 535-725 rpm	Factory	O	O	O			
See Blower Data Tables for usage and selection	Kit #2 710-965 rpm	Factory	O	O	O			
	Kit #3 685-856 rpm	Factory	O	O	O	O	O	
	Kit #4 850-1045 rpm	Factory	O	O	O	O	O	
	Kit #5 945-1185 rpm	Factory	O	O	O	O	O	
	Kit #6 850-1045 rpm	Factory		O	O	O	O	
	Kit #7 945-1185 rpm	Factory		O	O	O	O	
	Kit #8 1045-1285 rpm	Factory		O	O	O	O	
	Kit #10 1045-1285 rpm	Factory				O	O	
	Kit #11 1135-1365 rpm	Factory				O	O	

NOTE - Catalog and model numbers shown are for ordering field installed accessories.

OX - Configure To Order (Factory Installed) or Field Installed

O = Configure To Order (Factory Installed)

X = Field Installed

OPTIONS / ACCESSORIES

STANDARD AND HIGH EFFICIENCY MODELS

Item Description	Model Number	Catalog Number	Unit Model No.					
			KGA 156	KGA 180	KGA 210	KGA 240	KGA 300	
CABINET								
Hinged Access Panels		Factory	O	O	O	O	O	
CONTROLS								
NOTE - Also see Conventional Thermostat Control Systems page 11 for Additional Options.								
Smoke Detector - Supply or Return (Power board and one sensor)	C1SNSR44C-1	83W40	X	X	X	X	X	
Smoke Detector - Supply and Return (Power board and two sensors)	C1SNSR43C-1	83W41	X	X	X	X	X	
ELECTRICAL								
Voltage 60 hz	208/230V - 3 phase	Factory	O	O	O	O	O	
	460V - 3 phase	Factory	O	O	O	O	O	
	575V - 3 phase	Factory	O	O	O	O	O	
Disconnect Switch (see Disconnect Table for usage, page 40)	80 amp - K1DISC080C-1	54W91	OX	OX	OX	OX	OX	
	150 amp - K1DISC150C-1	54W92	OX	OX	OX	OX	OX	
	250 amp - K1DISC250C-1	54W93					OX	
GFI Service Outlets	15 amp non-powered, field-wired (208/230V, 460V only)	LTAGFIK10/15	74M70	X	OX	OX	OX	OX
	20 amp non-powered, field-wired (575V only)	C1GFCI20FF1	67E01	X	X	X	X	X
Weatherproof Cover for GFI	C1GFCI99FF1	10C89	X	X	X	X	X	
¹ Phase Monitor	C1PHZM01FF1	10C25	X	X	X	X	X	
INDOOR AIR QUALITY								
Air Filters								
High Efficiency Air Filters 24 x 24 x 2 in. (Order 6 per unit)	MERV 8 - C1FLTR15C-1-	54W67	X	X	X	X	X	
	MERV 13 - C1FLTR40C-1-	52W40	X	X	X	X	X	
Replacement Media Filter With Metal Mesh Frame (includes non-pleated filter media)	C1FLTR30C-1-	44N61	X	X	X	X	X	
Indoor Air Quality (CO2) Sensors								
Sensor - Wall-mount, off-white plastic cover with LCD display	C0SNSR50AE1L	77N39	X	X	X	X	X	
Sensor - Wall-mount, off-white plastic cover, no display	C0SNSR52AE1L	87N53	X	X	X	X	X	
Sensor - Black plastic case with LCD display, rated for plenum mounting	C0SNSR51AE1L	87N52	X	X	X	X	X	
Sensor - Wall-mount, black plastic case, no display, rated for plenum mounting	C0MISC19AE1	87N54	X	X	X	X	X	
CO2 Sensor Duct Mounting Kit - for downflow applications	C0MISC19AE1	85L43	X	X	X	X	X	
Aspiration Box - for duct mounting non-plenum rated CO2 sensors (87N53 or 77N39)	C0MISC16AE1-	90N43	X	X	X	X	X	
² UVC Germicidal Light Kit								
UVC Light Kit (110/230V-1ph)	C1UVCL10C-1	54W65	X	X	X	X	X	

¹ Factory installed on all Single Zone VAV equipped units.

² Lamps operate on 110-230V single-phase power supply. Step-down transformer must be field supplied for field installation in 460V and 575V rooftop units (transformer is furnished for factory installed light kits). Alternately, a separate 110V power supply may be used to directly power the UVC ballast(s)

NOTE - Catalog and model numbers shown are for ordering field installed accessories.

OX - Configure To Order (Factory Installed) or Field Installed

O = Configure To Order (Factory Installed)

X = Field Installed

OPTIONS / ACCESSORIES

STANDARD AND HIGH EFFICIENCY MODELS

Item Description	Model Number	Catalog Number	Unit Model No.				
			KGA 156	KGA 180	KGA 210	KGA 240	KGA 300
ECONOMIZER							
Standard Economizer With Outdoor Air Hood (Not for Title 24)							
Standard Economizer Downflow or Horizontal Applications - Includes Outdoor Air Hood, order Downflow or Horizontal Barometric Relief Dampers separately	K1ECON20C-3	13U48	OX	OX	OX	OX	OX
Standard Economizer Controls (Not for Title 24)							
Single Enthalpy Control	C1SNSR64FF1	53W64	OX	OX	OX	OX	OX
Differential Enthalpy Control (order 2)	C1SNSR64FF1	53W64	X	X	X	X	X
High Performance Economizer With Outdoor Air Hood (Approved for California Title 24 Building Standards / AMCA Class 1A Certified)							
High Performance Economizer Downflow or Horizontal Applications - Includes Outdoor Air Hood, order Downflow or Horizontal Barometric Relief Dampers separately	K1ECON22C-3	16Y99	OX	OX	OX	OX	OX
High Performance Economizer Controls (Not for Title 24)							
Single Enthalpy Control	C1SNSR60FF1	10Z75	OX	OX	OX	OX	OX
Differential Enthalpy Control (order 2)	C1SNSR60FF1	10Z75	X	X	X	X	X
Barometric Relief Dampers With Exhaust Hood							
Downflow Barometric Relief Dampers	C1DAMP50C	54W78	OX	OX	OX	OX	OX
Horizontal Barometric Relief Dampers	LAGEDH18/24	16K99	X	X	X	X	X
OUTDOOR AIR							
Outdoor Air Dampers With Outdoor Air Hood							
Motorized	C1DAMP20C-1	13U04	OX	OX	OX	OX	OX
Manual	C1DAMP10C-2	13U05	OX	OX	OX	OX	OX
POWER EXHAUST (DOWNFLOW APPLICATIONS ONLY)							
Standard Static	208/230V - C1PWRE11C-1Y	75W90	X	X	X	X	X
	460V - C1PWRE11C-1G	75W91	X	X	X	X	X
	575V - C1PWRE11C-1J	75W92	X	X	X	X	X
ROOF CURBS							
Hybrid Roof Curbs, Downflow							
8 in. height	C1CURB70C-1	11F58	X	X	X	X	X
14 in. height	C1CURB71C-1	11F59	X	X	X	X	X
18 in. height	C1CURB72C-1	11F60	X	X	X	X	X
24 in. height	C1CURB73C-1	11F61	X	X	X	X	X
Adjustable Pitch Curb							
14 in. height	L1CURB55C	43W26	X	X	X	X	X
Standard Roof Curbs, Horizontal - Requires Horizontal Return Air Panel Kit							
26 in. height - slab applications	C1CURB14C-1	11T89	X	X	X	X	
30 in. height - slab applications	C1CURB15C-1	11T90					X
37 in. height - rooftop applications	C1CURB16C-1	11T96	X	X	X	X	
41 in. height - rooftop applications	C1CURB17C-1	11T97					X
Insulation Kit For Standard Horizontal Curbs							
for C1CURB14C-1	C1INSU11C-1-	73K32	X	X	X	X	
for C1CURB15C-1	C1INSU12C-1-	73K33					X
for C1CURB16C-1	C1INSU13C-1-	73K34	X	X	X	X	
for C1CURB17C-1	C1INSU14C-1-	73K35					X
Horizontal Return Air Panel Kit							
Required for Horizontal Applications with Roof Curb	C1HRAP10C-1-	87M00	X	X	X	X	X
CEILING DIFFUSERS							
Step-Down - Order one	RTD11-185S	13K63	X	X			
	RTD11-275S	13K64			X	X	X
Flush - Order one	FD11-185S	13K58	X	X			
	FD11-275S	13K59			X	X	X
Transitions (Supply and Return) - Order one	C1DIFF33C-1	12X68	X	X			
	C1DIFF34C-1	12X70			X	X	X

NOTE - Catalog and model numbers shown are for ordering field installed accessories.

OX - Configure To Order (Factory Installed) or Field Installed

O = Configure To Order (Factory Installed)

X = Field Installed

OPTIONS / ACCESSORIES

STANDARD EFFICIENCY MODELS ONLY

Item Description	Model Number	Catalog Number	Unit Model No.			
			KGB 180S	KGB 210S	KGB 240S	KGB 300S
COOLING SYSTEM						
Conventional Fin/Tube Condenser Coil (replaces Eco-Last™ Coil System) (Required for Dehumidification option)		Factory	O	O	O	O
Low Ambient Control	30°F - K1LOAM53C11	10T63	X	X		
	30°F - K1LOAM53C21	10T64			X	
	30°F - K1LOAM54C21	10T65				X
	0°F - K1LOAM63C11	18B95	X	X		
	0°F - K1LOAM63C21	18B96			X	
	0°F - K1LOAM64C31	18B98				X

CABINET

Combination Coil/Hail Guards	Eco-Last™ Coil System - C1GARD52C12	15T92	X	X		
	Eco-Last™ Coil System - C1GARD52C22	15T93			X	X
	Conventional Fin/Tube Condenser Coil - C1GARD51C11	13T08	X	X		
	Conventional Fin/Tube Condenser Coil - C1GARD51C21	13T12			X	X

dehumidification CONDENSER REHEAT OPTION

Dehumidification Option		Factory	O	O	O	O
¹ Dehumidistat, Remote Mounted	C0SNSR30FF1L	99N41	X	X	X	X

¹ A thermostat with a dehumidification output or a DDC controller with an isolated output can be used instead.

NOTE - Catalog and model numbers shown are for ordering field installed accessories.

OX - Configure To Order (Factory Installed) or Field Installed

O = Configure To Order (Factory Installed)

X = Field Installed

OPTIONS / ACCESSORIES -

HIGH EFFICIENCY MODELS ONLY

Item Description	Model Number	Catalog Number	Unit Model No.			
			KGA 156H	KGA 180H	KGA 210H	KGA 240H
COOLING SYSTEM						
Low Ambient Control	30°F - K1LOAM53C11	10T63	X			
	30°F - K1LOAM53C21	10T64		X	X	
	30°F - K1LOAM54C21	10T65				X
	0°F - K1LOAM63C11	18B95	X			
	0°F - K1LOAM63C21	18B96		X		
	0°F - K1LOAM63C31	18B97			X	
	0°F - K1LOAM64C31	18B98				X

CABINET

Combination Coil/Hail Guards	Eco-Last™ Coil System - C1GARD52C12	15T92	X			
	Eco-Last™ Coil System - C1GARD52C22	15T93		X	X	X
	Conventional Fin/Tube Condenser Coil - C1GARD51C11	13T08	X			
	Conventional Fin/Tube Condenser Coil - C1GARD51C21	13T12		X	X	X

NOTE - Catalog and model numbers shown are for ordering field installed accessories.

OX - Configure To Order (Factory Installed) or Field Installed

O = Configure To Order (Factory Installed)

X = Field Installed

SPECIFICATIONS - STANDARD EFFICIENCY

General Data		Nominal Tonnage	15 Ton	15 Ton	17.5 Ton	17.5 Ton		
		Model Number	KGB180S4B	KGB180S4M	KGB210S4B	KGB210S4M		
		Efficiency Type	Standard	Standard	Standard	Standard		
		Blower Type	CAV (Constant Air Volume)	Single Zone VAV Supply Fan	CAV (Constant Air Volume)	Single Zone VAV Supply Fan		
Cooling Performance	Gross Cooling Capacity - Btuh		182,000	182,000	206,000	206,000		
	¹ Net Cooling Capacity - Btuh		176,000	176,000	200,000	200,000		
	AHRI Rated Air Flow - cfm		6000	6000	5700	5700		
	Total Unit Power - kW		16.3	16.3	18.5	18.5		
	¹ EER (Btuh/Watt)		10.8	10.8	10.8	10.8		
	² IEER (Btuh/Watt)		12.2	13.6	12.2	13.3		
Refrigerant Charge		Refrigerant Type	R-410A	R-410A	R-410A	R-410A		
Eco-Last™ Coil System		Circuit 1	5 lbs. 14 oz.	5 lbs. 14 oz.	6 lbs. 8 oz.	6 lbs. 8 oz.		
		Circuit 2	5 lbs. 11 oz.	5 lbs. 11 oz.	6 lbs. 4 oz.	6 lbs. 4 oz.		
		Circuit 3	5 lbs. 13 oz.	5 lbs. 13 oz.	6 lbs. 2 oz.	6 lbs. 2 oz.		
		Conventional Fin/Tube Coil Option		Circuit 1	12 lbs. 7 oz.	12 lbs. 7 oz.	11 lbs. 0 oz.	11 lbs. 0 oz.
				Circuit 2	12 lbs. 0 oz.	12 lbs. 0 oz.	11 lbs. 0 oz.	11 lbs. 0 oz.
				Circuit 3	11 lbs. 3 oz.	11 lbs. 3 oz.	11 lbs. 0 oz.	11 lbs. 0 oz.
		Conventional Fin/Tube with Dehumidification Option		Circuit 1	12 lbs. 10 oz.	12 lbs. 10 oz.	10 lbs. 10 oz.	10 lbs. 10 oz.
				Circuit 2	12 lbs. 10 oz.	12 lbs. 10 oz.	10 lbs. 15 oz.	10 lbs. 15 oz.
				Circuit 3	11 lbs. 12 oz.	11 lbs. 12 oz.	10 lbs. 7 oz.	10 lbs. 7 oz.
Gas Heat Available		See page 22						
Compressor Type (number)			Scroll (3)	Scroll (2)	Scroll (3)	Scroll (3)		
Outdoor Coils		Net face area (total) - sq. ft.	41.4	41.4	41.4	41.4		
Dehumidification (Fin/Tube)		Number of rows	1 (2)	1 (2)	1 (2)	1 (2)		
		Fins per inch	23 (20)	23 (20)	23 (20)	23 (20)		
Outdoor Coil Fans		Motor - (No.) horsepower	(3) 1/3	(3) 1/3	(3) 1/3	(3) 1/3		
		Motor rpm	1075	1075	1075	1075		
		Total Motor watts	1100	1100	1100	1100		
		Diameter - (No.) in.	(3) 24	(3) 24	(3) 24	(3) 24		
		Number of blades	3	3	3	3		
		Total Air volume - cfm	12,000	12,000	12,000	12,000		
Indoor Coils		Net face area (total) - sq. ft.	21.4	21.4	21.4	21.4		
		Tube diameter - in.	3/8	3/8	3/8	3/8		
		Number of rows	3	3	4	4		
		Fins per inch	14	14	14	14		
		Drain connection - No. and size	(1) 1 in. FPT	(1) 1 in. FPT	(1) 1 in. FPT	(1) 1 in. FPT		
		Expansion device type	Refrigerant Metering Orifice (RFC) - No Dehumidification Option Balanced port TXV, removable head - Dehumidification Option					
³ Indoor Blower and Drive Selection		Nominal motor output	3 hp, 5 hp, 7.5 hp					
		Maximum usable motor output (US Only)	3.45 hp, 5.75 hp, 8.63 hp					
		Motor - Drive kit number	3 hp Kit 1 535-725 rpm Kit 2 710-965 rpm 5 hp Kit 3 685-856 rpm Kit 4 850-1045 rpm Kit 5 945-1185 rpm 7.5 hp Kit 6 850-1045 rpm Kit 7 945-1185 rpm Kit 8 1045-1285 rpm					
		Blower wheel nominal diameter x width - in.	(2) 15 x 15	(2) 15 x 15	(2) 15 x 15	(2) 15 x 15		
Filters		Type of filter	Fiberglass, disposable					
		Number and size - in.	(6) 24 x 24 x 2					
Electrical characteristics			208/230V, 460V or 575V - 60 hertz - 3 phase					

NOTE - Net capacity includes evaporator blower motor heat deduction. Gross capacity does not include evaporator blower motor heat deduction.

¹ AHRI Certified to AHRI Standard 340/360; 95°F outdoor air temperature and 80°F db/67°F wb entering evaporator air; minimum external duct static pressure.

² Integrated Energy Efficiency Ratio tested according to AHRI Standard 340/360.

³ Using total air volume and system static pressure requirements determine from blower performance tables rpm and motor output required. Maximum usable output of motors furnished are shown. In Canada, nominal motor output is also maximum usable motor output. If motors of comparable output are used, be sure to keep within the service factor limitations outlined on the motor nameplate.

NOTE - Units equipped with Single Zone VAV Supply Fan option are limited to a motor service factor of 1.0.

SPECIFICATIONS - STANDARD EFFICIENCY

General Data		Nominal Tonnage	20 Ton	20 Ton	25 Ton	25 Ton
		Model Number	KGB240S4B	KGB240S4M	KGB300S4B	KGB300S4M
		Efficiency Type	Standard	Standard	Standard	Standard
		Blower Type	CAV (Constant Air Volume)	Single Zone VAV Supply Fan	CAV (Constant Air Volume)	Single Zone VAV Supply Fan
Cooling Performance	Gross Cooling Capacity - Btuh		236,000	236,000	282,000	282,000
	¹ Net Cooling Capacity - Btuh		230,000	230,000	270,000	270,000
	AHRI Rated Air Flow - cfm		6000	6000	8400	8400
	Total Unit Power - kW		21.3	21.3	25.7	25.7
	¹ EER (Btuh/Watt)		10.8	10.8	10.5	10.5
	² IEER (Btuh/Watt)		12.2	13.4	11.4	13.8
Refrigerant Charge	Refrigerant Type		R-410A	R-410A	R-410A	R-410A
	Eco-Last™ Coil System	Circuit 1	7 lbs. 0 oz.	7 lbs. 0 oz.	6 lbs. 4 oz.	6 lbs. 4 oz.
		Circuit 2	6 lbs. 15 oz.	6 lbs. 15 oz.	5 lbs. 10 oz.	5 lbs. 10 oz.
		Circuit 3	6 lbs. 12 oz.	6 lbs. 12 oz.	6 lbs. 6 oz.	6 lbs. 6 oz.
		Circuit 4	---	---	6 lbs. 0 oz.	6 lbs. 0 oz.
	Conventional Fin/Tube Coil Option	Circuit 1	14 lbs. 0 oz.	14 lbs. 0 oz.	10 lbs. 8 oz.	10 lbs. 8 oz.
		Circuit 2	13 lbs. 12 oz.	13 lbs. 12 oz.	10 lbs. 0 oz.	10 lbs. 0 oz.
		Circuit 3	12 lbs. 0 oz.	12 lbs. 0 oz.	9 lbs. 12 oz.	9 lbs. 12 oz.
		Circuit 4	---	---	9 lbs. 12 oz.	9 lbs. 12 oz.
	Conventional Fin/Tube with Dehumidification Option	Circuit 1	14 lbs. 10 oz.	14 lbs. 10 oz.	12 lbs. 12 oz.	12 lbs. 12 oz.
		Circuit 2	13 lbs. 4 oz.	13 lbs. 4 oz.	11 lbs. 12 oz.	11 lbs. 12 oz.
		Circuit 3	12 lbs. 14 oz.	12 lbs. 14 oz.	9 lbs. 12 oz.	9 lbs. 12 oz.
		Circuit 4	---	---	9 lbs. 12 oz.	9 lbs. 12 oz.
	Gas Heat Available		See page 22			
	Compressor Type (number)		Scroll (3)	Scroll (3)	Scroll (4)	Scroll (4)
	Outdoor Coils Dehumidification (Fin/Tube)	Net face area (total) - sq. ft.	55.2	55.2	55.2	55.2
Number of rows		1 (2)	1 (2)	1 (2)	1 (2)	
Fins per inch		23 (20)	23 (20)	23 (20)	23 (20)	
Outdoor Coil Fans	Motor - (No.) horsepower	(4) 1/3	(4) 1/3	(6) 1/3	(6) 1/3	
	Motor rpm	1075	1075	1075	1075	
	Total Motor watts	1665	1665	1950	1950	
	Diameter - (No.) in.	(4) 24	(4) 24	(6) 24	(6) 24	
	Number of blades	3	3	3	3	
	Total Air volume - cfm	16,000	16,000	20,000	20,000	
Indoor Coils	Net face area (total) - sq. ft.	21.4	21.4	21.4	21.4	
	Tube diameter - in.	3/8	3/8	3/8	3/8	
	Number of rows	4	4	4	4	
	Fins per inch	14	14	14	14	
	Drain connection - No. and size	(1) 1 in. FPT	(1) 1 in. FPT	(1) 1 in. FPT	(1) 1 in. FPT	
	Expansion device type	Refrigerant Metering Orifice (RFC) - No Dehumidification Option Balanced port TXV, removable head -Dehumidification Option				
³ Indoor Blower and Drive Selection	Nominal motor output	5 hp, 7.5 hp, 10 hp				
	Maximum usable motor output (US Only)	5.75 hp, 8.62 hp, 11.5 hp				
	Motor - Drive kit number	5 hp Kit 3 685-856 rpm Kit 4 850-1045 rpm Kit 5 945-1185 rpm 7.5 hp Kit 6 850-1045 rpm Kit 7 945-1185 rpm Kit 8 1045-1285 rpm 10 hp Kit 7 945-1185 rpm Kit 10 1045-1285 rpm Kit 11 1135-1365 rpm				
Blower wheel nominal diameter x width - in.		(2) 15 x 15	(2) 15 x 15	(2) 15 x 15	(2) 15 x 15	
Filters	Type of filter	Fiberglass, disposable				
	Number and size - in.	(6) 24 x 24 x 2				
Electrical characteristics		208/230V, 460V or 575V - 60 hertz - 3 phase				

NOTE - Net capacity includes evaporator blower motor heat deduction. Gross capacity does not include evaporator blower motor heat deduction.

¹ AHRI Certified to AHRI Standard 340/360; 95°F outdoor air temperature and 80°F db/67°F wb entering evaporator air; minimum external duct static pressure.

² Integrated Energy Efficiency Ratio tested according to AHRI Standard 340/360.

³ Using total air volume and system static pressure requirements determine from blower performance tables rpm and motor output required. Maximum usable output of motors furnished are shown. In Canada, nominal motor output is also maximum usable motor output. If motors of comparable output are used, be sure to keep within the service factor limitations outlined on the motor nameplate.

NOTE - Units equipped with Single Zone VAV Supply Fan option are limited to a motor service factor of 1.0.

SPECIFICATIONS - HIGH EFFICIENCY

General Data		Nominal Tonnage	13 Ton	13 Ton	15 Ton	15 Ton
		Model Number	KGA156H4B	KGA156H4M	KGA180H4B	KGA180H4M
		Efficiency Type	High	High	High	High
		Blower Type	CAV (Constant Air Volume)	Single Zone VAV Supply Fan	CAV (Constant Air Volume)	Single Zone VAV Supply Fan
Cooling Performance	Gross Cooling Capacity - Btuh		154,000	154,000	176,000	176,000
	¹ Net Cooling Capacity - Btuh		150,000	150,000	172,000	172,000
	AHRI Rated Air Flow - cfm		5000	5000	5250	5250
	Total Unit Power - kW		12.5	12.5	14.3	14.3
	¹ EER (Btuh/Watt)		12.0	12.0	12.0	12.0
	² IEER (Btuh/Watt)		13.2	14.1	13.5	13.7
Refrigerant Charge	Refrigerant Type		R-410A	R-410A	R-410A	R-410A
	Circuit 1		5 lbs. 12 oz.	5 lbs. 12 oz.	6 lbs. 0 oz.	6 lbs. 0 oz.
	Circuit 2		5 lbs. 4 oz.	5 lbs. 4 oz.	5 lbs. 10 oz.	5 lbs. 10 oz.
	Circuit 3		5 lbs. 10 oz.	5 lbs. 10 oz.	5 lbs. 14 oz.	5 lbs. 14 oz.
Gas Heat Available			See page 22			
Compressor Type (number)			Scroll (3)	Scroll (3)	Scroll (3)	Scroll (3)
Outdoor Coils	Net face area (total) - sq. ft.		41.4	41.4	55.2	55.2
	Number of rows		1	1	1	1
	Fins per inch		23	23	23	23
Outdoor Coil Fans	Motor - (No.) horsepower		(3) 1/3	(3) 1/3	(4) 1/3	(4) 1/3
	Motor rpm		1075	1075	1075	1075
	Total Motor watts		1100	1100	1500	1500
	Diameter - (No.) in.		(3) 24	(3) 24	(4) 24	(4) 24
	Number of blades		3	3	3	3
	Total Air volume - cfm		12,000	12,000	16,000	16,000
Indoor Coils	Net face area (total) - sq. ft.		21.4	21.4	21.4	21.4
	Tube diameter - in.		3/8	3/8	3/8	3/8
	Number of rows		3	3	3	3
	Fins per inch		14	14	14	14
	Drain connection - No. and size		(1) 1 in. FPT	(1) 1 in. FPT	(1) 1 in. FPT	(1) 1 in. FPT
Expansion device type			Balanced port TXV, removable head			
³ Indoor Blower and Drive Selection	Nominal motor output		2 hp, 3 hp, 5 hp		3 hp, 5 hp, 7.5 hp	
	Maximum usable motor output (US Only)		2.3 hp, 3.45 hp, 5.75 hp		3.45 hp, 5.75 hp, 8.62 hp	
	Motor - Drive kit number		2 hp Kit 1 535-725 rpm Kit 2 710-965 rpm 3 hp Kit 1 535-725 rpm Kit 2 710-965 rpm 5 hp Kit 3 685-856 rpm Kit 4 850-1045 rpm Kit 5 945-1185 rpm		3 hp Kit 1 535-725 rpm Kit 2 710-965 rpm 5 hp Kit 3 685-856 rpm Kit 4 850-1045 rpm Kit 5 945-1185 rpm 7.5 hp Kit 6 850-1045 rpm Kit 7 945-1185 rpm Kit 8 1045-1285 rpm	
Blower wheel nominal diameter x width - in.			(2) 15 x 15	(2) 15 x 15	(2) 15 x 15	(2) 15 x 15
Filters	Type of filter		Fiberglass, disposable			
	Number and size - in.		(6) 24 x 24 x 2			
Electrical characteristics			208/230V, 460V or 575V - 60 hertz - 3 phase			

NOTE - Net capacity includes evaporator blower motor heat deduction. Gross capacity does not include evaporator blower motor heat deduction.

¹ AHRI Certified to AHRI Standard 340/360; 95°F outdoor air temperature and 80°F db/67°F wb entering evaporator air; minimum external duct static pressure.

² Integrated Energy Efficiency Ratio tested according to AHRI Standard 340/360.

³ Using total air volume and system static pressure requirements determine from blower performance tables rpm and motor output required. Maximum usable output of motors furnished are shown. In Canada, nominal motor output is also maximum usable motor output. If motors of comparable output are used, be sure to keep within the service factor limitations outlined on the motor nameplate.

NOTE - Units equipped with Single Zone VAV Supply Fan option are limited to a motor service factor of 1.0.

SPECIFICATIONS - high EFFICIENCY

General Data		Nominal Tonnage	17.5 Ton	17.5 Ton	20 Ton	20 Ton
		Model Number	KGA210H4B	KGA210H4M	KGA240H4B	KGA240H4M
		Efficiency Type	High	High	High	High
		Blower Type	CAV (Constant Air Volume)	Single Zone VAV Supply Fan	CAV (Constant Air Volume)	Single Zone VAV Supply Fan
Cooling Performance	Gross Cooling Capacity - Btuh		204,000	204,000	238,000	238,000
	¹ Net Cooling Capacity - Btuh		194,000	194,000	230,000	230,000
	AHRI Rated Air Flow - cfm		6125	6125	6400	6400
	Total Unit Power - kW		16.5	16.5	19.2	19.2
	¹ EER (Btuh/Watt)		12.0	12.0	12.0	12.0
	² IEER (Btuh/Watt)		13.0	14.0	13.2	14.5
Refrigerant Charge	Refrigerant Type		R-410A	R-410A	R-410A	R-410A
	Circuit 1		6 lbs. 12 oz.	6 lbs. 12 oz.	6 lbs. 4 oz.	6 lbs. 4 oz.
	Circuit 2		6 lbs. 14 oz.	6 lbs. 14 oz.	6 lbs. 2 oz.	6 lbs. 2 oz.
	Circuit 3		6 lbs. 14 oz.	6 lbs. 14 oz.	5 lbs. 14 oz.	5 lbs. 14 oz.
	Circuit 4		---	---	5 lbs. 6 oz.	5 lbs. 6 oz.
Gas Heat Available		See page 22				
Compressor Type (number)			Scroll (3)	Scroll (3)	Scroll (4)	Scroll (4)
Outdoor Coils	Net face area (total) - sq. ft.		55.2	55.2	55.2	55.2
	Number of rows		1	1	1	1
	Fins per inch		23	23	23	23
Outdoor Coil Fans	Motor - (No.) horsepower		(6) 1/3	(6) 1/3	(6) 1/3	(6) 1/3
	Motor rpm		1075	1075	1075	1075
	Total Motor watts		1950	1950	1950	1950
	Diameter - (No.) in.		(6) 24	(6) 24	(6) 24	(6) 24
	Number of blades		3	3	3	3
	Total Air volume - cfm		20,000	20,000	20,000	20,000
Indoor Coils	Net face area (total) - sq. ft.		21.4	21.4	21.4	21.4
	Tube diameter - in.		3/8	3/8	3/8	3/8
	Number of rows		4	4	4	4
	Fins per inch		14	14	14	14
	Drain connection - No. and size		(1) 1 in. FPT	(1) 1 in. FPT	(1) 1 in. FPT	(1) 1 in. FPT
Expansion device type		Balanced port TXV, removable head				
³ Indoor Blower and Drive Selection	Nominal motor output		3 hp, 5 hp, 7.5 hp		5 hp, 7.5 hp, 10hp	
	Maximum usable motor output (US Only)		3.45 hp, 5.75 hp, 8.62 hp		5.75 hp, 8.62 hp, 11.5 hp	
	Motor - Drive kit number		3 hp Kit 1 535-725 rpm Kit 2 710-965 rpm 5 hp Kit 3 685-856 rpm Kit 4 850-1045 rpm Kit 5 945-1185 rpm 7.5 hp Kit 6 850-1045 rpm Kit 7 945-1185 rpm Kit 8 1045-1285 rpm		5 hp Kit 3 685-856 rpm Kit 4 850-1045 rpm Kit 5 945-1185 rpm 7.5 hp Kit 6 850-1045 rpm Kit 7 945-1185 rpm Kit 8 1045-1285 rpm 10 hp Kit 7 945-1185 rpm Kit 10 1045-1285 rpm Kit 11 1135-1365 rpm	
Blower wheel nominal diameter x width - in.			(2) 15 x 15	(2) 15 x 15	(2) 15 x 15	(2) 15 x 15
Filters	Type of filter	Fiberglass, disposable				
	Number and size - in.	(6) 24 x 24 x 2				
Electrical characteristics		208/230V, 460V or 575V - 60 hertz - 3 phase				

NOTE - Net capacity includes evaporator blower motor heat deduction. Gross capacity does not include evaporator blower motor heat deduction.

¹ AHRI Certified to AHRI Standard 340/360; 95°F outdoor air temperature and 80°F db/67°F wb entering evaporator air; minimum external duct static pressure.

² Integrated Energy Efficiency Ratio tested according to AHRI Standard 340/360.

³ Using total air volume and system static pressure requirements determine from blower performance tables rpm and motor output required. Maximum usable output of motors furnished are shown. In Canada, nominal motor output is also maximum usable motor output. If motors of comparable output are used, be sure to keep within the service factor limitations outlined on the motor nameplate.

NOTE - Units equipped with Single Zone VAV Supply Fan option are limited to a motor service factor of 1.0.

SPECIFICATIONS - GAS HEAT

Usage Data		Model Number	KGA156 KGA/KGB180 KGA/KGB210 KGA/KGB240 KGB300		KGA/KGB180 KGA/KGB210 KGA/KGB240 KGB300
		Heat Input Type	Standard (S)	Medium (M)	High (H)
		Number of Gas Heat Stages	2	2	2
Gas Heating Performance	Input - Btuh	First Stage	169,000	234,000	312,000
		Second Stage	260,000	360,000	480,000
	Output - Btuh	First Stage	---	---	---
		Second Stage	208,000	288,000	384,000
		Temperature Rise Range - °F	15 - 45	30 - 60	40 - 70
		Thermal Efficiency	80.0%	80.0%	80.0%
		Gas Supply Connections	1 in. npt	1 in. npt	1 in. npt
Recommended Gas Supply Pressure - in. w.g.	Natural		7	7	7
	LPG/Propane		11	11	11

HIGH ALTITUDE DERATE

Units may be installed at altitudes up to 2000 feet above sea level without any modification.

At altitudes above 2000 feet, units must be derated to match gas manifold pressures shown in table below.

At altitudes above 2000 feet unit must be derated to match gas manifold pressures shown in the table below.

NOTE - This is the only permissible derate for these units.

Gas Heat Type	Altitude - ft.	Gas Manifold Pressure - in. w.g.		Input Rate Natural Gas or LPG/Propane - Btuh	
		Natural Gas	LPG/Propane Gas	First Stage	Second Stage
Standard	2001 - 4500	3.4	9.6	169,000	249,000
Medium	2001 - 4500	3.4	9.6	234,000	345,000
High	2001 - 4500	3.4	9.6	312,000	460,000

NOTE - For Temperatures and Capacities not shown in tables, see bulletin - Cooling Unit Rating Table Correction Factor Data in Miscellaneous Engineering Data section.

20 TON HIGH EFFICIENCY KGA240H4B (1ST STAGE) - CONSTANT AIR VOLUME

Table with 19 columns: Entering Wet Bulb Temperature, Total Air Volume, and performance metrics for outdoor air temperatures of 65°F, 75°F, 85°F, and 95°F.

20 TON HIGH EFFICIENCY KGA240H4B (2ND STAGE) - CONSTANT AIR VOLUME

Table with 19 columns: Entering Wet Bulb Temperature, Total Air Volume, and performance metrics for outdoor air temperatures of 85°F, 95°F, 105°F, and 115°F.

20 TON HIGH EFFICIENCY KGA240H4M (1ST STAGE) - SINGLE ZONE VAV SUPPLY FAN BLOWER

Table with 19 columns: Entering Wet Bulb Temperature, Total Air Volume, and performance metrics for outdoor air temperatures of 65°F, 75°F, 85°F, and 95°F.

20 TON HIGH EFFICIENCY KGA240H4M (2ND STAGE) - SINGLE ZONE VAV SUPPLY FAN BLOWER

Table with 19 columns: Entering Wet Bulb Temperature, Total Air Volume, and performance metrics for outdoor air temperatures of 85°F, 95°F, 105°F, and 115°F.

BLOWER DATA

FACTORY INSTALLED BELT DRIVE KIT SPECIFICATIONS

Motor Efficiency	Nominal hp	Maximum hp	Drive Kit Number	RPM Range
Standard or High	2	2.30	1	535 - 725
Standard or High	2	2.30	2	710 - 965
Standard	3	3.45	1	535 - 725
Standard	3	3.45	2	710 - 965
Standard	5	5.75	3	685 - 856
Standard	5	5.75	4	850 - 1045
Standard	5	5.75	5	945 - 1185
Standard	7.5	8.63	6	850 - 1045
Standard	7.5	8.63	7	945 - 1185
Standard	7.5	8.63	8	1045 - 1285
Standard	10	11.50	7	945 - 1185
Standard	10	11.50	10	1045 - 1285
Standard	10	11.50	11	1135 - 1365

NOTE - Using total air volume and system static pressure requirements determine from blower performance tables rpm and motor output required. Maximum usable output of motors furnished are shown. In Canada, nominal motor output is also maximum usable motor output. If motors of comparable output are used, be sure to keep within the service factor limitations outlined on the motor nameplate.

NOTE - Units equipped with Single Zone VAV Supply Fan option are limited to a motor service factor of 1.0.

FACTORY INSTALLED OPTIONS/FIELD INSTALLED ACCESSORY AIR RESISTANCE - in w.g.

Air Volume cfm	Wet Indoor Coil		Condenser Reheat Coil	Gas Heat Exchanger			Economizer	Filters		Horizontal Roof Curb	
	156H 180H 180S	210H 210S 240H 240S 300S		Low/ Standard Heat	Medium Heat	High Heat		MERV 8	MERV 13	156H thru 240H	300S
2750	.01	.02	.01	.02	.04	.05	---	.01	.03	.03	-
3000	.01	.02	.01	.03	.04	.05	---	.01	.03	.04	-
3250	.01	.03	.01	.03	.05	.06	---	.01	.04	.04	.01
3500	.01	.03	.02	.03	.05	.06	---	.01	.04	.05	.01
3750	.01	.03	.02	.04	.06	.07	---	.01	.04	.05	.01
4000	.02	.04	.02	.04	.06	.07	---	.01	.04	.06	.02
4250	.02	.04	.02	.04	.06	.08	---	.01	.05	.07	.02
4500	.02	.05	.02	.05	.07	.09	---	.01	.05	.07	.02
4750	.02	.05	.02	.05	.08	.10	---	.02	.05	.08	.03
5000	.02	.05	.02	.05	.09	.11	---	.02	.06	.08	.03
5250	.02	.06	.03	.06	.10	.12	---	.02	.06	.09	.04
5500	.02	.07	.03	.06	.10	.13	---	.02	.06	.10	.04
5750	.03	.07	.03	.06	.11	.14	---	.02	.07	.11	.05
6000	.03	.08	.03	.07	.12	.15	---	.03	.07	.11	.06
6250	.03	.08	.03	.07	.12	.16	.01	.03	.07	.12	.07
6500	.03	.09	.04	.08	.13	.17	.02	.03	.08	.13	.08
6750	.04	.10	.04	.08	.14	.18	.03	.03	.08	.14	.08
7000	.04	.10	.04	.09	.15	.19	.04	.04	.08	.15	.09
7250	.04	.11	.04	.09	.16	.20	.05	.04	.09	.16	.10
7500	.05	.12	.05	.10	.17	.21	.06	.04	.09	.17	.11
8000	.05	.13	.05	.11	.19	.24	.09	.05	.10	.19	.13
8500	.06	.15	.05	.12	.20	.26	.11	.05	.10	.21	.15
9000	.07	.16	.06	.13	.23	.29	.14	.06	.11	.24	.17
9500	.08	.18	.07	.14	.25	.32	.16	.07	.12	.26	.19
10,000	.08	.20	.07	.16	.27	.35	.19	.07	.12	.29	.21
10,500	.09	.22	.08	.17	.30	.38	.22	.08	.13	.31	.24
11,000	.11	.24	.08	.18	.31	.40	.25	.09	.14	.34	.27

BLOWER DATA

CEILING DIFFUSER AIR RESISTANCE - in. w.g.

Air Volume cfm	Step-Down Diffuser						Flush Diffuser	
	RTD11-185S			RTD11-275			FD11-185S	FD11-275
	2 Ends Open	1 Side/2 Ends Open	All Ends & Sides Open	2 Ends Open	1 Side/2 Ends Open	All Ends & Sides Open		
5000	.51	.44	.39	---	---	---	.27	---
5200	.56	.48	.42	---	---	---	.30	---
5400	.61	.52	.45	---	---	---	.33	---
5600	.66	.56	.48	---	---	---	.36	---
5800	.71	.59	.51	---	---	---	.39	---
6000	.76	.63	.55	.36	.31	.27	.42	.29
6200	.80	.68	.59	---	---	---	.46	---
6400	.86	.72	.63	---	---	---	.50	---
6500	---	---	---	.42	.36	.31	---	.34
6600	.92	.77	.67	---	---	---	.54	---
6800	.99	.83	.72	---	---	---	.58	---
7000	1.03	.87	.76	.49	.41	.36	.62	.40
7200	1.09	.92	.80	---	---	---	.66	---
7400	1.15	.97	.84	---	---	---	.70	---
7500	---	---	---	.51	.46	.41	---	.45
7600	1.20	1.02	.88	---	---	---	.74	---
8000	---	---	---	.59	.49	.43	---	.50
8500	---	---	---	.69	.58	.50	---	.57
9000	---	---	---	.79	.67	.58	---	.66
9500	---	---	---	.89	.75	.65	---	.74
10,000	---	---	---	1.00	.84	.73	---	.81
10,500	---	---	---	1.10	.92	.80	---	.89
11,000	---	---	---	1.21	1.01	.88	---	.96

CEILING DIFFUSER AIR THROW DATA

Model No.	Air Volume cfm	1 Effective Throw Range - ft.		Model No.	Air Volume cfm	1 Effective Throw Range - ft.	
		RTD11-185S Step-Down	FD11-185S Flush			RTD11-275 Step-Down	FD11-275 Flush
156 180	5600	39 - 49	28 - 37	210 240 300	7200	33 - 38	26 - 35
	5800	42 - 51	29 - 38		7400	35 - 40	28 - 37
	6000	44 - 54	40 - 50		7600	36 - 41	29 - 38
	6200	45 - 55	42 - 51		7800	38 - 43	40 - 50
	6400	46 - 55	43 - 52		8000	39 - 44	42 - 51
	6600	47 - 56	45 - 56		8200	41 - 46	43 - 52
					8400	43 - 49	44 - 54
			8600		44 - 50	46 - 57	
			8800		47 - 55	48 - 59	

¹ Throw is the horizontal or vertical distance an airstream travels on leaving the outlet or diffuser before the maximum velocity is reduced to 50 ft. per minute. Four sides open.

POWER EXHAUST FAN PERFORMANCE

Return Air System Static Pressure	Air Volume Exhausted
in. w.g.	cfm
0.00	8630
0.05	8210
0.10	7725
0.15	7110
0.20	6470
0.25	5790
0.30	5060
0.35	4300
0.40	3510
0.45	2690
0.50	1840

KGB180S4

¹ Voltage - 60hz		208/230V - 3 Ph			460V - 3 Ph			575V - 3 Ph		
Compressor 1	Rated Load Amps	13.2			6.3			4.9		
	Locked Rotor Amps	93			60			41		
Compressor 2	Rated Load Amps	13.2			6.3			4.9		
	Locked Rotor Amps	93			60			41		
Compressor 3	Rated Load Amps	13.2			6.3			4.9		
	Locked Rotor Amps	93			60			41		
Outdoor Fan Motors (3)	Full Load Amps (total)	2.4 (7.2)			1.3 (3.9)			1 (3)		
Power Exhaust (2) 0.33 HP	Full Load Amps (total)	2.4 (4.8)			1.3 (2.6)			1 (2)		
Service Outlet 115V GFI (amps)		15			15			20		
Indoor Blower Motor	Horsepower	3	5	7.5	3	5	7.5	3	5	7.5
	Full Load Amps	10.6	16.7	24.2	4.8	7.6	11	3.9	6.1	9
² Maximum Overcurrent Protection	Unit Only	70	80	100	35	35	45	25	30	35
	With (2) 0.33 HP Power Exhaust	70	80	100	35	40	50	25	30	35
³ Minimum Circuit Ampacity	Unit Only	61	68	78	30	33	37	23	26	29
	With (2) 0.33 HP Power Exhaust	66	72	82	32	35	40	25	28	31

NOTE - All units have a minimum Short Circuit Current Rating (SCCR) of 5000 amps.

¹ Extremes of operating range are plus and minus 10% of line voltage.

² HACR type breaker or fuse.

³ Refer to National or Canadian Electrical Code manual to determine wire, fuse and disconnect size requirements.

KGB210S4

¹ Voltage - 60hz		208/230V - 3 Ph			460V - 3 Ph			575V - 3 Ph		
Compressor 1	Rated Load Amps	19.6			8.2			6.6		
	Locked Rotor Amps	136			66.1			55.3		
Compressor 2	Rated Load Amps	19.6			8.2			6.6		
	Locked Rotor Amps	136			66.1			55.3		
Compressor 3	Rated Load Amps	19.6			8.2			6.6		
	Locked Rotor Amps	136			66.1			55.3		
Outdoor Fan Motors (3)	Full Load Amps (total)	2.4 (7.2)			1.3 (3.9)			1 (3)		
Power Exhaust (2) 0.33 HP	Full Load Amps (total)	2.4 (4.8)			1.3 (2.6)			1 (2)		
Service Outlet 115V GFI (amps)		15			15			20		
Indoor Blower Motor	Horsepower	3	5	7.5	3	5	7.5	3	5	7.5
	Full Load Amps	10.6	16.7	24.2	4.8	7.6	11	3.9	6.1	9
² Maximum Overcurrent Protection	Unit Only	100	100	110	40	45	50	30	35	40
	With (2) 0.33 HP Power Exhaust	100	110	125	45	45	50	35	35	45
³ Minimum Circuit Ampacity	Unit Only	82	88	97	36	39	43	29	31	35
	With (2) 0.33 HP Power Exhaust	87	93	102	38	41	45	31	33	37

NOTE - All units have a minimum Short Circuit Current Rating (SCCR) of 5000 amps.

¹ Extremes of operating range are plus and minus 10% of line voltage.

² HACR type breaker or fuse.

³ Refer to National or Canadian Electrical Code manual to determine wire, fuse and disconnect size requirements.

ELECTRICAL DATA

STANDARD EFFICIENCY - 20 TON | 25 TON

KGB240S4

¹ Voltage - 60hz		208/230V - 3 Ph			460V - 3 Ph			575V - 3 Ph		
Compressor 1	Rated Load Amps	22.4			10.6			7.7		
	Locked Rotor Amps	149			75			54		
Compressor 2	Rated Load Amps	22.4			10.6			7.7		
	Locked Rotor Amps	149			75			54		
Compressor 3	Rated Load Amps	25			12.2			9		
	Locked Rotor Amps	164			100			78		
Outdoor Fan Motors (4)	Full Load Amps (total)	2.4 (9.6)			1.3 (5.2)			1 (4)		
Power Exhaust (2) 0.33 HP	Full Load Amps (total)	2.4 (4.8)			1.3 (2.6)			1 (2)		
Service Outlet 115V GFI (amps)		15			15			20		
Indoor Blower Motor	Horsepower	5	7.5	10	5	7.5	10	5	7.5	10
	Full Load Amps	16.7	24.2	30.8	7.6	11	14	6.1	9	11
² Maximum Overcurrent Protection	Unit Only / With (2) 0.33 HP Power Exhaust	125	125	125	60	60	70	45	45	50
³ Minimum Circuit Ampacity	Unit Only / With (2) 0.33 HP Power Exhaust	103	110	118	50	53	57	37	40	43

NOTE - All units have a minimum Short Circuit Current Rating (SCCR) of 5000 amps.

¹ Extremes of operating range are plus and minus 10% of line voltage.

² HACR type breaker or fuse.

³ Refer to National or Canadian Electrical Code manual to determine wire, fuse and disconnect size requirements.

KGB300S4

¹ Voltage - 60hz		208/230V - 3 Ph			460V - 3 Ph			575V - 3 Ph		
Compressor 1	Rated Load Amps	19.6			8.2			6.6		
	Locked Rotor Amps	136			66.1			55.3		
Compressor 2	Rated Load Amps	19.6			8.2			6.6		
	Locked Rotor Amps	136			66.1			55.3		
Compressor 3	Rated Load Amps	22.4			10.6			7.7		
	Locked Rotor Amps	149			75			54		
Compressor 4	Rated Load Amps	22.4			10.6			7.7		
	Locked Rotor Amps	149			75			54		
Outdoor Fan Motors (6)	Full Load Amps (total)	2.4 (14.4)			1.3 (7.8)			1 (6)		
Power Exhaust (2) 0.33 HP	Full Load Amps (total)	2.4 (4.8)			1.3 (2.6)			1 (2)		
Service Outlet 115V GFI (amps)		15			15			20		
Indoor Blower Motor	Horsepower	5	7.5	10	5	7.5	10	5	7.5	10
	Full Load Amps	16.7	24.2	30.8	7.6	11	14	6.1	9	11
² Maximum Overcurrent Protection	Unit Only / With (2) 0.33 HP Power Exhaust	125	150	150	60	70	70	50	50	50
³ Minimum Circuit Ampacity	Unit Only / With (2) 0.33 HP Power Exhaust	121	129	137	56	60	63	43	46	49

NOTE - All units have a minimum Short Circuit Current Rating (SCCR) of 5000 amps.

¹ Extremes of operating range are plus and minus 10% of line voltage.

² HACR type breaker or fuse.

³ Refer to National or Canadian Electrical Code manual to determine wire, fuse and disconnect size requirements.

KGA156H4

¹ Voltage - 60hz		208/230V - 3 Ph			460V - 3 Ph			575V - 3 Ph		
Compressor 1	Rated Load Amps	14.5			6.3			6		
	Locked Rotor Amps	98			55			41		
Compressor 2	Rated Load Amps	14.5			6.3			6		
	Locked Rotor Amps	98			55			41		
Compressor 3	Rated Load Amps	14.5			6.3			6		
	Locked Rotor Amps	98			55			41		
Outdoor Fan Motors (3)	Full Load Amps (total)	2.4 (7.2)			1.3 (3.9)			1 (3)		
Power Exhaust (2) 0.33 HP	Full Load Amps (total)	2.4 (4.8)			1.3 (2.6)			1 (2)		
Service Outlet 115V GFI (amps)		15			15			20		
Indoor Blower Motor	Horsepower	2	3	5	2	3	5	2	3	5
	Full Load Amps	7.5	10.6	16.7	3.4	4.8	7.6	2.7	3.9	6.1
² Maximum	Unit Only	70	70	80	30	35	35	30	30	30
Overcurrent Protection	With (2) 0.33 HP Power Exhaust	80	80	90	35	35	40	30	30	35
³ Minimum	Unit Only	62	65	72	28	30	33	26	27	29
Circuit Ampacity	With (2) 0.33 HP Power Exhaust	67	70	77	31	32	35	28	29	31

NOTE - All units have a minimum Short Circuit Current Rating (SCCR) of 5000 amps.

¹ Extremes of operating range are plus and minus 10% of line voltage.

² HACR type breaker or fuse.

³ Refer to National or Canadian Electrical Code manual to determine wire, fuse and disconnect size requirements.

KGA180H4

¹ Voltage - 60hz		208/230V - 3 Ph			460V - 3 Ph			575V - 3 Ph		
Compressor 1	Rated Load Amps	13.2			6.3			4.9		
	Locked Rotor Amps	93			60			41		
Compressor 2	Rated Load Amps	13.2			6.3			4.9		
	Locked Rotor Amps	93			60			41		
Compressor 3	Rated Load Amps	13.2			6.3			4.9		
	Locked Rotor Amps	93			60			41		
Outdoor Fan Motors (4)	Full Load Amps (total)	2.4 (9.6)			1.3 (5.2)			1 (4)		
Power Exhaust (2) 0.33 HP	Full Load Amps (total)	2.4 (4.8)			1.3 (2.6)			1 (2)		
Service Outlet 115V GFI (amps)		15			15			20		
Indoor Blower Motor	Horsepower	3	5	7.5	3	5	7.5	3	5	7.5
	Full Load Amps	10.6	16.7	24.2	4.8	7.6	11	3.9	6.1	9
² Maximum	Unit Only	70	80	100	35	40	45	25	30	35
Overcurrent Protection	With (2) 0.33 HP Power Exhaust	80	90	100	35	40	50	30	30	40
³ Minimum	Unit Only	64	71	80	31	34	38	24	27	30
Circuit Ampacity	With (2) 0.33 HP Power Exhaust	68	75	85	34	37	41	26	29	32

NOTE - All units have a minimum Short Circuit Current Rating (SCCR) of 5000 amps.

¹ Extremes of operating range are plus and minus 10% of line voltage.

² HACR type breaker or fuse.

³ Refer to National or Canadian Electrical Code manual to determine wire, fuse and disconnect size requirements.

⁴ Factory installed circuit breaker not available.

KGA210H4

¹ Voltage - 60hz		208/230V - 3 Ph			460V - 3 Ph			575V - 3 Ph		
Compressor 1	Rated Load Amps	15.6			7.8			5.8		
	Locked Rotor Amps	110			52			38.9		
Compressor 2	Rated Load Amps	15.6			7.8			5.8		
	Locked Rotor Amps	110			52			38.9		
Compressor 3	Rated Load Amps	19.6			8.2			6.6		
	Locked Rotor Amps	136			66.1			55.3		
Outdoor Fan Motors (6)	Full Load Amps (total)	2.4 (14.4)			1.3 (7.8)			1 (6)		
Power Exhaust (2) 0.33 HP	Full Load Amps (total)	2.4 (4.8)			1.3 (2.6)			1 (2)		
Service Outlet 115V GFI (amps)		15			15			20		
Indoor Blower Motor	Horsepower	3	5	7.5	3	5	7.5	3	5	7.5
	Full Load Amps	10.6	16.7	24.2	4.8	7.6	11	3.9	6.1	9
² Maximum Overcurrent Protection	Unit Only	100	100	110	45	45	50	35	35	40
	With (2) 0.33 HP Power Exhaust	100	110	110	45	50	50	35	40	45
³ Minimum Circuit Ampacity	Unit Only	81	87	96	39	42	46	30	32	36
	With (2) 0.33 HP Power Exhaust	86	92	101	42	44	48	32	34	38

NOTE - All units have a minimum Short Circuit Current Rating (SCCR) of 5000 amps.

¹ Extremes of operating range are plus and minus 10% of line voltage.

² HACR type breaker or fuse.

³ Refer to National or Canadian Electrical Code manual to determine wire, fuse and disconnect size requirements.

KGA240H4

¹ Voltage - 60hz		208/230V - 3 Ph			460V - 3 Ph			575V - 3 Ph		
Compressor 1	Rated Load Amps	13.2			6.3			4.9		
	Locked Rotor Amps	93			60			41		
Compressor 2	Rated Load Amps	13.2			6.3			4.9		
	Locked Rotor Amps	93			60			41		
Compressor 3	Rated Load Amps	13.2			6.3			4.9		
	Locked Rotor Amps	93			60			41		
Compressor 4	Rated Load Amps	13.2			6.3			4.9		
	Locked Rotor Amps	93			60			41		
Outdoor Fan Motors (6)	Full Load Amps (total)	2.4 (14.4)			1.3 (7.8)			1 (6)		
Power Exhaust (2) 0.33 HP	Full Load Amps (total)	2.4 (4.8)			1.3 (2.6)			1 (2)		
Service Outlet 115V GFI (amps)		15			15			20		
Indoor Blower Motor	Horsepower	5	7.5	10	5	7.5	10	5	7.5	10
	Full Load Amps	16.7	24.2	30.8	7.6	11	14	6.1	9	11
² Maximum Overcurrent Protection	Unit Only	100	110	125	50	50	60	35	45	50
	With (2) 0.33 HP Power Exhaust	100	125	125	50	60	60	40	45	50
³ Minimum Circuit Ampacity	Unit Only	89	98	106	43	47	51	34	37	40
	With (2) 0.33 HP Power Exhaust	93	103	111	46	50	54	36	39	42

NOTE - All units have a minimum Short Circuit Current Rating (SCCR) of 5000 amps.

¹ Extremes of operating range are plus and minus 10% of line voltage.

² HACR type breaker or fuse.

³ Refer to National or Canadian Electrical Code manual to determine wire, fuse and disconnect size requirements.

⁴ Factory installed circuit breaker not available.

ELECTRICAL ACCESSORIES

DISCONNECTS - STANDARD EFFICIENCY

Voltage	208V	240V	208V	240V	208V	240V	480V	480V	480V	600V	600V	600V
Model No.	KGA180S											
Blower Motor HP	3		5		7.5		3	5	7.5	3	5	7.5
Unit Only	54W91	54W91	54W92	54W92	54W92	54W92	54W91	54W91	54W91	54W91	54W91	54W91
Unit w/ Power Exhaust	54W92	54W92	54W92	54W92	54W92	54W92	54W91	54W91	54W91	54W91	54W91	54W91
Model No.	KGB180S											
Blower Motor HP	3		5		7.5		3	5	7.5	3	5	7.5
Unit Only	54W91	54W91	54W91	54W91	54W91	54W91	54W91	54W91	54W91	54W91	54W91	54W91
Unit w/ Power Exhaust	54W91	54W91	54W91	54W91	54W92	54W92	54W91	54W91	54W91	54W91	54W91	54W91
Model No.	KGA/KGB210S											
Blower Motor HP	3		5		7.5		3	5	7.5	3	5	7.5
Unit Only	54W92	54W92	54W92	54W92	54W92	54W92	54W91	54W91	54W91	54W91	54W91	54W91
Unit w/ Power Exhaust	54W92	54W92	54W92	54W92	54W92	54W92	54W91	54W91	54W91	54W91	54W91	54W91
Model No.	KGA/KGB240S											
Blower Motor HP	5		7.5		10		5	7.5	10	5	7.5	10
Unit Only	54W92	54W92	54W92	54W92	54W92	54W92	54W91	54W91	54W91	54W91	54W91	54W91
Unit w/ Power Exhaust	54W92	54W92	54W92	54W92	54W92	54W92	54W91	54W91	54W91	54W91	54W91	54W91
Model No.	KGB300S											
Blower Motor HP	5		7.5		10		5	7.5	10	5	7.5	10
Unit Only	54W92	54W92	54W92	54W92	54W92	54W92	54W91	54W91	54W91	54W91	54W91	54W91
Unit w/ Power Exhaust	54W92	54W92	54W92	54W92	54W93	54W93	54W91	54W91	54W91	54W91	54W91	54W91

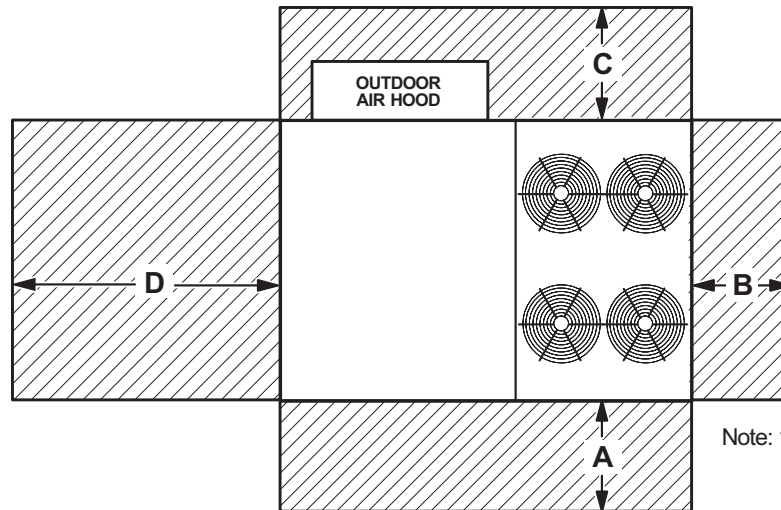
ELECTRICAL ACCESSORIES

DISCONNECTS - HIGH EFFICIENCY

Voltage	208V	240V	208V	240V	208V	240V	480V	480V	480V	600V	600V	600V
Model No.	KGA156H											
Blower Motor HP	2		3		5		2	3	5	2	3	5
Unit Only	54W91	54W91	54W91	54W91	54W91	54W91	54W91	54W91	54W91	54W91	54W91	54W91
Unit w/ Power Exhaust	54W91	54W91	54W91	54W91	54W91	54W91	54W91	54W91	54W91	54W91	54W91	54W91
Model No.	KGA180H											
Blower Motor HP	3		5		7.5		3	5	7.5	3	5	7.5
Unit Only	54W91	54W91	54W91	54W91	54W92	54W92	54W91	54W91	54W91	54W91	54W91	54W91
Unit w/ Power Exhaust	54W91	54W91	54W92	54W92	54W92	54W92	54W91	54W91	54W91	54W91	54W91	54W91
Model No.	KGA210H											
Blower Motor HP	3		5		7.5		3	5	7.5	3	5	7.5
Unit Only	54W92	54W92	54W92	54W92	54W92	54W92	54W91	54W91	54W91	54W91	54W91	54W91
Unit w/ Power Exhaust	54W92	54W92	54W92	54W92	54W92	54W92	54W91	54W91	54W91	54W91	54W91	54W91
Model No.	KGA240H											
Blower Motor HP	5		7.5		10		5	7.5	10	5	7.5	10
Unit Only	54W92	54W92	54W92	54W92	54W92	54W92	54W91	54W91	54W91	54W91	54W91	54W91
Unit w/ Power Exhaust	54W92	54W92	54W92	54W92	54W92	54W92	54W91	54W91	54W91	54W91	54W91	54W91

UNIT CLEARANCES

Unit With Economizer



Note: 180H, 240S, 300S sizes shown

¹ Unit Clearance	A		B		C		D		Top Clearance
	in.	mm	in.	mm	in.	mm	in.	mm	
Service Clearance	60	1524	36	914	36	914	66	1676	Unobstructed
Clearance to Combustibles	36	914	1	25	1	25	1	25	
Minimum Operation Clearance	45	1143	36	914	36	914	41	1041	

NOTE - Entire perimeter of unit base requires support when elevated above the mounting surface.

¹ **Service Clearance** - Required for removal of serviceable parts.

Clearance to Combustibles - Required clearance to combustible material.

Minimum Operation Clearance - Required clearance for proper unit operation.

OUTDOOR SOUND DATA

Unit Model Number	Octave Band Linear Sound Power Levels dB, re 10 ⁻¹² Watts - Center Frequency - Hz							¹ Sound Rating Number (SRN) (dBA)
	125	250	500	1000	2000	4000	8000	
156H, 180S, 210S	71	78	81	81	76	71	63	86
180H, 240S	80	83	87	88	84	80	71	93
210H, 240H, 300S	79	84	88	89	85	82	73	94

NOTE - The octave sound power data does not include tonal corrections.

¹ Sound Rating Number according to ARI Standard 370-2001 (includes pure tone penalty). "SRN" is the overall A-Weighted Sound Power Level, (LWA), dB (100 Hz to 10,000 Hz).

WEIGHT DATA

Model Number	Outdoor Coil	Net		Shipping		Outdoor Coil	Net		Shipping	
		lbs.	kg	lbs.	kg		lbs.	kg	lbs.	kg
156H Base Unit	Eco-Last™	1935	878	2135	968	---	---	---	---	---
156H Max. Unit	Eco-Last™	2205	1000	2405	1091	---	---	---	---	---
180H Base Unit	Eco-Last™	2115	959	2315	1050	---	---	---	---	---
180H Max. Unit	Eco-Last™	2400	1089	2600	1179	---	---	---	---	---
210H Base Unit	Eco-Last™	2240	1016	2440	1107	---	---	---	---	---
210H Max. Unit	Eco-Last™	2525	1145	2725	1236	---	---	---	---	---
240H Base Unit	Eco-Last™	2325	1055	2525	1145	---	---	---	---	---
240H Max. Unit	Eco-Last™	2610	1184	2810	1275	---	---	---	---	---
180S Base Unit	Eco-Last™	1855	841	2055	932	Fin/Tube	1920	870	2120	962
180S Max. Unit	Eco-Last™	2175	987	2375	1077	Fin/Tube	2240	1017	2440	1106
210S Base Unit	Eco-Last™	1965	891	2165	982	Fin/Tube	2030	920	2230	1012
210S Max. Unit	Eco-Last™	2295	1041	2495	1132	Fin/Tube	2360	1071	2560	1161
240S Base Unit	Eco-Last™	2180	989	2380	1080	Fin/Tube	2285	1037	2485	1128
240S Max. Unit	Eco-Last™	2510	1139	2710	1229	Fin/Tube	2615	1186	2815	1277
300S Base Unit	Eco-Last™	2450	1111	2650	1202	Fin/Tube	2515	1141	2715	1232
300S Max. Unit	Eco-Last™	2740	1243	2940	1334	Fin/Tube	2805	1272	3005	1364

NOTE - Max. Unit is the unit with ALL INTERNAL OPTIONS Installed. (Economizer, Standard Static Power Exhaust Fans, Controls, etc.). Does not include accessories EXTERNAL to unit.

OPTIONS / ACCESSORIES

Description	Shipping Weight		
	lbs.	kg	
ECONOMIZER / OUTDOOR AIR / EXHAUST			
Economizer			
Economizer Dampers	102	46	
Barometric Relief Dampers (downflow)	30	14	
Barometric Relief Dampers (horizontal)	20	9	
Outdoor Air Dampers			
Outdoor Air Damper Section (downflow) - Automatic	52	24	
Outdoor Air Damper Section (downflow) - Manual	49	22	
Outdoor Air Damper Hood (downflow)	65	29	
Power Exhaust	62	28	
GAS HEAT EXCHANGER (NET WEIGHT)			
Medium Heat (adder over standard heat)	18	8	
High Heat (adder over standard heat)	64	29	
DEHUMIDIFICATION SYSTEM			
Dehumidification Option (Net Weight)	50	23	
single zone vav supply fan blower OPTION			
Variable Frequency Drive (VFD) and associated components	10	5	
ROOF CURBS			
Hybrid Roof Curb, Downflow			
8 in. height	75	34	
14 in. height	105	48	
18 in. height	125	57	
24 in. height	155	70	
Adjustable Pitch Curb, Downflow			
14 in. height	262	119	
Horizontal Roof Curbs, Standard			
26 in. height	470	213	
37 in. height	505	229	
30 in. height	575	261	
41 in. height	610	277	
CEILING DIFFUSERS			
Step-Down			
	RTD11-185S	168	76
	RTD11-275S	238	108
Flush			
	FD11-185S	168	76
	FD11-275S	238	108
Transitions			
	C1DIFF33C-1	80	36
	C1DIFF34C-1	75	34
PACKAGING			
LTL Packaging (less than truck load)	310	141	

DIMENSIONS - UNIT

KGA156H | KGB180 | KGB210S

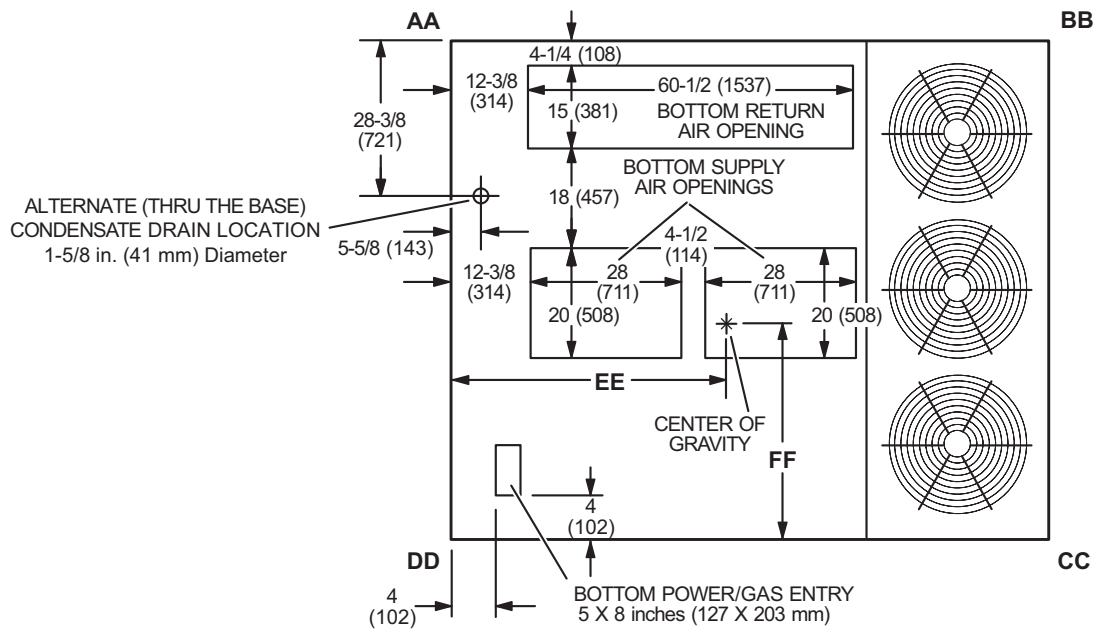
CORNER WEIGHTS

CENTER OF GRAVITY

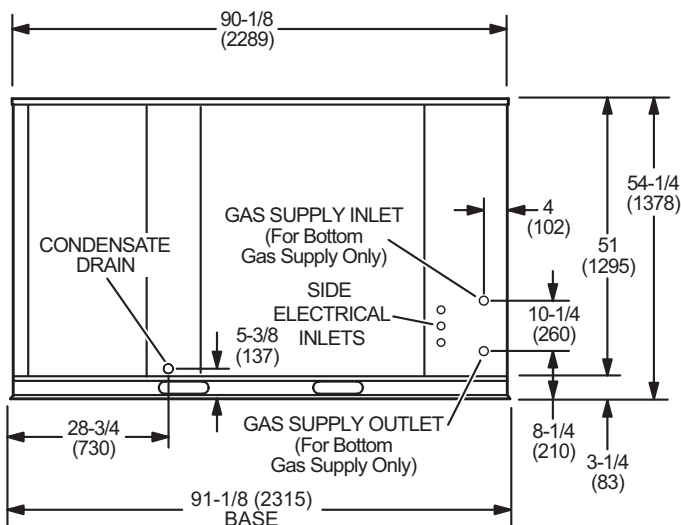
Model No.	AA		BB		CC		DD		EE		FF	
	lbs.	kg	lbs.	kg	lbs.	kg	lbs.	kg	in.	mm	in.	mm
KGA156H Base Unit (Eco-Last™ Coil)	473	215	367	167	483	219	612	278	47 1/4	1200	39 1/2	1003
KGA156H Max. Unit (Eco-Last™ Coil)	586	266	447	203	510	232	663	301	46 3/4	1187	42 3/4	1086
KGB180S Base Unit (Eco-Last™ Coil)	423	192	365	166	495	225	574	260	50	1270	38 3/4	984
KGB180S Max. Unit (Eco-Last™ Coil)	542	246	441	200	536	243	657	298	48 1/2	1232	41	1041
KGB180S Base Unit (Fin/Tube Coil)	426	193	395	179	525	239	577	261	49	1245	39 3/4	1010
KGB180S Max. Unit (Fin/Tube Coil)	544	247	471	213	566	256	659	299	48 1/4	1226	42 3/4	1086
KGB210S Base Unit (Eco-Last™ Coil)	462	210	387	176	509	231	608	276	49 1/4	1251	39 1/4	997
KGB210S Max. Unit (Eco-Last™ Coil)	587	266	465	211	550	249	694	315	47 3/4	1213	41 3/4	1060
KGB210S Base Unit (Fin/Tube Coil)	465	211	417	189	539	245	611	277	49	1245	39 3/4	1010
KGB210S Max. Unit (Fin/Tube Coil)	589	267	495	224	580	262	696	316	48 1/4	1226	42 3/4	1086

Base Unit - The unit with NO INTERNAL OPTIONS.

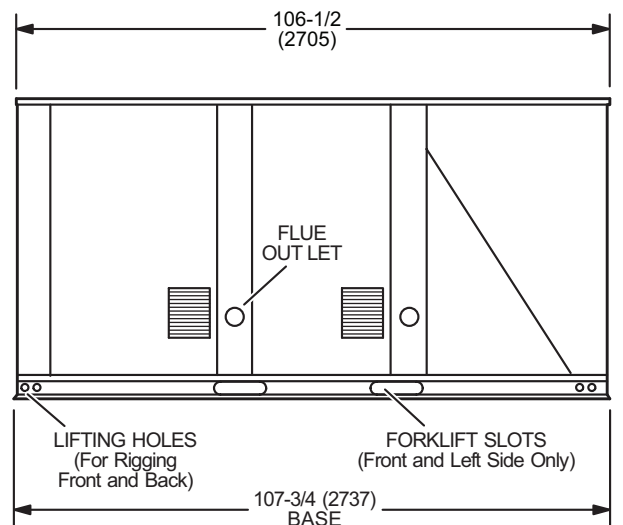
Max. Unit - The unit with ALL INTERNAL OPTIONS Installed. (Economizer, Standard Static Power Exhaust Fans, Controls, etc.). Does not include accessories external to unit.



TOP VIEW



END VIEW



SIDE VIEW

DIMENSIONS - UNIT

KGA180H | KGB240S

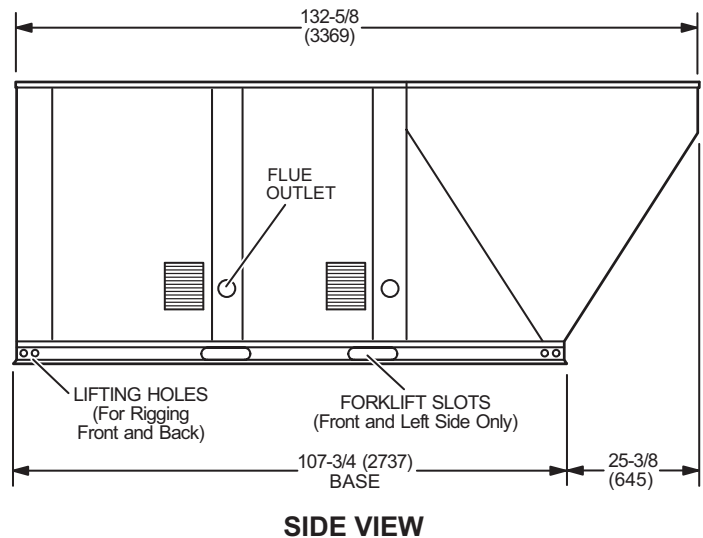
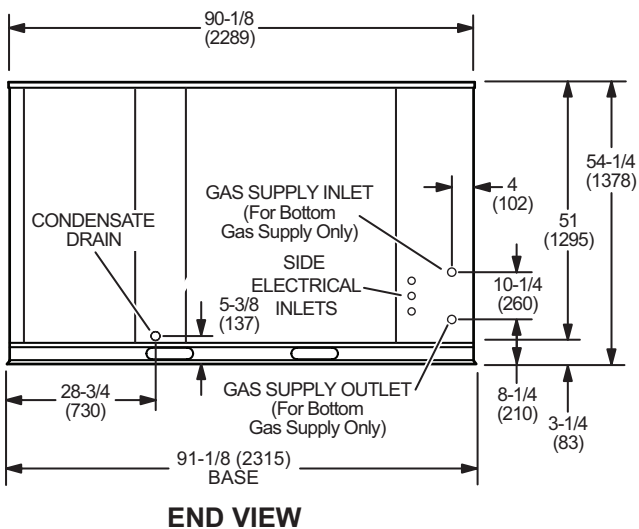
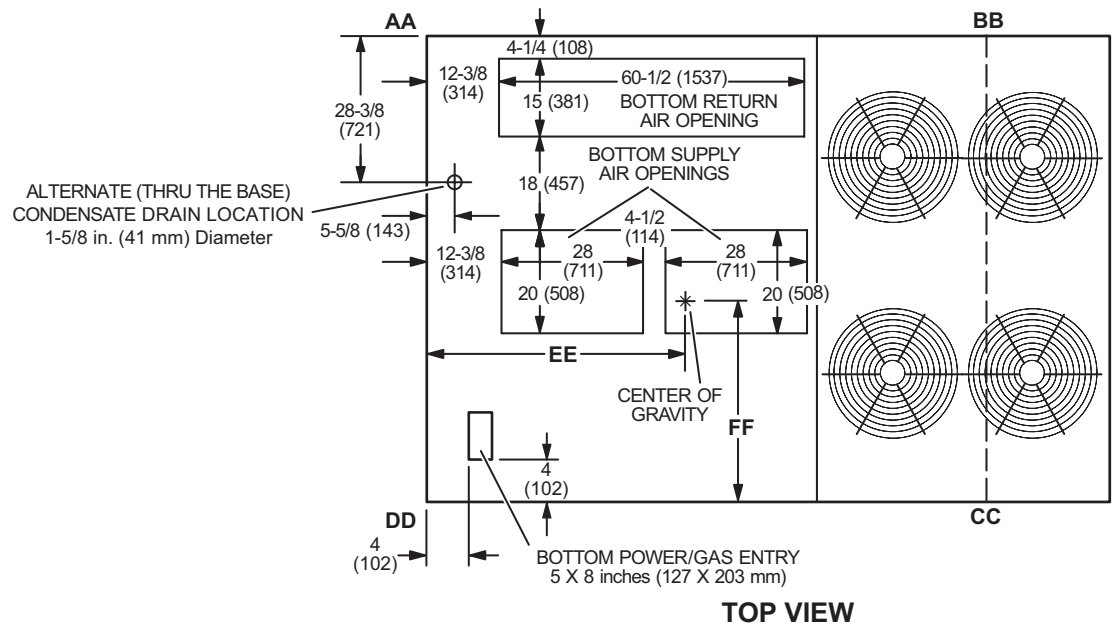
CORNER WEIGHTS

CENTER OF GRAVITY

Model No.	AA		BB		CC		DD		EE		FF	
	lbs.	kg	lbs.	kg	lbs.	kg	lbs.	kg	in.	mm	in.	mm
KGA180H Base Unit (Eco-Last™ Coil)	487	221	423	192	569	259	636	289	50-3/4	1289	39-1/4	997
KGA180H Max. Unit (Eco-Last™ Coil)	597	272	505	229	599	272	699	318	49-3/4	1264	42	1067
KGB240S Base Unit (Eco-Last™ Coil)	464	210	421	191	616	279	679	308	51-1/4	1302	37	940
KGB240S Max. Unit (Eco-Last™ Coil)	574	260	506	230	669	303	759	344	50-1/2	1283	39-1/4	997
KGB240S Base Unit (Fin/Tube Coil)	464	210	474	215	669	302	679	307	53-1/4	1353	39-1/2	1003
KGB240S Max. Unit (Fin/Tube Coil)	574	259	558	254	722	327	759	343	52	1321	42	1067

Base Unit - The unit with NO INTERNAL OPTIONS.

Max. Unit - The unit with ALL INTERNAL OPTIONS Installed. (Economizer, Standard Static Power Exhaust Fans, Controls, etc.). Does not include accessories external to unit.



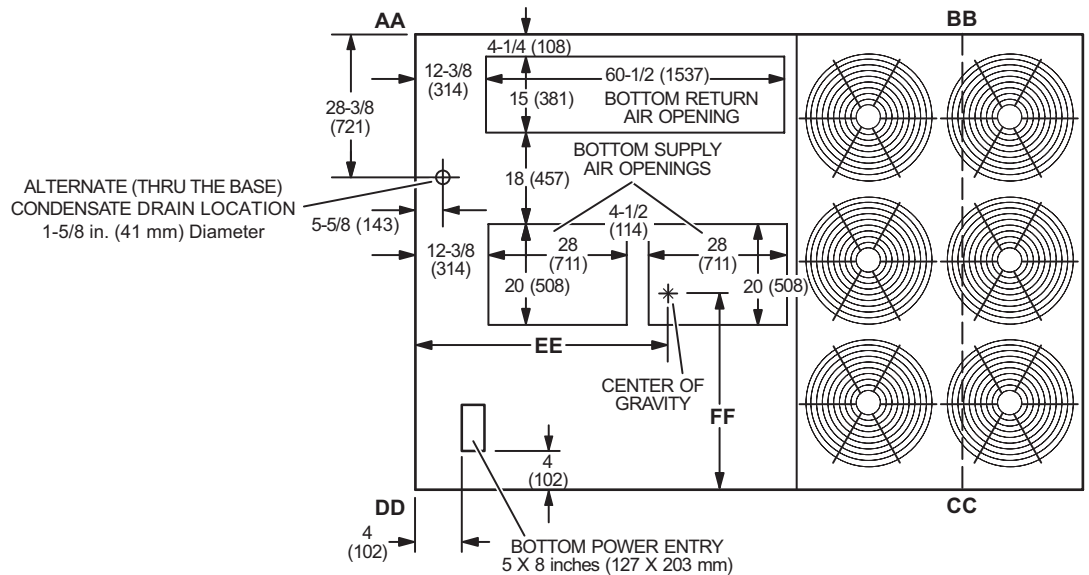
DIMENSIONS - UNIT

KGA210H | KGB240H | KGB300S

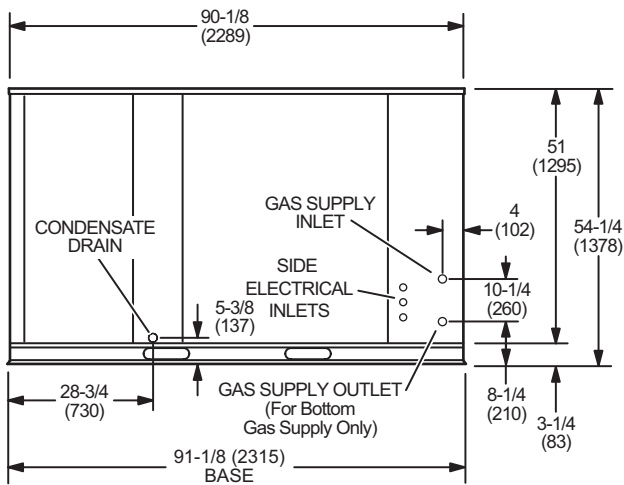
Model No.	CORNER WEIGHTS								CENTER OF GRAVITY			
	AA		BB		CC		DD		EE		FF	
	lbs.	kg	lbs.	kg	lbs.	kg	lbs.	kg	in.	mm	in.	mm
KGA210H Base Unit (Eco-Last™ Coil)	497	226	468	213	626	284	649	295	52 3/4	1340	39 1/4	997
KGA210H Max. Unit (Eco-Last™ Coil)	607	276	553	252	655	298	710	323	51 1/2	1308	42	1067
KGA240H Base Unit (Eco-Last™ Coil)	507	230	481	219	660	300	677	308	53	1346	38 3/4	984
KGA240H Max. Unit (Eco-Last™ Coil)	617	280	567	258	688	313	738	335	52	1321	41 1/2	1054
KGB300S Base Unit (Eco-Last™ Coil)	511	232	505	229	714	324	722	327	53 1/2	1359	37 3/4	959
KGB300S Max. Unit (Eco-Last™ Coil)	624	283	594	269	743	337	780	354	52 1/2	1334	40 1/2	1029
KGB300S Base Unit (Fin/Tube Coil)	535	243	501	228	716	325	764	346	53 1/2	1359	37 3/4	959
KGB300S Max. Unit (Fin/Tube Coil)	653	296	595	269	743	337	816	370	52 1/2	1334	40 1/2	1029

Base Unit - The unit with NO INTERNAL OPTIONS.

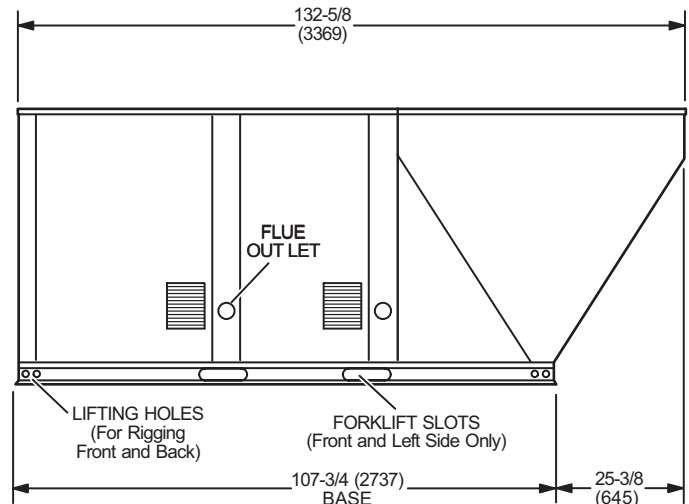
Max. Unit - The unit with ALL INTERNAL OPTIONS Installed. (Economizer, Standard Static Power Exhaust Fans, Controls, etc.). Does not include accessories external to unit.



TOP VIEW

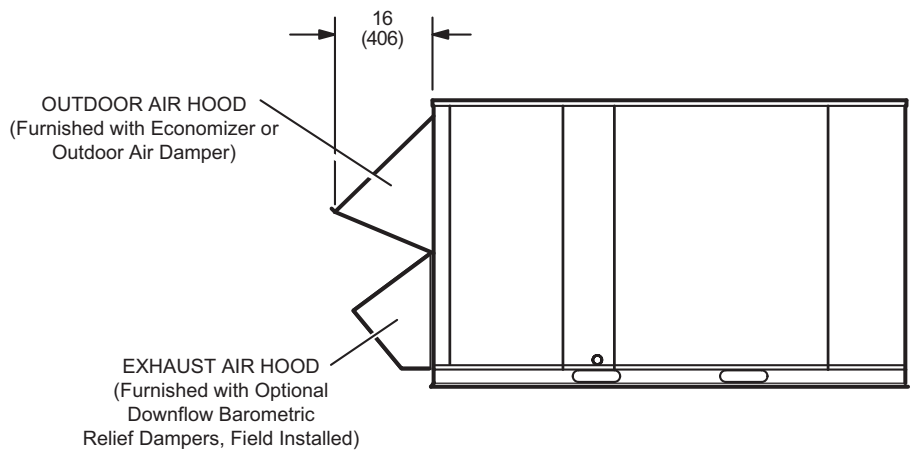


END VIEW



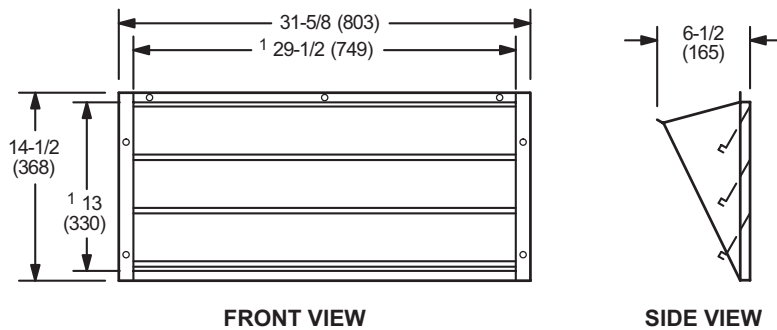
SIDE VIEW

OUTDOOR AIR HOOD DETAIL



OPTIONAL HORIZONTAL BAROMETRIC RELIEF DAMPERS WITH HOOD

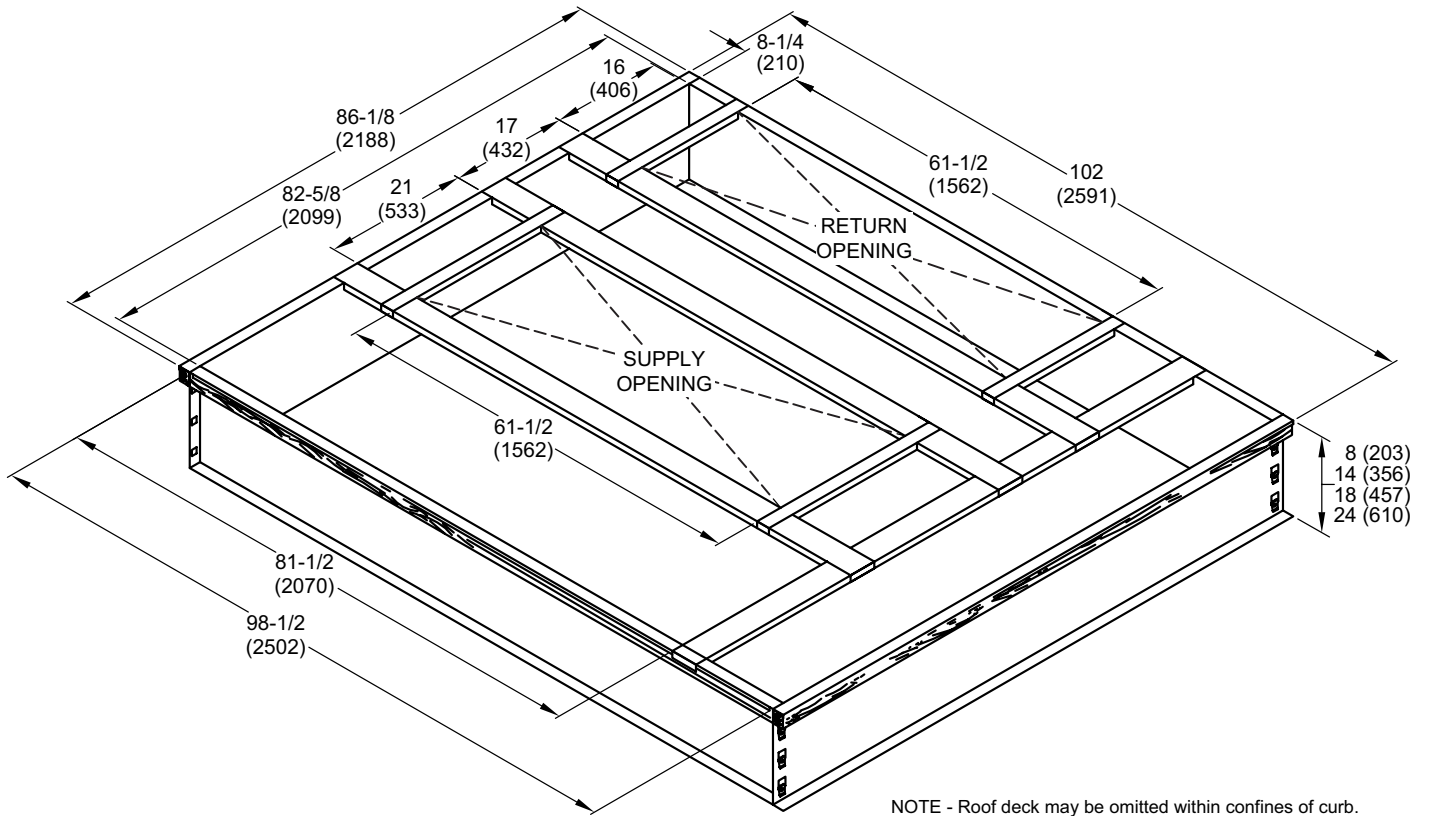
(Field installed in horizontal return air duct adjacent to unit)



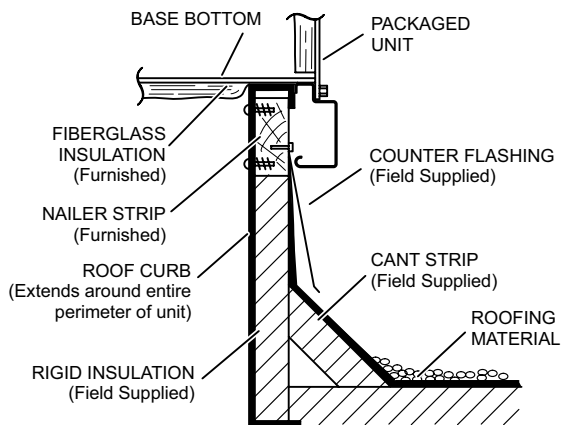
NOTE - Two furnished per order no.
¹ NOTE - Opening size required in return air duct.

DIMENSIONS - ACCESSORIES

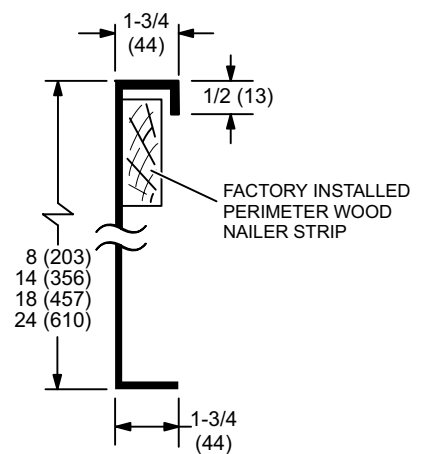
HYBRID ROOF CURBS - DOUBLE DUCT OPENING



TYPICAL FLASHING DETAIL FOR ROOF CURB

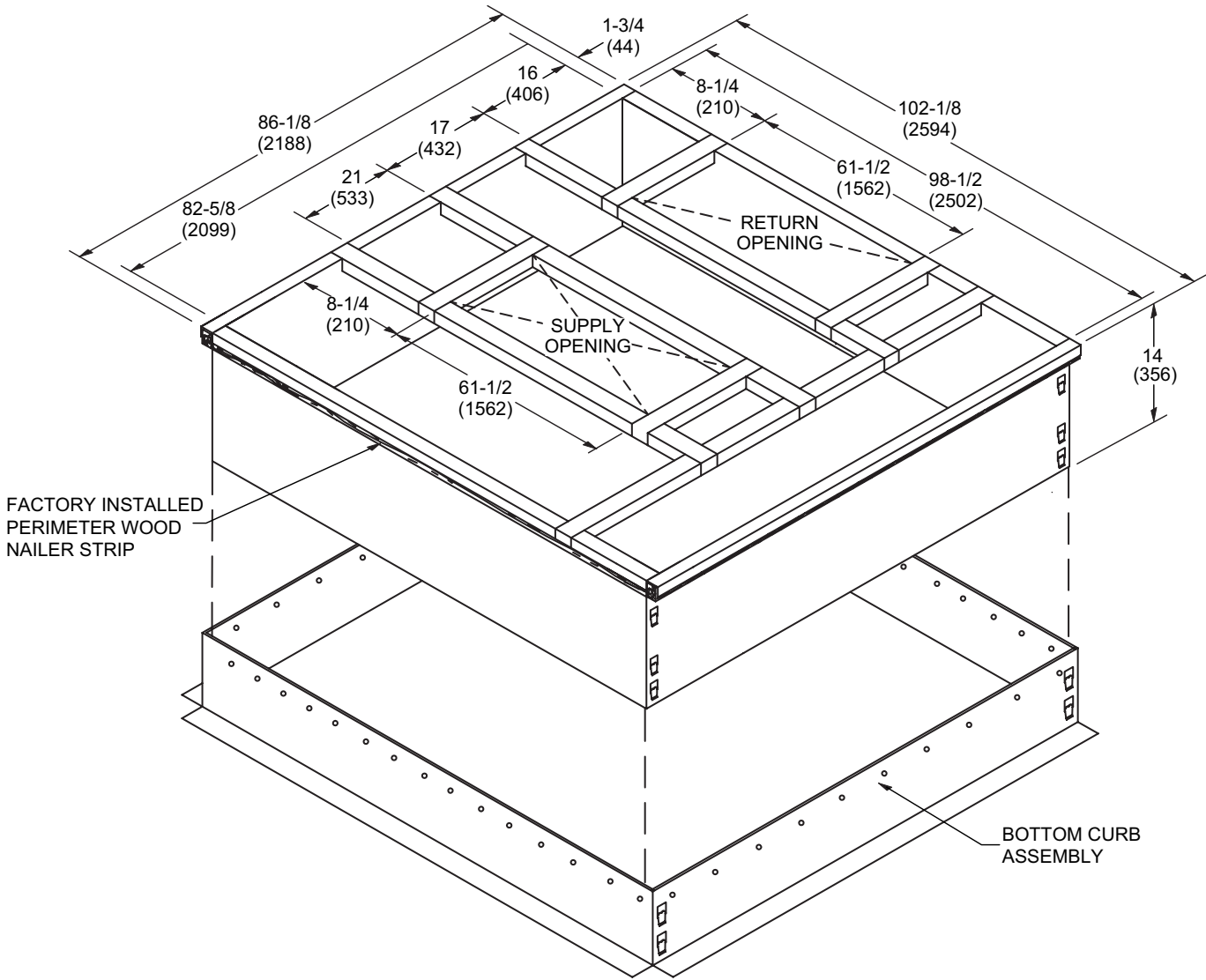


DETAIL ROOF CURB



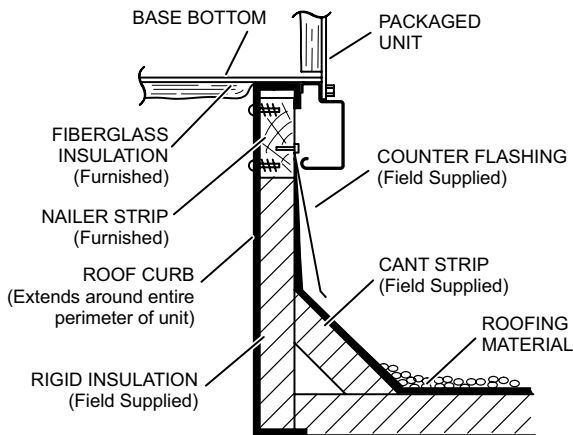
DIMENSIONS - ACCESSORIES

ADJUSTABLE PITCH CURB - DOUBLE DUCT OPENING

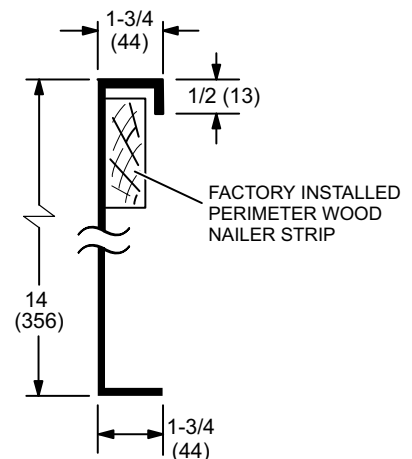


NOTE - Maximum slope pitch is 3/4 in. per 1 foot (19 mm per 305 mm) in any one direction.

TYPICAL FLASHING DETAIL FOR ROOF CURB

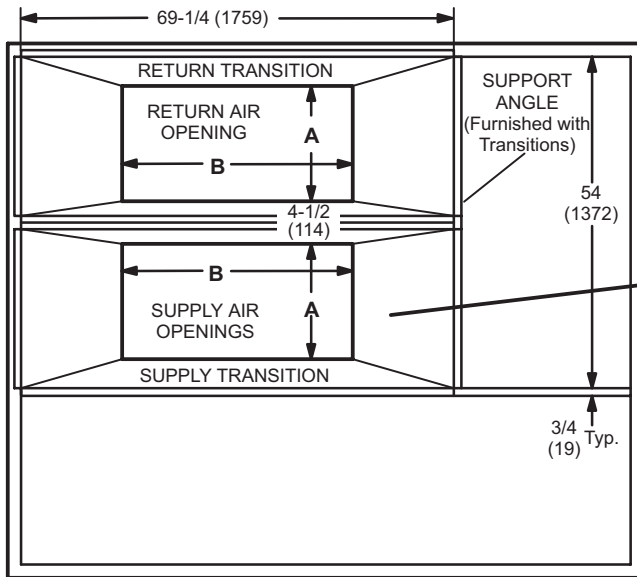


DETAIL ROOF CURB

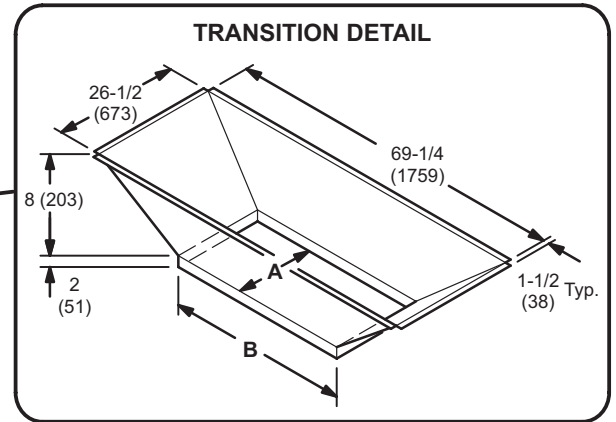


DIMENSIONS - ACCESSORIES

ROOF CURBS WITH SUPPLY & RETURN AIR TRANSITIONS FOR CEILING DIFFUSERS



TOP VIEW

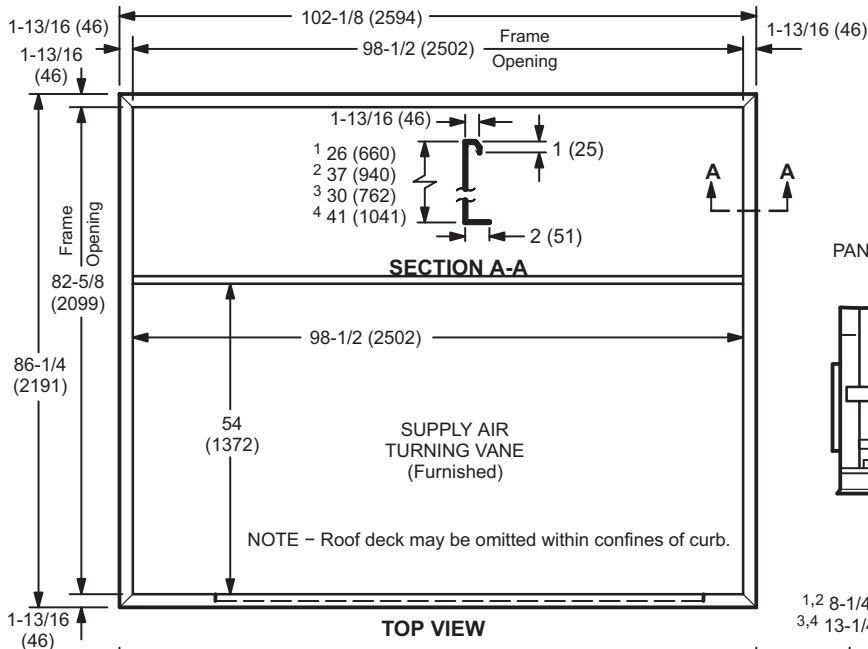


TRANSITION OPENING SIZES

Model Number	A		B	
	inch	mm	inch	mm
C1DIFF33C-1	18	457	36	914
C1DIFF34C-1	24	610	48	1219

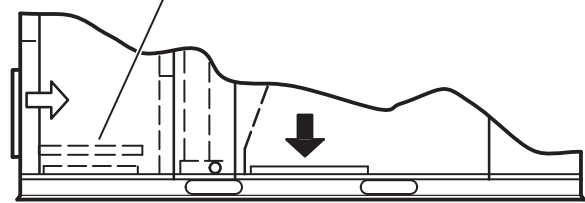
DIMENSIONS - ACCESSORIES

HORIZONTAL ROOF CURBS – Requires Optional Horizontal Return Air Panel Kit

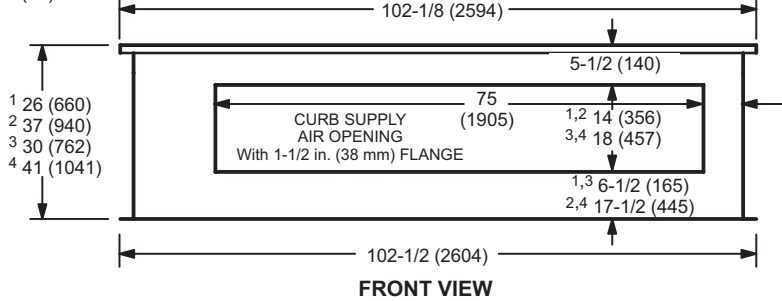


NOTE C1CURB14C-1 and C1CURB15C-1 are designed for horizontal discharge when unit is mounted on a slab. C1CURB16C-1 and C1CURB17C-1 are designed for horizontal discharge when unit is mounted on a rooftop.

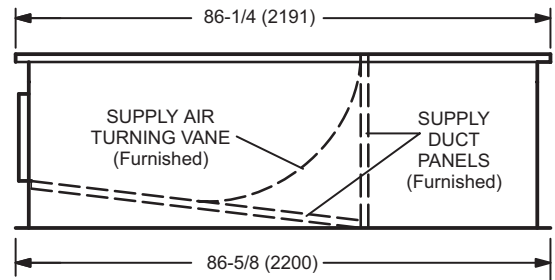
PANEL TO COVER RETURN AIR OPENING IN BOTTOM OF UNIT (Furnished With Optional Horizontal Return Air Panel Kit)



SIDE VIEW
(Packaged Unit)



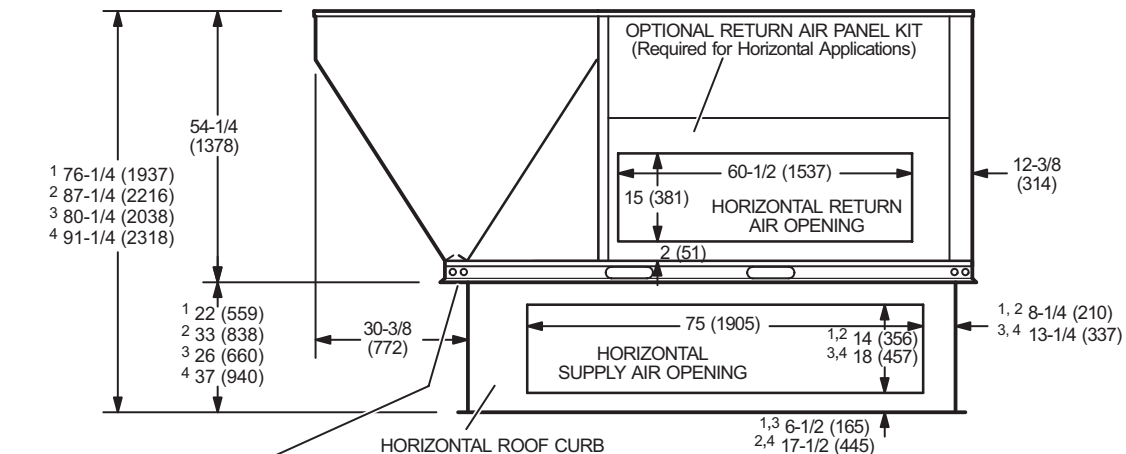
^{1,2} 8-1/4 (210)
^{3,4} 13-1/4 (337)



SIDE VIEW

- | | | | |
|---------------|---------------|-------------------------------|-------------------------------|
| 1 C1CURB14C-1 | 2 C1CURB16C-1 | 3 C1CURB15C-1 (used with 300) | 4 C1CURB17C-1 (used with 300) |
|---------------|---------------|-------------------------------|-------------------------------|

HORIZONTAL SUPPLY AND RETURN AIR OPENINGS WITH HORIZONTAL ROOF CURB



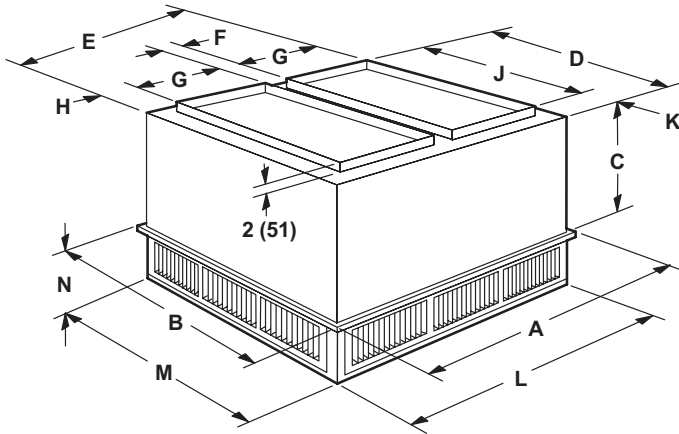
NOTE - Top of Roof Curb extends 4 inch (102 mm) inside bottom of unit base. See Typical flashing detail.

- | |
|---|
| 1 C1CURB14C-1 |
| 2 C1CURB16C-1 |
| 3 C1CURB15C-1 (used with 300 Models Only) |
| 4 C1CURB17C-1 (used with 300 Models Only) |

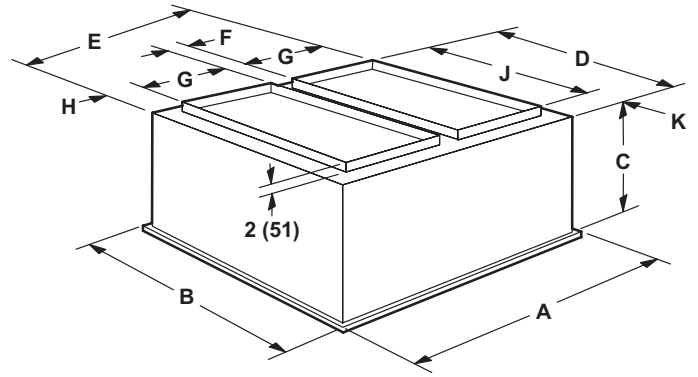
DIMENSIONS - ACCESSORIES

COMBINATION CEILING SUPPLY AND RETURN DIFFUSERS

STEP-DOWN CEILING DIFFUSER



FLUSH CEILING DIFFUSER



Model Number		RTD11-185S	RTD11-275
A	in.	47-5/8	59-5/8
	mm	1210	1514
B	in.	47-5/8	59-5/8
	mm	1210	1514
C	in.	24-5/8	30-5/8
	mm	625	778
D	in.	45-1/2	57-1/2
	mm	1156	1461
E	in.	45-1/2	57-1/2
	mm	1156	1461
F	in.	4-1/2	4-1/2
	mm	114	114
G	in.	18	24
	mm	457	610
H	in.	2-1/2	2-1/2
	mm	64	64
J	in.	36	48
	mm	914	1219
K	in.	4-3/4	4-3/4
	mm	121	121
L	in.	45-1/2	57-1/2
	mm	1156	1461
M	in.	45-1/2	57-1/2
	mm	1156	1461
N	in.	10-1/8	11-1/8
	mm	257	283
Duct Size	in.	18 x 36	24 x 48
	mm	457 x 914	610 x 1219

Model Number		FD11-185S	FD11-275
A	in.	47-5/8	59-5/8
	mm	1210	1514
B	in.	47-5/8	59-5/8
	mm	1210	1514
C	in.	29-1/4	35-1/4
	mm	743	895
D	in.	45	57
	mm	1143	1148
E	in.	45	57
	mm	1143	1448
F	in.	4-1/2	4-1/2
	mm	114	114
G	in.	18	24
	mm	457	610
H	in.	2-1/4	2-1/4
	mm	57	57
J	in.	36	48
	mm	914	1219
K	in.	4-1/2	4-1/2
	mm	114	114
Duct Size	in.	18 x 36	24 x 48
	mm	457 x 914	610 x 1219

REVISIONS

Section	Description
Optional Conventional Temperature Control Systems	Added BACnet controls.



Intertek

ALLIEDTM
Commercial

Visit us at www.allied-commercial.com

For the latest technical information, visit us at www.allied-commercial.com

Contact us at 1-800-448-5872

NOTE - Due to Allied Commercial ongoing commitment to quality, Specifications, Ratings and Dimensions subject to change without notice and without incurring liability. Improper installation, adjustment, alteration, service or maintenance can cause property damage or personal injury. Installation and service must be performed by a qualified installer and servicing agency.