

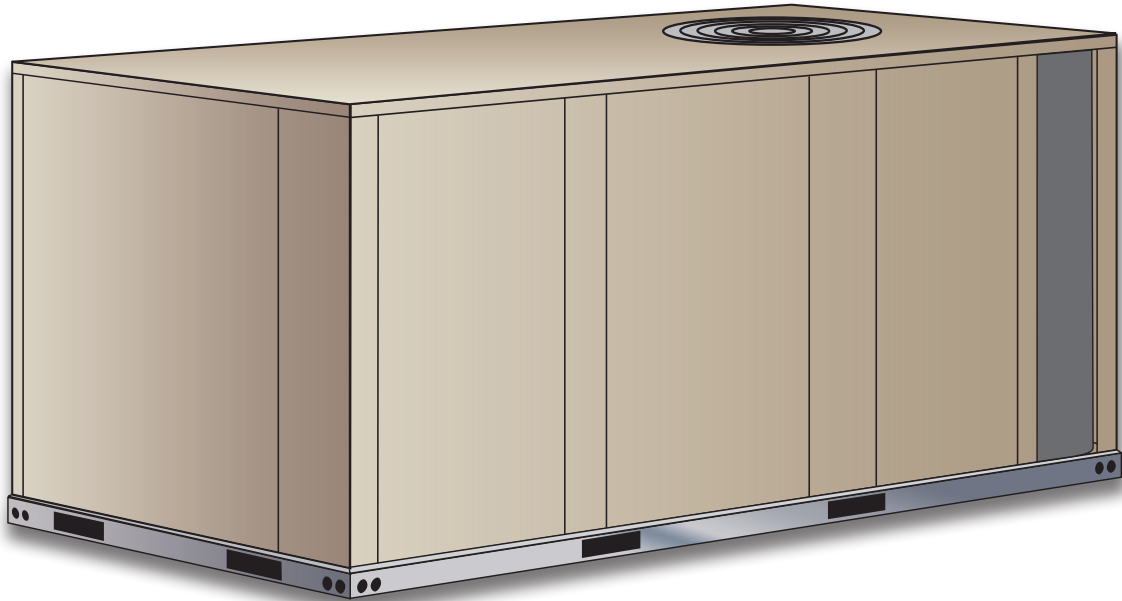


**KCB**

**K-Series™ Rooftop Units**  
Standard and High Efficiency - 60 Hz

**COMMERCIAL**  
**PRODUCT SPECIFICATIONS**

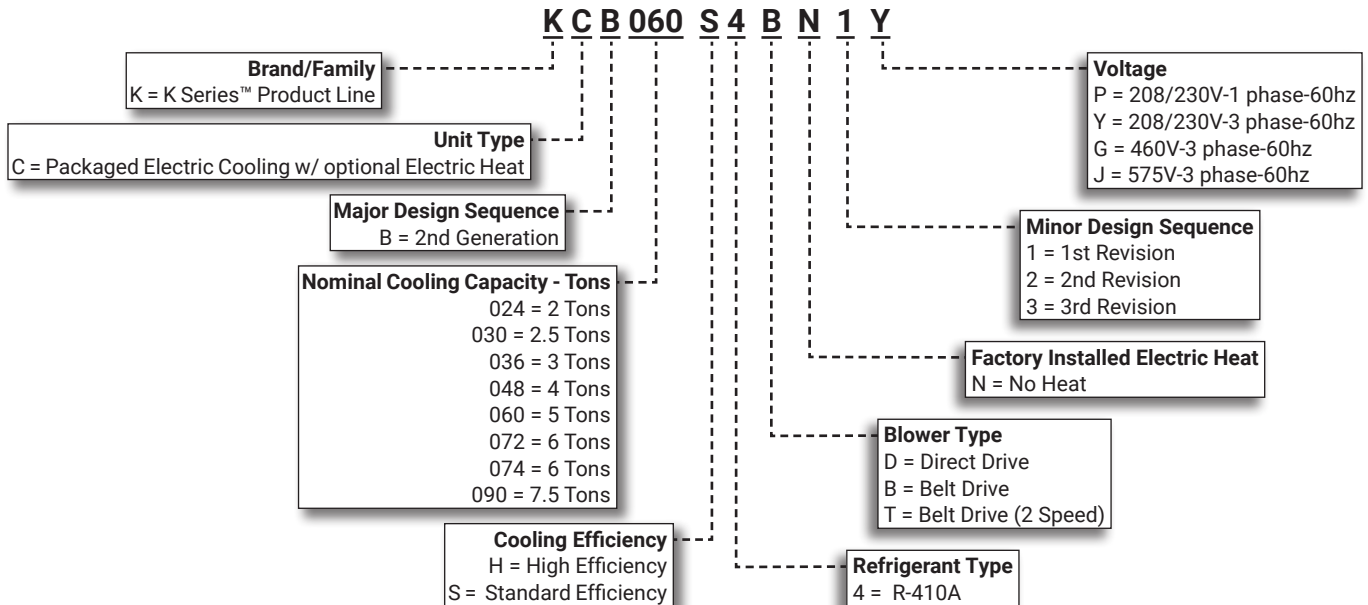
Bulletin No. 310789  
April 2020  
Supersedes March 2020



**ASHRAE 90.1**  
**COMPLIANT**

**2 to 7.5 Tons**  
**Net Cooling Capacity - 24,200 to 88,000 Btuh**  
**Optional Electric Heat - 5 to 30 kW**

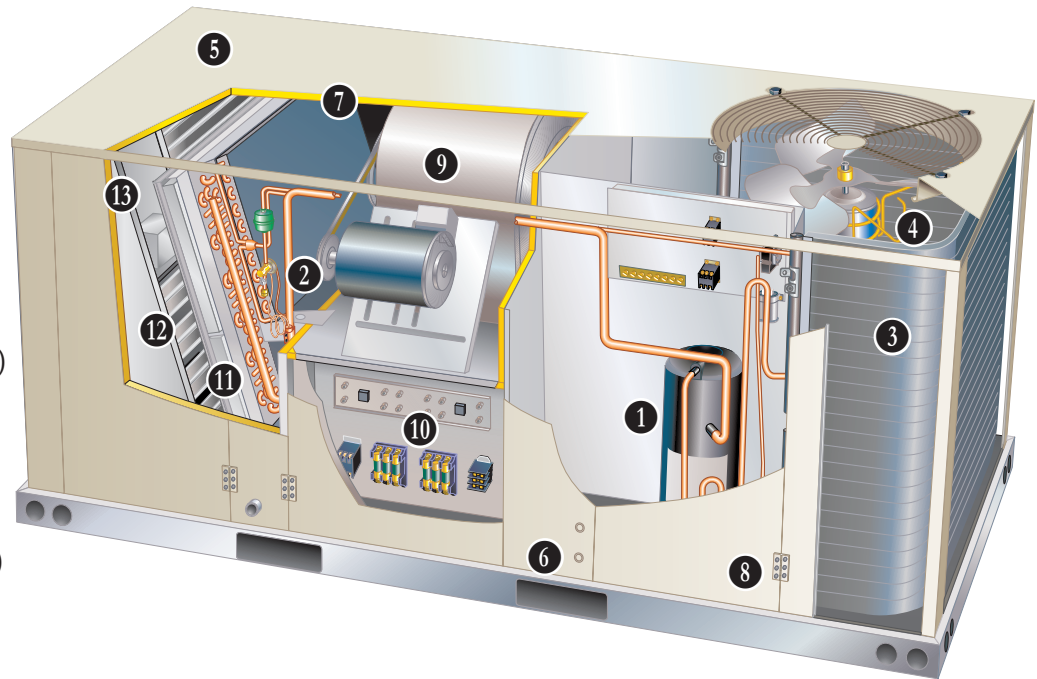
**MODEL NUMBER IDENTIFICATION**



## FEATURE HIGHLIGHTS

K Series rooftop units from Allied are the new standard for reliable, efficient rooftop units built for long-lasting performance that can significantly improve indoor environments.

1. Scroll Compressor
2. Thermal Expansion Valves
3. Eco-Last™ Coil System
4. Outdoor Coil Fan Motors
5. Heavy Gauge Steel Cabinet
6. Power Entry
7. Insulation
8. Hinged Access Panels (option)
9. Supply Air Blower
10. Electric Heat (option)
11. Air Filters
12. Economizer (option)
13. Power Exhaust Fans (option)



## CONTENTS

Approvals and Warranty . . . . .	3
Blower Data . . . . .	28
Dimensions - Accessories . . . . .	58
Dimensions - Unit . . . . .	57
Electrical/Electric Heat Data . . . . .	43
Electric Heat Capacities . . . . .	55
Features And Benefits . . . . .	3
Dehumidification System Option . . . . .	10
Dehumidification System Ratings . . . . .	26
Model Number Identification. . . . .	1
Optional Conventional Temperature Control Systems . . . . .	9
Options / Accessories . . . . .	11
Outdoor Sound Data . . . . .	42
Ratings . . . . .	21
Specifications - Belt Drive Blower . . . . .	17
Specifications - Direct Drive Blower . . . . .	15
Unit Clearances . . . . .	55
Weight Data . . . . .	56

## APPROVALS AND WARRANTY

### APPROVALS

- AHRI Standard 210/240 certified (2 - 5 ton models)
- AHRI Standard 340/360 certified (6 and 7.5 ton models)
- ETL and CSA listed
- CSA certified energy ratings
- Unit and components ETL, NEC and CEC bonded for grounding to meet safety standards for servicing
- All models are ASHRAE 90.1 compliant
- ISO 9001 Registered Manufacturing Quality System

### WARRANTY

- Compressors - Limited five years
- Allied Eco-Last™ Coil System - Limited three years
- Optional High Performance Economizers - Limited five years
- All other covered components - Limited one year

## FEATURES AND BENEFITS

### COOLING SYSTEM

- Designed to maximize sensible and latent cooling performance at design conditions
- System can operate from 30°F to 125°F without any additional controls

#### R-410A Refrigerant

- Non-chlorine based
- Ozone-friendly

#### 1 Single Speed Scroll Compressor (024 through 072 Models)

- High performance, reliability and quiet operation
- Resiliently mounted on rubber grommets for quiet operation

#### Two-Stage Scroll Compressor (074 and 090 Models)

- Two-stage for increased part load efficiency, high performance, reliability and quiet operation
- Resiliently mounted on rubber grommets for quiet operation

#### Compressor Crankcase Heater

- Protects against refrigerant migration that can occur during low ambient operation

#### 2 Thermal Expansion Valve

- Assures optimal performance throughout the application range
- Removable element head

#### High Pressure Switch

- Protects the system from high pressure conditions

#### Filter/Drier

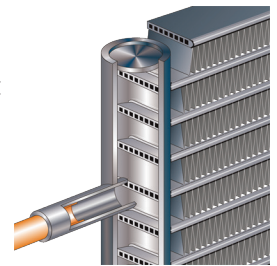
- High capacity filter/drier protects the system from dirt and moisture

#### Freezestat

- Protects the evaporator coil from damaging ice build-up due to conditions such as low/no air flow, or low refrigerant charge

#### 3 Eco-Last™ Coil System

- Lightweight, all aluminum brazed fin construction
- Constructed of three components:
  - A flat extrusion tube
  - Fins in-between the flat extrusion tube
  - Two refrigerant manifolds



#### Eco-Last™ Coil System Features:

- Improved heat transfer performance due to high primary surface area (flat tubes) versus secondary surface (fins)
- Smaller internal volume (reduced refrigerant charge)
- High durability
- All aluminum construction
- Fewer brazed joints
- Compact design
- Reduced unit weight
- Easy maintenance/cleaning
- Mounting brackets with rubber inserts

#### Evaporator Coil

- Copper tube construction
- Enhanced rippled-edge aluminum fins
- Flared shoulder tubing connections
- Silver soldered construction
- Factory leak tested
- Cross row circuiting with rifled tubing

#### Condensate Drain Pan

- Plastic pan, sloped to meet drainage requirements of ASHRAE 62.1
- Side or bottom drain connections
- Reversible to allow connection at back of unit

## FEATURES AND BENEFITS

### COOLING SYSTEM (continued)

- 4 Outdoor Coil Fan Motor**
- Thermal overload protected
  - Totally enclosed
  - Permanently lubricated sleeve bearings (024, 030, 036 and 048 models)
  - Permanently lubricated ball bearings (060, 072, 074, and 090 models)
  - Shaft up
  - Wire basket mount

#### **Outdoor Coil Fan**

- PVC coated fan guard furnished

### Required Selections

#### **Cooling Capacity**

- Specify nominal cooling capacity

### Options/Accessories

#### **Factory Installed**

**Conventional Fin/Tube Condenser Coil (replaces Eco-Last™ Coil System) (All except 072 and 074H)**

- Copper tube construction
- Enhanced rippled-edge aluminum fins
- Flared shoulder tubing connections
- Silver soldered construction

**NOTE** - Required if Dehumidification System is ordered.

#### **Field Installed**

##### **Condensate Drain Trap**

- Field installed only
- Available in copper or PVC

##### **Drain Pan Overflow Switch**

- Monitors condensate level in drain pan, shuts down unit if drain becomes clogged

##### **Low Ambient Kit (0°F)**

- Cycles the outdoor fan while allowing compressor operation in the cooling cycle
- This intermittent fan operation allows the system to operate without icing the evaporator coil and losing capacity
- Designed for use in ambient temperatures no lower than 0°F

**NOTE** - A crankcase heater must be installed on the compressor.

### CABINET

- 5 Construction**
- Heavy-gauge steel panels
  - Two-layer enamel paint finish
  - Full perimeter heavy-gauge galvanized steel base rail
  - Base rails have rigging holes
  - Three sides of the base rail have forklift slots
  - Raised edges around duct and power entry openings in the bottom of the unit for water protection

#### **Airflow Choice**

- Units are shipped in downflow (vertical) return air configuration
- Can be field converted to horizontal air flow configuration without the need of a kit

**6 Power Entry**

- Electrical lines can be brought through the unit base or through horizontal access knock-outs

**7 Insulation**

- Fully insulated with non-hygroscopic fiberglass insulation (conditioned areas)
- Unit base is fully insulated
- Base insulation serves as an air seal to the roof curb, eliminating the need to add a seal during installation

#### **Access Panels**

- Economizer/Filter section
- Heating/Blower section
- Compressor/Controls section

**NOTE** - KCB060/074/090 models include a filler panel for proper cabinet fit for optional accessories (Economizers, Power Exhaust, Outdoor Air Dampers and Barometric Relief Dampers).

### Options/Accessories

#### **Factory Installed**

##### **Corrosion Protection**

- Completely flexible immersed coating
- Electrodeposited dry film process
- AST ElectroFin E-Coat
- Meets Mil Spec MIL-P-53084, ASTM B117 Standard Method Salt Spray Testing
- Indoor Corrosion Protection:
  - Coated coil
  - Coated reheat coil (Dehumidification)
  - Painted blower housing
  - Painted base
- Outdoor Corrosion Protection:
  - Coated coil
  - Painted outdoor base

**8 Hinged Access Panels**

- Economizer/Filter section
- Heating/Blower section
- Compressor/Controls section
- Panel seals and quarter-turn latching handles provide a tight air and water seal

#### **Field Installed**

##### **Combination Coil/Hail Guards**

- Heavy gauge steel frame
- Painted to match cabinet
- Expanded metal mesh protects outdoor coil

## FEATURES AND BENEFITS

### **CONTROLS**

#### **Unit Control**

- All control voltage is provided via a 24V (secondary) transformer with built-in circuit breaker protection
- Up to 2 heat / 2 cool staging with a third party DDC control system or thermostat
- Low voltage terminal block provides screw terminal connections for thermostat or controller wiring
- Night Setback Mode saves energy by closing outdoor air dampers and operating supply fan on thermostat demand only

#### **Options/Accessories**

#### **Field Installed**

##### **Smoke Detector**

- Photoelectric type
- Installed in supply air section, return air section or both sections
- Available with power board and single sensor (supply or return) or power board and two sensors (supply and return)
- Power board located in unit control compartment

##### **Thermostats**

- Control system and thermostat options see page 9

### **BLOWER**

- A wide selection of supply air blower options are available to meet a variety of air flow requirements

#### **Motor**

- Overload protected
- Ball bearings (belt drive)
- Sleeve bearings (direct drive).
- Direct drive motors available on 024, 030, 036, 048 and 060 models
- Single Speed belt drive motors available on 036, 048, 060 and 072 models and are available in several different sizes to maximize air performance
- Two-speed belt drive motors (low static/high static) available on 074 and 090 models in several different sizes to maximize air performance

#### **9 Supply Air Blower**

- Forward curved blades
- Blower wheel statically and dynamically balanced
- Belt drive motors have adjustable pulley for speed change

#### **Required Selections**

##### **Supply Air Blower**

- Order direct drive or belt drive blower (See Blower Data Table for specifications)
- Belt Drive - Order drive kit, see Drive Kit Specifications Table

### **ELECTRICAL**

#### **Marked & Color-Coded Wiring**

- All electrical wiring is color-coded and marked to identify which components it is connecting

#### **Electrical Plugs**

- Positive connection electrical plugs are used to connect common accessories or maintenance parts for easy removal or installation

#### **Required Selections**

##### **Voltage Choice**

- Specify when ordering base unit

##### **Options/Accessories**

#### **Factory or Field Installed**

##### **Disconnect Switch**

- Accessible from outside of unit
- Spring loaded weatherproof cover furnished

##### **GFI Service Outlets (2)**

- 115V ground fault circuit interrupter (GFCI) type
- Non-powered
- Field-wired

#### **Field Installed**

##### **10 Electric Heat**

- Helix wound nichrome elements
- Individual element limit controls
- Wiring harness
- Unit fuse block
- See Options / Accessories tables for ordering information

##### **GFI Weatherproof Cover**

- Single-gang cover
- Heavy-duty UV-resistant polycarbonate case construction
- Hinged base cover with gasket

## FEATURE AND BENEFITS

### INDOOR AIR QUALITY

- 11 Air Filters
- Disposable 2 inch filters furnished as standard

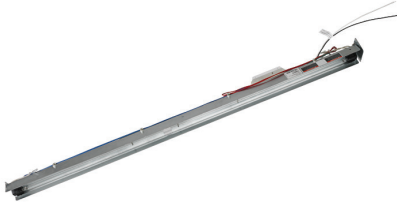
#### Options/Accessories

### Field Installed

#### High Efficiency Air Filters

- Disposable MERV 8 or MERV 13 (Minimum Efficiency Reporting Value based on ASHRAE 52.2) efficiency 2 inch pleated filters

#### UVC Germicidal Lamps



- Germicidal lamps emit ultra-violet (UV-C) energy, which has been proven to be effective in reducing microbes such as viruses, bacteria, yeasts, and molds
- This process either destroys the organism or controls its ability to reproduce
- UV-C energy greatly reduces the growth and proliferation of mold and other bioaerosols (bacteria and viruses) on illuminated surfaces (particularly coil and drain pan)
- Field installed in the blower/evaporator coil section
- All necessary hardware for installation is included
- Lamps operate on 208/230V power supply

**NOTE** - Step-down transformer must be field supplied when used with 460V and 575V rooftop units.

- Magnetic safety interlock terminates power when access panels are removed
- Approved by ETL

#### Indoor Air Quality (CO<sub>2</sub>) Sensors

- Monitors CO<sub>2</sub> levels
- Reports to the Unit Controller which adjusts economizer dampers as needed

## OPTIONS/ACCESSORIES

### ECONOMIZER

#### Factory or Field Installed

- 12 Economizer (Standard and High Performance Common Features)
- Combination Outdoor Air Hood is furnished
  - Factory installed Economizer can be ordered with two exhaust options:
    - Barometric Relief Dampers
    - No Exhaust
  - Field installed Economizer includes Barometric Relief Dampers with Combination Hood
  - Barometric Relief Dampers allow relief of excess air, dampers prevent blow back and outdoor air infiltration during off cycle, bird screen furnished

**NOTE** - Barometric Relief Dampers are required when Economizer is factory installed with field installed Power Exhaust Fan option. See Power Exhaust Fan section and Options/Accessories table.

- Occupied/Unoccupied mode with field furnished setback thermostat
- Demand Control Ventilation (DCV) ready using optional CO<sub>2</sub> sensors
- Mixed Air Sensor is furnished for field installation in the rooftop unit

**NOTE** - Sensor is factory installed when Economizers are factory installed.

- Single sensible sensor is furnished with Economizer and enables economizer operation if the outdoor temperature is less than the setpoint of the control
- Horizontal Barometric Dampers are required for horizontal Economizer applications and must be ordered separately

#### Standard Economizer Features (Not for Title 24)

- Gear-driven action
- Return air and outdoor air dampers
- Plug-in connections to unit
- Neoprene seals
- 24-volt, fully-modulating spring return motor





## OPTIONS/ACCESSORIES

### EXHAUST

#### **Field Installed**

##### **Horizontal Barometric Relief Dampers**

- For use when unit is configured for horizontal applications with an economizer
- Allows relief of excess air
- Blade type dampers prevent blow back and outdoor air infiltration during off cycle
- Field installed in return air duct
- Exhaust hood with bird screen furnished

**NOTE** - Requires Horizontal Economizer Conversion Kit.

##### **Horizontal Economizer Conversion Kit**

- Insulated panel covers the bottom return air opening on the unit base to convert downflow Economizer to horizontal airflow

#### **13 Power Exhaust Fan**

- Installs internal to unit for downflow applications only with Economizer option
- Provides exhaust air pressure relief
- Interlocked to run when supply air blower is operating, fan runs when outdoor air dampers are 50% open (adjustable)
- Motor is overload protected.
- 16 in. diameter fan
- 4 fan blades
- 1/3 hp motor

**NOTE** - Not available for 024 and 030 models.

**NOTE** - If Power Exhaust is field installed with a factory installed Economizer, the Economizer must be ordered with No Exhaust option. Barometric Relief Dampers must also be ordered separately for field installation.

### OUTDOOR AIR

#### **Factory or Field Installed**

##### **Outdoor Air Dampers - Downflow or Horizontal With Air Hood**

- Single blade damper
- 0 to 25% (fixed) outdoor air adjustable
- Installs in unit
- Includes outdoor air hood
- Automatic model features fully modulating spring return damper motor with plug-in connection
- Manual model features a slide damper
- Maximum mixed air temperature in cooling mode: 100°F

### ROOF CURBS

#### **Field Installed**

- Nailer strip furnished
- Mates to unit
- US National Roofing Contractors Approved
- Shipped knocked down

#### **Hybrid Roof Curbs**

- Downflow
- Interlocking tabs fasten corners together
- No tools required
- Can also be fastened together with furnished hardware
- Available in 8, 14, 18, and 24 inch heights

#### **Full Perimeter Curbs, Downflow (090 Models Only)**

- Hybrid roof curbs can be assembled using interlocking tabs to fasten corners together
- No tools required.
- Can also be fastened together with furnished hardware
- Available in 8, 14, 18, and 24 inch heights

**NOTE** - 090 models can be used on smaller 79-3/4 in. Hybrid Roof Curbs (not full perimeter) with 15-3/4 in. overhang at condenser end of unit. See dimension drawing on page 60.

#### **Adjustable Pitch Curb**

- Downflow
- Fully adjustable pitch curbs (3/4 in. per foot in any direction) provide a level platform for rooftop units allowing flexible installations on roofs with uneven or sloped angles
- Uses interlocking tabs to fasten corners together. No tools required
- Hardware is furnished to connect upper curb with lower curb
- Available in 14 inch height

#### **Adaptor Curbs (not shown)**

- Curbs are regionally sourced
- Dimensions vary based upon the source

**NOTE** - Contact your local sales representative for a detailed cut sheet with applicable dimensions.

### CEILING DIFFUSERS

#### **Field Installed**

##### **Ceiling Diffusers (Flush or Step-Down)**

- White powder coat finish on diffuser face and grilles
- Insulated UL listed duct liner
- Diffuser box has collars for duct connection
- Step-down diffusers have double deflection blades
- Flush diffusers have fixed blades
- Provisions for suspending
- Internally sealed to prevent recirculation
- Removable return air grille
- Adapts to T-bar ceiling grids or plaster ceilings

##### **Transitions (Supply and Return)**

- Used with diffusers
- Installs in roof curb
- Galvanized steel construction
- Flanges furnished for duct connection to diffusers
- Fully insulated



## OPTIONAL CONVENTIONAL TEMPERATURE CONTROL SYSTEMS

### Bacnet Compatible Thermostat With Reheat Function



- 7-Day Programmable
- For units with or without Dehumidification option
- BTL listed MS/TP ensures compatibility with any BACnet system
- Built-in control programs for conventional and heat pump applications
- Conventional systems up to 3-stage heat and 3-stage cool
- Heat pumps with 1 or 2 compressors and up to 2-stage auxiliary heat
- On-board temperature and humidity sensor
- Multiple configurable inputs and outputs enable advanced control strategies
- Set-up Wizard enables rapid system configuration
- No special tools required for installation or commissioning
- Seven-day (2, 4 or 6 event) occupancy scheduling per day
- Backlit 5-inch LCD touchscreen

Description	Model No.	Catalog No.
<b>BACnet Controls</b>	<sup>1</sup> 7-Day BACnet Thermostat	---
	<sup>2</sup> BACnet Module (factory or field)	KOCTRL31A-2
<sup>3</sup> <b>BACnet Room Sensors</b>	With Display	KOSNSR01FF1
	Without Display	KOSNSR00FF1
<b>BACnet Accessories</b>	Plenum Cable (RJ45/CAT5 75 ft.)	KOMISC00FF1

<sup>1</sup> BACnet Thermostat (Y8241) will control units with and without Dehumidification option. If there is a mix of units equipped with and without Dehumidification on the same site, this thermostat can be used for all units if suitable.

<sup>2</sup> Not compatible with units equipped with Dehumidification option.

<sup>3</sup> Only compatible with BACnet Module (16X70).

## DEHUMIDIFICATION SYSTEM OPTION

### OVERVIEW

**NOTE** - Not available with Eco-Last™ Coil System.  
Conventional Fin/Tube condenser coil must be ordered as a factory option.

- Factory installed option designed to control humidity
- Provides dehumidification on demand using ASHRAE 90.1 recommended method for comfort conditioning humidity controller
- Unit comes equipped with one row reheat coil, solenoid valve and humidity controller
- A dehumidistat or thermostat with a dehumidification output or a DDC controller with an isolated output is required to control humidity and must be located in the occupied space
- Reheat controls are located in the compressor control section of the unit for easy access

### BENEFITS

- Improves indoor air quality
- Helps prevent damage due to high humidity levels
- Improves comfort levels by reducing space humidity levels

### OPERATION

#### No Dehumidification Demand

- The unit will operate conventionally whenever there is a demand for cooling or heating and no dehumidification demand
- Free cooling is only permitted when there is no demand for dehumidification

#### Dehumidification Demand Only

- Reheat operation will initiate on a dehumidification demand and does not require a cooling demand
- Unit will operate in the dehumidification mode until the relative humidity of the conditioned space is below the setpoint
- Reheat coil is sized to provide 68°F to 75°F supply air during reheat operation

- This reduces sensible cooling capacity and extends compressor run time to control humidity when the cooling load is low
- A solenoid valve diverts hot gas from the compressor to the reheat coil
- The cooled and dehumidified air from the evaporator is reheated as it passes through the reheat coil
- The de-superheated and partially condensed refrigerant continues to the outdoor condenser coil where condensing is completed
- The unit will continue to operate in this mode until the dehumidification demand is satisfied

#### Dehumidification and Cooling Demand (Thermostat/ Room Sensor Application)

##### Two-stage compressor models (074S, 090S)

- A dehumidification demand sends both the blower (if T type blower is selected) and compressor to high speed
- If both a dehumidification and a Y1 cooling demand occur, the system will ignore the Y1 demand and continue to operate in dehumidification mode
- If a Y2 cooling demand occurs along with a dehumidification demand, the system operates in full cooling mode at full cooling airflow until the Y2 cooling demand is satisfied
- Then the system will revert to the dehumidification mode if a dehumidification mode demand is present

##### Single speed compressor model (024S through 060S)

- A two stage thermostat is required for dehumidification to operate with a single speed system
- If both a dehumidification and a Y1 cooling demand occur, the system will ignore the Y1 demand and continue to operate in dehumidification mode until the humidity setpoint is reached
- A Y2 demand will shut off dehumidification mode and normal cooling will resume until demand is satisfied

### Options/Accessories

#### Field Installed

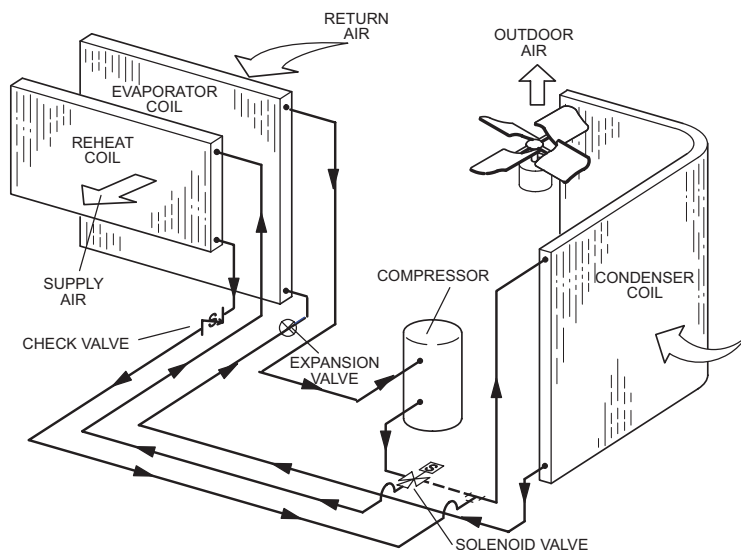
##### Dehumidistat

- Remote mounted dehumidistat for factory installed dehumidification option
- Adjustable 20-80%

**NOTE** - A thermostat with a dehumidification output or a DDC controller with an isolated output can be used instead.

- See Conventional Thermostat Control Systems on page 9 for additional control options

TYPICAL DEHUMIDIFICATION SCHEMATIC



## OPTIONS / ACCESSORIES

Item	Model No.	Catalog No.	Unit Model No.								
			KCB 024	KCB 030	KCB 036	KCB 048	KCB 060	KCB 072	KCB 074	KCB 090	
<b>COOLING SYSTEM</b>											
Condensate Drain Trap	PVC - C1TRAP20AD2	<b>76W26</b>	X	X	X	X	X	X	X	X	
	Copper - C1TRAP10AD2	<b>76W27</b>	X	X	X	X	X	X	X	X	
Conventional Fin/Tube Condenser Coil (replaces Eco-Last™ Coil System)		Factory	O	O	O	O	O		<sup>1</sup> O	O	
Drain Pan Overflow Switch	K1SNSR71AB1-	<b>74W42</b>	X	X	X	X	X	X	X	X	
Low Ambient Kit	K1SNSR33AN2	<b>14D89</b>	X	X	X	X	X	X	X	X	
Efficiency	High								O	O	
	Standard		O	O	O	O	O			O	
Refrigerant Type		R-410A	O	O	O	O	O	O	O	O	
<b>BLOWER - SUPPLY AIR</b>											
Motors	Direct Drive - 0.25 hp (208/230V-1ph)	Factory	O	O							
	Direct Drive - 0.5 hp (208/230V-1ph, 208/230V-3ph, 460V-3ph, 575V-3ph)	Factory			O	O					
	Direct Drive - 0.75 hp (208/230V-1ph, 208/230V-3ph, 460V-3ph, 575V-3ph)	Factory					O				
	Belt Drive - 0.75 hp (208/230V-1ph) Standard Efficiency	Factory			O	O	O				
	Belt Drive - 1.5 hp (208/230V-1ph) Standard Efficiency	Factory			O	O	O				
	Belt Drive - 1 hp (208/230V, 460V, 575V-3ph) Standard Efficiency	Factory			O	O	O	O	<sup>4</sup> O	<sup>5</sup> O	
	Belt Drive - 2 hp (208/230V, 460V, 575V-3ph) Standard Efficiency	Factory			O	O	O	O	<sup>4</sup> O	<sup>5</sup> O	
	Belt Drive - 3 hp (208/230V, 460V, 575V-3ph) Standard Efficiency	Factory								<sup>5</sup> O	
	Belt Drive - 1 hp (208/230V, 460V, 575V-3ph) ( 2 Speed)	Factory							<sup>4</sup> O		
	Belt Drive - 2 hp (208/230V, 460V, 575V-3ph) (2 Speed)	Factory							<sup>4</sup> O	<sup>6</sup> O	
	Drive Kits See Blower Data Tables for selection	Kit A01 - T1DRKT001-1 - 673-1010 rpm	Factory			O					
		Kit A02 - T1DRKT002-1 - 745-1117 rpm	Factory				O				
		Kit A03 - T1DRKT003-1 - 833-1250 rpm	Factory					O			
Kit A04 - T1DRKT004-1 - 968-1340 rpm		Factory							<sup>1</sup> O		
Kit A05 - T1DRKT005-1 - 897-1346 rpm		Factory			O						
Kit A06 - T1DRKT006-1 - 1071-1429 rpm		Factory				O					
Kit A07 - T1DRKT007-1 - 1212-1548 rpm		Factory					O				
Kit A08 - T1DRKT008-1 - 1193-1591 rpm		Factory							<sup>2</sup> O		
Kit AA01 - T1DRKT001AP1 - 522-784 rpm		Factory							O	<sup>3</sup> O	
Kit AA02 - T1DRKT002AP1 - 632-875 rpm		Factory							O	<sup>3</sup> O	
Kit AA03 - T1DRKT003AP1 - 798-1105 rpm	Factory							O	<sup>3</sup> O		
Kit AA04 - T1DRKT004AP1 - 921-1228 rpm	Factory								<sup>7</sup> O		
<b>CABINET</b>											
Combination Coil/Hail Guards	C1GARD51A-1	<b>13R98</b>	X	X	X	X					
	C1GARD51AT1	<b>13T03</b>						X	X	X	
	K1GARD50AP1	<b>13T17</b>								X	
Corrosion Protection			O	O	O	O	O	O	O	O	
Hinged Access Panels			O	O	O	O	O	O	O	O	
<b>CONTROLS</b>											
<b>NOTE - Also see Conventional Thermostat Control Systems on page 9 for Additional Options.</b>											
Smoke Detector - Supply or Return (Power board and one sensor)	C1SNSR44AP1	<b>53W78</b>	X	X	X	X	X	X	X	X	
Smoke Detector - Supply and Return (Power board and two sensors)	C1SNSR43AP1	<b>53W79</b>	X	X	X	X	X	X	X	X	

<sup>1</sup> 074S models only.

<sup>2</sup> 074S Belt Drive models only.

<sup>3</sup> 074H Belt Drive models only.

<sup>4</sup> KCB074B models have an optional 1hp or 2hp **Single Speed** Belt Drive; KCB074T models have an optional 1hp or 2hp **Two Speed** Belt Drive

<sup>5</sup> KCB090B models have an optional 1hp, 2hp or 3hp Single Speed Belt Drive

<sup>6</sup> KCB090T models have 2hp Two Speed Belt Drive

<sup>7</sup> KCB090B with 3 hp blower motor only.

NOTE - The catalog and model numbers that appear here are for ordering field installed accessories only.

OX - Field Installed or Configure to Order (factory installed)

O - Configure to Order (Factory Installed)

X - Field Installed

## OPTIONS / ACCESSORIES

Item	Model No.	Catalog No.	Unit Model No.								
			KCB 024	KCB 030	KCB 036	KCB 048	KCB 060	KCB 072	KCB 074	KCB 090	
<b>ECONOMIZER</b>											
<b>Standard Economizer With Outdoor Air Hood (Sensible Control) (Not for Title 24)</b>											
Standard Economizer - Includes Barometric Relief Dampers and Combination Hood	K1ECON30A-3-	14D90	OX	OX	OX	OX	OX	OX	OX	OX	
Standard Economizer - No Exhaust		Factory	O	O	O	O	O	O	O	O	
<b>Standard Economizer Controls (Not for Title 24)</b>											
Single Enthalpy Control	C1SNSR64FF1	53W64	OX	OX	OX	OX	OX	OX	OX	OX	
Differential Enthalpy Control (order 2)	C1SNSR64FF1	53W64	X	X	X	X	X	X	X	X	
<b>High Performance Economizer With Outdoor Air Hood (Sensible Control) (Approved for California Title 24 Building Standards / AMCA Class 1A Certified)</b>											
High Performance Economizer - Includes Barometric Relief Dampers and Combination Hood	K1ECON32A-3	16X75	OX	OX	OX	OX	OX	OX	OX	OX	
<b>High Performance Economizer Controls (Not for Title 24)</b>											
Single Enthalpy Control	C1SNSR60FF1	10Z75	OX	OX	OX	OX	OX	OX	OX	OX	
Differential Enthalpy Control (order 2)	C1SNSR60FF1	10Z75	X	X	X	X	X	X	X	X	
<b>Economizer Accessories</b>											
Horizontal Economizer Conversion Kit	T1HECK00AN1	17W45	X	X	X	X	X	X	X	X	
<b>POWER EXHAUST FAN</b>											
Standard Static <i>NOTE - Field installed</i>	208/230V-1 or 3ph - C1PWRE10A-1P	79W87			X	X	X	X	X	X	
Power Exhaust Fan <i>requires "Barometric Relief Dampers for Power Exhaust Kit" for field installation. See below.</i>	460V-3ph - C1PWRE10A-1G	79W88			X	X	X	X	X	X	
	575V-3ph - C1PWRE10A-1J	79W89			X	X	X	X	X	X	
<b>BAROMETRIC RELIEF</b>											
<sup>1</sup> Barometric Relief Dampers for Power Exhaust Kit	C1DAMP50A-3-	19D42			X	X	X	X	X	X	
<sup>2</sup> Horizontal Barometric Relief Dampers With Exhaust Hood	LAGEDH03/15-2	19F01	X	X	X	X	X	X	X	X	
<b>OUTDOOR AIR</b>											
<b>Outdoor Air Dampers With Outdoor Air Hood</b>											
Motorized	C1DAMP21A-1	15D17	OX	OX	OX	OX	OX	OX	OX	OX	
Manual	C1DAMP11A-2	15D18	OX	OX	OX	OX	OX	OX	OX	OX	
<b>DEHUMIDIFICATION OPTION</b>											
Dehumidification Option		Factory	O	O	O	O	O		<input type="checkbox"/> O	O	
<sup>3</sup> Dehumidistat, Remote Mounted	C0SNSR30FF1L	99N41	X	X	X	X	X		<input type="checkbox"/> X	X	
<b>ELECTRICAL</b>											
Voltage	208/230V - 1 phase		O	O	O	O	O				
60 hz	208/230V - 3 phase				O	O	O	O	O	O	
	460V - 3 phase				O	O	O	O	O	O	
	575V - 3 phase				O	O	O	O	O	O	
Disconnect	See Electrical/Electric Heat Tables for selection		OX	OX	OX	OX	OX	OX	OX	OX	
GFI Service Outlets	15 amp non-powered, field-wired (208/230V, 460V only) LTAGFIK10/15	74M70	OX	OX	OX	OX	OX	OX	OX	OX	
	20 amp non-powered, field-wired (575V only)	C1GFICI20FF1	67E01	X	X	X	X	X	X	X	
Weatherproof Cover for GFI	C1GFICI99FF1	10C89	X	X	X	X	X	X	X	X	

<sup>1</sup> Required when Economizer is factory installed with field installed Power Exhaust Fan option.

<sup>2</sup> Required when Economizer is configured for horizontal airflow.

<sup>3</sup> A thermostat with a dehumidification output or a DDC controller with an isolated output can be used instead.

<sup>4</sup> 074S models only.

NOTE - The catalog and model numbers that appear here are for ordering field installed accessories only.

OX - Field Installed or Configure to Order (factory installed)

O - Configure to Order (Factory Installed)

X - Field Installed

## OPTIONS / ACCESSORIES

Item	Model No.	Catalog No.	Unit Model No.							
			KCB 024	KCB 030	KCB 036	KCB 048	KCB 060	KCB 072	KCB 074	KCB 090
<b>ELECTRIC HEAT</b>										
5 kW	208/230V- 1ph - K1EH0050A-1P	<b>12F06</b>	X	X						
7.5 kW	208/230V-1ph - T1EH0075AN1P	<b>14W32</b>	X	X	X	X	X			
	208/230V-3ph - T1EH0075AN1Y	<b>14W35</b>			X	X	X	X	X	X
	460V-3ph - T1EH0075AN1G	<b>14W39</b>			X	X	X	X	X	X
	575V-3ph - T1EH0075AN1J	<b>14W43</b>			X	X	X	X	X	X
10 kW	208/230V-1ph - T1EH0100A1P	<b>30W26</b>	X	X						
15 kW	208/230V-1ph - T1EH0150AN1P	<b>14W33</b>			X	X	X			
	208/230V-3ph - T1EH0150AN1Y	<b>14W36</b>			X	X	X	X	X	X
	460V-3ph - T1EH0150AN1G	<b>14W40</b>			X	X	X	X	X	X
	575V-3ph - T1EH0150AN1J	<b>14W44</b>			X	X	X	X	X	X
22.5 kW	208/230V-1ph - T1EH0225AN1P	<b>14W34</b>					X			
	208/230V-3ph - T1EH0225AN1Y	<b>14W37</b>					X	X	X	X
	460V-3ph - T1EH0225AN1G	<b>14W41</b>					X	X	X	X
	575V-3ph - T1EH0225AN1J	<b>14W45</b>					X	X	X	X
30 kW	208/230V-3ph - T1EH0300N-1Y	<b>14W38</b>						X	X	X
	460V-3ph - T1EH0300N-1G	<b>14W42</b>						X	X	X
	575V-3ph - T1EH0300N-1J	<b>14W46</b>						X	X	X
<b>INDOOR AIR QUALITY</b>										
<b>Air Filters</b>										
High Efficiency Air Filters Order 4 per unit	MERV 8 (16 x 20 x 2) - C1FLTR15A-1-	<b>54W20</b>	X	X	X	X				
	MERV 13 (16 x 20 x 2) - T1FLTR40A-1-	<b>52W37</b>	X	X	X	X				
	MERV 8 (20 x 20 x 2) - C1FLTR15D-1-	<b>54W21</b>					X	X	X	X
	MERV 13 (20 x 20 x 2) - C1FLTR40D-1-	<b>52W39</b>					X	X	X	X
<b>Indoor Air Quality (CO<sub>2</sub>) Sensors</b>										
Sensor - Wall-mount, off-white plastic cover with LCD display	C0SNSR50AE1L	<b>77N39</b>	X	X	X	X	X	X	X	X
Sensor - Wall-mount, black plastic case, no display, rated for plenum mounting	C0SNSR53AE1L	<b>87N54</b>	X	X	X	X	X	X	X	X
CO <sub>2</sub> Sensor Duct Mounting Kit - for downflow applications	C0MISC19AE1-	<b>85L43</b>	X	X	X	X	X	X	X	X
Aspiration Box - for duct mounting non-plenum rated CO <sub>2</sub> sensor ( <b>77N39</b> )	C0MISC16AE1-	<b>90N43</b>	X	X	X	X	X	X	X	X
<b>UVC Germicidal Lamps</b>										
<sup>1</sup> UVC Light Kit (208/230v-1ph)	E1UVCL10AN1-	<b>50W90</b>	X	X	X	X	X	X	X	X
<b>CEILING DIFFUSERS</b>										
Step-Down - Order one	RTD9-65S	<b>13K60</b>	X	X	X	X	X			
	RTD11-95S	<b>13K61</b>						X	X	X
Flush - Order one	FD9-65S	<b>13K55</b>	X	X	X	X	X			
	FD11-95S	<b>13K56</b>						X	X	X
Transitions (Supply and Return) - Order one	T1TRAN10AN1	<b>17W53</b>	X	X	X	X	X			
	T1TRAN20N-1	<b>17W54</b>						X	X	X

<sup>1</sup> Lamps operate on 110-230V single-phase power supply. Step-down transformer may be ordered separately for 460V and 575V units. Alternately, 110V power supply may be used to directly power the UVC ballast(s).

NOTE - The catalog and model numbers that appear here are for ordering field installed accessories only.

OX - Field Installed or Configure to Order (factory installed)

O - Configure to Order (Factory Installed)

X - Field Installed

## OPTIONS / ACCESSORIES

Item	Model No.	Catalog No.	Unit Model No.								
			KCB 024	KCB 030	KCB 036	KCB 048	KCB 060	KCB 072	KCB 074	KCB 090	
<b>ROOF CURBS</b>											
<b>Hybrid Roof Curbs, Downflow</b>											
8 in. height	C1CURB70A-1	11F50	X	X	X	X	X	X	X	<sup>1</sup> X	
14 in. height	C1CURB71A-1	11F51	X	X	X	X	X	X	X	<sup>1</sup> X	
18 in. height	C1CURB72A-1	11F52	X	X	X	X	X	X	X	<sup>1</sup> X	
24 in. height	C1CURB73A-1	11F53	X	X	X	X	X	X	X	<sup>1</sup> X	
<b>Hybrid Roof Curbs, Full Perimeter, Downflow</b>											
8 in. height	K1CURB70AP1	11S47								X	
14 in. height	K1CURB71AP1	11S48								X	
18 in. height	K1CURB72AP1	11T01								X	
24 in. height	K1CURB73AP1	11T06								X	
<b>Adjustable Pitch Curb</b>											
14 in. height	C1CURB55AT1	43W27	X	X	X	X	X	X	X	X	

<sup>1</sup> 090 models will fit smaller roof curbs with overhang. See dimension drawing.

NOTE - The catalog and model numbers that appear here are for ordering field installed accessories only.

OX - Field Installed or Configure to Order (factory installed)

O - Configure to Order (Factory Installed)

X - Field Installed



SPECIFICATIONS - DIRECT DRIVE BLOWER		2 TON   2.5 TON	
<b>General Data</b>	<b>Nominal Tonnage</b>	<b>2 Ton</b>	<b>2.5 Ton</b>
	<b>Model No.</b>	<b>KCB024S4D</b>	<b>KCB030S4D</b>
	<b>Efficiency Type</b>	<b>Standard</b>	<b>Standard</b>
	<b>Blower Type</b>	Multi-Speed Direct Drive	Multi-Speed Direct Drive
<b>Cooling Performance</b>	Gross Cooling Capacity - Btuh	24,600	31,000
	<sup>1</sup> Net Cooling Capacity - Btuh	24,000	30,000
	AHRI Rated Air Flow - cfm	810	1,000
	<sup>2</sup> Sound Rating Number (SRN) ((dBA)	74	74
	Total Unit Power - kW	1.9	2.4
	<sup>1</sup> SEER (Btuh/Watt)	14.0	14.0
	<sup>1</sup> EER (Btuh/Watt)	12.5	11.5
<b>Refrigerant Charge</b>	<b>Refrigerant Type</b>	R-410A	R-410A
	Eco-Last™ Coil System	4 lbs. 1 oz.	5 lbs. 5 oz.
	Conventional Fin/Tube Coil	10 lbs. 0 oz.	10 lbs. 8 oz.
	Conventional Fin/Tube With Dehumidification Option	9 lbs. 15 oz.	10 lbs. 7 oz.
<b>Electric Heat Available - See page 55</b>		5, 7.5, 10 kW	5, 7.5, 10 kW
<b>Compressor Type (one per unit)</b>		Scroll	Scroll
<b>Outdoor Coil Eco-Last™ (Fin/Tube)</b>	Net face area - sq. ft.	11.7 (15.6)	11.7 (15.6)
	Number of rows	1 (2)	1 (2)
	Fins per inch	23 (20)	23 (20)
<b>Outdoor Coil Fan</b>	Motor - (No.) HP	(1) 1/4	(1) 1/4
	Motor rpm	825	825
	Total Motor Input - watts	335	335
	Diameter - (No.) in. / No. of blades	(1) 24 - 4	(1) 24 - 4
	Total air volume - cfm	3700	3700
<b>Indoor Coil</b>	Net face area - sq. ft.	7.8	7.8
	Tube diameter - in.	3/8	3/8
	Number of rows	2	3
	Fins per inch	14	14
	Drain Connection (no.) and size - in.	(1) 1 NPT	(1) 1 NPT
	Expansion device type	Balanced Port Thermostatic Expansion Valve, removable power head	
<b>Indoor Blower</b>	Nominal Motor HP	0.25 hp	0.25 hp
	Wheel nominal diameter x width - in.	(1) 10 x 10	(1) 10 x 10
<b>Filters</b>	Type	Disposable	
	Number and size - in.	(4) 16 x 20 x 2	
<b>Electrical Characteristics - 60 Hz</b>		208/230V 1 phase	208/230V 1 phase

NOTE - Net capacity includes evaporator blower motor heat deduction. Gross capacity does not include evaporator blower motor heat deduction.

<sup>1</sup> AHRI Certified to AHRI Standard 210/240: 95°F outdoor air temperature and 80°F db/67°F wb entering evaporator air; minimum external duct static pressure.

<sup>2</sup> Sound Rating Number (SRN) rated in accordance with test conditions included in ARI Standard 270-95.

**SPECIFICATIONS - DIRECT DRIVE BLOWER**
**3 TON | 5 TON**

General Data		Nominal Tonnage	3 Ton	4 Ton	5 Ton
		Model No.	KCB036S4D	KCB048S4D	KCB060S4D
		Efficiency Type	Standard	Standard	Standard
		Blower Type	Multi-Speed Direct Drive	Multi-Speed Direct Drive	Multi-Speed Direct Drive
<b>Cooling Performance</b>	Gross Cooling Capacity - Btuh		37,300	49,700	60,900
	<sup>1</sup> Net Cooling Capacity - Btuh		36,000	47,500	58,500
	AHRI Rated Air Flow - cfm		1150	1560	1760
	<sup>2</sup> Sound Rating Number (SRN)((dBA)		74	74	83
	Total Unit Power - kW		2.9	4.1	5.0
	<sup>1</sup> SEER (Btuh/Watt)		14.0	14.0	14.0
	<sup>1</sup> EER (Btuh/Watt)		12.3	11.5	11.0
<b>Refrigerant Charge</b>	Refrigerant Type		R-410A	R-410A	R-410A
	Eco-Last™ Coil System		5 lbs. 9 oz.	5 lbs. 10 oz.	8 lbs. 0 oz.
	Conventional Fin/Tube Coil		11 lbs. 3 oz.	9 lbs. 13 oz.	14 lbs. 3 oz.
	Conventional Fin/Tube With Dehumidification Option		12 lbs. 7 oz.	9 lbs. 13 oz.	15 lbs. 3 oz.
<b>Electric Heat Available - See page 55</b>			7.5, 15 kW	7.5, 15 kW	7.5, 15, 22.5 kW
<b>Compressor Type (one per unit)</b>			Scroll	Scroll	Scroll
<b>Outdoor Coil Eco-Last™ (Fin/Tube)</b>	Net face area - sq. ft.		14.5 (15.6)	14.5 (15.6)	17.8 (19.3)
	Number of rows		1 (2)	1 (2)	1 (2)
	Fins per inch		23 (20)	23 (20)	23 (20)
<b>Outdoor Coil Fan</b>	Motor - (No.) HP		(1) 1/4	(1) 1/4	(1) 1/3
	Motor rpm		825	825	1075
	Total Motor Input - watts		325	325	375
	Diameter - (No.) in. / No. of blades		(1) 24 - 4	(1) 24 - 4	(1) 24 - 3
	Total air volume - cfm		3950	3950	4700
<b>Indoor Coil</b>	Net face area - sq. ft.		7.8	7.8	9.7
	Tube diameter - in.		3/8	3/8	3/8
	Number of rows		3	3	4
	Fins per inch		14	14	14
	Drain Connection (no.) and size - in.		(1) 1 NPT	(1) 1 NPT	(1) 1 NPT
	Expansion device type		Balanced Port Thermostatic Expansion Valve, removable power head		
<b>Indoor Blower</b>	Nominal Motor HP		0.5 hp	0.5 hp	0.75 hp
	Wheel nominal diameter x width - in.		(1) 10 x 10	(1) 10 x 10	(1) 11 x 10
<b>Filters</b>	Type		Disposable		
	Number and size - in.		(4) 16 x 20 x 2		(4) 20 x 20 x 2
<b>Electrical Characteristics - 60 Hz</b>			208/230V 1 phase	208/230V 1 phase	208/230V 1 phase
			208/230V, 460V & 575V 3 phase	208/230V, 460V & 575V 3 phase	208/230V, 460V & 575V 3 phase

NOTE - Net capacity includes evaporator blower motor heat deduction. Gross capacity does not include evaporator blower motor heat deduction.

<sup>1</sup> AHRI Certified to AHRI Standard 210/240: 95°F outdoor air temperature and 80°F db/67°F wb entering evaporator air; minimum external duct static pressure.

<sup>2</sup> Sound Rating Number (SRN) rated in accordance with test conditions included in ARI Standard 270-95.

**SPECIFICATIONS - BELT DRIVE BLOWER**

**SINGLE SPEED - 3 TON | 5 TON**

General Data		Nominal Tonnage	3 Ton	4 Ton	5 Ton
		Model No.	KCB036S4B	KCB048S4B	KCB060S4B
		Efficiency Type	Standard	Standard	Standard
		Blower Type	Single Speed Belt Drive	Single Speed Belt Drive	Single Speed Belt Drive
<b>Cooling Performance</b>	Gross Cooling Capacity - Btuh		37,300	49,700	60,900
	<sup>1</sup> Net Cooling Capacity - Btuh		36,000	47,500	58,500
	AHRI Rated Air Flow - cfm		1150	1560	1760
	<sup>2</sup> Sound Rating Number (SRN) (dBA)		74	74	83
	Total Unit Power - kW		2.9	4.1	5
	<sup>1</sup> SEER (Btuh/Watt)		14.0	14.0	14.0
	<sup>1</sup> EER (Btuh/Watt)		12.3	11.5	11.0
<b>Refrigerant Charge</b>	Refrigerant Type		R-410A	R-410A	R-410A
	Eco-Last™ Coil System		5 lbs. 9 oz.	5 lbs. 10 oz.	8 lbs. 0 oz.
	Conventional Fin/Tube Coil		11 lbs. 3 oz.	9 lbs. 13 oz.	14 lbs. 3 oz.
	Conventional Fin/Tube With Dehumidification Option		12 lbs. 7 oz.	9 lbs. 13 oz.	15 lbs. 3 oz.
<b>Electric Heat Available - See page 55</b>			7.5, 15 kW	7.5, 15 kW	7.5, 15, 22.5 kW
<b>Compressor Type (one per unit)</b>			Scroll	Scroll	Scroll
<b>Outdoor Coil Eco-Last™ (Fin/Tube)</b>	Net face area - sq. ft.		14.5 (15.6)	14.5 (15.6)	17.8 (19.3)
	Number of rows		1 (2)	1 (2)	1 (2)
	Fins / inch		23 (20)	23 (20)	23 (20)
<b>Outdoor Coil Fan</b>	Motor - (No.) HP		(1) 1/4	(1) 1/4	(1) 1/3
	Motor rpm		825	825	1075
	Total Motor Input - watts		325	325	375
	Diameter - (No.) in. / No. of blades		(1) 24 - 4	(1) 24 - 4	(1) 24 - 4
	Total air volume - cfm		3950	3950	4700
<b>Indoor Coil</b>	Net face area - sq. ft.		7.8	7.8	9.7
	Tube diameter - in.		3/8	3/8	3/8
	Number of rows		3	3	4
	Fins per inch		14	14	14
	Drain Connection (no.) and size - in.		(1) 1 NPT	(1) 1 NPT	(1) 1 NPT
	Expansion device type		Balanced Port Thermostatic Expansion Valve, removable power head		
<sup>3</sup> <b>Indoor Blower &amp; Drive Selection</b>	Nominal Motor HP	208/230V-1ph	0.75 hp, 1.5 hp	0.75 hp, 1.5 hp	0.75 hp, 1.5 hp
		All others voltages	1 hp, 2 hp	1 hp, 2 hp	1 hp, 2 hp
	Maximum Usable Motor HP	208/230V-1ph	0.86 hp, 1.7 hp	0.86 hp, 1.7 hp	0.86 hp, 1.7 hp
		All other voltages	1.15 hp, 2.3 hp	1.15 hp, 2.3 hp	1.15 hp, 2.3 hp
		Available Drive Kits	A01 673 - 1010 rpm A05 897 - 1346 rpm	A02 745 - 1117 rpm A06 1071 - 1429 rpm	A03 833 - 1250 rpm A07 1212 - 1548 rpm
		Wheel nominal diameter x width - in.	(1) 10 x 10	(1) 10 x 10	(1) 10 x 10
<b>Filters</b>	Type		Disposable		
	Number and size - in.		(4) 16 x 20 x 2		(4) 20 x 20 x 2
<b>Electrical Characteristics - 60 Hz</b>			208/230V 1 phase	208/230V, 1 phase	208/230V 1 phase
			208/230V, 460V & 575V 3 phase	208/230V 460V & 575V 3 phase	208/230V 460V & 575V 3 phase

NOTE - Net capacity includes evaporator blower motor heat deduction. Gross capacity does not include evaporator blower motor heat deduction.

<sup>1</sup> AHRI Certified to AHRI Standard 210/240: 95°F outdoor air temperature and 80°F db/67°F wb entering evaporator air; minimum external duct static pressure.

<sup>2</sup> Sound Rating Number (SRN) rated in accordance with test conditions included in ARI Standard 270-95.

<sup>3</sup> Using total air volume and system static pressure requirements determine from blower performance tables rpm and motor hp required. Maximum usable hp of motors furnished are shown. In Canada, nominal motor hp is also maximum usable motor hp output. If motors of comparable hp are used, be sure to keep within the service factor limitations outlined on the motor nameplate.

**SPECIFICATIONS - BELT DRIVE BLOWER**
**SINGLE SPEED - 6 TON**

General Data		Nominal Tonnage	6 Ton	6 Ton	
		Model No.	KCB072H4B	KCB074S4B	
		Efficiency Type	High	Standard	
		Blower Type	Single Speed Belt Drive	Single Speed Belt Drive	
<b>Cooling Performance</b>	Gross Cooling Capacity - Btuh		73,500	71,000	
	<sup>1</sup> Net Cooling Capacity - Btuh		72,000	68,000	
	AHRI Rated Air Flow - cfm		1920	2150	
	<sup>2</sup> Sound Rating Number (SRN) (dBA)		79	79	
	Total Unit Power - kW		6.0	6.1	
	<sup>1</sup> IEER		13.5	12.9	
	<sup>1</sup> EER (Btuh/Watt)		12.0	11.2	
<b>Refrigerant Charge</b>	Refrigerant Type		R-410A	R-410A	
	Eco-Last™ Coil System		7 lbs. 8 oz.	7 lbs. 2 oz.	
	Conventional Fin/Tube Coil		- - -	14 lbs. 8 oz.	
	Conventional Fin/Tube With Dehumidification Option		- - -	14 lbs. 11 oz.	
<b>Electric Heat Available - See page 55</b>			7.5, 15, 22.5, 30 kW	7.5, 15, 22.5, 30 kW	
<b>Compressor Type (one per unit)</b>			Scroll	Two-Stage Scroll	
<b>Outdoor Coil Eco-Last™ (Fin/Tube)</b>	Net face area - sq. ft.		17.8	17.8 (19.3)	
	Number of rows		1	1 (2)	
	Fins / inch		23	23 (20)	
<b>Outdoor Coil Fan</b>	Motor - (No.) HP		(1) 1/3	(1) 1/3	
	Motor rpm		1075	1075	
	Total Motor Input - watts		410	375	
	Diameter - (No.) in. / No. of blades		(1) 24 - 3	(1) 24 - 3	
	Total air volume - cfm		4800	4700	
	<b>Indoor Coil</b>	Net face area - sq. ft.		9.72	9.72
Tube diameter - in.			3/8	3/8	
Number of rows			4	4	
Fins per inch			14	14	
Drain Connection (no.) and size - in.			(1) 1 in. NPT	(1) 1 in. NPT	
Expansion device type			Balanced Port Thermostatic Expansion Valve, removable power head		
<sup>3</sup> <b>Indoor Blower &amp; Drive Selection</b>	Nominal Motor Output		1 hp, 2 hp	1 hp, 2 hp	
	Maximum Usable Motor Output (US Only)		1.15 hp, 2.3 hp	1.15 hp, 2.3 hp	
	Motor - Drive Kit Number	AA01		522-784 rpm	A04
		AA02		632-875 rpm	A08
		AA03		798-1105 rpm	1193 - 1591 rpm
Wheel Nominal Diameter x Width - in.			(1) 15 x 9	(1) 10 x 10	
<b>Filters</b>	Type		Disposable	Disposable	
	Number and size - in.		(4) 20 x 20 x 2	(4) 20 x 20 x 2	
<b>Electrical Characteristics - 60 Hz</b>			208/230V, 460V or 575V - 60 hertz - 3 phase		

NOTE - Net capacity includes evaporator blower motor heat deduction. Gross capacity does not include evaporator blower motor heat deduction.

<sup>1</sup> AHRI Certified to AHRI Standard 340/360: 95°F outdoor air temperature and 80°F db/67°F wb entering evaporator air; minimum external duct static pressure.

<sup>2</sup> Sound Rating Number (SRN) rated in accordance with test conditions included in ARI Standard 270-95.

<sup>3</sup> Using total air volume and system static pressure requirements determine from blower performance tables rpm and motor hp required. Maximum usable hp of motors furnished are shown. In Canada, nominal motor hp is also maximum usable motor hp output. If motors of comparable hp are used, be sure to keep within the service factor limitations outlined on the motor nameplate.

**SPECIFICATIONS - BELT DRIVE BLOWER**

**TWO-SPEED - 6 TON**

General Data		Nominal Tonnage	6 Ton	6 Ton	
		Model No.	KCB074S4T	KCB074H4T	
		Efficiency Type	Standard	High	
		Blower Type	Two Speed Belt Drive	Two Speed Belt Drive	
<b>Cooling Performance</b>	Gross Cooling Capacity - Btuh		71,000	72,000	
	<sup>1</sup> Net Cooling Capacity - Btuh		68,000	69,000	
	AHRI Rated Air Flow - cfm		2100	2100	
	<sup>2</sup> Sound Rating Number (SRN) (dBA)		79	79	
	Total Unit Power - kW		6.1	5.7	
	<sup>1</sup> IEER		15.0	16.0	
	<sup>1</sup> EER (Btuh/Watt)		11.2	12.0	
<b>Refrigerant Charge</b>	Refrigerant Type		R-410A	R-410A	
	Eco-Last™ Coil System		7 lbs. 2 oz.	7 lbs. 2 oz.	
	Conventional Fin/Tube Coil		14 lbs. 8 oz.	---	
	Conventional Fin/Tube With Dehumidification Option		14 lbs. 11 oz.	---	
<b>Electric Heat Available - See page 55</b>			7.5, 15, 22.5, 30 kW	7.5, 15, 22.5, 30 kW	
<b>Compressor Type (one per unit)</b>			Two-Stage Scroll	Two-Stage Scroll	
<b>Outdoor Coil Eco-Last™ (Fin/Tube)</b>	Net face area - sq. ft.		17.8 (19.3)	17.8	
	Number of rows		1 (2)	1	
	Fins / inch		23 (20)	23	
<b>Outdoor Coil Fan</b>	Motor - (No.) HP		(1) 1/3	(1) 1/3	
	Motor rpm		1075	1075	
	Total Motor Input - watts		375	375	
	Diameter - (No.) in. / No. of blades		(1) 24 - 3	(1) 24 - 3	
	Total air volume - cfm		4700	4700	
<b>Indoor Coil</b>	Net face area - sq. ft.		9.72	9.72	
	Tube diameter - in.		3/8	3/8	
	Number of rows		4	4	
	Fins per inch		14	14	
	Drain Connection (no.) and size - in.		(1) 1 in. NPT	(1) 1 in. NPT	
	Expansion device type		Balanced Port Thermostatic Expansion Valve, removable power head		
<sup>3</sup> <b>Indoor Blower &amp; Drive Selection</b>	Nominal Motor Output		1 hp, 2 hp	1 hp, 2 hp	
	Maximum Usable Motor Output (US Only)		1.15 hp, 2.3 hp	1.15 hp, 2.3 hp	
	Motor - Drive Kit Number	A04		968 - 1340 rpm	AA01 522-784 rpm
		A08		1193-1591 rpm	AA02 632-875 rpm
					AA03 798-1105 rpm
	Wheel Nominal Diameter x Width - in.		(1) 10 x 10	(1) 15 x 9	
<b>Filters</b>	Type		Disposable		
	Number and size - in.		(4) 20 x 20 x 2	(4) 20 x 20 x 2	
<b>Electrical Characteristics - 60 Hz</b>			208/230V, 460V or 575V - 60 hertz - 3 phase		

NOTE - Net capacity includes evaporator blower motor heat deduction. Gross capacity does not include evaporator blower motor heat deduction.

<sup>1</sup> AHRI Certified to AHRI Standard 340/360: 95°F outdoor air temperature and 80°F db/67°F wb entering evaporator air; minimum external duct static pressure.

<sup>2</sup> Sound Rating Number (SRN) rated in accordance with test conditions included in ARI Standard 270-95.

<sup>3</sup> Using total air volume and system static pressure requirements determine from blower performance tables rpm and motor hp required. Maximum usable hp of motors furnished are shown. In Canada, nominal motor hp is also maximum usable motor hp output. If motors of comparable hp are used, be sure to keep within the service factor limitations outlined on the motor nameplate.

SPECIFICATIONS - BELT DRIVE BLOWER		SINGLE AND TWO-SPEED - 7.5 TON		
General Data	Nominal Tonnage	7.5 Ton	7.5 Ton	
	Model No.	KCB090S4B	KCB090S4T	
	Efficiency Type	Standard	Standard	
	Blower Type	Single Speed Belt Drive	Two Speed Belt Drive	
Cooling Performance	Gross Cooling Capacity - Btuh	92,000	92,000	
	<sup>1</sup> Net Cooling Capacity - Btuh	88,000	88,000	
	AHRI Rated Air Flow - cfm	2250	2250	
	<sup>2</sup> Sound Rating Number (SRN) (dBA)	79	79	
	Total Unit Power - kW	8.0	8.0	
	<sup>1</sup> IEER	12.9	14.0	
	<sup>1</sup> EER (Btuh/Watt)	11.2	11.2	
Refrigerant Charge	Refrigerant Type	R-410A	R-410A	
	Eco-Last™ Coil System	9 lbs. 4 oz.	9 lbs. 4 oz.	
	Conventional Fin/Tube Coil	17 lbs. 14 oz.	17 lbs. 14 oz.	
	Conventional Fin/Tube With Dehumidification Option	19 lbs. 14 oz.	19 lbs. 14 oz.	
Electric Heat Available - See page 55		7.5, 15, 22.5, 30 kW	7.5, 15, 22.5, 30 kW	
Compressor Type (one per unit)		Two-Stage Scroll	Two-Stage Scroll	
Outdoor Coil Eco-Last™ (Fin/Tube)	Net face area - sq. ft.	24.2 (27.7)	24.2 (27.7)	
	Number of rows	1 (2)	1 (2)	
	Fins / inch	23 (20)	23 (20)	
Outdoor Coil Fan	Motor - (No.) HP	(1) 1/2	(1) 1/2	
	Motor rpm	1075	1075	
	Total Motor Input - watts	520	520	
	Diameter - (No.) in. / No. of blades	(1) 24 - 4	(1) 24 - 4	
	Total air volume - cfm	5300	5300	
Indoor Coil	Net face area - sq. ft.	9.72	9.72	
	Tube diameter - in.	3/8	3/8	
	Number of rows	4	4	
	Fins per inch	14	14	
	Drain Connection (no.) and size - in.	(1) 1 in. NPT	(1) 1 in. NPT	
	Expansion device type	Balanced Port Thermostatic Expansion Valve, removable power head		
<sup>3</sup> Indoor Blower & Drive Selection	Nominal Motor Output	1 hp, 2 hp, 3 hp	2 hp	
	Maximum Usable Motor Output (US Only)	1.15 hp 2.3 hp, 3.45 hp	2.3 hp	
	Motor - Drive Kit Number	AA01	522-784 rpm	AA01
		AA02	632-875 rpm	AA02
		AA03	798-1105 rpm	AA03
		<sup>4</sup> AA04	921-1228 rpm	798-1105 rpm
Wheel Nominal Diameter x Width - in.	15 x 9	15 x 9		
Filters	Type	Disposable		
	Number and size - in.	(4) 20 x 20 x 2	(4) 20 x 20 x 2	
Electrical Characteristics - 60 Hz		208/230V, 460V or 575V - 60 hertz - 3 phase		

NOTE - Net capacity includes evaporator blower motor heat deduction. Gross capacity does not include evaporator blower motor heat deduction.

<sup>1</sup> AHRI Certified to AHRI Standard 340/360: 95°F outdoor air temperature and 80°F db/67°F wb entering evaporator air; minimum external duct static pressure.

<sup>2</sup> Sound Rating Number (SRN) rated in accordance with test conditions included in ARI Standard 270-95.

<sup>3</sup> Using total air volume and system static pressure requirements determine from blower performance tables rpm and motor hp required. Maximum usable hp of motors furnished are shown. In Canada, nominal motor hp is also maximum usable motor hp output. If motors of comparable hp are used, be sure to keep within the service factor limitations outlined on the motor nameplate.

<sup>4</sup> 3 hp blower motor only.



# RATINGS

NOTE – For Temperatures and Capacities not shown in tables, see bulletin – Cooling Unit Rating Table Correction Factor Data in Miscellaneous Engineering Data section.

## 2 TON - KCB024S4

Entering Wet Bulb Temperature	Total Air Volume	Outdoor Air Temperature Entering Outdoor Coil																			
		85°F					95°F					105°F					115°F				
		Total Cool Cap.	Comp. Motor Input	Sensible To Total Ratio (S/T)			Total Cool Cap.	Comp. Motor Input	Sensible To Total Ratio (S/T)			Total Cool Cap.	Comp. Motor Input	Sensible To Total Ratio (S/T)			Total Cool Cap.	Comp. Motor Input	Sensible To Total Ratio (S/T)		
				Dry Bulb					Dry Bulb					Dry Bulb					Dry Bulb		
cfm	kBtuh	kW	75°F	80°F	85°F	kBtuh	kW	75°F	80°F	85°F	kBtuh	kW	75°F	80°F	85°F	kBtuh	kW	75°F	80°F	85°F	
63°F	640	23.2	1.31	0.69	0.84	0.99	21.7	1.49	0.7	0.86	1	20.1	1.72	0.71	0.89	1	18.4	1.97	0.73	0.92	1
	800	24.6	1.3	0.75	0.93	1	23.1	1.48	0.76	0.95	1	21.4	1.7	0.78	0.98	1	19.7	1.95	0.8	1	1
	960	25.8	1.29	0.8	1	1	24.3	1.47	0.82	1	1	22.7	1.69	0.85	1	1	21	1.94	0.88	1	1
67°F	640	24.5	1.3	0.54	0.67	0.81	23	1.48	0.54	0.68	0.82	21.4	1.71	0.54	0.69	0.85	19.7	1.96	0.54	0.71	0.88
	800	26.1	1.28	0.58	0.72	0.89	24.5	1.47	0.58	0.74	0.91	22.7	1.69	0.58	0.75	0.94	20.8	1.94	0.59	0.78	0.98
	960	27.2	1.27	0.61	0.78	0.96	25.5	1.45	0.61	0.8	0.99	23.7	1.68	0.62	0.82	1	21.6	1.93	0.63	0.86	1
71°F	640	25.7	1.29	0.41	0.53	0.65	24.2	1.47	0.4	0.53	0.66	22.6	1.7	0.39	0.53	0.67	20.8	1.95	0.38	0.54	0.68
	800	27.4	1.27	0.42	0.57	0.7	25.8	1.45	0.42	0.57	0.72	24	1.68	0.41	0.58	0.73	22.1	1.93	0.39	0.58	0.76
	960	28.6	1.25	0.44	0.6	0.76	26.9	1.44	0.43	0.61	0.77	25	1.66	0.43	0.61	0.8	22.9	1.91	0.43	0.63	0.83

## 2.5 TON - KCB030S4

Entering Wet Bulb Temperature	Total Air Volume	Outdoor Air Temperature Entering Outdoor Coil																			
		85°F					95°F					105°F					115°F				
		Total Cool Cap.	Comp. Motor Input	Sensible To Total Ratio (S/T)			Total Cool Cap.	Comp. Motor Input	Sensible To Total Ratio (S/T)			Total Cool Cap.	Comp. Motor Input	Sensible To Total Ratio (S/T)			Total Cool Cap.	Comp. Motor Input	Sensible To Total Ratio (S/T)		
				Dry Bulb					Dry Bulb					Dry Bulb					Dry Bulb		
cfm	kBtuh	kW	75°F	80°F	85°F	kBtuh	kW	75°F	80°F	85°F	kBtuh	kW	75°F	80°F	85°F	kBtuh	kW	75°F	80°F	85°F	
63°F	800	29.2	1.66	0.7	0.85	1	28.1	1.9	0.71	0.87	1	26.3	2.21	0.73	0.9	1	24.6	2.69	0.74	0.93	1
	1000	30.7	1.66	0.76	0.95	1	29.5	1.9	0.77	0.97	1	27.7	2.21	0.79	1	1	26.1	2.69	0.81	1	1
	1200	32	1.66	0.82	1	1	30.9	1.91	0.83	1	1	29.2	2.22	0.86	1	1	27.5	2.69	0.9	1	1
67°F	800	30.9	1.66	0.55	0.68	0.82	29.7	1.91	0.55	0.69	0.83	27.9	2.22	0.56	0.7	0.86	26.2	2.69	0.56	0.72	0.89
	1000	32.3	1.67	0.59	0.74	0.92	31.1	1.91	0.59	0.75	0.93	29.2	2.22	0.6	0.77	0.96	27.3	2.68	0.61	0.79	0.99
	1200	33.3	1.67	0.6	0.8	1	32	1.92	0.62	0.81	1	30.1	2.22	0.63	0.84	1	28.2	2.7	0.65	0.87	1
71°F	800	32.5	1.67	0.41	0.54	0.66	31.3	1.91	0.41	0.54	0.67	29.5	2.22	0.41	0.55	0.68	27.7	2.69	0.41	0.56	0.7
	1000	33.9	1.67	0.44	0.58	0.73	32.6	1.92	0.43	0.58	0.73	30.7	2.23	0.43	0.59	0.75	28.8	2.69	0.43	0.59	0.77
	1200	34.8	1.68	0.44	0.61	0.78	33.5	1.92	0.44	0.6	0.8	31.5	2.23	0.44	0.63	0.83	29.7	2.69	0.44	0.64	0.85

## 3 TON - KCB036S4

Entering Wet Bulb Temperature	Total Air Volume	Outdoor Air Temperature Entering Outdoor Coil																			
		85°F					95°F					105°F					115°F				
		Total Cool Cap.	Comp. Motor Input	Sensible To Total Ratio (S/T)			Total Cool Cap.	Comp. Motor Input	Sensible To Total Ratio (S/T)			Total Cool Cap.	Comp. Motor Input	Sensible To Total Ratio (S/T)			Total Cool Cap.	Comp. Motor Input	Sensible To Total Ratio (S/T)		
				Dry Bulb					Dry Bulb					Dry Bulb					Dry Bulb		
cfm	kBtuh	kW	75°F	80°F	85°F	kBtuh	kW	75°F	80°F	85°F	kBtuh	kW	75°F	80°F	85°F	kBtuh	kW	75°F	80°F	85°F	
63°F	960	36.5	2.01	0.69	0.85	1	34.3	2.29	0.7	0.87	1	32	2.63	0.71	0.89	1	29.5	3.05	0.72	0.92	1
	1200	38.6	2.02	0.75	0.94	1	36.3	2.3	0.77	0.97	1	33.9	2.63	0.78	1	1	31.5	3.05	0.8	1	1
	1440	40.4	2.03	0.82	1	1	38.2	2.3	0.83	1	1	36	2.63	0.86	1	1	33.6	3.04	0.89	1	1
67°F	960	39	2.02	0.54	0.67	0.81	36.8	2.3	0.54	0.68	0.83	34.4	2.63	0.54	0.69	0.85	31.8	3.04	0.54	0.7	0.88
	1200	41.1	2.03	0.57	0.73	0.9	38.8	2.31	0.58	0.74	0.93	36.3	2.63	0.58	0.76	0.96	33.6	3.04	0.59	0.78	0.99
	1440	42.7	2.04	0.61	0.79	0.99	40.2	2.31	0.62	0.81	1	37.5	2.64	0.62	0.83	1	34.9	3.05	0.63	0.86	1
71°F	960	41.4	2.03	0.4	0.53	0.65	39.1	2.31	0.4	0.53	0.65	36.7	2.63	0.38	0.53	0.67	34.1	3.04	0.38	0.53	0.68
	1200	43.7	2.05	0.42	0.56	0.71	41.3	2.32	0.41	0.57	0.72	38.7	2.64	0.41	0.57	0.74	36.1	3.04	0.4	0.58	0.75
	1440	45.3	2.06	0.43	0.6	0.77	42.8	2.33	0.43	0.61	0.79	40.1	2.65	0.43	0.61	0.81	37.3	3.04	0.42	0.63	0.83

# RATINGS

NOTE – For Temperatures and Capacities not shown in tables, see bulletin – Cooling Unit Rating Table Correction Factor Data in Miscellaneous Engineering Data section.

## 4 TON - KCB048S4

Entering Wet Bulb Temperature	Total Air Volume	Outdoor Air Temperature Entering Outdoor Coil																			
		85°F					95°F					105°F					115°F				
		Total Cool Cap.	Comp. Motor Input	Sensible To Total Ratio (S/T)			Total Cool Cap.	Comp. Motor Input	Sensible To Total Ratio (S/T)			Total Cool Cap.	Comp. Motor Input	Sensible To Total Ratio (S/T)			Total Cool Cap.	Comp. Motor Input	Sensible To Total Ratio (S/T)		
				Dry Bulb					Dry Bulb					Dry Bulb					Dry Bulb		
cfm	kBtuh	kW	75°F	80°F	85°F	kBtuh	kW	75°F	80°F	85°F	kBtuh	kW	75°F	80°F	85°F	kBtuh	kW	75°F	80°F	85°F	
63°F	1280	47.6	2.86	0.68	0.84	1	44.1	3.23	0.69	0.87	1	40.7	3.66	0.7	0.9	1	37.1	4.16	0.72	0.95	1
	1600	50.1	2.88	0.74	0.95	1	46.6	3.25	0.76	0.98	1	43.1	3.68	0.78	1	1	39.7	4.19	0.81	1	1
	1920	52.5	2.89	0.81	1	1	49.1	3.27	0.83	1	1	45.7	3.7	0.87	1	1	42.2	4.21	0.91	1	1
67°F	1280	50.9	2.88	0.53	0.66	0.8	47.3	3.26	0.53	0.67	0.83	43.8	3.69	0.53	0.68	0.86	40.1	4.19	0.53	0.7	0.9
	1600	53.6	2.89	0.56	0.72	0.91	49.7	3.27	0.57	0.73	0.94	46	3.71	0.57	0.76	0.98	42	4.21	0.58	0.79	1
	1920	55.4	2.9	0.6	0.78	1	51.4	3.29	0.6	0.81	1	47.5	3.72	0.61	0.84	1	43.3	4.22	0.63	0.88	1
71°F	1280	54.1	2.9	0.39	0.52	0.64	50.4	3.28	0.38	0.52	0.65	46.8	3.71	0.37	0.52	0.66	42.8	4.21	0.37	0.52	0.68
	1600	56.8	2.91	0.41	0.55	0.7	52.9	3.3	0.4	0.56	0.71	49.1	3.73	0.4	0.57	0.73	45	4.23	0.39	0.58	0.76
	1920	58.9	2.92	0.42	0.59	0.76	54.8	3.31	0.42	0.6	0.79	50.8	3.74	0.42	0.61	0.82	46.5	4.25	0.41	0.62	0.86

## 5 TON - KCB060S4

Entering Wet Bulb Temperature	Total Air Volume	Outdoor Air Temperature Entering Outdoor Coil																			
		85°F					95°F					105°F					115°F				
		Total Cool Cap.	Comp. Motor Input	Sensible To Total Ratio (S/T)			Total Cool Cap.	Comp. Motor Input	Sensible To Total Ratio (S/T)			Total Cool Cap.	Comp. Motor Input	Sensible To Total Ratio (S/T)			Total Cool Cap.	Comp. Motor Input	Sensible To Total Ratio (S/T)		
				Dry Bulb					Dry Bulb					Dry Bulb					Dry Bulb		
cfm	kBtuh	kW	75°F	80°F	85°F	kBtuh	kW	75°F	80°F	85°F	kBtuh	kW	75°F	80°F	85°F	kBtuh	kW	75°F	80°F	85°F	
63°F	1600	60.1	3.41	0.68	0.84	1	56.8	3.86	0.7	0.86	1	53.1	4.39	0.71	0.89	1	48.9	5	0.73	0.93	1
	2000	63.5	3.44	0.75	0.95	1	59.9	3.88	0.76	0.97	1	55.9	4.41	0.78	1	1	51.9	5.02	0.81	1	1
	2400	66.4	3.45	0.8	1	1	63.1	3.91	0.83	1	1	59.5	4.44	0.86	1	1	55.3	5.07	0.9	1	1
67°F	1600	64.3	3.44	0.53	0.66	0.81	60.8	3.89	0.54	0.67	0.82	56.9	4.42	0.54	0.69	0.85	52.5	5.04	0.55	0.7	0.89
	2000	67.8	3.46	0.58	0.72	0.9	64	3.91	0.57	0.74	0.93	59.7	4.44	0.58	0.75	0.96	55.1	5.07	0.59	0.78	1
	2400	70.3	3.47	0.6	0.78	0.99	66.3	3.92	0.61	0.81	1	61.7	4.46	0.62	0.83	1	56.8	5.08	0.63	0.88	1
71°F	1600	68.8	3.46	0.4	0.52	0.64	65.2	3.92	0.4	0.53	0.65	61.1	4.45	0.39	0.53	0.66	56.3	5.08	0.38	0.54	0.68
	2000	72.5	3.48	0.41	0.57	0.7	68.4	3.94	0.41	0.56	0.72	63.8	4.47	0.41	0.57	0.73	58.7	5.1	0.41	0.58	0.75
	2400	74.7	3.49	0.42	0.59	0.76	70.5	3.95	0.43	0.6	0.78	66	4.49	0.43	0.61	0.81	60.7	5.12	0.42	0.63	0.85

## 6 TON - KCB072H4

Entering Wet Bulb Temperature	Total Air Volume	Outdoor Air Temperature Entering Outdoor Coil																			
		85°F					95°F					105°F					115°F				
		Total Cool Cap.	Comp. Motor Input	Sensible To Total Ratio (S/T)			Total Cool Cap.	Comp. Motor Input	Sensible To Total Ratio (S/T)			Total Cool Cap.	Comp. Motor Input	Sensible To Total Ratio (S/T)			Total Cool Cap.	Comp. Motor Input	Sensible To Total Ratio (S/T)		
				Dry Bulb					Dry Bulb					Dry Bulb					Dry Bulb		
cfm	kBtuh	kW	75°F	80°F	85°F	kBtuh	kW	75°F	80°F	85°F	kBtuh	kW	75°F	80°F	85°F	kBtuh	kW	75°F	80°F	85°F	
63°F	1920	68.1	4.47	0.67	0.83	1	64.4	4.95	0.68	0.86	1	60.3	5.5	0.7	0.9	1	55.9	6.12	0.71	0.94	1
	2400	71.8	4.48	0.72	0.94	1	67.8	4.97	0.74	0.97	1	63.4	5.51	0.77	1	1	59.4	6.14	0.81	1	1
	2880	74.6	4.49	0.79	1	1	71	4.98	0.82	1	1	67.1	5.53	0.85	1	1	62.8	6.16	0.9	1	1
67°F	1920	72.4	4.48	0.52	0.64	0.78	68.7	4.97	0.53	0.65	0.81	64.7	5.52	0.54	0.67	0.84	60	6.15	0.55	0.69	0.89
	2400	76.3	4.5	0.56	0.7	0.89	72.2	4.99	0.56	0.71	0.92	67.3	5.53	0.57	0.74	0.96	62.7	6.17	0.59	0.77	1
	2880	78.8	4.51	0.58	0.76	0.98	74.6	5	0.59	0.79	1	69.7	5.55	0.6	0.82	1	64.7	6.18	0.62	0.87	1
71°F	1920	77.2	4.5	0.39	0.51	0.62	73.1	4.99	0.39	0.51	0.63	68.7	5.54	0.4	0.52	0.65	63.9	6.17	0.4	0.54	0.67
	2400	81	4.52	0.41	0.55	0.68	76.7	5.01	0.41	0.55	0.69	71.9	5.56	0.41	0.56	0.71	66.6	6.19	0.41	0.57	0.74
	2880	83.4	4.53	0.42	0.58	0.73	79	5.02	0.42	0.58	0.75	74.1	5.57	0.43	0.6	0.79	68.7	6.2	0.43	0.61	0.83

## RATINGS

NOTE – For Temperatures and Capacities not shown in tables, see bulletin – Cooling Unit Rating Table Correction Factor Data in Miscellaneous Engineering Data section.

### 6 TON - STANDARD EFFICIENCY KCB074S4B (1ST STAGE)

Entering Wet Bulb Temperature	Total Air Volume	Outdoor Air Temperature Entering Outdoor Coil																			
		65°F					75°F					85°F					95°F				
		Total Cool Cap.	Comp. Motor Input	Sensible To Total Ratio (S/T)			Total Cool Cap.	Comp. Motor Input	Sensible To Total Ratio (S/T)			Total Cool Cap.	Comp. Motor Input	Sensible To Total Ratio (S/T)			Total Cool Cap.	Comp. Motor Input	Sensible To Total Ratio (S/T)		
				Dry Bulb					Dry Bulb					Dry Bulb					Dry Bulb		
		cfm	kBtuh	kW	75°F	80°F	85°F	kBtuh	kW	75°F	80°F	85°F	kBtuh	kW	75°F	80°F	85°F	kBtuh	kW	75°F	80°F
63°F	1920	61.9	2.05	0.79	0.94	1	58.8	2.43	0.8	0.96	1	55.5	2.85	0.81	0.98	1	52.1	3.3	0.83	1	1
	2400	65.2	2.03	0.85	1	1	62.5	2.42	0.87	1	1	59.5	2.84	0.89	1	1	56	3.29	0.92	1	1
	2880	68.9	2.02	0.91	1	1	65.9	2.41	0.94	1	1	62.7	2.83	0.96	1	1	59.1	3.29	0.99	1	1
67°F	1920	66	2.03	0.61	0.76	0.91	62.8	2.42	0.62	0.77	0.93	59.3	2.84	0.62	0.78	0.95	55.6	3.3	0.63	0.81	0.98
	2400	69	2.02	0.65	0.82	0.99	65.6	2.41	0.66	0.84	1	61.9	2.83	0.66	0.86	1	58	3.29	0.68	0.89	1
	2880	71.2	2.01	0.68	0.89	1	67.7	2.4	0.7	0.91	1	63.9	2.82	0.71	0.94	1	60	3.29	0.73	0.97	1
71°F	1920	70.3	2.01	0.45	0.6	0.74	67	2.4	0.45	0.61	0.75	63.4	2.83	0.45	0.61	0.76	59.5	3.29	0.45	0.62	0.78
	2400	73.4	2	0.44	0.64	0.8	69.8	2.39	0.48	0.64	0.81	66.2	2.82	0.47	0.66	0.83	62	3.29	0.47	0.67	0.86
	2880	75.8	1.99	0.48	0.68	0.87	72.1	2.39	0.49	0.69	0.88	68.1	2.82	0.49	0.71	0.91	63.9	3.28	0.5	0.73	0.94

### 6 TON - STANDARD EFFICIENCY KCB074S4B (2ND STAGE)

Entering Wet Bulb Temperature	Total Air Volume	Outdoor Air Temperature Entering Outdoor Coil																			
		85°F					95°F					105°F					115°F				
		Total Cool Cap.	Comp. Motor Input	Sensible To Total Ratio (S/T)			Total Cool Cap.	Comp. Motor Input	Sensible To Total Ratio (S/T)			Total Cool Cap.	Comp. Motor Input	Sensible To Total Ratio (S/T)			Total Cool Cap.	Comp. Motor Input	Sensible To Total Ratio (S/T)		
				Dry Bulb					Dry Bulb					Dry Bulb					Dry Bulb		
		cfm	kBtuh	kW	75°F	80°F	85°F	kBtuh	kW	75°F	80°F	85°F	kBtuh	kW	75°F	80°F	85°F	kBtuh	kW	75°F	80°F
63°F	1920	68.6	4.06	0.73	0.88	1	64.9	4.58	0.75	0.9	1	60.9	5.17	0.77	0.93	1	56.7	5.85	0.79	0.96	1
	2400	72.2	4.09	0.79	0.96	1	68.1	4.61	0.81	0.99	1	63.9	5.2	0.83	1	1	60	5.88	0.86	1	1
	2880	75.2	4.12	0.85	1	1	71.6	4.64	0.87	1	1	67.6	5.24	0.9	1	1	63.4	5.92	0.94	1	1
67°F	1920	73	4.1	0.57	0.71	0.85	69	4.62	0.58	0.73	0.87	64.9	5.21	0.59	0.75	0.89	60.4	5.88	0.6	0.77	0.93
	2400	76.7	4.13	0.62	0.77	0.93	72.4	4.65	0.62	0.79	0.95	67.9	5.24	0.63	0.81	0.98	63	5.91	0.64	0.84	1
	2880	79.1	4.16	0.64	0.83	0.99	74.8	4.68	0.66	0.85	1	69.9	5.26	0.67	0.87	1	65	5.93	0.69	0.91	1
71°F	1920	77.6	4.14	0.44	0.56	0.69	73.5	4.66	0.43	0.57	0.7	69.1	5.26	0.44	0.58	0.72	64.2	5.93	0.43	0.59	0.74
	2400	81.1	4.18	0.45	0.6	0.75	76.8	4.7	0.45	0.61	0.77	72	5.29	0.45	0.62	0.79	67.1	5.96	0.44	0.64	0.81
	2880	83.7	4.21	0.47	0.64	0.8	79.3	4.73	0.46	0.65	0.83	74.2	5.31	0.47	0.66	0.85	69.2	5.98	0.48	0.68	0.89

# RATINGS

NOTE – For Temperatures and Capacities not shown in tables, see bulletin – Cooling Unit Rating Table Correction Factor Data in Miscellaneous Engineering Data section.

## 6 TON - STANDARD EFFICIENCY KCB074S4T (1ST STAGE)

Entering Wet Bulb Temperature	Total Air Volume	Outdoor Air Temperature Entering Outdoor Coil																			
		65°F					75°F					85°F					95°F				
		Total Cool Cap.	Comp. Motor Input	Sensible To Total Ratio (S/T)			Total Cool Cap.	Comp. Motor Input	Sensible To Total Ratio (S/T)			Total Cool Cap.	Comp. Motor Input	Sensible To Total Ratio (S/T)			Total Cool Cap.	Comp. Motor Input	Sensible To Total Ratio (S/T)		
				Dry Bulb					Dry Bulb					Dry Bulb					Dry Bulb		
cfm	kBtuh	kW	75°F	80°F	85°F	kBtuh	kW	75°F	80°F	85°F	kBtuh	kW	75°F	80°F	85°F	kBtuh	kW	75°F	80°F	85°F	
63°F	1200	53.3	2.3	0.68	0.81	0.92	51	2.62	0.69	0.82	0.94	48.3	2.99	0.7	0.83	0.96	45.6	3.41	0.71	0.85	0.98
	1600	57.8	2.29	0.74	0.88	1	55.2	2.61	0.75	0.9	1	52.5	2.98	0.77	0.92	1	49.3	3.4	0.78	0.95	1
	2000	61.2	2.28	0.8	0.96	1	58.2	2.6	0.81	0.98	1	55.3	2.98	0.83	1	1	52.5	3.4	0.84	1	1
67°F	1200	57.2	2.29	0.55	0.66	0.77	54.7	2.62	0.55	0.67	0.78	51.9	2.98	0.55	0.67	0.79	48.9	3.4	0.55	0.68	0.81
	1600	61.9	2.28	0.58	0.72	0.85	59.2	2.6	0.59	0.73	0.86	56.3	2.97	0.59	0.74	0.88	53	3.4	0.6	0.76	0.91
	2000	65.4	2.27	0.62	0.78	0.93	62.3	2.59	0.62	0.78	0.94	59.1	2.96	0.63	0.8	0.97	55.6	3.39	0.64	0.82	0.99
71°F	1200	61.2	2.28	0.42	0.53	0.63	58.6	2.61	0.42	0.53	0.64	55.8	2.97	0.42	0.53	0.64	52.6	3.4	0.41	0.53	0.65
	1600	66.3	2.26	0.44	0.57	0.69	63.3	2.59	0.44	0.57	0.7	60.2	2.96	0.44	0.58	0.71	56.7	3.39	0.44	0.59	0.73
	2000	69.6	2.25	0.46	0.61	0.75	66.5	2.58	0.46	0.61	0.76	63.1	2.95	0.45	0.61	0.77	59.6	3.38	0.46	0.63	0.8

## 6 TON - STANDARD EFFICIENCY KCB074S4T (2ND STAGE)

Entering Wet Bulb Temperature	Total Air Volume	Outdoor Air Temperature Entering Outdoor Coil																			
		85°F					95°F					105°F					115°F				
		Total Cool Cap.	Comp. Motor Input	Sensible To Total Ratio (S/T)			Total Cool Cap.	Comp. Motor Input	Sensible To Total Ratio (S/T)			Total Cool Cap.	Comp. Motor Input	Sensible To Total Ratio (S/T)			Total Cool Cap.	Comp. Motor Input	Sensible To Total Ratio (S/T)		
				Dry Bulb					Dry Bulb					Dry Bulb					Dry Bulb		
cfm	kBtuh	kW	75°F	80°F	85°F	kBtuh	kW	75°F	80°F	85°F	kBtuh	kW	75°F	80°F	85°F	kBtuh	kW	75°F	80°F	85°F	
63°F	1920	68.6	4.18	0.73	0.88	1	64.9	4.71	0.75	0.9	1	60.9	5.32	0.77	0.93	1	56.8	6.02	0.79	0.96	1
	2400	72.2	4.21	0.79	0.96	1	68.1	4.74	0.81	0.99	1	63.8	5.35	0.83	1	1	60	6.05	0.86	1	1
	2880	75.2	4.24	0.85	1	1	71.6	4.78	0.87	1	1	67.6	5.39	0.9	1	1	63.4	6.09	0.94	1	1
67°F	1920	73	4.22	0.58	0.71	0.85	69	4.75	0.58	0.73	0.87	64.8	5.36	0.59	0.74	0.89	60.4	6.05	0.6	0.77	0.93
	2400	76.7	4.25	0.62	0.77	0.93	72.4	4.79	0.62	0.79	0.95	67.9	5.4	0.63	0.81	0.98	63	6.08	0.65	0.84	1
	2880	79.1	4.28	0.64	0.83	0.99	74.8	4.82	0.66	0.85	1	69.9	5.42	0.67	0.88	1	65	6.1	0.69	0.91	1
71°F	1920	77.6	4.26	0.44	0.56	0.69	73.5	4.8	0.43	0.57	0.7	69.1	5.41	0.43	0.58	0.72	64.2	6.1	0.43	0.59	0.74
	2400	81.1	4.3	0.45	0.6	0.75	76.8	4.84	0.45	0.61	0.77	72	5.45	0.45	0.62	0.79	67.1	6.13	0.45	0.64	0.81
	2880	83.7	4.33	0.47	0.64	0.8	79.2	4.87	0.46	0.65	0.83	74.2	5.47	0.48	0.66	0.85	69.2	6.15	0.48	0.68	0.89

## 6 TON - HIGH EFFICIENCY KCB074H4T (1ST STAGE)

Entering Wet Bulb Temperature	Total Air Volume	Outdoor Air Temperature Entering Outdoor Coil																			
		65°F					75°F					85°F					95°F				
		Total Cool Cap.	Comp. Motor Input	Sensible To Total Ratio (S/T)			Total Cool Cap.	Comp. Motor Input	Sensible To Total Ratio (S/T)			Total Cool Cap.	Comp. Motor Input	Sensible To Total Ratio (S/T)			Total Cool Cap.	Comp. Motor Input	Sensible To Total Ratio (S/T)		
				Dry Bulb					Dry Bulb					Dry Bulb					Dry Bulb		
cfm	kBtuh	kW	75°F	80°F	85°F	kBtuh	kW	75°F	80°F	85°F	kBtuh	kW	75°F	80°F	85°F	kBtuh	kW	75°F	80°F	85°F	
63°F	1200	53.3	2.27	0.68	0.81	0.92	51	2.59	0.69	0.82	0.94	48.3	2.95	0.7	0.83	0.96	45.6	3.36	0.71	0.85	0.98
	1600	57.8	2.26	0.74	0.88	1	55.2	2.58	0.75	0.9	1	52.5	2.94	0.77	0.92	1	49.3	3.36	0.78	0.95	1
	2000	61.2	2.25	0.8	0.96	1	58.2	2.57	0.81	0.98	1	55.3	2.94	0.83	1	1	52.5	3.35	0.84	1	1
67°F	1200	57.2	2.26	0.55	0.66	0.77	54.7	2.58	0.55	0.67	0.78	51.9	2.94	0.55	0.67	0.79	48.9	3.36	0.55	0.68	0.81
	1600	61.9	2.25	0.58	0.72	0.85	59.2	2.57	0.59	0.73	0.86	56.3	2.93	0.59	0.74	0.88	53	3.35	0.6	0.76	0.91
	2000	65.4	2.24	0.62	0.78	0.93	62.3	2.56	0.62	0.78	0.94	59.2	2.93	0.63	0.8	0.97	55.6	3.34	0.64	0.82	0.99
71°F	1200	61.2	2.25	0.43	0.53	0.63	58.6	2.57	0.42	0.53	0.64	55.8	2.93	0.42	0.53	0.64	52.6	3.35	0.41	0.53	0.65
	1600	66.3	2.23	0.44	0.57	0.69	63.3	2.56	0.44	0.57	0.7	60.2	2.92	0.44	0.58	0.71	56.7	3.34	0.44	0.59	0.73
	2000	69.6	2.22	0.45	0.61	0.75	66.5	2.54	0.46	0.61	0.76	63.1	2.91	0.45	0.62	0.77	59.6	3.33	0.46	0.63	0.8

## 6 TON - HIGH EFFICIENCY KCB074H4T (2ND STAGE)

Entering Wet Bulb Temperature	Total Air Volume	Outdoor Air Temperature Entering Outdoor Coil																			
		85°F					95°F					105°F					115°F				
		Total Cool Cap.	Comp. Motor Input	Sensible To Total Ratio (S/T)			Total Cool Cap.	Comp. Motor Input	Sensible To Total Ratio (S/T)			Total Cool Cap.	Comp. Motor Input	Sensible To Total Ratio (S/T)			Total Cool Cap.	Comp. Motor Input	Sensible To Total Ratio (S/T)		
				Dry Bulb					Dry Bulb					Dry Bulb					Dry Bulb		
cfm	kBtuh	kW	75°F	80°F	85°F	kBtuh	kW	75°F	80°F	85°F	kBtuh	kW	75°F	80°F	85°F	kBtuh	kW	75°F	80°F	85°F	
63°F	1920	68.6	4.12	0.73	0.88	1	64.9	4.65	0.75	0.9	1	60.9	5.25	0.77	0.93	1	56.6	5.94	0.79	0.96	1
	2400	72.2	4.16	0.79	0.96	1	68.1	4.68	0.81	0.99	1	63.9	5.28	0.83	1	1	60	5.97	0.86	1	1
	2880	75.2	4.18	0.85	1	1	71.6	4.72	0.87	1	1	67.6	5.32	0.9	1	1	63.4	6.01	0.94	1	1
67°F	1920	73	4.16	0.57	0.71	0.85	69	4.69	0.59	0.73	0.87	64.8	5.29	0.59	0.74	0.89	60.4	5.97	0.6	0.77	0.93
	2400	76.7	4.2	0.62	0.77	0.93	72.4	4.73	0.62	0.79	0.95	67.9	5.32	0.63	0.81	0.98	63	6	0.64	0.84	1
	2880	79.1	4.22	0.64	0.83	0.99	74.8	4.75	0.66	0.85	1	69.9	5.34	0.67	0.88	1	65	6.02	0.69	0.91	1
71°F	1920	77.6	4.21	0.44	0.56	0.69	73.5	4.74	0.43	0.57	0.7	69.1	5.34	0.43	0.58	0.72	64.2	6.02	0.43	0.59	0.74
	2400	81.1	4.24	0.45	0.6	0.75	76.8	4.77	0.45	0.61	0.77	72	5.37	0.45	0.62	0.79	67.1	6.05	0.44	0.64	0.81
	2880	83.7	4.27	0.47	0.64	0.8	79.3	4.8	0.46	0.65	0.83	74.2	5.4	0.48	0.66	0.85	69.2	6.07	0.48	0.68	0.89

# RATINGS

NOTE – For Temperatures and Capacities not shown in tables, see bulletin – Cooling Unit Rating Table Correction Factor Data in Miscellaneous Engineering Data section.

## 7.5 TON - STANDARD EFFICIENCY KCB090S4B (1ST STAGE)

Entering Wet Bulb Temperature	Total Air Volume	Outdoor Air Temperature Entering Outdoor Coil																			
		65°F					75°F					85°F					95°F				
		Total Cool Cap.	Comp. Motor Input	Sensible To Total Ratio (S/T)			Total Cool Cap.	Comp. Motor Input	Sensible To Total Ratio (S/T)			Total Cool Cap.	Comp. Motor Input	Sensible To Total Ratio (S/T)			Total Cool Cap.	Comp. Motor Input	Sensible To Total Ratio (S/T)		
				Dry Bulb					Dry Bulb					Dry Bulb					Dry Bulb		
cfm	kBtuh	kW	75°F	80°F	85°F	kBtuh	kW	75°F	80°F	85°F	kBtuh	kW	75°F	80°F	85°F	kBtuh	kW	75°F	80°F	85°F	
63°F	2400	76.1	2.67	0.75	0.94	1	71.6	3.13	0.76	0.97	1	66.5	3.63	0.77	0.99	1	62	4.18	0.79	1	1
	3000	80.9	2.67	0.81	1	1	76.5	3.12	0.83	1	1	72	3.63	0.85	1	1	67.1	4.18	0.9	1	1
	3600	85.6	2.67	0.89	1	1	80.9	3.12	0.93	1	1	76	3.63	0.96	1	1	70.9	4.18	1	1	1
67°F	2400	81.8	2.67	0.58	0.73	0.88	76.7	3.12	0.58	0.74	0.91	71.6	3.63	0.58	0.75	0.95	66.3	4.18	0.59	0.77	0.98
	3000	85.6	2.67	0.6	0.79	0.99	80.3	3.12	0.62	0.81	1	74.9	3.63	0.63	0.83	1	69.3	4.17	0.64	0.85	1
	3600	88.5	2.67	0.66	0.86	1	83.1	3.12	0.66	0.89	1	77.3	3.62	0.68	0.93	1	71.7	4.18	0.69	0.97	1
71°F	2400	87.6	2.67	0.43	0.57	0.7	82.2	3.12	0.42	0.57	0.72	76.8	3.62	0.42	0.57	0.73	71.2	4.18	0.41	0.58	0.74
	3000	91.3	2.66	0.44	0.61	0.77	85.9	3.12	0.45	0.62	0.79	80.3	3.62	0.45	0.62	0.8	74.5	4.17	0.43	0.63	0.83
	3600	94.5	2.67	0.46	0.65	0.83	88.8	3.12	0.46	0.66	0.85	82.9	3.62	0.45	0.67	0.89	76.7	4.18	0.46	0.69	0.94

## 7.5 TON - STANDARD EFFICIENCY KCB090S4B (2ND STAGE)

Entering Wet Bulb Temperature	Total Air Volume	Outdoor Air Temperature Entering Outdoor Coil																			
		85°F					95°F					105°F					115°F				
		Total Cool Cap.	Comp. Motor Input	Sensible To Total Ratio (S/T)			Total Cool Cap.	Comp. Motor Input	Sensible To Total Ratio (S/T)			Total Cool Cap.	Comp. Motor Input	Sensible To Total Ratio (S/T)			Total Cool Cap.	Comp. Motor Input	Sensible To Total Ratio (S/T)		
				Dry Bulb					Dry Bulb					Dry Bulb					Dry Bulb		
cfm	kBtuh	kW	75°F	80°F	85°F	kBtuh	kW	75°F	80°F	85°F	kBtuh	kW	75°F	80°F	85°F	kBtuh	kW	75°F	80°F	85°F	
63°F	2400	91.7	6.09	0.71	0.86	0.99	85.8	6.72	0.72	0.87	1	79.7	7.4	0.73	0.89	1	73.2	8.15	0.74	0.92	1
	3000	96.9	6.2	0.76	0.93	1	90.7	6.84	0.78	0.96	1	84.4	7.52	0.8	0.98	1	77.5	8.27	0.82	1	1
	3600	101.1	6.3	0.82	1	1	94.9	6.93	0.84	1	1	88.7	7.63	0.86	1	1	82.3	8.4	0.89	1	1
67°F	2400	98.2	6.23	0.56	0.69	0.82	92.1	6.86	0.55	0.7	0.84	85.6	7.55	0.55	0.71	0.86	78.9	8.3	0.56	0.73	0.89
	3000	103.3	6.34	0.59	0.74	0.9	97	6.98	0.6	0.76	0.92	90.1	7.67	0.6	0.78	0.95	83	8.43	0.61	0.8	0.98
	3600	107.4	6.43	0.63	0.8	0.97	100.6	7.07	0.63	0.82	0.99	93.6	7.75	0.64	0.84	1	85.7	8.5	0.65	0.87	1
71°F	2400	105.2	6.38	0.42	0.55	0.67	98.8	7.02	0.41	0.55	0.68	92	7.71	0.4	0.55	0.69	84.9	8.47	0.4	0.55	0.7
	3000	110.5	6.5	0.44	0.58	0.72	103.9	7.14	0.43	0.59	0.73	96.6	7.84	0.42	0.59	0.76	89	8.59	0.42	0.6	0.78
	3600	114.4	6.59	0.45	0.62	0.78	107.3	7.23	0.45	0.63	0.8	99.8	7.92	0.45	0.63	0.82	91.7	8.67	0.44	0.65	0.85

## 7.5 TON - STANDARD EFFICIENCY KCB090S4T (1ST STAGE)

Entering Wet Bulb Temperature	Total Air Volume	Outdoor Air Temperature Entering Outdoor Coil																			
		65°F					75°F					85°F					95°F				
		Total Cool Cap.	Comp. Motor Input	Sensible To Total Ratio (S/T)			Total Cool Cap.	Comp. Motor Input	Sensible To Total Ratio (S/T)			Total Cool Cap.	Comp. Motor Input	Sensible To Total Ratio (S/T)			Total Cool Cap.	Comp. Motor Input	Sensible To Total Ratio (S/T)		
				Dry Bulb					Dry Bulb					Dry Bulb					Dry Bulb		
cfm	kBtuh	kW	75°F	80°F	85°F	kBtuh	kW	75°F	80°F	85°F	kBtuh	kW	75°F	80°F	85°F	kBtuh	kW	75°F	80°F	85°F	
63°F	1600	68	2.72	0.7	0.83	0.96	63.6	3.18	0.7	0.84	0.98	59.1	3.69	0.71	0.86	1	54.4	4.25	0.72	0.89	1
	2000	72.4	2.72	0.75	0.9	1	67.8	3.18	0.76	0.92	1	63.1	3.69	0.77	0.95	1	57.9	4.25	0.79	0.97	1
	2400	75.8	2.71	0.8	0.97	1	71	3.18	0.81	0.99	1	66.2	3.69	0.83	1	1	61.6	4.25	0.85	1	1
67°F	1600	73.2	2.71	0.55	0.67	0.8	68.6	3.17	0.55	0.68	0.81	63.8	3.69	0.54	0.68	0.82	59	4.25	0.55	0.7	0.84
	2000	77.8	2.71	0.58	0.73	0.86	73	3.18	0.59	0.74	0.88	68	3.69	0.59	0.75	0.91	62.7	4.25	0.59	0.77	0.94
	2400	81.5	2.71	0.62	0.78	0.93	76.2	3.18	0.62	0.79	0.96	70.9	3.69	0.62	0.81	0.98	65.3	4.25	0.63	0.83	1
71°F	1600	78.9	2.71	0.43	0.54	0.65	74	3.18	0.41	0.54	0.66	69.2	3.69	0.41	0.53	0.66	63.9	4.25	0.39	0.54	0.67
	2000	83.7	2.71	0.44	0.57	0.7	78.6	3.18	0.43	0.58	0.71	73.2	3.69	0.42	0.58	0.73	67.6	4.26	0.41	0.58	0.74
	2400	87.2	2.71	0.46	0.61	0.75	81.7	3.18	0.45	0.61	0.77	76.2	3.69	0.44	0.62	0.78	70.4	4.26	0.44	0.62	0.8

## 7.5 TON - STANDARD EFFICIENCY KCB090S4T (2ND STAGE)

Entering Wet Bulb Temperature	Total Air Volume	Outdoor Air Temperature Entering Outdoor Coil																			
		85°F					95°F					105°F					115°F				
		Total Cool Cap.	Comp. Motor Input	Sensible To Total Ratio (S/T)			Total Cool Cap.	Comp. Motor Input	Sensible To Total Ratio (S/T)			Total Cool Cap.	Comp. Motor Input	Sensible To Total Ratio (S/T)			Total Cool Cap.	Comp. Motor Input	Sensible To Total Ratio (S/T)		
				Dry Bulb					Dry Bulb					Dry Bulb					Dry Bulb		
cfm	kBtuh	kW	75°F	80°F	85°F	kBtuh	kW	75°F	80°F	85°F	kBtuh	kW	75°F	80°F	85°F	kBtuh	kW	75°F	80°F	85°F	
63°F	2400	91.7	6.09	0.71	0.86	0.99	85.8	6.72	0.72	0.87	1	79.7	7.4	0.73	0.89	1	73.2	8.15	0.74	0.92	1
	3000	96.9	6.2	0.76	0.93	1	90.7	6.84	0.78	0.96	1	84.4	7.52	0.8	0.98	1	77.5	8.27	0.82	1	1
	3600	101.1	6.3	0.82	1	1	94.9	6.93	0.84	1	1	88.7	7.63	0.86	1	1	82.3	8.4	0.89	1	1
67°F	2400	98.2	6.23	0.56	0.69	0.82	92.1	6.86	0.55	0.7	0.84	85.6	7.55	0.55	0.71	0.86	78.9	8.3	0.56	0.73	0.89
	3000	103.3	6.34	0.59	0.74	0.9	97	6.98	0.6	0.76	0.92	90.1	7.67	0.6	0.78	0.95	83	8.43	0.61	0.8	0.98
	3600	107.4	6.43	0.63	0.8	0.97	100.6	7.07	0.63	0.82	0.99	93.6	7.75	0.64	0.84	1	85.7	8.5	0.65	0.87	1
71°F	2400	105.2	6.38	0.42	0.55	0.67	98.8	7.02	0.41	0.55	0.68	92	7.71	0.4	0.55	0.69	84.9	8.47	0.4	0.55	0.7
	3000	110.5	6.5	0.44	0.58	0.72	103.9	7.14	0.43	0.59	0.73	96.6	7.84	0.42	0.59	0.76	89	8.59	0.42	0.6	0.78
	3600	114.4	6.59	0.45	0.62	0.78	107.3	7.23	0.45	0.63	0.8	99.8	7.92	0.45	0.63	0.82	91.7	8.67	0.44	0.65	0.85

# DEHUMIDIFICATION SYSTEM RATINGS

## 2 TON STANDARD EFFICIENCY KCB024S4 WITH DEHUMIDIFICATION OPERATING

Entering Wet Bulb Temperature	Total Air Volume	Outdoor Air Temperature Entering Outdoor Coil																			
		65°F					75°F					85°F					95°F				
		Total Cool Cap.	Comp. Motor Input	Sensible To Total Ratio (S/T)			Total Cool Cap.	Comp. Motor Input	Sensible To Total Ratio (S/T)			Total Cool Cap.	Comp. Motor Input	Sensible To Total Ratio (S/T)			Total Cool Cap.	Comp. Motor Input	Sensible To Total Ratio (S/T)		
				Dry Bulb					Dry Bulb					Dry Bulb					Dry Bulb		
cfm	kBtuh	kW	75°F	80°F	85°F	kBtuh	kW	75°F	80°F	85°F	kBtuh	kW	75°F	80°F	85°F	kBtuh	kW	75°F	80°F	85°F	
63°F	640	18.4	920	.61	.78	.94	15.2	1050	.55	.76	.95	11.8	1200	.46	.74	.97	8.4	1360	.31	.68	.89
	800	19.7	910	.67	.86	1.00	16.0	1040	.62	.85	1.00	12.2	1180	.53	.85	1.00	8.3	1350	.37	.84	.96
	960	21.0	900	.72	.86	.99	16.5	1030	.68	.95	1.00	12.4	1170	.61	.95	1.00	8.2	1340	.48	.99	1.00
67°F	640	20.5	920	.45	.61	.77	17.2	1050	.36	.56	.74	13.9	1200	.27	.49	.71	10.4	1360	.01	.36	.67
	800	21.8	910	.48	.66	.83	18.1	1040	.40	.63	.82	14.3	1180	.27	.56	.81	10.3	1350	.02	.45	.81
	960	22.7	900	.52	.72	.89	18.6	1030	.42	.70	.90	14.5	1170	.29	.63	.93	10.2	1340	.03	.54	.94
71°F	640	22.9	920	.28	.46	.60	19.2	1050	.21	.39	.56	15.8	1200	.06	.29	.50	12.3	1360	-.18	.13	.41
	800	24.0	910	.32	.50	.65	20.3	1040	.22	.43	.62	16.4	1180	.06	.33	.59	12.4	1350	-.22	.16	.50
	960	25.1	900	.34	.53	.71	21.0	1030	.23	.47	.69	16.7	1170	.06	.37	.66	12.3	1340	-.25	.19	.57

## 2.5 TON STANDARD EFFICIENCY KCB030S4 WITH DEHUMIDIFICATION OPERATING

Entering Wet Bulb Temperature	Total Air Volume	Outdoor Air Temperature Entering Outdoor Coil																			
		65°F					75°F					85°F					95°F				
		Total Cool Cap.	Comp. Motor Input	Sensible To Total Ratio (S/T)			Total Cool Cap.	Comp. Motor Input	Sensible To Total Ratio (S/T)			Total Cool Cap.	Comp. Motor Input	Sensible To Total Ratio (S/T)			Total Cool Cap.	Comp. Motor Input	Sensible To Total Ratio (S/T)		
				Dry Bulb					Dry Bulb					Dry Bulb					Dry Bulb		
cfm	kBtuh	kW	75°F	80°F	85°F	kBtuh	kW	75°F	80°F	85°F	kBtuh	kW	75°F	80°F	85°F	kBtuh	kW	75°F	80°F	85°F	
63°F	800	21.0	1170	.56	.73	.88	17.5	1330	.50	.69	.86	13.5	1510	.44	.69	.89	9.8	1710	.21	.59	.87
	1000	22.3	1170	.60	.80	.96	18.5	1330	.56	.77	.96	14.4	1510	.45	.71	.90	10.0	1700	.23	.61	.86
	1200	23.4	1170	.65	.86	.99	19.0	1330	.61	.86	.99	14.9	1500	.46	.73	1.00	10.1	1700	.20	.62	.98
67°F	800	23.3	1180	.41	.57	.71	19.8	1340	.34	.51	.68	16.0	1510	.21	.45	.64	12.1	1710	.03	.31	.59
	1000	24.8	1180	.42	.61	.78	20.8	1330	.35	.57	.76	16.8	1500	.24	.49	.74	12.1	1700	-.01	.36	.62
	1200	25.9	1180	.47	.66	.80	21.6	1330	.39	.61	.83	16.8	1500	.25	.56	.83	11.9	1690	-.03	.46	.65
71°F	800	26.1	1180	.30	.42	.56	22.7	1340	.21	.35	.51	18.8	1510	.05	.26	.45	14.7	1700	-.13	.13	.34
	1000	27.5	1180	.27	.45	.62	23.5	1340	.19	.39	.57	19.3	1510	.05	.29	.52	14.6	1700	-.20	.14	.41
	1200	28.4	1180	.28	.49	.66	24.1	1340	.19	.41	.62	19.5	1500	.04	.32	.58	14.5	1680	-.23	.18	.50

## 3 TON STANDARD EFFICIENCY KCB036S4 WITH DEHUMIDIFICATION OPERATING

Entering Wet Bulb Temperature	Total Air Volume	Outdoor Air Temperature Entering Outdoor Coil																			
		65°F					75°F					85°F					95°F				
		Total Cool Cap.	Comp. Motor Input	Sensible To Total Ratio (S/T)			Total Cool Cap.	Comp. Motor Input	Sensible To Total Ratio (S/T)			Total Cool Cap.	Comp. Motor Input	Sensible To Total Ratio (S/T)			Total Cool Cap.	Comp. Motor Input	Sensible To Total Ratio (S/T)		
				Dry Bulb					Dry Bulb					Dry Bulb					Dry Bulb		
cfm	kBtuh	kW	75°F	80°F	85°F	kBtuh	kW	75°F	80°F	85°F	kBtuh	kW	75°F	80°F	85°F	kBtuh	kW	75°F	80°F	85°F	
63°F	960	23.7	1530	.58	.76	.94	20.4	1720	.54	.75	.95	16.7	1940	.48	.74	.98	12.7	2190	.35	.71	1.00
	1200	24.8	1540	.64	.85	.99	21.0	1730	.61	.85	.91	16.9	1930	.56	.87	1.00	12.5	2180	.47	.88	1.00
	1440	25.6	1550	.70	.94	1.00	21.5	1730	.68	.96	.96	17.1	1930	.64	1.00	1.00	12.6	2170	.58	.97	1.00
67°F	960	26.4	1550	.41	.57	.73	23.0	1740	.36	.54	.71	19.4	1950	.27	.49	.70	15.6	2190	.13	.41	.68
	1200	27.7	1560	.44	.63	.81	23.9	1750	.39	.60	.82	19.8	1950	.30	.56	.74	15.4	2190	.16	.50	.83
	1440	28.5	1570	.47	.69	.91	24.4	1750	.42	.67	.91	19.9	1950	.33	.64	.95	15.1	2180	.18	.59	.98
71°F	960	29.0	1570	.27	.41	.56	25.7	1760	.20	.37	.53	22.0	1970	.11	.30	.49	18.2	2200	-.03	.20	.43
	1200	30.6	1590	.28	.44	.61	26.7	1770	.20	.40	.59	22.6	1970	.10	.34	.56	18.3	2200	-.05	.24	.51
	1440	31.5	1600	.29	.49	.67	27.3	1780	.21	.44	.66	22.9	1970	.10	.37	.63	18.2	2200	-.08	.27	.60

## 4 TON STANDARD EFFICIENCY KCB048S4 WITH DEHUMIDIFICATION OPERATING

Entering Wet Bulb Temperature	Total Air Volume	Outdoor Air Temperature Entering Outdoor Coil																			
		65°F					75°F					85°F					95°F				
		Total Cool Cap.	Comp. Motor Input	Sensible To Total Ratio (S/T)			Total Cool Cap.	Comp. Motor Input	Sensible To Total Ratio (S/T)			Total Cool Cap.	Comp. Motor Input	Sensible To Total Ratio (S/T)			Total Cool Cap.	Comp. Motor Input	Sensible To Total Ratio (S/T)		
				Dry Bulb					Dry Bulb					Dry Bulb					Dry Bulb		
cfm	kBtuh	kW	75°F	80°F	85°F	kBtuh	kW	75°F	80°F	85°F	kBtuh	kW	75°F	80°F	85°F	kBtuh	kW	75°F	80°F	85°F	
63°F	1280	35.7	2160	.58	.77	.93	29.5	2440	.54	.76	.98	23.3	2730	.46	.74	.98	17.3	3060	.32	.71	1.00
	1600	37.4	2160	.65	.85	1.00	30.7	2430	.62	.84	1.00	23.9	2730	.52	.85	1.00	17.3	3040	.42	.84	1.00
	1920	38.7	2160	.70	.91	1.00	31.5	2430	.65	.92	1.00	24.0	2720	.66	.96	.94	17.0	3030	.44	1.00	1.00
67°F	1280	39.4	2180	.41	.58	.73	33.0	2460	.34	.54	.73	26.8	2760	.22	.48	.71	20.7	3090	.02	.37	.68
	1600	41.1	2180	.45	.64	.82	34.2	2460	.37	.61	.82	27.3	2750	.29	.57	.81	20.7	3080	.02	.44	.82
	1920	42.1	2170	.42	.71	.89	34.6	2450	.40	.69	.90	27.6	2750	.25	.61	.93	20.3	3060	.01	.55	.96
71°F	1280	42.8	2200	.26	.43	.57	36.4	2480	.17	.36	.54	30.1	2790	.02	.27	.48	23.8	3120	-.19	.12	.41
	1600	44.6	2200	.28	.45	.63	37.5	2480	.18	.40	.60	30.6	2780	.07	.31	.57	23.7	3110	-.24	.14	.52
	1920	45.7	2190	.26	.49	.69	38.1	2480	.18	.43	.65	30.5	2770	.12	.37	.62	23.6	3100	-.32	.11	.58



# DEHUMIDIFICATION SYSTEM RATINGS

## 5 TON STANDARD EFFICIENCY KCB060S4 WITH DEHUMIDIFICATION OPERATING

Entering Wet Bulb Temperature	Total Air Volume	Outdoor Air Temperature Entering Outdoor Coil																							
		65°F						75°F						85°F						95°F					
		Total Cool Cap.	Comp. Motor Input	Sensible To Total Ratio (S/T) Dry Bulb			Total Cool Cap.	Comp. Motor Input	Sensible To Total Ratio (S/T) Dry Bulb			Total Cool Cap.	Comp. Motor Input	Sensible To Total Ratio (S/T) Dry Bulb			Total Cool Cap.	Comp. Motor Input	Sensible To Total Ratio (S/T) Dry Bulb						
				75°F	80°F	85°F			75°F	80°F	85°F			75°F	80°F	85°F			75°F	80°F	85°F				
cfm	kBtuh	kW	75°F	80°F	85°F	kBtuh	kW	75°F	80°F	85°F	kBtuh	kW	75°F	80°F	85°F	kBtuh	kW	75°F	80°F	85°F					
63°F	1600	42.3	2750	.50	.73	.93	35.3	3020	.45	.69	.95	27.9	3340	.33	.64	.97	19.7	3730	.12	.55	.99				
	2000	44.2	2770	.60	.83	1.00	35.9	3030	.52	.85	1.00	30.1	3360	.43	.57	1.00	18.9	3720	.22	.76	.99				
	2400	45.3	2780	.67	.95	.99	37.0	3040	.59	.93	.98	28.4	3340	.51	.93	.98	18.5	3720	.29	.91	1.00				
67°F	1600	47.7	2800	.34	.52	.70	40.4	3060	.25	.46	.66	33.2	3380	.11	.36	.62	25.1	3770	-.12	.22	.55				
	2000	49.5	2810	.40	.60	.79	41.8	3080	.28	.52	.78	33.5	3380	.16	.44	.77	24.3	3760	-.15	.31	.74				
	2400	50.8	2830	.41	.66	.90	42.3	3080	.30	.59	.89	32.9	3370	.15	.56	.88	23.0	3740	-.19	.43	.88				
71°F	1600	54.3	2850	.18	.28	.51	45.7	3110	.10	.28	.45	38.2	3430	-.05	.17	.39	29.9	3810	-.30	.01	.27				
	2000	55.3	2860	.16	.38	.56	46.6	3110	.09	.32	.51	38.3	3420	-.07	.21	.46	29.1	3800	-.38	.03	.37				
	2400	56.1	2870	.21	.42	.64	46.8	3110	.09	.35	.59	37.7	3420	-.10	.23	.55	28.1	3780	-.48	.03	.48				

## 6 TON STANDARD EFFICIENCY KCB074S4 WITH DEHUMIDIFICATION OPERATING

Entering Wet Bulb Temperature	Total Air Volume	Outdoor Air Temperature Entering Outdoor Coil																							
		65°F						75°F						85°F						95°F					
		Total Cool Cap.	Comp. Motor Input	Sensible To Total Ratio (S/T) Dry Bulb			Total Cool Cap.	Comp. Motor Input	Sensible To Total Ratio (S/T) Dry Bulb			Total Cool Cap.	Comp. Motor Input	Sensible To Total Ratio (S/T) Dry Bulb			Total Cool Cap.	Comp. Motor Input	Sensible To Total Ratio (S/T) Dry Bulb						
				75°F	80°F	85°F			75°F	80°F	85°F			75°F	80°F	85°F			75°F	80°F	85°F				
cfm	kBtuh	kW	75°F	80°F	85°F	kBtuh	kW	75°F	80°F	85°F	kBtuh	kW	75°F	80°F	85°F	kBtuh	kW	75°F	80°F	85°F					
63°F	1920	43.6	3210	.54	.74	.93	36.3	3520	.47	.73	.95	29.1	3890	.37	.69	.96	21.3	4320	.21	.64	1.00				
	2400	45.8	3250	.61	.82	1.00	37.9	3550	.54	.80	1.00	29.1	3890	.43	.87	.88	20.7	4310	.25	.87	.99				
	2880	46.5	3270	.63	.95	.99	38.2	3550	.63	.95	.98	29.7	3900	.60	.95	.98	20.6	4310	.31	.97	1.00				
67°F	1920	48.8	3280	.34	.52	.70	41.4	3590	.27	.48	.69	34.0	3960	.15	.40	.67	25.9	4400	-.19	.29	.64				
	2400	50.7	3310	.37	.57	.81	42.7	3610	.28	.52	.79	34.0	3960	.08	.47	.76	25.5	4390	-.10	.36	.79				
	2880	51.4	3320	.39	.65	.91	43.1	3620	.24	.60	.88	33.2	3950	.01	.61	.90	24.9	4380	-.15	.38	.91				
71°F	1920	53.6	3330	.19	.35	.51	46.3	3650	.09	.28	.47	38.4	4030	-.04	.19	.40	30.2	4470	-.29	.05	.33				
	2400	55.0	3360	.22	.38	.57	46.8	3660	.09	.31	.54	38.1	4020	-.07	.22	.47	29.1	4450	-.37	.06	.41				
	2880	55.7	3370	.25	.41	.64	46.7	3660	.10	.34	.59	37.4	4020	-.10	.23	.55	26.1	4400	-.46	.25	.50				

## 7.5 TON STANDARD EFFICIENCY KCB090S4 WITH DEHUMIDIFICATION OPERATING

Entering Wet Bulb Temperature	Total Air Volume	Outdoor Air Temperature Entering Outdoor Coil																							
		65°F						75°F						85°F						95°F					
		Total Cool Cap.	Comp. Motor Input	Sensible To Total Ratio (S/T) Dry Bulb			Total Cool Cap.	Comp. Motor Input	Sensible To Total Ratio (S/T) Dry Bulb			Total Cool Cap.	Comp. Motor Input	Sensible To Total Ratio (S/T) Dry Bulb			Total Cool Cap.	Comp. Motor Input	Sensible To Total Ratio (S/T) Dry Bulb						
				75°F	80°F	85°F			75°F	80°F	85°F			75°F	80°F	85°F			75°F	80°F	85°F				
cfm	kBtuh	kW	75°F	80°F	85°F	kBtuh	kW	75°F	80°F	85°F	kBtuh	kW	75°F	80°F	85°F	kBtuh	kW	75°F	80°F	85°F					
63°F	2400	53.6	4850	.49	.69	.90	44.1	5230	.45	.69	.91	35.4	5670	.38	.63	.93	25.9	6160	.07	.55	.90				
	3000	55.7	4930	.55	.76	1.00	45.6	5300	.44	.77	1.00	36.3	5730	.32	.68	1.00	25.1	6170	.10	.66	.99				
	3600	56.9	4980	.58	.81	1.00	45.9	5320	.36	.83	1.00	35.9	5740	.37	.74	.83	24.0	6170	.07	.76	.93				
67°F	2400	58.2	4950	.34	.53	.69	49.3	5340	.24	.45	.65	39.3	5750	.08	.40	.61	30.6	6240	-.19	.16	.53				
	3000	59.4	5000	.36	.58	.73	50.0	5370	.27	.47	.73	39.2	5780	.09	.44	.75	27.9	6210	-.26	.31	.67				
	3600	61.0	5020	.38	.53	.75	49.2	5370	.21	.56	.72	38.1	5770	.06	.48	.67	27.2	6210	-.36	.25	.77				
71°F	2400	62.9	5030	.19	.34	.50	53.5	5420	.06	.27	.45	43.9	5860	-.11	.17	.40	33.7	6320	-.43	-.03	.25				
	3000	63.6	5070	.18	.38	.52	52.9	5410	.08	.30	.54	42.6	5840	-.12	.17	.42	31.3	6290	-.50	-.06	.33				
	3600	63.4	5060	.19	.38	.58	52.6	5420	.07	.31	.47	40.2	5800	-.15	.28	.48	30.6	6280	-.60	-.09	.35				

**BLOWER DATA****DIRECT DRIVE - 2 TON****KCB024S4D****BLOWER TABLE INCLUDES RESISTANCE FOR BASE UNIT ONLY WITH DRY INDOOR COIL AND AIR FILTERS IN PLACE.**

FOR ALL UNITS ADD:

1 - Any factory installed options air resistance (economizer, wet coil, etc.) See page 41.

2 - Any field installed accessories air resistance (electric heat, duct resistance, diffuser, etc.) See page 41.

External Static Pressure (in. w.g.)	Air Volume (cfm) at Various Blower Speeds					
	208 VOLTS			230 VOLTS		
	High	Medium	Low	High	Medium	Low
<b>2 Ton Standard Efficiency (Downflow)</b>						<b>KCB024S</b>
0.0	1244	956	859	1414	1098	876
0.1	1226	934	820	1401	1092	870
0.2	1201	906	782	1379	1070	848
0.3	1180	877	727	1348	1039	819
0.4	1152	841	690	1318	1008	775
0.5	1118	812	634	1288	968	746
0.6	1090	768	579	1243	937	702
0.7	1048	725	505	1197	890	659
0.8	1006	667	431	1152	827	600
0.9	950	609	357	1076	749	528
1.0	839	493	248	986	623	468
<b>2 Ton Standard Efficiency (Horizontal)</b>						<b>KCB024S</b>
0.0	1166	910	801	1376	1071	842
0.1	1156	893	770	1342	1054	826
0.2	1136	866	734	1307	1021	808
0.3	1115	826	697	1269	982	771
0.4	1083	800	643	1232	956	734
0.5	1051	747	589	1194	903	698
0.6	1009	707	534	1137	850	662
0.7	946	668	467	1100	797	588
0.8	861	588	396	1024	744	534
0.9	736	508	319	948	652	466
1.0	560	385	237	845	549	392

**BLOWER DATA****DIRECT DRIVE - 2.5 TON****KCB030S4D****BLOWER TABLE INCLUDES RESISTANCE FOR BASE UNIT ONLY WITH DRY INDOOR COIL AND AIR FILTERS IN PLACE.**

FOR ALL UNITS ADD:

1 - Any factory installed options air resistance (economizer, wet coil, etc.) See page 41.

2 - Any field installed accessories air resistance (electric heat, duct resistance, diffuser, etc.) See page 41.

External Static Pressure (in. w.g.)	Air Volume (cfm) at Various Blower Speeds					
	208 VOLTS			230 VOLTS		
	High	Medium	Low	High	Medium	Low
<b>2.5 Ton Standard Efficiency (Downflow)</b>						<b>KCB030S</b>
0.0	1199	928	838	1379	1085	877
0.1	1229	926	813	1409	1086	872
0.2	1206	928	782	1367	1094	850
0.3	1183	881	742	1350	1047	820
0.4	1159	843	686	1321	1009	783
0.5	1136	812	643	1282	981	762
0.6	1103	766	569	1242	921	705
0.7	1046	728	496	1195	888	625
0.8	953	648	432	1134	792	583
0.9	909	584	335	1037	738	492
1.0	783	465	247	926	592	411
<b>2.5 Ton Standard Efficiency (Horizontal)</b>						<b>KCB030S</b>
0.0	1152	909	801	1325	1063	838
0.1	1152	893	770	1321	1048	826
0.2	1136	866	734	1288	1021	798
0.3	1104	826	697	1260	982	771
0.4	1072	787	643	1222	942	734
0.5	1041	747	589	1175	903	698
0.6	1009	707	534	1137	850	662
0.7	946	654	467	1081	797	588
0.8	861	588	396	1024	718	535
0.9	798	508	319	911	642	468
1.0	715	443	237	846	564	394

**BLOWER DATA**

**DIRECT DRIVE - 3 TON | 4 TON**

**KCB036S4D | KCB048S4D**

**BLOWER TABLE INCLUDES RESISTANCE FOR BASE UNIT ONLY WITH DRY INDOOR COIL AND AIR FILTERS IN PLACE.**

FOR ALL UNITS ADD:

1 - Any factory installed options air resistance (economizer, wet coil, etc.) See page 41.

2 - Any field installed accessories air resistance (electric heat, duct resistance, diffuser, etc.) See page 41.

External Static Pressure (in. w.g.)	Air Volume (cfm) at Various Blower Speeds								
	208 VOLTS			230 VOLTS			460/575 VOLTS		
	High	Medium	Low	High	Medium	Low	High	Medium	Low
<b>3 and 4 Ton Standard Efficiency (Downflow)</b>					<b>KCB036S and KCB048S</b>				
0.0	1938	1552	1119	2167	1772	1317	2136	1716	1212
0.1	1992	1586	1128	2167	1780	1315	2104	1728	1208
0.2	1915	1592	1137	2100	1792	1307	2052	1684	1197
0.3	1865	1536	1083	2043	1735	1266	1994	1647	1172
0.4	1813	1495	1033	1986	1678	1204	1918	1597	1134
0.5	1762	1444	976	1909	1621	1164	1861	1534	1096
0.6	1694	1391	899	1814	1535	1082	1765	1485	1059
0.7	1609	1331	817	1718	1478	1000	1689	1410	996
0.8	1471	1220	730	1603	1364	918	1613	1335	920
0.9	1368	1066	522	1488	1250	755	1498	1235	848
1.0	1108	869	402	1259	1021	640	1345	1036	763
<b>3 and 4 Ton Standard Efficiency (Horizontal)</b>					<b>KCB036S and KCB048S</b>				
0.0	1862	1520	1070	2082	1736	1259	2085	1745	1247
0.1	1867	1530	1069	2031	1717	1246	2070	1744	1257
0.2	1804	1485	1067	1978	1672	1227	2016	1690	1225
0.3	1741	1440	1018	1907	1627	1190	1944	1643	1192
0.4	1677	1396	968	1837	1567	1128	1890	1596	1160
0.5	1614	1329	894	1749	1492	1066	1800	1533	1111
0.6	1550	1284	844	1660	1417	1016	1727	1455	1062
0.7	1455	1195	769	1554	1327	941	1655	1377	996
0.8	1329	1106	670	1448	1237	842	1511	1283	865
0.9	1202	927	496	1307	1087	718	1403	1190	784
1.0	1012	828	385	1025	973	613	1222	1002	670

**BLOWER DATA**

**DIRECT DRIVE - 5 TON**

**KCB060S4D**

**BLOWER TABLE INCLUDES RESISTANCE FOR BASE UNIT ONLY WITH DRY INDOOR COIL AND AIR FILTERS IN PLACE.**

FOR ALL UNITS ADD:

1 - Any factory installed options air resistance (economizer, wet coil, etc.) See page 41.

2 - Any field installed accessories air resistance (electric heat, duct resistance, diffuser, etc.) See page 41.

External Static Pressure (in. w.g.)	Air Volume (cfm) at Various Blower Speeds					
	208 VOLTS		230 VOLTS		460/575 VOLTS	
	High	Low	High	Low	High	Low
<b>5 Ton Standard Efficiency (Downflow)</b>						<b>KCB060S</b>
0.0	1883	1570	2074	1785	2074	1785
0.1	1871	1550	2050	1760	2050	1760
0.2	1855	1538	2018	1735	2018	1735
0.3	1828	1523	1986	1704	1986	1704
0.4	1786	1499	1937	1679	1937	1679
0.5	1759	1476	1905	1642	1905	1642
0.6	1718	1452	1856	1605	1856	1605
0.7	1676	1421	1791	1567	1791	1567
0.8	1622	1358	1726	1505	1726	1505
0.9	1539	1277	1628	1406	1628	1406
1.0	1399	---	1502	1300	1502	1300
<b>5 Ton Standard Efficiency (Horizontal)</b>						<b>KCB060S</b>
0.0	1852	1534	2046	1713	2046	1713
0.1	1844	1532	2024	1711	2024	1711
0.2	1831	1526	1998	1706	1998	1706
0.3	1800	1504	1954	1681	1954	1681
0.4	1769	1477	1918	1654	1918	1654
0.5	1722	1450	1865	1612	1865	1612
0.6	1674	1423	1812	1570	1812	1570
0.7	1627	1369	1742	1515	1742	1515
0.8	1565	1315	1672	1459	1672	1459
0.9	1470	1241	1530	1376	1530	1376
1.0	1323	---	1426	1242	1426	1242

**BLOWER DATA**

**BELT DRIVE (SINGLE SPEED) - 3 TON**

KCB036S4B

**BLOWER TABLE INCLUDES RESISTANCE FOR BASE UNIT ONLY WITH DRY INDOOR COIL AND AIR FILTERS IN PLACE.**

FOR ALL UNITS ADD:

- 1 - Any factory installed options air resistance (economizer, wet coil, etc.)
- 2 - Any field installed accessories air resistance (electric heat, duct resistance, diffuser, etc.)

See page 41 for blower motors and drives and wet coil and options/accessory air resistance data.

**DOWNFLOW**

Air Volume cfm	External Static - in. w.g.															
	0.10		0.20		0.30		0.40		0.50		0.60		0.70		0.80	
	RPM	BHP	RPM	BHP	RPM	BHP	RPM	BHP	RPM	BHP	RPM	BHP	RPM	BHP	RPM	BHP
900	486	0.12	554	0.16	623	0.20	695	0.22	767	0.23	836	0.25	897	0.28	953	0.30
1000	508	0.15	576	0.19	643	0.22	713	0.24	783	0.26	848	0.28	907	0.30	961	0.33
1100	533	0.18	599	0.22	665	0.25	733	0.27	800	0.28	863	0.31	919	0.34	971	0.36
1200	560	0.21	625	0.25	689	0.28	755	0.30	820	0.32	879	0.34	932	0.37	983	0.40
1300	591	0.24	654	0.28	716	0.31	779	0.33	841	0.35	897	0.38	948	0.41	996	0.44
1400	631	0.26	690	0.30	748	0.34	807	0.36	864	0.39	916	0.42	964	0.46	1011	0.49
1500	676	0.28	729	0.33	782	0.36	835	0.40	887	0.43	935	0.47	981	0.50	1028	0.54

Air Volume cfm	External Static - in. w.g.															
	0.90		1.00		1.10		1.20		1.30		1.40		1.50		1.60	
	RPM	BHP	RPM	BHP	RPM	BHP	RPM	BHP	RPM	BHP	RPM	BHP	RPM	BHP	RPM	BHP
900	1004	0.33	1055	0.35	1106	0.37	1152	0.40	1193	0.43	1232	0.46	1269	0.49	1305	0.52
1000	1011	0.36	1062	0.38	1111	0.41	1157	0.43	1199	0.47	1238	0.50	1276	0.53	1311	0.56
1100	1020	0.39	1070	0.41	1118	0.44	1163	0.47	1206	0.51	1245	0.54	1282	0.58	1318	0.61
1200	1031	0.43	1079	0.45	1127	0.48	1171	0.52	1213	0.55	1252	0.59	1289	0.62	1324	0.66
1300	1044	0.47	1091	0.49	1137	0.53	1181	0.56	1221	0.60	1259	0.64	1296	0.68	1330	0.71
1400	1058	0.51	1105	0.54	1150	0.57	1191	0.61	1231	0.65	1268	0.69	1303	0.73	1337	0.77
1500	1074	0.56	1120	0.59	1163	0.63	1203	0.67	1241	0.71	1277	0.75	1312	0.79	1345	0.82

**HORIZONTAL**

Air Volume cfm	External Static - in. w.g.															
	0.10		0.20		0.30		0.40		0.50		0.60		0.70		0.80	
	RPM	BHP	RPM	BHP	RPM	BHP	RPM	BHP	RPM	BHP	RPM	BHP	RPM	BHP	RPM	BHP
900	485	0.11	554	0.14	627	0.16	703	0.18	780	0.21	841	0.23	888	0.27	935	0.30
1000	509	0.13	578	0.16	649	0.19	722	0.21	796	0.23	854	0.26	900	0.29	947	0.33
1100	537	0.16	605	0.19	674	0.21	744	0.24	813	0.26	868	0.29	913	0.33	959	0.36
1200	567	0.19	633	0.22	700	0.24	768	0.27	833	0.30	884	0.33	928	0.37	974	0.40
1300	599	0.22	664	0.25	729	0.28	793	0.30	853	0.33	902	0.37	945	0.41	990	0.44
1400	634	0.26	697	0.29	758	0.31	819	0.34	875	0.38	921	0.42	964	0.46	1008	0.49
1500	669	0.30	730	0.33	789	0.36	846	0.39	897	0.42	941	0.47	983	0.51	1028	0.54

Air Volume cfm	External Static - in. w.g.															
	0.90		1.00		1.10		1.20		1.30		1.40		1.50		1.60	
	RPM	BHP	RPM	BHP	RPM	BHP	RPM	BHP	RPM	BHP	RPM	BHP	RPM	BHP	RPM	BHP
900	986	0.32	1039	0.35	1090	0.37	1137	0.40	1177	0.43	1214	0.46	1248	0.49	1280	0.51
1000	997	0.35	1048	0.38	1098	0.41	1143	0.44	1184	0.47	1221	0.50	1255	0.53	1287	0.56
1100	1008	0.39	1059	0.41	1107	0.44	1150	0.47	1191	0.51	1228	0.54	1263	0.57	1295	0.60
1200	1022	0.43	1071	0.45	1117	0.48	1160	0.52	1200	0.55	1237	0.59	1271	0.62	1303	0.66
1300	1037	0.47	1085	0.50	1130	0.53	1171	0.57	1210	0.60	1246	0.64	1280	0.68	1312	0.71
1400	1054	0.52	1100	0.54	1144	0.58	1183	0.62	1221	0.66	1256	0.70	1290	0.73	1321	0.77
1500	1073	0.57	1117	0.60	1159	0.64	1197	0.67	1234	0.71	1268	0.75	1301	0.79	1332	0.83



**BLOWER DATA**

**BELT DRIVE (SINGLE SPEED) - 4 TON**

KCB048S4B

**BLOWER TABLE INCLUDES RESISTANCE FOR BASE UNIT ONLY WITH DRY INDOOR COIL AND AIR FILTERS IN PLACE.**

FOR ALL UNITS ADD:

1 - Any factory installed options air resistance (economizer, wet coil, etc.) See page 41.

2 - Any field installed accessories air resistance (electric heat, duct resistance, diffuser, etc.) See page 41.

See page 41 for blower motors and drives and wet coil and options/accessory air resistance data.

**DOWNFLOW**

Air Volume cfm	External Static - in. w.g.															
	0.10		0.20		0.30		0.40		0.50		0.60		0.70		0.80	
	RPM	BHP	RPM	BHP	RPM	BHP	RPM	BHP	RPM	BHP	RPM	BHP	RPM	BHP	RPM	BHP
1200	560	0.21	625	0.25	689	0.28	755	0.30	820	0.32	879	0.34	932	0.37	983	0.40
1300	591	0.24	654	0.28	716	0.31	779	0.33	841	0.35	897	0.38	948	0.41	996	0.44
1400	631	0.26	690	0.30	748	0.34	807	0.36	864	0.39	916	0.42	964	0.46	1011	0.49
1500	675	0.28	729	0.33	782	0.36	835	0.40	887	0.43	935	0.47	981	0.50	1028	0.54
1600	718	0.31	766	0.35	814	0.40	862	0.44	910	0.48	955	0.52	1000	0.55	1046	0.59
1700	756	0.34	799	0.39	843	0.44	887	0.49	932	0.53	976	0.57	1020	0.61	1066	0.64
1800	787	0.40	828	0.45	870	0.50	912	0.55	955	0.59	999	0.63	1043	0.67	1089	0.70
1900	815	0.46	855	0.51	897	0.57	939	0.62	981	0.66	1024	0.69	1068	0.73	1113	0.76
2000	843	0.53	884	0.59	925	0.64	968	0.68	1009	0.72	1052	0.76	1095	0.79	1138	0.83

Air Volume cfm	External Static - in. w.g.															
	0.90		1.00		1.10		1.20		1.30		1.40		1.50		1.60	
	RPM	BHP	RPM	BHP	RPM	BHP	RPM	BHP	RPM	BHP	RPM	BHP	RPM	BHP	RPM	BHP
1200	1031	0.43	1079	0.45	1127	0.48	1171	0.52	1213	0.55	1252	0.59	1289	0.62	1324	0.66
1300	1044	0.47	1091	0.49	1137	0.53	1181	0.56	1221	0.60	1259	0.64	1296	0.68	1330	0.71
1400	1058	0.51	1105	0.54	1150	0.57	1191	0.61	1231	0.65	1268	0.69	1303	0.73	1337	0.77
1500	1074	0.56	1120	0.59	1163	0.63	1203	0.67	1241	0.71	1277	0.75	1312	0.79	1345	0.82
1600	1092	0.61	1137	0.65	1178	0.68	1216	0.72	1253	0.76	1288	0.80	1321	0.84	1354	0.88
1700	1112	0.67	1155	0.70	1193	0.75	1230	0.79	1265	0.83	1299	0.87	1332	0.91	1364	0.95
1800	1133	0.73	1174	0.77	1209	0.81	1244	0.85	1278	0.90	1311	0.94	1343	0.98	1375	1.02
1900	1156	0.80	1193	0.84	1226	0.89	1260	0.93	1293	0.97	1325	1.01	1356	1.06	1388	1.10
2000	1178	0.87	1213	0.92	1243	0.97	1275	1.02	1307	1.06	1339	1.10	1370	1.14	1402	1.18

**HORIZONTAL**

Air Volume cfm	External Static - in. w.g.															
	0.10		0.20		0.30		0.40		0.50		0.60		0.70		0.80	
	RPM	BHP	RPM	BHP	RPM	BHP	RPM	BHP	RPM	BHP	RPM	BHP	RPM	BHP	RPM	BHP
1200	567	0.19	633	0.22	700	0.24	768	0.27	833	0.30	884	0.33	928	0.37	974	0.40
1300	599	0.22	664	0.25	729	0.28	793	0.30	853	0.33	902	0.37	945	0.41	990	0.44
1400	634	0.26	697	0.29	758	0.31	819	0.34	875	0.38	921	0.42	964	0.46	1008	0.49
1500	669	0.30	730	0.33	789	0.36	846	0.39	897	0.42	941	0.47	983	0.51	1028	0.54
1600	705	0.34	763	0.37	819	0.40	873	0.43	921	0.48	963	0.52	1004	0.56	1048	0.59
1700	741	0.38	796	0.41	850	0.45	900	0.49	945	0.53	985	0.58	1026	0.62	1070	0.65
1800	776	0.43	829	0.46	880	0.51	927	0.55	970	0.60	1009	0.64	1050	0.68	1093	0.71
1900	812	0.48	862	0.52	910	0.57	955	0.62	996	0.66	1035	0.71	1076	0.74	1118	0.78
2000	847	0.54	895	0.59	941	0.64	984	0.69	1023	0.74	1062	0.78	1103	0.81	1144	0.85

Air Volume cfm	External Static - in. w.g.															
	0.90		1.00		1.10		1.20		1.30		1.40		1.50		1.60	
	RPM	BHP	RPM	BHP	RPM	BHP	RPM	BHP	RPM	BHP	RPM	BHP	RPM	BHP	RPM	BHP
1200	1022	0.43	1071	0.45	1117	0.48	1160	0.52	1200	0.55	1237	0.59	1271	0.62	1303	0.66
1300	1037	0.47	1085	0.50	1130	0.53	1171	0.57	1210	0.60	1246	0.64	1280	0.68	1312	0.71
1400	1054	0.52	1100	0.54	1144	0.58	1183	0.62	1221	0.66	1256	0.70	1290	0.73	1321	0.77
1500	1073	0.57	1117	0.60	1159	0.64	1197	0.67	1234	0.71	1268	0.75	1301	0.79	1332	0.83
1600	1093	0.62	1136	0.66	1175	0.70	1212	0.74	1247	0.78	1281	0.82	1313	0.86	1344	0.90
1700	1114	0.68	1155	0.72	1192	0.76	1227	0.80	1262	0.85	1295	0.89	1327	0.93	1358	0.97
1800	1136	0.75	1175	0.79	1210	0.83	1245	0.88	1278	0.92	1311	0.97	1342	1.01	1373	1.05
1900	1159	0.82	1197	0.86	1229	0.92	1263	0.97	1296	1.01	1328	1.06	1359	1.10	1390	1.14
2000	1183	0.90	1218	0.95	1249	1.01	1282	1.06	1314	1.11	1346	1.15	1377	1.20	1408	1.24

**BLOWER DATA**

**BELT DRIVE (SINGLE SPEED) - 5 TON**

**KCB060S4B**

**BLOWER TABLE INCLUDES RESISTANCE FOR BASE UNIT ONLY WITH DRY INDOOR COIL AND AIR FILTERS IN PLACE.**

FOR ALL UNITS ADD:

1 - Any factory installed options air resistance (economizer, wet coil, etc.) See page 41.

2 - Any field installed accessories air resistance (electric heat, duct resistance, diffuser, etc.) See page 41.

See page 41 for blower motors and drives and wet coil and options/accessory air resistance data.

**DOWNFLOW**

Air Volume cfm	External Static - in. w.g.															
	0.10		0.20		0.30		0.40		0.50		0.60		0.70		0.80	
	RPM	BHP	RPM	BHP	RPM	BHP	RPM	BHP	RPM	BHP	RPM	BHP	RPM	BHP	RPM	BHP
1600	665	0.30	716	0.34	768	0.38	819	0.41	879	0.44	937	0.46	985	0.49	1022	0.52
1700	723	0.31	768	0.35	814	0.39	860	0.43	910	0.47	959	0.50	1001	0.54	1037	0.58
1800	779	0.32	818	0.37	857	0.41	897	0.46	939	0.50	980	0.55	1018	0.59	1054	0.64
1900	826	0.36	859	0.41	894	0.45	928	0.50	964	0.56	1000	0.61	1036	0.66	1072	0.70
2000	857	0.42	889	0.47	920	0.52	952	0.57	986	0.62	1020	0.68	1055	0.73	1091	0.77
2100	878	0.49	909	0.54	940	0.59	973	0.64	1006	0.70	1041	0.75	1076	0.80	1112	0.85
2200	897	0.55	929	0.61	961	0.66	994	0.72	1028	0.78	1063	0.83	1099	0.89	1134	0.93
2300	918	0.62	950	0.68	983	0.74	1017	0.80	1052	0.86	1087	0.92	1122	0.97	1157	1.02
2400	941	0.70	974	0.77	1008	0.83	1042	0.90	1077	0.96	1111	1.01	1146	1.06	1181	1.11

Air Volume cfm	External Static - in. w.g.															
	0.90		1.00		1.10		1.20		1.30		1.40		1.50		1.60	
	RPM	BHP	RPM	BHP	RPM	BHP	RPM	BHP	RPM	BHP	RPM	BHP	RPM	BHP	RPM	BHP
1600	1059	0.57	1098	0.61	1138	0.65	1177	0.68	1218	0.71	1257	0.75	1290	0.79	1319	0.83
1700	1074	0.62	1113	0.66	1152	0.70	1190	0.74	1231	0.77	1268	0.80	1299	0.84	1328	0.89
1800	1091	0.68	1129	0.72	1167	0.76	1205	0.80	1244	0.83	1280	0.87	1310	0.91	1338	0.95
1900	1109	0.75	1146	0.79	1183	0.82	1221	0.86	1260	0.90	1294	0.94	1323	0.98	1349	1.02
2000	1128	0.82	1164	0.86	1201	0.89	1239	0.93	1276	0.97	1310	1.01	1336	1.06	1362	1.10
2100	1148	0.89	1185	0.93	1221	0.97	1258	1.01	1294	1.05	1325	1.09	1351	1.14	1376	1.19
2200	1170	0.97	1206	1.01	1242	1.05	1277	1.09	1311	1.14	1341	1.18	1365	1.23	1390	1.28
2300	1193	1.06	1228	1.09	1262	1.14	1295	1.19	1327	1.24	1355	1.29	1380	1.33	1406	1.37
2400	1216	1.15	1250	1.19	1282	1.24	1313	1.30	1343	1.36	1371	1.40	1396	1.44	1423	1.48

**HORIZONTAL**

Air Volume cfm	External Static - in. w.g.															
	0.10		0.20		0.30		0.40		0.50		0.60		0.70		0.80	
	RPM	BHP	RPM	BHP	RPM	BHP	RPM	BHP	RPM	BHP	RPM	BHP	RPM	BHP	RPM	BHP
1600	712	0.29	758	0.32	807	0.36	855	0.39	906	0.43	955	0.46	997	0.50	1035	0.54
1700	766	0.32	808	0.36	850	0.40	892	0.44	936	0.47	978	0.51	1016	0.56	1052	0.60
1800	814	0.36	851	0.40	888	0.44	925	0.49	963	0.53	1000	0.57	1035	0.62	1071	0.66
1900	853	0.41	886	0.46	919	0.50	952	0.55	986	0.60	1021	0.64	1056	0.69	1091	0.73
2000	883	0.48	913	0.53	944	0.57	976	0.62	1009	0.67	1043	0.71	1078	0.76	1112	0.80
2100	906	0.56	936	0.60	967	0.65	999	0.70	1033	0.75	1067	0.79	1101	0.84	1135	0.88
2200	930	0.64	960	0.68	991	0.73	1024	0.78	1058	0.83	1092	0.88	1126	0.92	1160	0.96
2300	954	0.72	985	0.77	1017	0.82	1051	0.87	1085	0.92	1119	0.96	1152	1.00	1186	1.04
2400	981	0.81	1013	0.86	1046	0.91	1079	0.96	1113	1.00	1146	1.05	1180	1.09	1213	1.13

Air Volume cfm	External Static - in. w.g.															
	0.90		1.00		1.10		1.20		1.30		1.40		1.50		1.60	
	RPM	BHP	RPM	BHP	RPM	BHP	RPM	BHP	RPM	BHP	RPM	BHP	RPM	BHP	RPM	BHP
1600	1071	0.58	1109	0.62	1147	0.66	1186	0.69	1225	0.72	1263	0.76	1299	0.80	1334	0.83
1700	1088	0.64	1126	0.68	1164	0.72	1202	0.75	1240	0.78	1276	0.82	1311	0.86	1345	0.90
1800	1107	0.70	1143	0.74	1181	0.78	1219	0.81	1256	0.85	1291	0.89	1324	0.93	1357	0.97
1900	1126	0.77	1163	0.81	1200	0.85	1237	0.88	1273	0.92	1306	0.96	1339	1.00	1371	1.04
2000	1148	0.84	1183	0.88	1220	0.92	1257	0.96	1291	1.00	1323	1.04	1354	1.08	1385	1.12
2100	1170	0.92	1206	0.96	1242	1.00	1277	1.04	1310	1.08	1340	1.13	1371	1.17	1401	1.21
2200	1195	1.00	1230	1.04	1265	1.08	1299	1.13	1330	1.18	1359	1.23	1388	1.27	1418	1.31
2300	1220	1.08	1254	1.13	1288	1.17	1320	1.23	1350	1.28	1378	1.34	1406	1.38	1435	1.42
2400	1245	1.18	1278	1.22	1311	1.28	1341	1.33	1370	1.40	1397	1.45	1425	1.50	1454	1.54

**BLOWER DATA**

**BELT DRIVE (SINGLE SPEED) - 6 TON (DOWNFLOW)**

KCB074S4B

**BLOWER TABLE INCLUDES RESISTANCE FOR BASE UNIT ONLY WITH DRY INDOOR COIL AND AIR FILTERS IN PLACE.**

FOR ALL UNITS ADD:

1 - Any factory installed options air resistance (economizer, wet coil, etc.) See page 41.

2 - Any field installed accessories air resistance (electric heat, duct resistance, diffuser, etc.) See page 41.

See page 41 for blower motors and drives and wet coil and options/accessory air resistance data.

Air Volume cfm	External Static - in. w.g.															
	0.10		0.20		0.30		0.40		0.50		0.60		0.70		0.80	
	RPM	BHP	RPM	BHP	RPM	BHP	RPM	BHP	RPM	BHP	RPM	BHP	RPM	BHP	RPM	BHP
1900	826	0.36	859	0.41	894	0.45	928	0.50	964	0.56	1000	0.61	1036	0.66	1072	0.70
2000	857	0.42	889	0.47	920	0.52	952	0.57	986	0.62	1020	0.68	1055	0.73	1091	0.77
2100	878	0.49	909	0.54	940	0.59	973	0.64	1006	0.70	1041	0.75	1076	0.80	1112	0.85
2200	897	0.55	929	0.61	961	0.66	994	0.72	1028	0.78	1063	0.83	1099	0.89	1134	0.93
2300	918	0.62	950	0.68	983	0.74	1017	0.80	1052	0.86	1087	0.92	1122	0.97	1157	1.02
2400	941	0.70	974	0.77	1008	0.83	1042	0.90	1077	0.96	1111	1.01	1146	1.06	1181	1.11
2500	966	0.79	1000	0.86	1034	0.93	1068	1.00	1103	1.06	1137	1.11	1171	1.16	1205	1.20
2600	994	0.90	1028	0.97	1062	1.04	1096	1.10	1130	1.16	1164	1.21	1197	1.26	1231	1.30
2700	1023	1.01	1057	1.08	1091	1.15	1125	1.22	1159	1.27	1192	1.32	1225	1.37	1258	1.41
2800	1053	1.13	1088	1.21	1122	1.27	1155	1.33	1188	1.39	1221	1.43	1253	1.48	1286	1.53
2900	1085	1.26	1119	1.33	1153	1.40	1186	1.45	1218	1.51	1250	1.55	1281	1.61	1313	1.66

Air Volume cfm	External Static - in. w.g.															
	0.90		1.00		1.10		1.20		1.30		1.40		1.50		1.60	
	RPM	BHP	RPM	BHP	RPM	BHP	RPM	BHP	RPM	BHP	RPM	BHP	RPM	BHP	RPM	BHP
1900	1109	0.75	1146	0.79	1183	0.82	1221	0.86	1260	0.90	1294	0.94	1323	0.98	1349	1.02
2000	1128	0.82	1164	0.86	1201	0.89	1239	0.93	1276	0.97	1310	1.01	1336	1.06	1362	1.10
2100	1148	0.89	1185	0.93	1221	0.97	1258	1.01	1294	1.05	1325	1.09	1351	1.14	1376	1.19
2200	1170	0.97	1206	1.01	1242	1.05	1277	1.09	1311	1.14	1341	1.18	1365	1.23	1390	1.28
2300	1193	1.06	1228	1.09	1262	1.14	1295	1.19	1327	1.24	1355	1.29	1380	1.33	1406	1.37
2400	1216	1.15	1250	1.19	1282	1.24	1313	1.30	1343	1.36	1371	1.40	1396	1.44	1423	1.48
2500	1240	1.24	1273	1.29	1302	1.36	1331	1.42	1360	1.48	1388	1.52	1414	1.55	1441	1.58
2600	1265	1.34	1296	1.40	1324	1.47	1352	1.54	1381	1.60	1408	1.64	1434	1.67	1460	1.70
2700	1291	1.46	1321	1.52	1347	1.60	1374	1.67	1403	1.72	1429	1.76	1455	1.79	1481	1.82
2800	1317	1.58	1346	1.66	1372	1.74	1399	1.80	1426	1.85	1451	1.89	1477	1.92	1503	1.95
2900	1343	1.72	1371	1.80	1397	1.88	1424	1.95	1450	1.99	1475	2.02	1500	2.05	1526	2.08

**BLOWER DATA**

**BELT DRIVE (SINGLE SPEED) - 6 TON (HORIZONTAL)**

**KCB074S4B**

**BLOWER TABLE INCLUDES RESISTANCE FOR BASE UNIT ONLY WITH DRY INDOOR COIL AND AIR FILTERS IN PLACE.**

FOR ALL UNITS ADD:

1 - Any factory installed options air resistance (economizer, wet coil, etc.) See page 41.

2 - Any field installed accessories air resistance (electric heat, duct resistance, diffuser, etc.) See page 41.

See page 41 for blower motors and drives and wet coil and options/accessory air resistance data.

Air Volume cfm	External Static - in. w.g.															
	0.10		0.20		0.30		0.40		0.50		0.60		0.70		0.80	
	RPM	BHP	RPM	BHP	RPM	BHP	RPM	BHP	RPM	BHP	RPM	BHP	RPM	BHP	RPM	BHP
1900	853	0.41	886	0.46	919	0.50	952	0.55	986	0.60	1021	0.64	1056	0.69	1091	0.73
2000	883	0.48	913	0.53	944	0.57	976	0.62	1009	0.67	1043	0.71	1078	0.76	1112	0.80
2100	906	0.56	936	0.60	967	0.65	999	0.70	1033	0.75	1067	0.79	1101	0.84	1135	0.88
2200	930	0.64	960	0.68	991	0.73	1024	0.78	1058	0.83	1092	0.88	1126	0.92	1160	0.96
2300	954	0.72	985	0.77	1017	0.82	1051	0.87	1085	0.92	1119	0.96	1152	1.00	1186	1.04
2400	981	0.81	1013	0.86	1046	0.91	1079	0.96	1113	1.00	1146	1.05	1180	1.09	1213	1.13
2500	1010	0.91	1042	0.96	1075	1.00	1109	1.05	1142	1.09	1175	1.14	1207	1.18	1239	1.23
2600	1040	1.01	1073	1.05	1106	1.10	1139	1.14	1171	1.19	1203	1.23	1235	1.28	1266	1.33
2700	1072	1.10	1104	1.15	1137	1.20	1169	1.24	1201	1.29	1232	1.34	1263	1.40	1293	1.46
2800	1105	1.21	1137	1.25	1168	1.30	1200	1.35	1231	1.40	1261	1.46	1291	1.52	1321	1.59
2900	1138	1.32	1169	1.37	1200	1.42	1231	1.47	1261	1.53	1291	1.60	1321	1.66	1350	1.73

Air Volume cfm	External Static - in. w.g.															
	0.90		1.00		1.10		1.20		1.30		1.40		1.50		1.60	
	RPM	BHP	RPM	BHP	RPM	BHP	RPM	BHP	RPM	BHP	RPM	BHP	RPM	BHP	RPM	BHP
1900	1126	0.77	1163	0.81	1200	0.85	1237	0.88	1273	0.92	1306	0.96	1339	1.00	1371	1.04
2000	1148	0.84	1183	0.88	1220	0.92	1257	0.96	1291	1.00	1323	1.04	1354	1.08	1385	1.12
2100	1170	0.92	1206	0.96	1242	1.00	1277	1.04	1310	1.08	1340	1.13	1371	1.17	1401	1.21
2200	1195	1.00	1230	1.04	1265	1.08	1299	1.13	1330	1.18	1359	1.23	1388	1.27	1418	1.31
2300	1220	1.08	1254	1.13	1288	1.17	1320	1.23	1350	1.28	1378	1.34	1406	1.38	1435	1.42
2400	1245	1.18	1278	1.22	1311	1.28	1341	1.33	1370	1.40	1397	1.45	1425	1.50	1454	1.54
2500	1271	1.28	1303	1.33	1334	1.39	1363	1.45	1391	1.52	1418	1.57	1446	1.62	1474	1.66
2600	1297	1.39	1328	1.45	1357	1.52	1385	1.58	1412	1.64	1439	1.70	1467	1.74	1495	1.78
2700	1323	1.52	1353	1.58	1382	1.65	1409	1.72	1435	1.77	1462	1.82	1490	1.86	1517	1.90
2800	1351	1.65	1380	1.72	1407	1.78	1434	1.85	1460	1.90	1486	1.95	1513	1.99	1541	2.02
2900	1379	1.79	1407	1.86	1434	1.92	1460	1.98	1485	2.04	1511	2.08	1538	2.12	1565	2.15

**BLOWER DATA**

**BELT DRIVE (SINGLE AND TWO-SPEED) - 6 TON (DOWNFLOW)**

KCB072H4B | KCB074H4T

**BLOWER TABLE INCLUDES RESISTANCE FOR BASE UNIT ONLY WITH DRY INDOOR COIL AND AIR FILTERS IN PLACE.**

FOR ALL UNITS ADD:

1 - Any factory installed options air resistance (heat section, economizer, etc.).

2 - Any field installed accessories air resistance (duct resistance, diffuser, etc.).

See page 41 for blower motors and drives and wet coil and options/accessory air resistance data.

Air Volume (cfm)	External Static (in.w.g.)																			
	0.10		0.20		0.30		0.40		0.50		0.60		0.70		0.80		0.9		1.0	
	RPM	BHP	RPM	BHP	RPM	BHP	RPM	BHP	RPM	BHP	RPM	BHP	RPM	BHP	RPM	BHP	RPM	BHP	RPM	BHP
1900	480	0.38	512	0.44	545	0.51	579	0.57	614	0.63	648	0.7	683	0.76	719	0.83	752	0.89	781	0.95
2000	493	0.43	525	0.49	558	0.56	592	0.62	626	0.68	659	0.75	693	0.81	728	0.88	759	0.94	788	1
2100	507	0.48	539	0.54	572	0.61	605	0.67	639	0.74	671	0.8	704	0.86	737	0.93	768	0.99	795	1.04
2200	522	0.53	554	0.6	587	0.66	619	0.73	652	0.79	684	0.86	716	0.92	747	0.98	777	1.04	803	1.1
2300	537	0.59	569	0.65	602	0.72	634	0.79	666	0.85	697	0.91	728	0.98	758	1.04	786	1.1	812	1.15
2400	553	0.65	585	0.71	617	0.78	649	0.85	680	0.91	711	0.98	740	1.04	769	1.1	796	1.15	821	1.21
2500	570	0.71	602	0.78	633	0.84	665	0.91	695	0.97	725	1.04	753	1.1	781	1.16	807	1.22	832	1.27
2600	588	0.77	619	0.84	650	0.91	680	0.97	710	1.04	739	1.1	767	1.16	793	1.22	818	1.28	842	1.33
2700	607	0.84	637	0.91	667	0.97	697	1.04	726	1.11	753	1.17	780	1.23	806	1.29	830	1.35	854	1.4
2800	626	0.91	655	0.97	684	1.04	713	1.11	741	1.18	768	1.24	794	1.3	819	1.36	842	1.42	866	1.47
2900	646	0.98	674	1.05	702	1.11	730	1.18	757	1.25	783	1.32	808	1.38	832	1.44	855	1.49	878	1.54

Air Volume (cfm)	External Static (in.w.g.)																			
	1.1		1.2		1.3		1.4		1.5		1.6		1.7		1.8		1.9		2.0	
	RPM	BHP	RPM	BHP	RPM	BHP	RPM	BHP	RPM	BHP	RPM	BHP	RPM	BHP	RPM	BHP	RPM	BHP	RPM	BHP
1900	807	1	832	1.04	857	1.07	883	1.11	912	1.14	941	1.17	968	1.21	993	1.25	1017	1.29	1039	1.34
2000	813	1.04	838	1.08	862	1.12	889	1.15	917	1.19	945	1.22	972	1.26	997	1.3	1020	1.35	1042	1.4
2100	820	1.09	844	1.13	869	1.17	895	1.21	923	1.24	951	1.28	977	1.32	1001	1.36	1024	1.41	1046	1.46
2200	828	1.14	852	1.18	877	1.22	903	1.26	930	1.3	957	1.33	983	1.37	1006	1.42	1028	1.47	1050	1.53
2300	836	1.2	861	1.24	885	1.28	911	1.31	938	1.35	964	1.39	989	1.43	1012	1.48	1033	1.54	1054	1.6
2400	846	1.25	870	1.29	895	1.33	920	1.37	947	1.41	972	1.45	996	1.5	1018	1.55	1039	1.61	1059	1.67
2500	856	1.31	880	1.35	905	1.39	930	1.43	956	1.47	980	1.52	1003	1.57	1024	1.63	1044	1.69	1064	1.76
2600	866	1.38	891	1.42	915	1.46	940	1.5	965	1.54	988	1.59	1010	1.65	1031	1.71	1050	1.78	1069	1.84
2700	878	1.44	902	1.48	926	1.52	950	1.57	974	1.61	997	1.67	1018	1.73	1037	1.8	1056	1.87	1075	1.93
2800	889	1.51	913	1.55	937	1.59	961	1.64	984	1.69	1006	1.75	1026	1.82	1044	1.89	1063	1.96	1081	2.03
2900	902	1.58	925	1.63	949	1.67	972	1.72	994	1.78	1015	1.84	1034	1.91	1052	1.99	1069	2.06	1087	2.13

**BLOWER DATA**

**BELT DRIVE (SINGLE AND TWO-SPEED) - 6 TON (HORIZONTAL)**

KCB072H4B | KCB074H4T

**BLOWER TABLE INCLUDES RESISTANCE FOR BASE UNIT ONLY WITH DRY INDOOR COIL AND AIR FILTERS IN PLACE.**

FOR ALL UNITS ADD:

1 - Any factory installed options air resistance (heat section, economizer, etc.).

2 - Any field installed accessories air resistance (duct resistance, diffuser, etc.).

See page 41 for blower motors and drives and wet coil and options/accessory air resistance data.

Air Volume (cfm)	External Static (in.w.g.)																			
	0.10		0.20		0.30		0.40		0.50		0.60		0.70		0.80		0.9		1.0	
	RPM	BHP	RPM	BHP	RPM	BHP	RPM	BHP	RPM	BHP	RPM	BHP	RPM	BHP	RPM	BHP	RPM	BHP	RPM	BHP
1900	507	0.55	538	0.58	571	0.6	604	0.63	639	0.66	673	0.7	707	0.74	740	0.78	772	0.82	802	0.86
2000	522	0.59	554	0.62	586	0.64	620	0.67	653	0.71	687	0.74	720	0.78	752	0.82	783	0.87	812	0.91
2100	539	0.63	571	0.66	603	0.69	636	0.72	669	0.75	702	0.79	734	0.83	765	0.88	795	0.92	823	0.97
2200	557	0.68	588	0.71	620	0.74	652	0.77	685	0.81	717	0.84	748	0.89	778	0.93	807	0.98	834	1.03
2300	576	0.73	607	0.76	638	0.79	670	0.83	701	0.86	733	0.9	763	0.95	792	0.99	820	1.04	846	1.09
2400	596	0.79	626	0.82	657	0.85	688	0.89	718	0.92	749	0.96	778	1.01	806	1.06	833	1.11	858	1.16
2500	616	0.85	645	0.88	676	0.91	706	0.95	736	0.99	765	1.03	794	1.08	821	1.13	847	1.18	871	1.23
2600	636	0.91	665	0.94	695	0.98	724	1.02	754	1.06	782	1.1	809	1.15	836	1.2	861	1.25	885	1.3
2700	657	0.97	685	1.01	714	1.04	743	1.08	771	1.13	799	1.17	826	1.22	851	1.27	875	1.32	899	1.37
2800	677	1.03	706	1.07	734	1.11	762	1.16	790	1.2	816	1.25	842	1.3	867	1.35	890	1.4	913	1.45
2900	698	1.1	726	1.14	754	1.19	781	1.23	808	1.28	834	1.33	859	1.38	883	1.43	906	1.48	928	1.54

Air Volume (cfm)	External Static (in.w.g.)																			
	1.1		1.2		1.3		1.4		1.5		1.6		1.7		1.8		1.9		2.0	
	RPM	BHP	RPM	BHP	RPM	BHP	RPM	BHP	RPM	BHP	RPM	BHP	RPM	BHP	RPM	BHP	RPM	BHP	RPM	BHP
1900	830	0.91	857	0.95	883	0.99	910	1.04	937	1.09	964	1.13	991	1.18	1017	1.23	1042	1.28	1067	1.34
2000	839	0.96	865	1	891	1.05	917	1.09	944	1.14	970	1.19	996	1.24	1022	1.29	1047	1.34	1071	1.4
2100	849	1.02	874	1.06	900	1.11	926	1.15	952	1.2	978	1.25	1003	1.3	1028	1.35	1052	1.41	1075	1.46
2200	860	1.08	885	1.12	910	1.17	935	1.21	960	1.26	986	1.31	1010	1.36	1034	1.42	1058	1.48	1081	1.53
2300	871	1.14	895	1.19	920	1.23	945	1.28	969	1.33	994	1.38	1018	1.43	1042	1.49	1065	1.55	1087	1.61
2400	883	1.21	907	1.25	931	1.3	955	1.35	979	1.4	1003	1.45	1027	1.51	1050	1.57	1072	1.63	1094	1.69
2500	895	1.28	919	1.32	942	1.37	966	1.42	990	1.48	1013	1.53	1036	1.59	1059	1.65	1081	1.71	1102	1.78
2600	908	1.35	931	1.4	955	1.45	978	1.5	1001	1.56	1024	1.62	1046	1.68	1068	1.74	1089	1.8	1110	1.87
2700	922	1.43	945	1.48	967	1.53	990	1.59	1013	1.65	1035	1.71	1056	1.77	1078	1.84	1099	1.9	1119	1.96
2800	936	1.51	958	1.56	980	1.62	1003	1.68	1025	1.74	1046	1.8	1067	1.87	1088	1.93	1109	2	1129	2.06
2900	950	1.6	972	1.66	994	1.72	1016	1.78	1037	1.84	1058	1.91	1079	1.97	1099	2.04	1119	2.11	1139	2.17



**BLOWER DATA**

**BELT DRIVE (SINGLE AND TWO-SPEED)- 7.5 TON (DOWNFLOW)**

KCB090S4B | KCB090S4T

**BLOWER TABLE INCLUDES RESISTANCE FOR BASE UNIT ONLY WITH DRY INDOOR COIL AND AIR FILTERS IN PLACE.**

FOR ALL UNITS ADD:

- 1 - Any factory installed options air resistance (heat section, economizer, etc.).
- 2 - Any field installed accessories air resistance (duct resistance, diffuser, etc.).

See page 41 for blower motors and drives and wet coil and options/accessory air resistance data.

Air Volume (cfm)	External Static (in.w.g.)																			
	0.10		0.20		0.30		0.40		0.50		0.60		0.70		0.80		0.9		1.0	
	RPM	BHP	RPM	BHP	RPM	BHP	RPM	BHP	RPM	BHP	RPM	BHP	RPM	BHP	RPM	BHP	RPM	BHP	RPM	BHP
2400	553	0.65	585	0.71	617	0.78	649	0.85	680	0.91	711	0.98	740	1.04	769	1.10	796	1.15	821	1.21
2500	570	0.71	602	0.78	633	0.84	665	0.91	695	0.97	725	1.04	753	1.10	781	1.16	807	1.22	832	1.27
2600	588	0.77	619	0.84	650	0.91	680	0.97	710	1.04	739	1.10	767	1.16	793	1.22	818	1.28	842	1.33
2700	607	0.84	637	0.91	667	0.97	697	1.04	726	1.11	753	1.17	780	1.23	806	1.29	830	1.35	854	1.40
2800	626	0.91	655	0.97	684	1.04	713	1.11	741	1.18	768	1.24	794	1.30	819	1.36	842	1.42	866	1.47
2900	646	0.98	674	1.05	702	1.11	730	1.18	757	1.25	783	1.32	808	1.38	832	1.44	855	1.49	878	1.54
3000	666	1.06	693	1.12	721	1.19	747	1.26	774	1.33	799	1.40	823	1.46	846	1.52	868	1.57	891	1.62
3100	686	1.14	713	1.21	739	1.28	765	1.35	790	1.41	814	1.48	838	1.55	860	1.61	882	1.66	904	1.70
3200	707	1.22	732	1.29	758	1.36	783	1.43	807	1.50	830	1.57	853	1.64	874	1.70	896	1.75	918	1.79
3300	727	1.31	752	1.38	776	1.46	800	1.53	823	1.60	846	1.67	868	1.73	889	1.79	911	1.84	932	1.89
3400	747	1.41	771	1.48	794	1.55	817	1.63	840	1.70	862	1.77	883	1.83	904	1.89	925	1.94	947	1.98
3500	767	1.51	790	1.58	812	1.66	835	1.73	856	1.80	878	1.87	899	1.93	920	1.99	940	2.04	961	2.08
3600	786	1.61	808	1.69	830	1.77	852	1.84	873	1.91	894	1.98	915	2.04	935	2.09	955	2.14	975	2.19

Air Volume (cfm)	External Static (in.w.g.)																			
	1.1		1.2		1.3		1.4		1.5		1.6		1.7		1.8		1.9		2.0	
	RPM	BHP	RPM	BHP	RPM	BHP	RPM	BHP	RPM	BHP	RPM	BHP	RPM	BHP	RPM	BHP	RPM	BHP	RPM	BHP
2400	846	1.25	870	1.29	895	1.33	920	1.37	947	1.41	972	1.45	996	1.50	1018	1.55	1039	1.61	1059	1.67
2500	856	1.31	880	1.35	905	1.39	930	1.43	956	1.47	980	1.52	1003	1.57	1024	1.63	1044	1.69	1064	1.76
2600	866	1.38	891	1.42	915	1.46	940	1.50	965	1.54	988	1.59	1010	1.65	1031	1.71	1050	1.78	1069	1.84
2700	878	1.44	902	1.48	926	1.52	950	1.57	974	1.61	997	1.67	1018	1.73	1037	1.80	1056	1.87	1075	1.93
2800	889	1.51	913	1.55	937	1.59	961	1.64	984	1.69	1006	1.75	1026	1.82	1044	1.89	1063	1.96	1081	2.03
2900	902	1.58	925	1.63	949	1.67	972	1.72	994	1.78	1015	1.84	1034	1.91	1052	1.99	1069	2.06	1087	2.13
3000	914	1.66	938	1.71	961	1.75	983	1.81	1004	1.87	1024	1.94	1042	2.01	1059	2.09	1076	2.16	1093	2.23
3100	927	1.75	950	1.79	972	1.84	994	1.90	1014	1.96	1033	2.04	1050	2.11	1067	2.19	1083	2.27	1100	2.34
3200	941	1.84	963	1.88	984	1.94	1005	2.00	1024	2.07	1042	2.14	1059	2.23	1075	2.31	1091	2.39	1107	2.46
3300	954	1.93	976	1.98	996	2.04	1016	2.10	1035	2.18	1052	2.26	1067	2.35	1083	2.43	1098	2.51	1114	2.59
3400	968	2.03	989	2.08	1008	2.14	1027	2.22	1045	2.30	1061	2.38	1076	2.47	1091	2.57	1106	2.65	1121	2.73
3500	982	2.13	1001	2.19	1020	2.26	1038	2.33	1054	2.42	1070	2.51	1084	2.61	1099	2.71	1113	2.79	1128	2.87
3600	995	2.24	1014	2.30	1031	2.38	1048	2.46	1064	2.55	1079	2.65	1093	2.76	1107	2.86	1121	2.95	1136	3.03

**BLOWER DATA**

**BELT DRIVE (SINGLE AND TWO-SPEED)- 7.5 TON (HORIZONTAL)**

KCB090S4B | KCB090S4T

**BLOWER TABLE INCLUDES RESISTANCE FOR BASE UNIT ONLY WITH DRY INDOOR COIL AND AIR FILTERS IN PLACE.**

FOR ALL UNITS ADD:

1 - Any factory installed options air resistance (heat section, economizer, etc.).

2 - Any field installed accessories air resistance (duct resistance, diffuser, etc.).

See page 41 for blower motors and drives and wet coil and options/accessory air resistance data.

Air Volume (cfm)	External Static (in.w.g.)																			
	0.10		0.20		0.30		0.40		0.50		0.60		0.70		0.80		0.9		1.0	
	RPM	BHP	RPM	BHP	RPM	BHP	RPM	BHP	RPM	BHP	RPM	BHP	RPM	BHP	RPM	BHP	RPM	BHP	RPM	BHP
2400	596	0.79	626	0.82	657	0.85	688	0.89	718	0.92	749	0.96	778	1.01	806	1.06	833	1.11	858	1.16
2500	616	0.85	645	0.88	676	0.91	706	0.95	736	0.99	765	1.03	794	1.08	821	1.13	847	1.18	871	1.23
2600	636	0.91	665	0.94	695	0.98	724	1.02	754	1.06	782	1.10	809	1.15	836	1.20	861	1.25	885	1.30
2700	657	0.97	685	1.01	714	1.04	743	1.08	771	1.13	799	1.17	826	1.22	851	1.27	875	1.32	899	1.37
2800	677	1.03	706	1.07	734	1.11	762	1.16	790	1.20	816	1.25	842	1.30	867	1.35	890	1.40	913	1.45
2900	698	1.10	726	1.14	754	1.19	781	1.23	808	1.28	834	1.33	859	1.38	883	1.43	906	1.48	928	1.54
3000	720	1.17	747	1.22	774	1.26	801	1.31	826	1.36	851	1.41	876	1.46	899	1.52	921	1.57	943	1.63
3100	741	1.25	768	1.30	794	1.35	820	1.40	845	1.45	869	1.50	893	1.56	915	1.61	937	1.67	959	1.73
3200	763	1.34	789	1.39	815	1.44	840	1.49	864	1.54	888	1.60	910	1.66	932	1.72	954	1.78	975	1.84
3300	785	1.43	811	1.48	836	1.53	860	1.59	883	1.65	906	1.71	928	1.77	950	1.83	970	1.90	991	1.96
3400	807	1.53	832	1.58	856	1.64	880	1.70	903	1.76	925	1.82	946	1.88	967	1.95	987	2.02	1007	2.09
3500	830	1.63	854	1.69	877	1.75	900	1.81	922	1.88	944	1.94	964	2.01	985	2.08	1004	2.15	1024	2.23
3600	852	1.74	876	1.81	898	1.87	921	1.94	942	2.01	963	2.07	983	2.15	1002	2.22	1022	2.29	1041	2.37

Air Volume (cfm)	External Static (in.w.g.)																			
	1.1		1.2		1.3		1.4		1.5		1.6		1.7		1.8		1.9		2.0	
	RPM	BHP	RPM	BHP	RPM	BHP	RPM	BHP	RPM	BHP	RPM	BHP	RPM	BHP	RPM	BHP	RPM	BHP	RPM	BHP
2400	883	1.21	907	1.25	931	1.30	955	1.35	979	1.40	1003	1.45	1027	1.51	1050	1.57	1072	1.63	1094	1.69
2500	895	1.28	919	1.32	942	1.37	966	1.42	990	1.48	1013	1.53	1036	1.59	1059	1.65	1081	1.71	1102	1.78
2600	908	1.35	931	1.40	955	1.45	978	1.50	1001	1.56	1024	1.62	1046	1.68	1068	1.74	1089	1.80	1110	1.87
2700	922	1.43	945	1.48	967	1.53	990	1.59	1013	1.65	1035	1.71	1056	1.77	1078	1.84	1099	1.90	1119	1.96
2800	936	1.51	958	1.56	980	1.62	1003	1.68	1025	1.74	1046	1.80	1067	1.87	1088	1.93	1109	2.00	1129	2.06
2900	950	1.60	972	1.66	994	1.72	1016	1.78	1037	1.84	1058	1.91	1079	1.97	1099	2.04	1119	2.11	1139	2.17
3000	965	1.69	986	1.76	1008	1.82	1029	1.88	1050	1.95	1070	2.02	1091	2.08	1110	2.15	1130	2.22	1149	2.28
3100	980	1.80	1001	1.86	1022	1.93	1043	2.00	1063	2.07	1083	2.13	1103	2.20	1122	2.27	1141	2.33	1160	2.40
3200	995	1.91	1016	1.98	1036	2.05	1057	2.12	1077	2.19	1096	2.26	1116	2.33	1134	2.39	1153	2.46	1171	2.52
3300	1011	2.03	1031	2.11	1051	2.18	1071	2.25	1091	2.32	1110	2.39	1129	2.45	1147	2.52	1165	2.59	1183	2.65
3400	1027	2.16	1047	2.24	1067	2.31	1086	2.38	1105	2.45	1124	2.52	1142	2.59	1160	2.66	1178	2.72	1196	2.78
3500	1043	2.30	1063	2.38	1082	2.45	1101	2.52	1120	2.59	1138	2.66	1156	2.73	1174	2.80	1191	2.86	1208	2.92
3600	1060	2.45	1079	2.52	1098	2.60	1117	2.67	1135	2.74	1153	2.81	1170	2.87	1188	2.94	1205	3.00	1222	3.06

## BLOWER DATA

### BELT DRIVE KIT SPECIFICATIONS - 036-074S

Model No.	Motor HP		No. of Speeds	Drive Kits and RPM Range							
	Nominal	Maximum		A01	A02	A03	A04	A05	A06	A07	A08
036	0.75	0.86	1	673-1010	---	---	---	897-1346	---	---	---
	1	1.15	1	673-1010	---	---	---	897-1346	---	---	---
	1.5	1.7	1	673-1010	---	---	---	897-1346	---	---	---
	2	2.3	1	673-1010	---	---	---	897-1346	---	---	---
048	0.75	0.86	1	---	745-1117	---	---	---	1071-1429	---	---
	1	1.15	1	---	745-1117	---	---	---	1071-1429	---	---
	1.5	1.7	1	---	745-1117	---	---	---	1071-1429	---	---
	2	2.3	1	---	745-1117	---	---	---	1071-1429	---	---
060	0.75	0.86	1	---	---	833-1250	---	---	---	1212-1548	---
	1	1.15	1	---	---	833-1250	---	---	---	1212-1548	---
	1.5	1.7	1	---	---	833-1250	---	---	---	1212-1548	---
	2	2.3	1	---	---	833-1250	---	---	---	1212-1548	---
074S	1	1.5	2	---	---	---	968-1340	---	---	---	1193-1591
	2	2.3	2	---	---	---	968-1340	---	---	---	1193-1591

NOTE - Using total air volume and system static pressure requirements determine from blower performance tables rpm and motor hp required. Maximum usable hp of motors furnished are shown. In Canada, nominal motor hp is also maximum usable motor hp. If motors of comparable hp are used, be sure to keep within the service factor limitations outlined on the motor nameplate.

### BELT DRIVE KIT SPECIFICATIONS - 072H/074H/090S

Model No.	Motor HP		No. of Speeds	Drive Kits and RPM Range			
	Nominal	Maximum		AA01	AA02	AA03	AA04
072H	1	1.15	1	522-784	632-875	798-1105	798-1105
	2	2.3	1	522-784	632-875	798-1105	798-1105
074H	1	1.15	2	522-784	632-875	798-1105	798-1105
	2	2.3	2	522-784	632-875	798-1105	798-1105
090S4B	1	1.15	1	522-784	632-875	798-1105	---
	2	2.3	1	522-784	632-875	798-1105	---
	3	3.45	1	522-784	632-875	798-1105	921-1228
090S4T	2	2.3	2	522-784	632-875	798-1105	---

NOTE - Using total air volume and system static pressure requirements determine from blower performance tables rpm and motor hp required. Maximum usable hp of motors furnished are shown. In Canada, nominal motor hp is also maximum usable motor hp. If motors of comparable hp are used, be sure to keep within the service factor limitations outlined on the motor nameplate.

### OPTIONS / ACCESSORIES AIR RESISTANCE FOR 024-074 MODELS - in. w.g.

Air Volume cfm	Wet Indoor Coil			Dehumidification Coil		Economizer	Electric Heat	Filters	
	024-048	060	072/074	024-048	060, 074			MERV 8	MERV 13
800	0.01	0.01	0.01	0.00	0.00	0.04	0.01	0.04	0.05
1000	0.02	0.02	0.01	0.00	0.00	0.04	0.03	0.04	0.07
1200	0.03	0.04	0.02	0.01	0.00	0.04	0.06	0.04	0.07
1400	0.04	0.05	0.03	0.02	0.01	0.04	0.09	0.04	0.07
1600	0.05	0.06	0.04	0.03	0.02	0.04	0.12	0.04	0.07
1800	0.06	0.07	0.05	0.04	0.02	0.05	0.15	0.05	0.07
2000	0.08	0.09	0.06	0.04	0.03	0.05	0.18	0.05	0.08
2200	0.09	0.10	0.07	---	0.04	0.05	0.20	0.05	0.08
2400	0.10	0.12	0.08	---	0.04	0.05	0.22	0.05	0.08
2600	0.11	0.13	0.09	---	0.05	0.06	0.24	0.05	0.08
2800	0.13	0.15	0.10	---	0.05	0.06	0.26	0.05	0.08
3000	0.14	0.16	0.12	---	0.06	0.06	0.28	0.05	0.08

### OPTIONS / ACCESSORIES AIR RESISTANCE FOR 090 MODELS - in. w.g.

Air Volume cfm	Wet Indoor Coil	Dehumidification Coil	Economizer	Electric Heat	Filters	
					MERV 8	MERV 13
2400	0.08	0.04	0.05	0.22	0.05	0.08
2600	0.09	0.05	0.06	0.24	0.05	0.08
2800	0.10	0.05	0.06	0.26	0.05	0.08
3000	0.11	0.06	0.06	0.28	0.05	0.08
3200	0.12	0.06	0.06	0.30	0.06	0.09
3400	0.14	0.07	0.06	0.32	0.06	0.09
3600	0.15	0.07	0.06	0.34	0.06	0.10

## BLOWER DATA

### CEILING DIFFUSERS AIR RESISTANCE (in. w.g.)

Air Volume cfm	RTD9-65S Step-Down Diffuser			FD9-65S Flush Diffuser	RTD11-95S Step-Down Diffuser			FD11-95S Flush Diffuser
	2 Ends Open	1 Side & 2 Ends Open	All Ends & Sides Open		2 Ends Open	1 Side & 2 Ends Open	All Ends & Sides Open	
800	0.15	0.13	0.11	0.11	---	---	---	---
1000	0.19	0.16	0.14	0.14	---	---	---	---
1200	0.25	0.20	0.17	0.17	---	---	---	---
1400	0.33	0.26	0.20	0.20	---	---	---	---
1600	0.43	0.32	0.20	0.24	---	---	---	---
1800	0.56	0.40	0.30	0.30	0.13	0.11	0.09	0.09
2000	0.73	0.50	0.36	0.36	0.15	0.13	0.11	0.10
2200	0.95	0.63	0.44	0.44	0.18	0.15	0.12	0.12
2400	---	----	---	---	0.21	0.18	0.15	0.14
2600	---	----	---	---	0.24	0.21	0.18	0.17
2800	---	----	---	---	0.27	0.24	0.21	0.20
3000	---	----	---	---	0.32	0.29	0.25	0.25
3200	---	----	---	---	0.41	0.37	0.32	0.31
3400	---	----	---	---	0.50	0.45	0.39	0.37
3600	---	----	---	---	0.61	0.54	0.48	0.44

### CEILING DIFFUSER AIR THROW DATA

Air Volume - cfm	<sup>1</sup> Effective Throw - ft.	
	Model No.	Model No.
	<b>RTD9-65S</b>	<b>FD9-65S</b>
800	10 - 17	14 - 18
1000	10 - 17	15 - 20
1200	11 - 18	16 - 22
1400	12 - 19	17 - 24
1600	12 - 20	18 - 25
1800	13 - 21	20 - 28
2000	14 - 23	21 - 29
2200	16 - 25	22 - 30
	<b>RTD11-95S</b>	<b>FD11-95S</b>
2600	24 - 29	19 - 24
2800	25 - 30	20 - 28
3000	27 - 33	21 - 29
3200	28 - 35	22 - 29
3400	30 - 37	22 - 30
3600	25 - 33	22 - 24

### POWER EXHAUST FAN PERFORMANCE

Return Air System Static Pressure - in. w.g.	Air Volume Exhausted cfm
0.00	2000
0.05	1990
0.10	1924
0.15	1810
0.20	1664
0.25	1507
0.30	1350
0.35	1210

<sup>1</sup> Effective throw based on terminal velocities of 75 ft. per minute.

## OUTDOOR SOUND DATA

Unit Model No.	Octave Band Sound Power Levels dBA, re 10 <sup>-12</sup> Watts - Center Frequency - Hz							<sup>1</sup> Sound Rating Number (dBA)
	125	250	500	1000	2000	4000	8000	
<b>KCB024, 030, 036, 048</b>	62	66	70	69	66	60	50	74
<b>KCB060</b>	72	75	78	77	73	68	58	83
<b>KCB072, 074, 090</b>	66	71	74	73	70	65	57	79

Note - The octave sound power data does not include tonal corrections.

<sup>1</sup> Sound Rating Number according to AHRI Standard 270-95 (includes pure tone penalty). Sound Rating Number is the overall A-Weighted Sound Power Level, (LWA), dBA (100 Hz to 10,000 Hz).

**ELECTRICAL/ELECTRIC HEAT DATA**
**DIRECT DRIVE - 2 TON | 2.5 TON**

Model No.		KCB024S4D	KCB030S4D
<sup>1</sup> Voltage - 60hz		208/230V - 1 Ph	208/230V - 1 Ph
Compressor 1	Rated Load Amps	10.9	13.5
	Locked Rotor Amps	60	73
Outdoor Fan Motors (1)	Full Load Amps (total)	1.7	1.7
Service Outlet 115V GFI (amps)		15	15
Indoor Blower Motor	Horsepower	0.25	0.25
	Type	Direct	Direct
	Full Load Amps	1.8	1.8
<sup>2</sup> Maximum Overcurrent Protection	Unit Only	25	30
<sup>3</sup> Minimum Circuit Ampacity	Unit Only	18	21

**ELECTRIC HEAT DATA**

Electric Heat Voltage			208V	240V	208V	240V
<sup>2</sup> Maximum Overcurrent Protection	Unit + Electric Heat	5 kW	25	30	30	30
		7.5 kW	40	45	40	45
		10 kW	50	60	50	60
<sup>3</sup> Minimum Circuit Ampacity	Unit + Electric Heat	5 kW	25	29	25	29
		7.5 kW	37	42	37	42
		10 kW	48	55	48	55

**ELECTRICAL ACCESSORIES**

Disconnect		Standard Access - 0-10 kW	20W15	20W15	20W15	20W15
		Hinged Access - 0-10 kW	20W21	20W21	20W21	20W21

NOTE - All units have a minimum Short Circuit Current Rating (SCCR) of 5000 amps.

<sup>1</sup> Extremes of operating range are plus and minus 10% of line voltage.

<sup>2</sup> HACR type breaker or fuse.

<sup>3</sup> Refer to National or Canadian Electrical Code manual to determine wire, fuse and disconnect size requirements.

**ELECTRICAL/ELECTRIC HEAT DATA**
**DIRECT DRIVE | 3 TON**

Model No.		KCB036S4D			
		208/230V - 1 Ph	208/230V - 3 Ph	460V - 3 Ph	575V - 3 Ph
<sup>1</sup> Voltage - 60hz					
Compressor	Rated Load Amps	15.3	8.7	4	3.6
	Locked Rotor Amps	70	70	31	27
Outdoor Fan Motor	Full Load Amps	1.7	1.7	1.1	0.7
Power Exhaust (1) 0.33 HP	Full Load Amps	2.4	2.4	1.3	1
Service Outlet 115V GFI (amps)		15	15	15	20
Indoor Blower Motor	Horsepower	0.5	0.5	0.5	0.5
	Type	Direct	Direct	Direct	Direct
	Full Load Amps	3.9	3.9	2	2
<sup>2</sup> Maximum Overcurrent Protection	Unit Only	40	25	15	15
	with (1) 0.33 HP Power Exhaust	40	25	15	15
<sup>3</sup> Minimum Circuit Ampacity	Unit Only	25	17	9	8
	with (1) 0.33 HP Power Exhaust	28	19	10	9

**ELECTRIC HEAT DATA**

Electric Heat Voltage			208V	240V	208V	240V	480V	600V
<sup>2</sup> Maximum Overcurrent Protection	Unit + Electric Heat	<b>7.5 kW</b>	40	45	25	30	15	15
		<b>15 kW</b>	80	90	45	50	30	25
<sup>3</sup> Minimum Circuit Ampacity	Unit + Electric Heat	<b>7.5 kW</b>	39	44	25	28	14	12
		<b>15 kW</b>	73	83	44	50	26	21
<sup>2</sup> Maximum Overcurrent Protection	Unit + Electric Heat + Power Exhaust	<b>7.5 kW</b>	45	50	30	35	20	15
		<b>15 kW</b>	80	90	50	60	30	25
<sup>3</sup> Minimum Circuit Ampacity	Unit + Electric Heat + Power Exhaust	<b>7.5 kW</b>	42	47	28	31	16	13
		<b>15 kW</b>	76	86	47	53	27	22

**ELECTRICAL ACCESSORIES**

Disconnect	Standard Access - 0-15 kW	20W15	20W15	20W15	20W15
	Hinged Access - 0-15 kW	20W21	20W21	20W21	20W21

NOTE - All units have a minimum Short Circuit Current Rating (SCCR) of 5000 amps.

<sup>1</sup> Extremes of operating range are plus and minus 10% of line voltage.

<sup>2</sup> HACR type breaker or fuse.

<sup>3</sup> Refer to National or Canadian Electrical Code manual to determine wire, fuse and disconnect size requirements.



**ELECTRICAL/ELECTRIC HEAT DATA**

**DIRECT DRIVE | 4 TON**

Model No.		KCB048S4D			
		208/230V - 1 Ph	208/230V - 3 Ph	460V - 3 Ph	575V - 3 Ph
<sup>1</sup> Voltage - 60hz					
Compressor	Rated Load Amps	20	11	5.5	4.7
	Locked Rotor Amps	99	86	37	34
Outdoor Fan Motor	Full Load Amps	1.7	1.7	1.1	0.7
Power Exhaust (1) 0.33 HP	Full Load Amps	2.4	2.4	1.3	1
Service Outlet 115V GFI (amps)		15	15	15	20
Indoor Blower Motor	Horsepower	0.5	0.5	0.5	0.5
	Type	Direct	Direct	Direct	Direct
	Full Load Amps	3.9	3.9	2	2
<sup>2</sup> Maximum Overcurrent Protection	Unit Only	50	30	15	15
	with (1) 0.33 HP Power Exhaust	50	30	15	15
<sup>3</sup> Minimum Circuit Ampacity	Unit Only	31	20	10	9
	with (1) 0.33 HP Power Exhaust	33	22	12	10

**ELECTRIC HEAT DATA**

Electric Heat Voltage			208V	240V	208V	240V	480V	600V
<sup>2</sup> Maximum Overcurrent Protection	Unit + Electric Heat	7.5 kW 15 kW	50 80	50 90	30 45	30 50	15 30	15 25
	Unit + Electric Heat	7.5 kW 15 kW	39 73	44 83	25 44	28 50	14 26	12 21
<sup>2</sup> Maximum Overcurrent Protection	Unit + Electric Heat + Power Exhaust	7.5 kW 15 kW	50 80	50 90	30 50	35 60	20 30	15 25
	Unit + Electric Heat + Power Exhaust	7.5 kW 15 kW	42 76	47 86	28 47	31 53	16 27	13 22

**ELECTRICAL ACCESSORIES**

Disconnect	Standard Access - 0-15 kW	20W15	20W15	20W15	20W15
	Hinged Access - 0-15 kW	20W21	20W21	20W21	20W21

NOTE - All units have a minimum Short Circuit Current Rating (SCCR) of 5000 amps.

<sup>1</sup> Extremes of operating range are plus and minus 10% of line voltage.

<sup>2</sup> HACR type breaker or fuse.

<sup>3</sup> Refer to National or Canadian Electrical Code manual to determine wire, fuse and disconnect size requirements.

**ELECTRICAL/ELECTRIC HEAT DATA**
**DIRECT DRIVE | 5 TON**

Model No.		KCB060S4D			
		208/230V - 1 Ph	208/230V - 3 Ph	460V - 3 Ph	575V - 3 Ph
<sup>1</sup> Voltage - 60hz					
Compressor	Rated Load Amps	24.4	16	7.8	5.7
	Locked Rotor Amps	144	110	52	39
Outdoor Fan Motor	Full Load Amps	1.7	1.7	0.8	0.9
Power Exhaust (1) 0.33 HP	Full Load Amps	2.4	2.4	1.3	1
Service Outlet 115V GFI (amps)		15	15	15	20
Indoor Blower Motor	Horsepower	0.75	0.75	0.75	0.75
	Type	Direct	Direct	Direct	Direct
	Full Load Amps	4.9	4.9	2.5	2.5
<sup>2</sup> Maximum Overcurrent Protection	Unit Only	60	40	20	15
	with (1) 0.33 HP Power Exhaust	60	40	20	15
<sup>3</sup> Minimum Circuit Ampacity	Unit Only	38	27	14	11
	with (1) 0.33 HP Power Exhaust	40	29	15	12

**ELECTRIC HEAT DATA**

Electric Heat Voltage			208V	240V	208V	240V	480V	600V
<sup>2</sup> Maximum Overcurrent Protection	Unit + Electric Heat	7.5 kW	60	60	40	40	20	15
		15 kW	80	90	50	60	30	25
		22.5 kW	110	125	70	80	40	35
<sup>3</sup> Minimum Circuit Ampacity	Unit + Electric Heat	7.5 kW	40	46	27	29	15	13
		15 kW	74	85	46	52	26	22
		22.5 kW	108	124	65	74	37	31
<sup>2</sup> Maximum Overcurrent Protection	Unit + Electric Heat + Power Exhaust	7.5 kW	60	60	40	40	20	15
		15 kW	80	90	50	60	30	25
		22.5 kW	125	150	70	80	40	35
<sup>3</sup> Minimum Circuit Ampacity	Unit + Electric Heat + Power Exhaust	7.5 kW	43	49	29	32	17	14
		15 kW	77	88	49	55	28	23
		22.5 kW	111	127	68	77	39	32

**ELECTRICAL ACCESSORIES**

Disconnect	Standard Access - 0-7.5 kW	20W18	20W18	20W18	20W18
		15-22.5 kW	20W19	20W18	20W18
	Hinged Access - 0-7.5 kW	20W24	20W24	20W24	20W24
		15-22.5 kW	20W25	20W24	20W24

NOTE - All units have a minimum Short Circuit Current Rating (SCCR) of 5000 amps.

<sup>1</sup> Extremes of operating range are plus and minus 10% of line voltage.

<sup>2</sup> HACR type breaker or fuse.

<sup>3</sup> Refer to National or Canadian Electrical Code manual to determine wire, fuse and disconnect size requirements.

**ELECTRICAL/ELECTRIC HEAT DATA**
**BELT DRIVE (SINGLE SPEED) | 3 TON**

Model No.		KCB036S4B							
<sup>1</sup> Voltage - 60hz		208/230V - 1 Ph		208/230V - 3 Ph		460V - 3 Ph		575V - 3 Ph	
Compressor	Rated Load Amps	15.3		8.7		4		3.6	
	Locked Rotor Amps	70		70		31		27	
Outdoor Fan Motor	Full Load Amps	1.7		1.7		1.1		0.7	
Power Exhaust (1) 0.33 HP	Full Load Amps	2.4		2.4		1.3		1	
Service Outlet 115V GFI (amps)		15		15		15		20	
Indoor Blower Motor	Horsepower	0.75	1.5	1	2	1	2	1	2
	Type	Belt	Belt	Belt	Belt	Belt	Belt	Belt	Belt
	Full Load Amps	7.6	11	4.6	7.5	2.1	3.4	1.7	2.7
<sup>2</sup> Maximum Overcurrent Protection	Unit Only	40	45	25	25	15	15	15	15
	with (1) 0.33 HP Power Exhaust	45	45	25	30	15	15	15	15
<sup>3</sup> Minimum Circuit Ampacity	Unit Only	29	32	18	21	9	10	7	8
	with (1) 0.33 HP Power Exhaust	31	35	20	23	10	11	8	9

**ELECTRIC HEAT DATA**

Electric Heat Voltage			208V	240V	208V	240V	208V	240V	208V	240V	480V	480V	600V	600V
<sup>2</sup> Maximum Overcurrent Protection	Unit + Electric Heat	7.5 kW	45	50	50	60	30	30	30	35	15	20	15	15
		15 kW	80	90	90	100	45	60	50	60	30	30	25	25
<sup>3</sup> Minimum Circuit Ampacity	Unit + Electric Heat	7.5 kW	44	49	48	53	26	29	29	32	14	16	12	13
		15 kW	78	88	82	92	45	51	49	55	26	27	21	22
<sup>2</sup> Maximum Overcurrent Protection	Unit + Electric Heat + Power Exhaust	7.5 kW	50	60	60	60	30	35	35	35	20	20	15	15
		15 kW	90	100	4 90	100	50	60	60	60	30	30	25	25
<sup>3</sup> Minimum Circuit Ampacity	Unit + Electric Heat + Power Exhaust	7.5 kW	47	52	51	56	29	32	32	35	16	18	13	14
		15 kW	81	91	85	95	48	54	52	58	27	29	22	23

**ELECTRICAL ACCESSORIES**

Disconnect	Standard Access - 0-7.5 kW	20W15	20W15	20W15	20W15	20W15
		15 kW	20W16	20W15	20W15	20W15
	Hinged Access - 0-7.5 kW	20W21	20W21	20W21	20W21	20W21
		15 kW	20W22	20W21	20W21	20W21

NOTE - All units have a minimum Short Circuit Current Rating (SCCR) of 5000 amps.

<sup>1</sup> Extremes of operating range are plus and minus 10% of line voltage.

<sup>2</sup> HACR type breaker or fuse.

<sup>3</sup> Refer to National or Canadian Electrical Code manual to determine wire, fuse and disconnect size requirements.

**ELECTRICAL/ELECTRIC HEAT DATA**
**BELT DRIVE (SINGLE SPEED) | 4 TON**

Model No.		KCB048S4B							
<sup>1</sup> Voltage - 60hz		208/230V - 1 Ph		208/230V - 3 Ph		460V - 3 Ph		575V - 3 Ph	
Compressor	Rated Load Amps	20		11		5.5		4.7	
	Locked Rotor Amps	99		86		37		34	
Outdoor Fan Motor	Full Load Amps	1.7		1.7		1.1		0.7	
Power Exhaust (1) 0.33 HP	Full Load Amps	2.4		2.4		1.3		1	
Service Outlet 115V GFI (amps)		15		15		15		20	
Indoor Blower Motor	Horsepower	0.75	1.5	1	2	1	2	1	2
	Type	Belt	Belt	Belt	Belt	Belt	Belt	Belt	Belt
	Full Load Amps	7.6	11	4.6	7.5	2.1	3.4	1.7	2.7
<sup>2</sup> Maximum Overcurrent Protection	Unit Only	50	50	30	30	15	15	15	15
	with (1) 0.33 HP Power Exhaust	50	60	30	35	15	15	15	15
<sup>3</sup> Minimum Circuit Ampacity	Unit Only	35	38	21	23	11	12	9	10
	with (1) 0.33 HP Power Exhaust	37	41	23	26	12	13	10	11

**ELECTRIC HEAT DATA**

Electric Heat Voltage			208V	240V	208V	240V	208V	240V	208V	240V	480V	480V	600V	600V
<sup>2</sup> Maximum Overcurrent Protection	Unit + Electric Heat	7.5 kW	50	50	50	60	30	30	30	35	15	20	15	15
		15 kW	80	90	90	100	45	60	50	60	30	30	25	25
<sup>3</sup> Minimum Circuit Ampacity	Unit + Electric Heat	7.5 kW	44	49	48	53	26	29	29	32	14	16	12	13
		15 kW	78	88	82	92	45	51	49	55	26	27	21	22
<sup>2</sup> Maximum Overcurrent Protection	Unit + Electric Heat + Power Exhaust	7.5 kW	50	60	60	60	30	35	35	35	20	20	15	15
		15 kW	90	100	90	100	50	60	60	60	30	30	25	25
<sup>3</sup> Minimum Circuit Ampacity	Unit + Electric Heat + Power Exhaust	7.5 kW	47	52	51	56	29	32	32	35	16	18	13	14
		15 kW	81	91	85	95	48	54	52	58	27	29	22	23

**ELECTRICAL ACCESSORIES**

Disconnect	Standard Access - 0-7.5 kW	0-7.5 kW	20W15	20W15	20W15	20W15	20W15
		15 kW	20W16	20W15	20W15	20W15	20W15
	Hinged Access - 0-7.5 kW	0-7.5 kW	20W21	20W21	20W21	20W21	20W21
		15 kW	20W22	20W21	20W21	20W21	20W21

NOTE - All units have a minimum Short Circuit Current Rating (SCCR) of 5000 amps.

<sup>1</sup> Extremes of operating range are plus and minus 10% of line voltage.

<sup>2</sup> HACR type breaker or fuse.

<sup>3</sup> Refer to National or Canadian Electrical Code manual to determine wire, fuse and disconnect size requirements.

**ELECTRICAL/ELECTRIC HEAT DATA**
**BELT DRIVE (SINGLE SPEED) | 5 TON**

Model No.		KCB060S4B							
<sup>1</sup> Voltage - 60hz		208/230V - 1 Ph		208/230V - 3 Ph		460V - 3 Ph		575V - 3 Ph	
Compressor	Rated Load Amps	24.4		16		7.8		5.7	
	Locked Rotor Amps	144.2		110		52		38.9	
Outdoor Fan Motor	Full Load Amps	1.7		1.7		0.8		0.9	
Power Exhaust (1) 0.33 HP	Full Load Amps	2.4		2.4		1.3		1	
Service Outlet 115V GFI (amps)		15		15		15		20	
Indoor Blower Motor	Horsepower	0.75	1.5	1	2	1	2	1	2
	Type	Belt	Belt	Belt	Belt	Belt	Belt	Belt	Belt
	Full Load Amps	7.6	11	4.6	7.5	2.1	3.4	1.7	2.7
<sup>2</sup> Maximum Overcurrent Protection	Unit Only	60	60	40	45	20	20	15	15
	with (1) 0.33 HP Power Exhaust	60	60	40	45	20	20	15	15
<sup>3</sup> Minimum Circuit Ampacity	Unit Only	40	44	27	30	13	14	10	11
	with (1) 0.33 HP Power Exhaust	43	46	29	32	14	16	11	12

**ELECTRIC HEAT DATA**

Electric Heat Voltage			208V	240V	208V	240V	208V	240V	208V	240V	480V	480V	600V	600V
<sup>2</sup> Maximum Overcurrent Protection	Unit + Electric Heat	7.5 kW	60	60	60	60	40	40	45	45	20	20	15	15
		15 kW	80	90	90	100	45	60	50	60	30	30	25	25
		22.5 kW	125	150	125	150	70	80	70	80	40	40	30	35
<sup>3</sup> Minimum Circuit Ampacity	Unit + Electric Heat	7.5 kW	44	49	48	53	27	29	30	32	14	16	12	13
		15 kW	78	88	82	92	45	51	49	55	26	27	21	22
		22.5 kW	112	127	116	131	65	74	69	78	37	39	30	31
<sup>2</sup> Maximum Overcurrent Protection	Unit + Electric Heat + Power Exhaust	7.5 kW	60	60	60	60	40	40	45	45	20	20	15	15
		15 kW	90	100	90	100	50	60	60	60	30	30	25	25
		22.5 kW	125	150	125	150	70	80	4 80	90	40	40	35	35
<sup>3</sup> Minimum Circuit Ampacity	Unit + Electric Heat + Power Exhaust	7.5 kW	47	52	51	56	29	32	32	35	16	18	13	14
		15 kW	81	91	85	95	48	54	52	58	27	29	22	23
		22.5 kW	115	130	119	134	68	77	72	81	39	40	31	32

**ELECTRICAL ACCESSORIES**

Disconnect	Standard Access - 0-7.5 kW	20W18	20W18	20W18	20W18	20W18
		15-22.5 kW	20W19	20W18	20W18	20W18
	Hinged Access - 0-7.5 kW	20W24	20W24	20W24	20W24	20W24
		15-22.5 kW	20W25	20W24	20W24	20W24

NOTE - All units have a minimum Short Circuit Current Rating (SCCR) of 5000 amps.

<sup>1</sup> Extremes of operating range are plus and minus 10% of line voltage.

<sup>2</sup> HACR type breaker or fuse.

<sup>3</sup> Refer to National or Canadian Electrical Code manual to determine wire, fuse and disconnect size requirements.

**ELECTRICAL/ELECTRIC HEAT DATA**
**BELT DRIVE (SINGLE SPEED) | 6 TON**

Model No.		KCB072H4B					
<sup>1</sup> Voltage - 60hz		208/230V - 3 Ph		460V - 3 Ph		575V - 3 Ph	
Compressor	Rated Load Amps	19.6		8.2		6.6	
	Locked Rotor Amps	136		66.1		55.3	
Outdoor Fan Motor	Full Load Amps	2.4		1.3		1	
Power Exhaust (1) 0.33 HP	Full Load Amps	2.4		1.3		1	
Service Outlet 115V GFI (amps)		15		15		20	
Indoor Blower Motor	Horsepower	1	2	1	2	1	2
	Type	Belt	Belt	Belt	Belt	Belt	Belt
	Full Load Amps	4.6	7.5	2.1	3.4	1.7	2.7
<sup>2</sup> Maximum Overcurrent Protection	Unit Only	45	50	20	20	15	15
	with (1) 0.33 HP Power Exhaust	50	50	20	20	15	15
<sup>3</sup> Minimum Circuit Ampacity	Unit Only	30	32	13	14	10	11
	with (1) 0.33 HP Power Exhaust	32	35	14	15	11	12

**ELECTRIC HEAT DATA**

Electric Heat Voltage			208V	240V	208V	240V	480V	480V	600V	600V
<sup>2</sup> Maximum Overcurrent Protection	Unit + Electric Heat	7.5 kW	45	45	50	50	20	20	15	15
		15 kW	45	60	50	60	30	30	25	25
		22.5 kW	70	80	70	80	40	40	30	35
		30 kW	90	100	90	100	50	50	40	40
<sup>3</sup> Minimum Circuit Ampacity	Unit + Electric Heat	7.5 kW	30	30	32	32	14	16	12	13
		15 kW	45	51	49	55	26	27	21	22
		22.5 kW	65	74	69	78	37	39	30	31
		30 kW	84	96	88	100	48	50	39	40
<sup>2</sup> Maximum Overcurrent Protection	Unit + Electric Heat + Power Exhaust	7.5 kW	50	50	50	50	20	20	15	15
		15 kW	50	60	60	60	30	30	25	25
		22.5 kW	70	80	80	90	40	40	35	35
		30 kW	90	100	100	110	50	60	40	45
<sup>3</sup> Minimum Circuit Ampacity	Unit + Electric Heat + Power Exhaust	7.5 kW	32	32	35	35	16	18	13	14
		15 kW	48	54	52	58	27	29	22	23
		22.5 kW	68	77	72	81	39	40	31	32
		30 kW	87	99	91	103	50	51	40	41

**ELECTRICAL ACCESSORIES**

Disconnect	Standard Access - 0-22.5 kW	20W18	20W18	20W18	20W18
	30 kW	20W19	20W19	20W18	20W18
	Hinged Access - 0-22.5 kW	20W24	20W24	20W24	20W24
	30 kW	20W25	20W25	20W24	20W24

NOTE - All units have a minimum Short Circuit Current Rating (SCCR) of 5000 amps.

<sup>1</sup> Extremes of operating range are plus and minus 10% of line voltage.

<sup>2</sup> HACR type breaker or fuse.

<sup>3</sup> Refer to National or Canadian Electrical Code manual to determine wire, fuse and disconnect size requirements.



**ELECTRICAL/ELECTRIC HEAT DATA      BELT DRIVE (SINGLE AND TWO SPEED) | 6 TON**

Model No.		KCB074S4B / KCB074S4T					
<sup>1</sup> Voltage - 60hz		208/230V - 3 Ph		460V - 3 Ph		575V - 3 Ph	
Compressor	Rated Load Amps	17.6		8.5		6.3	
	Locked Rotor Amps	136		66.1		55.3	
Outdoor Fan Motor	Full Load Amps	2.4		1.3		1	
Power Exhaust (1) 0.33 HP	Full Load Amps	2.4		1.3		1	
Service Outlet 115V GFI (amps)		15		15		20	
Indoor Blower Motor	Horsepower	1	2	1	2	1	2
	Type	Belt	Belt	Belt	Belt	Belt	Belt
	Full Load Amps	4.6	7.5	2.1	3.4	1.7	2.7
<sup>2</sup> Maximum Overcurrent Protection	Unit Only	45	45	20	20	15	15
	with (1) 0.33 HP Power Exhaust	45	50	20	25	15	15
<sup>3</sup> Minimum Circuit Ampacity	Unit Only	29	32	15	16	11	12
	with (1) 0.33 HP Power Exhaust	32	32	16	17	12	13

**ELECTRIC HEAT DATA**

Electric Heat Voltage			208V	240V	208V	240V	480V	480V	600V	600V
<sup>2</sup> Maximum Overcurrent Protection	Unit + Electric Heat	7.5 kW	45	45	45	45	20	20	15	15
		15 kW	45	60	50	60	30	30	25	25
		22.5 kW	70	80	70	80	40	40	30	35
		30 kW	90	100	90	100	50	50	40	40
<sup>3</sup> Minimum Circuit Ampacity	Unit + Electric Heat	7.5 kW	29	29	32	32	15	16	12	13
		15 kW	45	51	49	55	26	27	21	22
		22.5 kW	65	74	69	78	37	39	30	31
		30 kW	84	96	88	100	48	50	39	40
<sup>2</sup> Maximum Overcurrent Protection	Unit + Electric Heat + Power Exhaust	7.5 kW	45	45	50	50	20	25	15	15
		15 kW	50	60	60	60	30	30	25	25
		22.5 kW	70	80	80	90	40	40	35	35
		30 kW	90	100	100	110	50	60	40	45
<sup>3</sup> Minimum Circuit Ampacity	Unit + Electric Heat + Power Exhaust	7.5 kW	32	32	35	35	16	18	13	14
		15 kW	48	54	52	58	27	29	22	23
		22.5 kW	68	77	72	81	39	40	31	32
		30 kW	87	99	91	103	50	51	40	41

**ELECTRICAL ACCESSORIES**

Disconnect	Standard Access - 0-22.5 kW	20W18	20W18	20W18	20W18
		30 kW	20W19	20W19	20W18
	Hinged Access - 0-22.5 kW	20W24	20W24	20W24	20W24
		30 kW	20W25	20W25	20W24

NOTE - All units have a minimum Short Circuit Current Rating (SCCR) of 5000 amps.

<sup>1</sup> Extremes of operating range are plus and minus 10% of line voltage.

<sup>2</sup> HACR type breaker or fuse.

<sup>3</sup> Refer to National or Canadian Electrical Code manual to determine wire, fuse and disconnect size requirements.

**ELECTRICAL/ELECTRIC HEAT DATA**
**BELT DRIVE (TWO SPEED) | 6 TON**

Model No.		KCB074H4T					
		208/230V - 3 Ph		460V - 3 Ph		575V - 3 Ph	
<sup>1</sup> Voltage - 60hz							
Compressor	Rated Load Amps	17.6		8.5		6.3	
	Locked Rotor Amps	136		66.1		55.3	
Outdoor Fan Motor	Full Load Amps	2.4		1.3		1	
Power Exhaust (1) 0.33 HP	Full Load Amps	2.4		1.3		1	
Service Outlet 115V GFI (amps)		15		15		15	
Indoor Blower Motor	Horsepower	1	2	1	2	1	2
	Type	Belt	Belt	Belt	Belt	Belt	Belt
	Full Load Amps	4.6	7.5	2.1	3.4	1.7	2.7
<sup>2</sup> Maximum Overcurrent Protection	Unit Only	45	45	20	20	15	15
	with (1) 0.33 HP Power Exhaust	45	50	20	25	15	15
<sup>3</sup> Minimum Circuit Ampacity	Unit Only	29	32	15	16	11	12
	with (1) 0.33 HP Power Exhaust	32	35	16	17	12	13

**ELECTRIC HEAT DATA**

Electric Heat Voltage			208V	240V	208V	240V	480V	480V	600V	600V
<sup>2</sup> Maximum Overcurrent Protection	Unit + Electric Heat	7.5 kW	45	45	45	45	20	20	15	15
		15 kW	45	60	50	60	30	30	25	25
		22.5 kW	70	80	70	80	40	40	30	35
		30 kW	90	100	90	100	50	50	40	40
<sup>3</sup> Minimum Circuit Ampacity	Unit + Electric Heat	7.5 kW	29	29	32	32	15	16	12	13
		15 kW	45	51	49	55	26	27	21	22
		22.5 kW	65	74	69	78	37	39	30	31
		30 kW	84	96	88	100	48	50	39	40
<sup>2</sup> Maximum Overcurrent Protection	Unit + Electric Heat + Power Exhaust	7.5 kW	45	45	50	50	20	25	15	15
		15 kW	50	60	60	60	30	30	25	25
		22.5 kW	70	80	80	90	40	40	35	35
		30 kW	90	100	100	110	50	60	40	45
<sup>3</sup> Minimum Circuit Ampacity	Unit + Electric Heat + Power Exhaust	7.5 kW	32	32	35	35	16	18	13	14
		15 kW	48	54	52	58	27	29	22	23
		22.5 kW	68	77	72	81	39	40	31	32
		30 kW	87	99	91	103	50	51	40	41

**ELECTRICAL ACCESSORIES**

Disconnect	Standard Access - 0-22.5 kW	20W18	20W18	20W18	20W18
	30 kW	20W19	20W19	20W18	20W18
	Hinged Access - 0-22.5 kW	20W24	20W24	20W24	20W24
	30 kW	20W25	20W25	20W24	20W24

NOTE - All units have a minimum Short Circuit Current Rating (SCCR) of 5000 amps.

<sup>1</sup> Extremes of operating range are plus and minus 10% of line voltage.

<sup>2</sup> HACR type breaker or fuse.

<sup>3</sup> Refer to National or Canadian Electrical Code manual to determine wire, fuse and disconnect size requirements.

**ELECTRICAL/ELECTRIC HEAT DATA**
**BELT DRIVE (SINGLE SPEED) | 7.5 TON**

Model No.		KCB090S4B								
<sup>1</sup> Voltage - 60hz		208/230V - 3 Ph			460V - 3 Ph			575V - 3 Ph		
Compressor	Rated Load Amps	26.9			12			9		
	Locked Rotor Amps	164			94			65		
Outdoor Fan Motor	Full Load Amps	3			1.5			1.2		
Power Exhaust (1) 0.33 HP	Full Load Amps	2.4			1.3			1		
Service Outlet 115V GFI (amps)		15			15			20		
Indoor Blower Motor	Horsepower	1	2	3	1	2	3	1	2	3
	Type	Belt	Belt	Belt	Belt	Belt	Belt	Belt	Belt	Belt
	Full Load Amps	4.6	7.5	10.6	2.1	3.4	4.8	1.7	2.7	3.9
<sup>2</sup> Maximum Overcurrent Protection	Unit Only	60	70	70	30	30	30	20	20	25
	with (1) 0.33 HP Power Exhaust	70	70	70	30	30	30	20	25	25
<sup>3</sup> Minimum Circuit Ampacity	Unit Only	42	45	48	19	20	22	15	16	17
	with (1) 0.33 HP Power Exhaust	44	47	50	20	22	23	16	17	18

**ELECTRIC HEAT DATA**

Electric Heat Voltage			208V	240V	208V	240V	208V	240V	480V	480V	480V	600V	600V	600V
<sup>2</sup> Maximum Overcurrent Protection	Unit + Electric Heat	7.5 kW	60	60	70	70	70	70	30	30	30	20	20	25
		15 kW	60	60	70	70	70	70	30	30	30	25	25	25
		22.5 kW	70	80	70	80	80	90	40	40	40	30	35	35
		30 kW	90	100	90	100	100	110	50	50	60	40	40	45
<sup>3</sup> Minimum Circuit Ampacity	Unit + Electric Heat	7.5 kW	42	42	45	45	48	48	19	20	22	15	16	17
		15 kW	45	51	49	55	53	59	26	27	29	21	22	23
		22.5 kW	65	74	69	78	72	81	37	39	40	30	31	32
		30 kW	84	96	88	100	92	104	48	50	52	39	40	41
<sup>2</sup> Maximum Overcurrent Protection	Unit + Electric Heat + Power Exhaust	7.5 kW	70	70	70	70	70	70	30	30	30	20	25	25
		15 kW	70	70	70	70	70	70	30	30	35	25	25	25
		22.5 kW	70	80	80	90	80	90	40	40	45	35	35	35
		30 kW	90	100	100	110	100	110	50	60	60	40	45	45
<sup>3</sup> Minimum Circuit Ampacity	Unit + Electric Heat + Power Exhaust	7.5 kW	44	44	47	47	50	50	20	22	23	16	17	18
		15 kW	48	54	52	58	56	62	27	29	31	22	23	25
		22.5 kW	68	77	72	81	75	84	39	40	42	31	32	34
		30 kW	87	99	91	103	95	107	50	51	53	40	41	43

**ELECTRICAL ACCESSORIES**

Disconnect	Standard Access - 0-22.5 kW	20W18	20W18	20W18	20W18	20W18
		30 kW	20W19	20W19	20W19	20W18
	Hinged Access - 0-22.5 kW	20W24	20W24	20W24	20W24	20W24
		30 kW	20W25	20W25	20W25	20W24

NOTE - All units have a minimum Short Circuit Current Rating (SCCR) of 5000 amps.

<sup>1</sup> Extremes of operating range are plus and minus 10% of line voltage.

<sup>2</sup> HACR type breaker or fuse.

<sup>3</sup> Refer to National or Canadian Electrical Code manual to determine wire, fuse and disconnect size requirements.

**ELECTRICAL/ELECTRIC HEAT DATA**
**BELT DRIVE (TWO SPEED) | 7.5 TON**

Model No.		KCB090S4T		
<sup>1</sup> Voltage - 60hz		208/230V - 3 Ph	460V - 3 Ph	575V - 3 Ph
Compressor	Rated Load Amps	26.9	12	9
	Locked Rotor Amps	164	94	65
Outdoor Fan Motor	Full Load Amps	3	1.5	1.2
Power Exhaust (1) 0.33 HP	Full Load Amps	2.4	1.3	1
Service Outlet 115V GFI (amps)		15	15	20
Indoor Blower Motor	Horsepower	2	2	2
	Type	Belt	Belt	Belt
	Full Load Amps	7.5	3.4	2.7
<sup>2</sup> Maximum Overcurrent Protection	Unit Only	70	30	20
	with (1) 0.33 HP Power Exhaust	70	30	25
<sup>3</sup> Minimum Circuit Ampacity	Unit Only	45	20	16
	with (1) 0.33 HP Power Exhaust	47	22	17

**ELECTRIC HEAT DATA**

Electric Heat Voltage			208V	240V	480V	600V
<sup>2</sup> Maximum Overcurrent Protection	Unit + Electric Heat	7.5 kW	70	70	30	20
		15 kW	70	70	30	25
		22.5 kW	70	80	40	35
		30 kW	90	100	50	40
<sup>3</sup> Minimum Circuit Ampacity	Unit + Electric Heat	7.5 kW	45	45	20	16
		15 kW	49	55	27	22
		22.5 kW	69	78	39	31
		30 kW	88	100	50	40
<sup>2</sup> Maximum Overcurrent Protection	Unit + Electric Heat + Power Exhaust	7.5 kW	70	70	30	25
		15 kW	70	70	30	25
		22.5 kW	80	90	40	35
		30 kW	100	110	60	45
<sup>3</sup> Minimum Circuit Ampacity	Unit + Electric Heat + Power Exhaust	7.5 kW	47	47	22	17
		15 kW	52	58	29	23
		22.5 kW	72	81	40	32
		30 kW	91	103	51	41

**ELECTRICAL ACCESSORIES**

Disconnect	Standard Access - 0-22.5 kW	30 kW	20W18	20W18	20W18
		30 kW	20W19	20W18	20W18
Disconnect	Hinged Access - 0-22.5 kW	30 kW	20W24	20W24	20W24
		30 kW	20W25	20W24	20W24

NOTE - All units have a minimum Short Circuit Current Rating (SCCR) of 5000 amps.

<sup>1</sup> Extremes of operating range are plus and minus 10% of line voltage.

<sup>2</sup> HACR type breaker or fuse.

<sup>3</sup> Refer to National or Canadian Electrical Code manual to determine wire, fuse and disconnect size requirements.

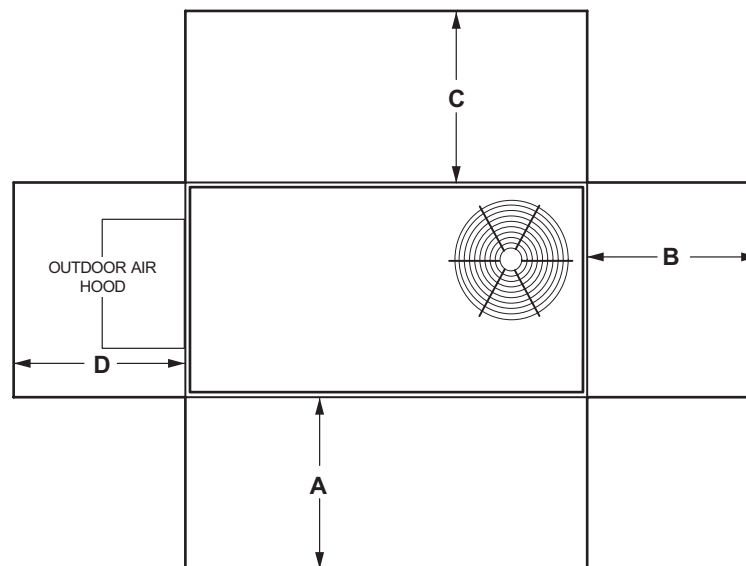
## ELECTRIC HEAT CAPACITIES

Input Voltage	5 kW			7.5 kW			10 kW		
	No of Stages	kW input	Btuh Output	No of Stages	kW input	Btuh Output	No of Stages	kW input	Btuh Output
208	1	3.8	12,800	1	5.6	19,200	1	7.5	25,600
220	1	4.2	14,300	1	6.3	21,500	1	8.4	28,700
230	1	4.6	15,700	1	6.9	23,500	1	9.2	31,400
240	1	5.0	17,100	1	7.5	25,600	1	10.0	34,200
440	---	---	---	1	6.3	21,500	---	---	---
460	---	---	---	1	6.9	23,500	---	---	---
480	---	---	---	1	7.5	25,600	---	---	---
550	---	---	---	1	6.3	21,500	---	---	---
575	---	---	---	1	6.9	23,500	---	---	---
600	---	---	---	1	7.5	25,600	---	---	---

Input Voltage	15 kW			22.5 kW			30 kW		
	No of Stages	kW input	Btuh Output	No of Stages	kW input	Btuh Output	No of Stages	kW input	Btuh Output
208	1	11.2	38,400	1	16.9	57,700	1	22.5	76,800
220	1	12.6	43,000	1	18.9	64,500	1	25.2	86,000
230	1	13.8	47,000	1	20.7	70,700	1	27.5	93,900
240	1	15.0	51,200	1	22.5	76,800	1	30.0	102,400
440	1	12.6	43,000	1	18.9	64,500	1	25.2	86,000
460	1	13.8	47,000	1	20.7	70,700	1	27.5	93,900
480	1	15.0	51,200	1	22.5	76,800	1	30.0	102,400
550	1	12.6	43,000	1	18.9	64,500	1	25.2	86,000
575	1	13.8	47,000	1	20.7	70,700	1	27.5	93,900
600	1	15.0	51,200	1	22.5	76,800	1	30.0	102,400

## UNIT CLEARANCES



<sup>1</sup> Unit Clearance	A		B		C		D		Top Clearance
	in.	mm	in.	mm	in.	mm	in.	mm	
<b>Service Clearance</b>	36	914	36	914	36	914	36	914	<b>Unobstructed</b>
<b>Minimum Operation Clearance</b>	36	914	36	914	36	914	36	914	

NOTE - Entire perimeter of unit base requires support when elevated above the mounting surface.

<sup>1</sup> Service Clearance - Required for removal of serviceable parts.

Minimum Operation Clearance - Required clearance for proper unit operation.

## WEIGHT DATA

Model Number	Outdoor Coil	Net		Shipping		Outdoor Coil	Net		Shipping	
		lbs.	kg	lbs.	kg		lbs.	kg	lbs.	kg
024S Base Unit	Eco-Last™	502	228	543	246	Fin/Tube	535	243	576	261
024S Max. Unit	Eco-Last™	606	275	647	293	Fin/Tube	666	302	707	321
030S Base Unit	Eco-Last™	505	229	546	248	Fin/Tube	538	244	579	263
030S Max. Unit	Eco-Last™	609	276	650	295	Fin/Tube	663	301	704	319
036 Base Unit	Eco-Last™	527	239	568	258	Fin/Tube	560	254	601	273
036 Max. Unit	Eco-Last™	653	296	694	315	Fin/Tube	713	323	754	342
048 Base Unit	Eco-Last™	527	239	568	258	Fin/Tube	560	254	601	273
048 Max. Unit	Eco-Last™	654	297	695	315	Fin/Tube	714	324	755	342
060 Base Unit	Eco-Last™	620	281	661	300	Fin/Tube	662	300	703	319
060 Max. Unit	Eco-Last™	750	340	791	359	Fin/Tube	819	371	860	390
072, 074 Base Unit	Eco-Last™	620	281	661	300	Fin/Tube	<sup>1</sup> 662	<sup>1</sup> 300	<sup>1</sup> 703	<sup>1</sup> 319
072, 074 Max. Unit	Eco-Last™	721	327	762	346	Fin/Tube	<sup>1</sup> 790	<sup>1</sup> 358	<sup>1</sup> 831	<sup>1</sup> 377
090 Base Unit	Eco-Last™	745	338	805	365	Fin/Tube	810	367	870	395
090 Max. Unit	Eco-Last™	851	386	920	417	Fin/Tube	943	428	1012	459

<sup>1</sup> 074S models only.

## OPTIONS / ACCESSORIES

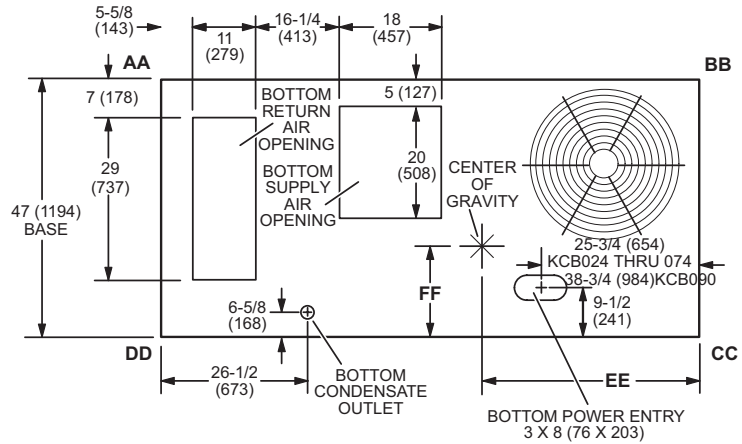
	Shipping Weights		
	lbs.	kg	
<b>ECONOMIZER / OUTDOOR AIR / power EXHAUST</b>			
<b>Economizer</b>			
Economizer, Includes Combination Outdoor Air Hood and Barometric Relief Dampers	131	59	
<b>Outdoor Air Dampers</b>			
Motorized	40	18	
Manual	30	14	
<b>Power Exhaust</b>			
Standard Static	35	16	
<b>ELECTRIC HEAT</b>			
5 kW	31	14	
7.5 kW	31	14	
10 kW	31	14	
15 kW	31	14	
22.5 kW	35	16	
30 kW	35	16	
<b>DEHUMIDIFICATION SYSTEM</b>			
Dehumidification Option (Net Weight)	27	12	
<b>ROOF CURBS</b>			
<b>Hybrid Roof Curbs, Downflow</b>			
8 in. height	50	23	
14 in. height	70	32	
18 in. height	80	36	
24 in. height	100	45	
<b>Hybrid Roof Curbs, Full Perimeter, Downflow</b>			
8 in. height	57	26	
14 in. height	60	27	
18 in. height	91	41	
24 in. height	114	52	
<b>Adjustable Pitch Curb, Downflow</b>			
14 in. height	113	51	
<b>CEILING DIFFUSERS</b>			
Step-Down	RTD9-65S	80	36
	RTD11-95S	118	54
Flush	FD9-65S	80	36
	FD11-95S	118	54
Transitions (Supply and Return)	T1TRAN10AN1	22	10
	T1TRAN20N-1	21	10

# DIMENSIONS - UNIT

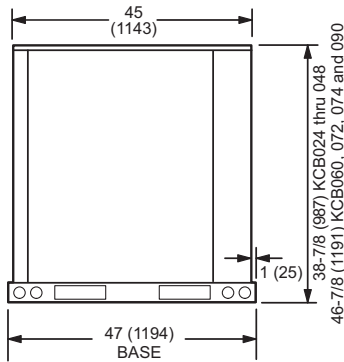
Model No.	CORNER WEIGHTS								CENTER OF GRAVITY							
	AA		BB		CC		DD		EE		FF		FF			
	Base lbs. kg	Max. lbs. kg	Base lbs. kg	Max. lbs. kg	Base lbs. kg	Max. lbs. kg	Base lbs. kg	Max. lbs. kg	Base in. mm	Max. in. mm	Base in. mm	Max. in. mm	Base in. mm	Max. in. mm		
024	101 46	122 56	118 53	125 57	152 69	161 73	131 60	197 90	39-1/2 1003	45 1143	20-1/2 521	20-1/2 521	20-1/2 521	20-1/2 521		
030	102 46	123 56	118 54	125 57	153 69	162 74	132 60	197 90	39-1/2 1003	45 1143	20-1/2 521	20-1/2 521	20-1/2 521	20-1/2 521		
036	107 48	132 60	123 56	131 60	159 72	177 80	138 62	213 97	39-1/2 1003	45 1143	20-1/2 521	20 508	20 508	20 508		
048	107 48	132 60	123 56	131 60	159 72	177 81	138 62	213 97	39-1/2 1003	45 1143	20-1/2 521	20 508	20 508	20 508		
060	118 53	142 65	140 63	152 69	197 89	205 93	166 75	251 114	39 991	44-3/4 1137	19-1/2 495	20 508	20 508	20 508		
072	118 53	142 65	140 63	152 69	197 89	205 93	166 75	251 114	39 991	44-3/4 1137	19-1/2 495	20 508	20 508	20 508		
074	118 53	142 65	140 63	152 69	197 89	205 93	166 75	251 114	39 991	44-3/4 1137	19-1/2 495	20 508	20 508	20 508		
090	164 74	187 85	179 81	203 92	221 100	252 114	203 92	231 105	47 1194	47 1194	21 533	21 533	21 533	21 533		

Base Unit - The unit with NO INTERNAL OPTIONS.

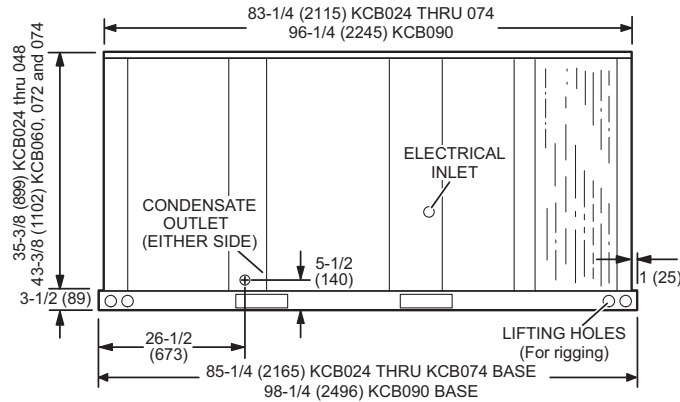
Max. Unit - The unit with ALL INTERNAL OPTIONS Installed. (Economizer, Standard Static Power Exhaust Fans, Controls, etc.). Does not include accessories external to unit or high static power exhaust.



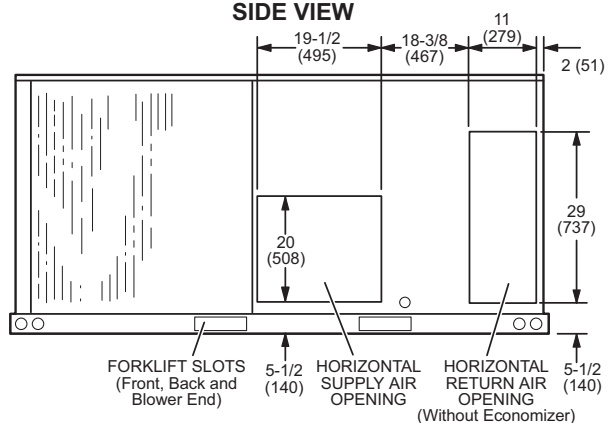
TOP VIEW (Base)



END VIEW



SIDE VIEW

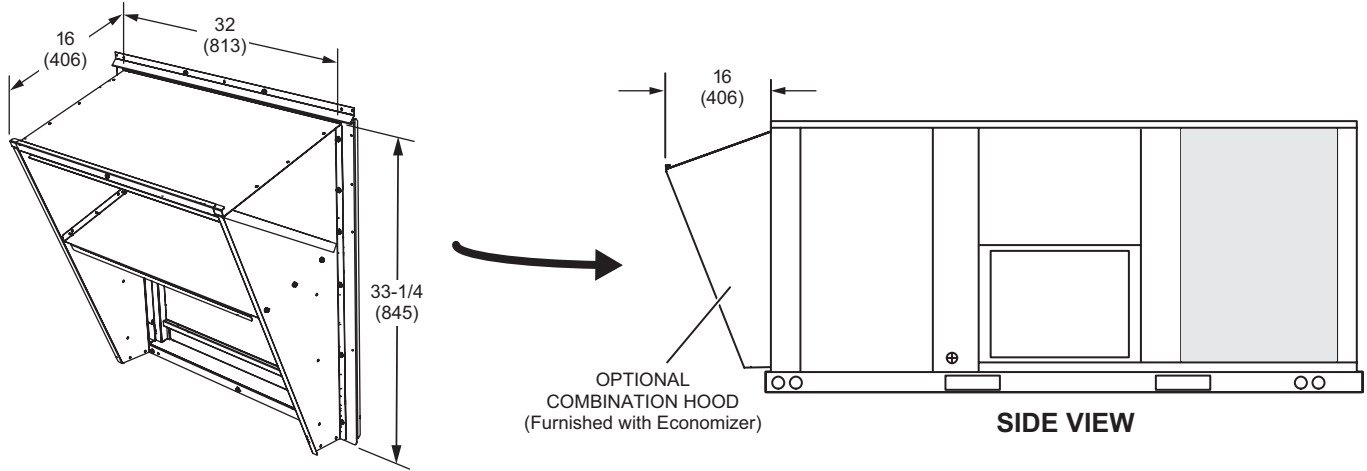


BACK VIEW

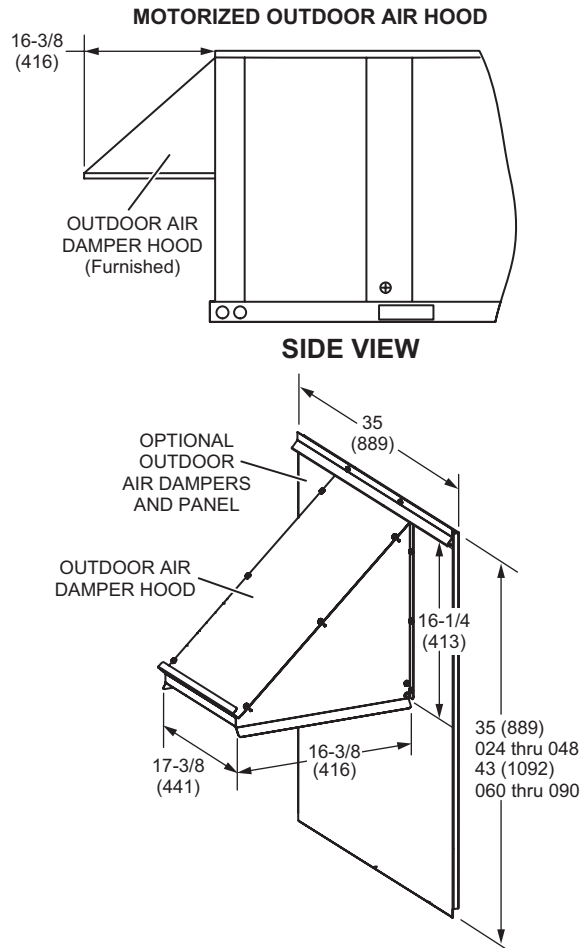
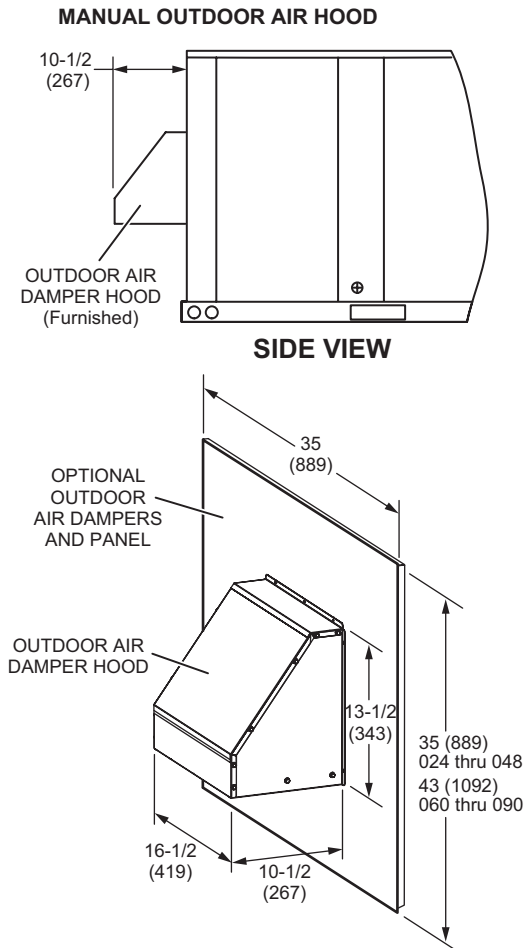


## DIMENSIONS - ACCESSORIES

### COMBINATION OUTDOOR AIR HOOD DETAIL FOR OPTIONAL ECONOMIZER AND BAROMETRIC RELIEF DAMPERS (Furnished With Economizer for Downflow Applications)

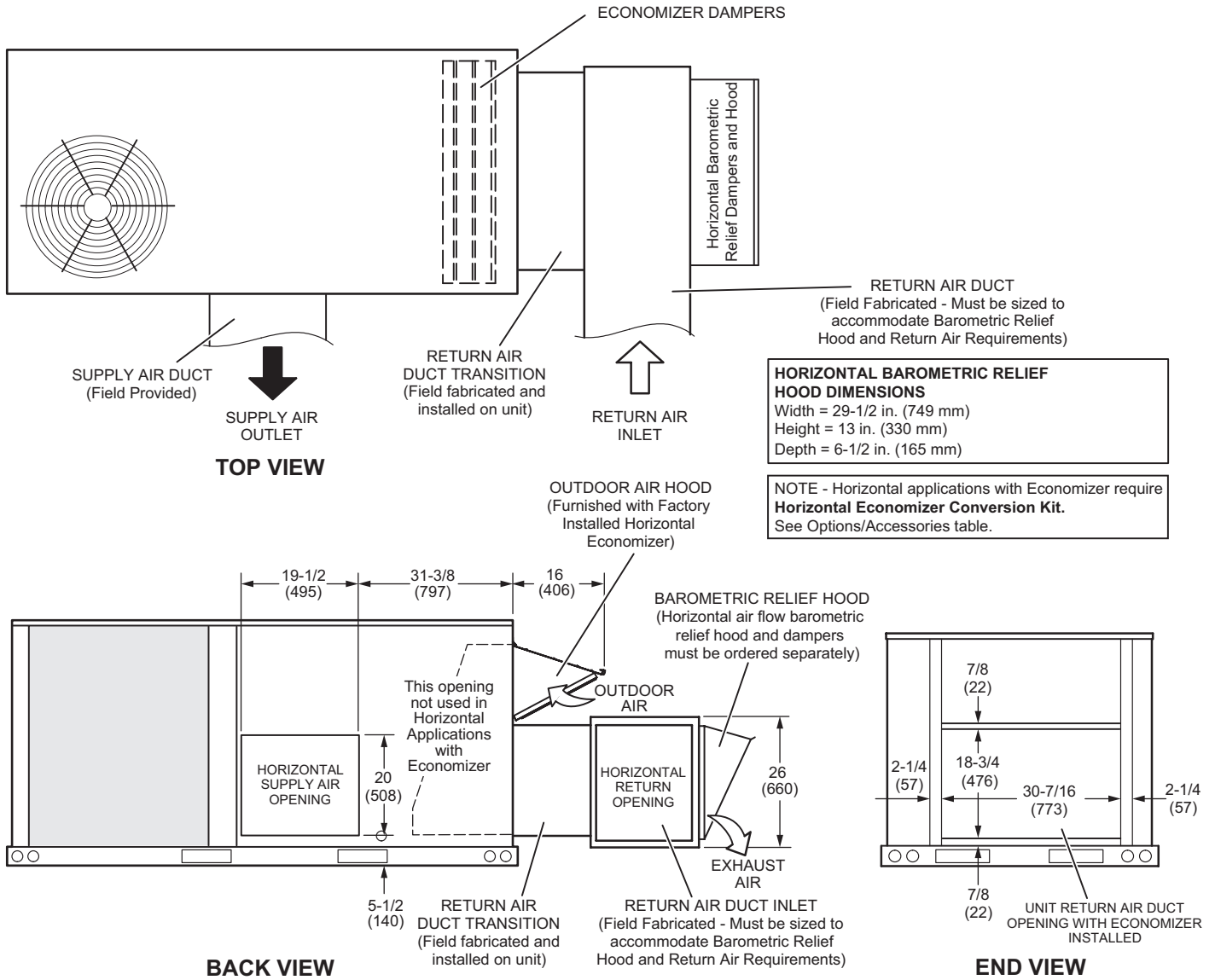


### OUTDOOR AIR DAMPER HOOD DETAIL (Downflow or Horizontal Applications)



# DIMENSIONS - ACCESSORIES

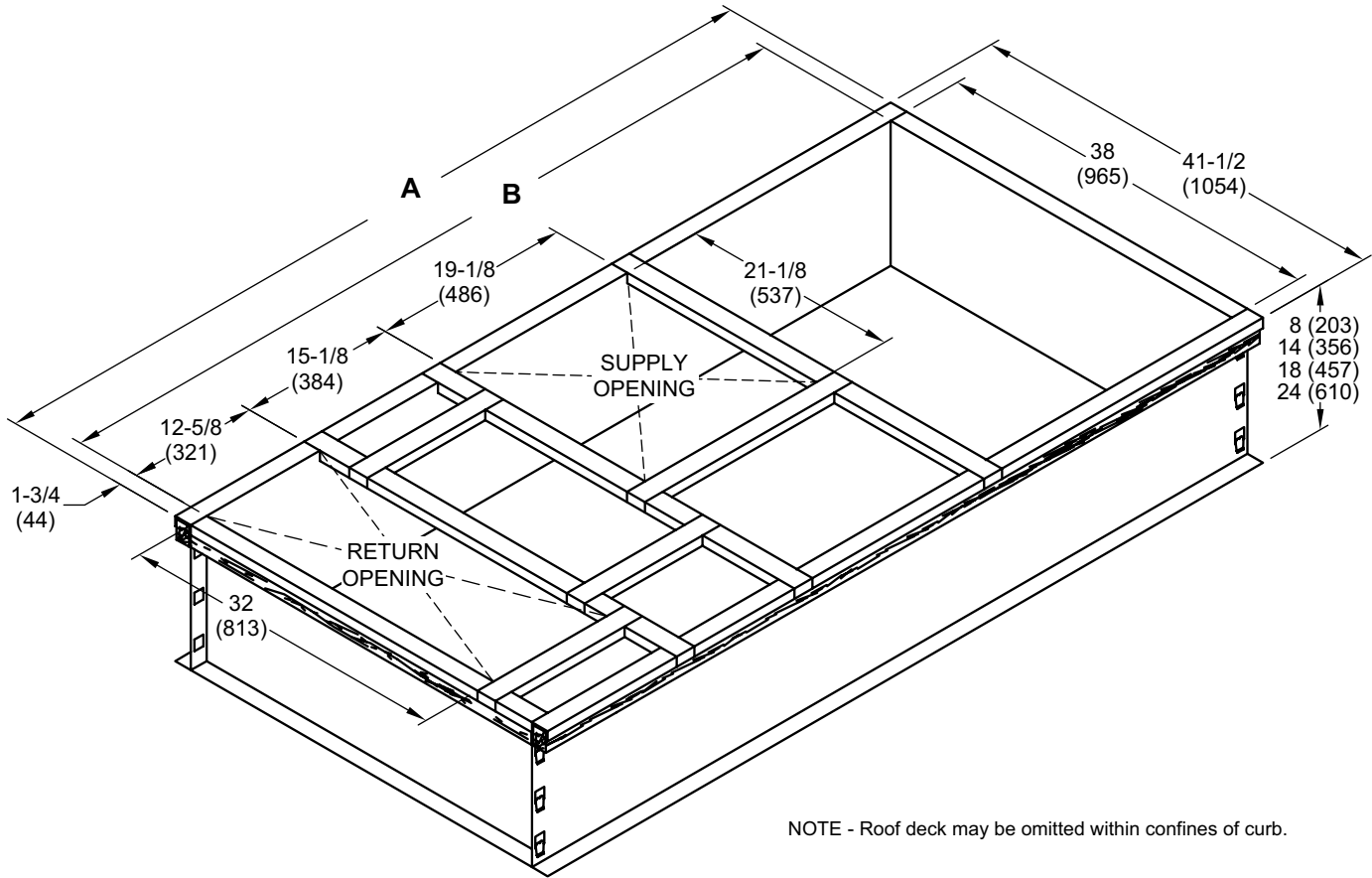
## OUTDOOR AIR HOOD DETAIL WITH OPTIONAL ECONOMIZER AND OPTIONAL BAROMETRIC RELIEF DAMPERS WITH HOOD (Horizontal Application)



**NOTE - Return Air Duct and Transition must be supported**

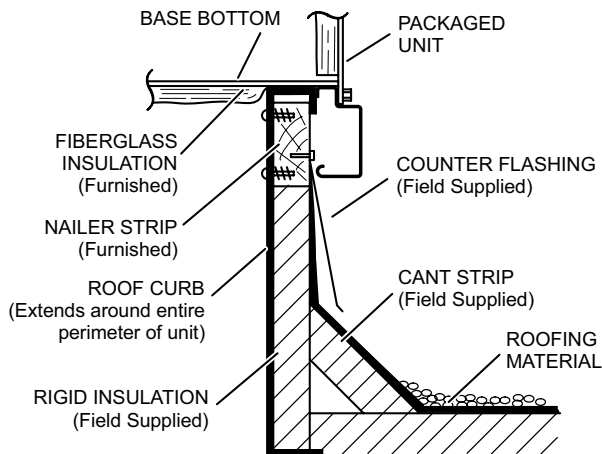
# DIMENSIONS - ACCESSORIES

## HYBRID ROOF CURBS - DOUBLE DUCT OPENING - STANDARD AND FULL PERIMETER

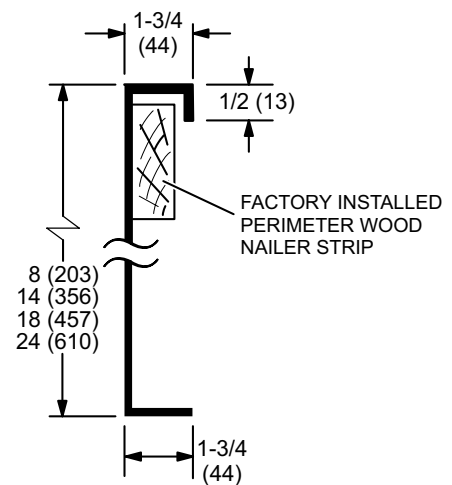


NOTE - Roof deck may be omitted within confines of curb.

### TYPICAL FLASHING DETAIL FOR ROOF CURB



### DETAIL ROOF CURB

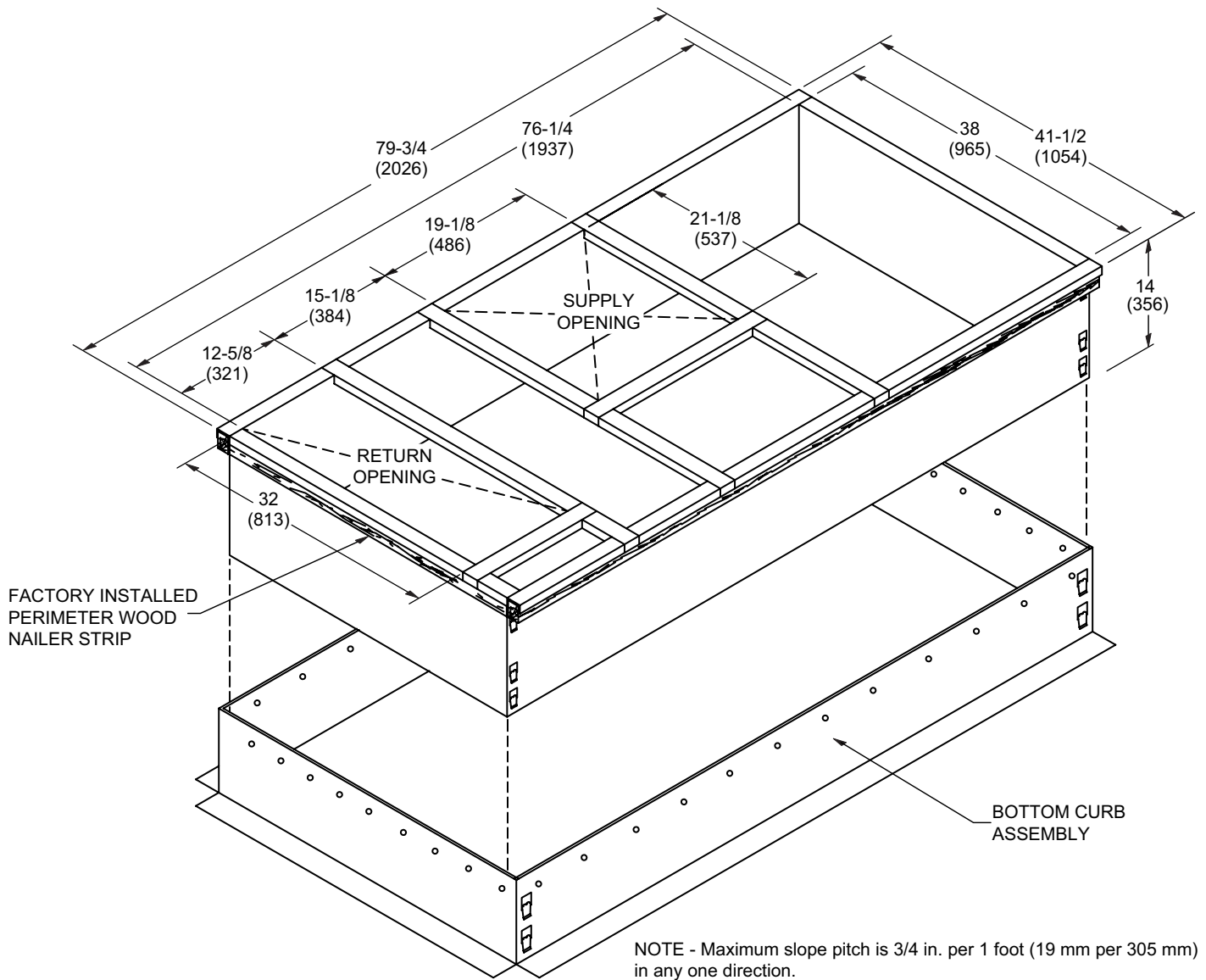


Model No.	A		B	
	in.	mm	in.	mm
Standard - 024, 030, 036, 048, 060, 072, 074 <sup>1</sup> 090	79-3/4	2026	76-1/4	1937
Full Perimeter - 090	92-3/4	2356	89-1/4	2267

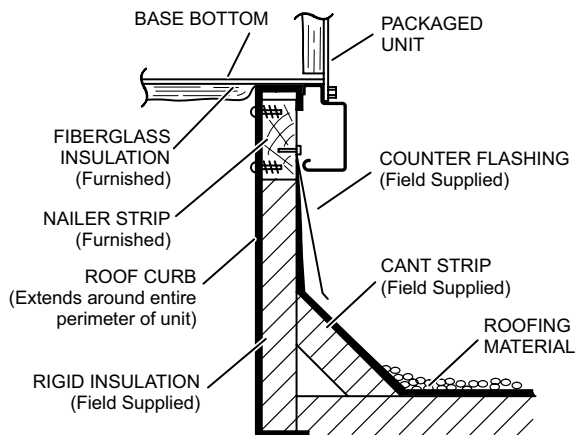
<sup>1</sup> 090 models can be used on smaller 79-3/4 in. (2026 mm) roof curbs (not full perimeter) with 15-3/4 in. (400 mm) overhang at condenser end of unit.

# DIMENSIONS - ACCESSORIES

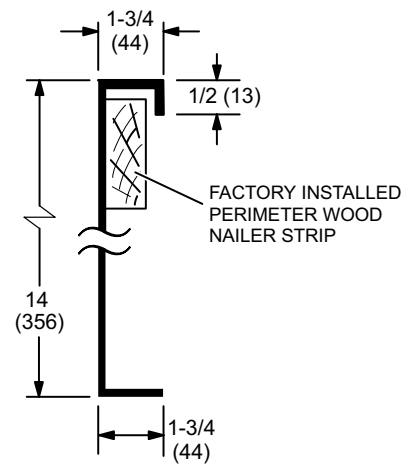
## ADJUSTABLE PITCH CURBS - DOUBLE DUCT OPENING



**TYPICAL FLASHING DETAIL FOR ROOF CURB**

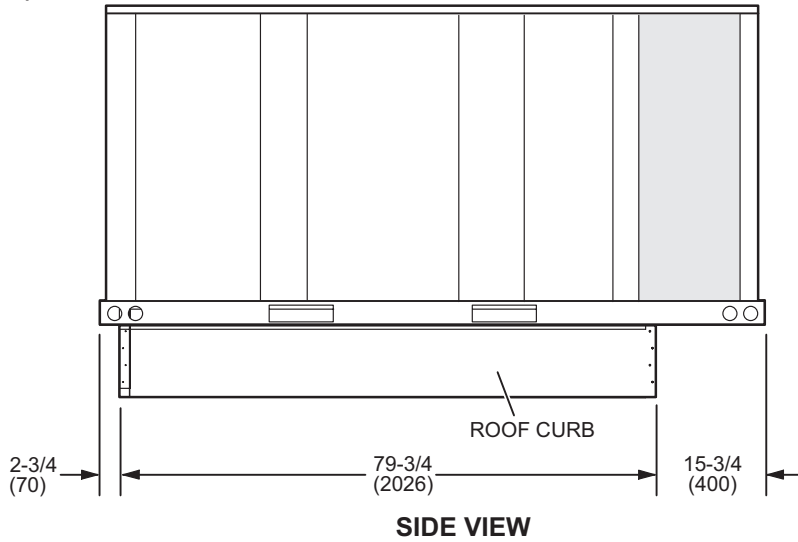


**DETAIL ROOF CURB**

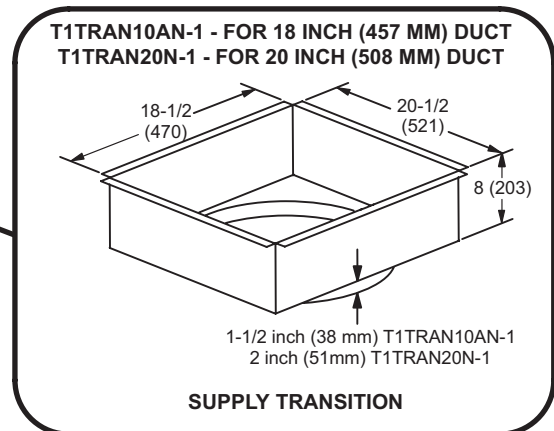
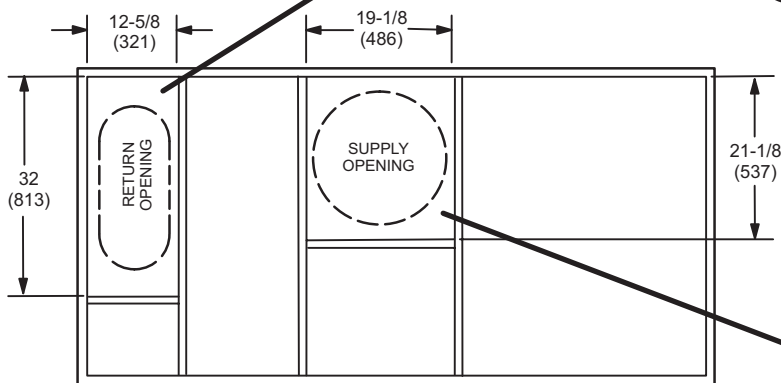
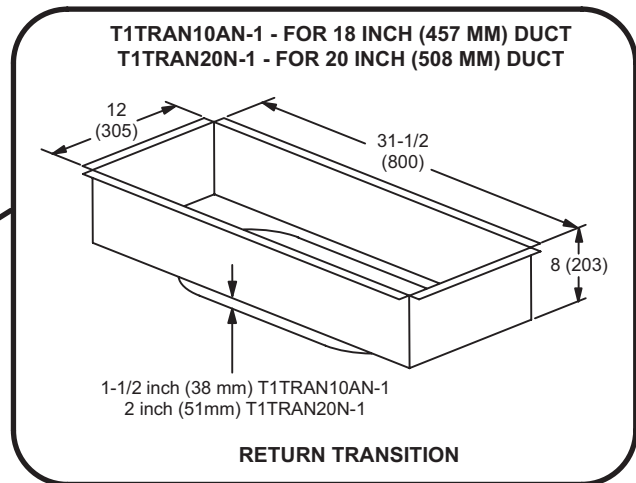


## DIMENSIONS - ACCESSORIES

090 MODELS - SHOWING OVERHANG ON SMALLER 79-3/4 INCH LENGTH ROOF CURBS  
(Not Full Perimeter)



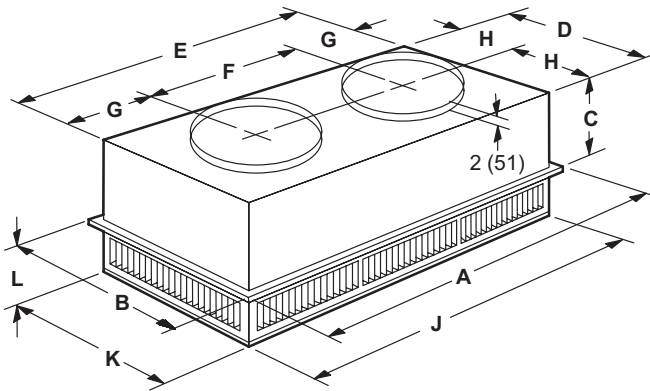
## TRANSITIONS



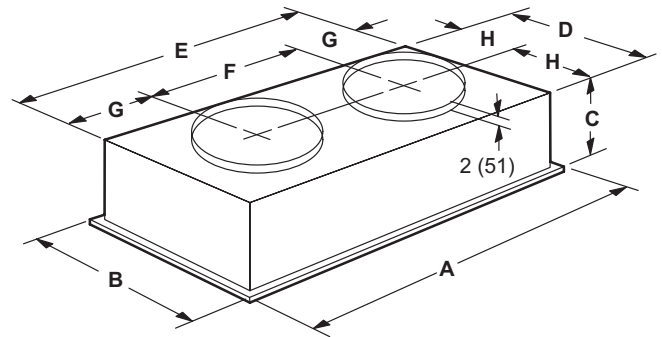
## DIMENSIONS - ACCESSORIES

### COMBINATION CEILING SUPPLY AND RETURN DIFFUSERS

#### STEP-DOWN CEILING DIFFUSER



#### FLUSH CEILING DIFFUSER



Model Number		RTD9-65S	RTD11-95S
A	in.	47-5/8	47-5/8
	mm	1159	1159
B	in.	23-5/8	29-5/8
	mm	600	752
C	in.	11-3/8	14-3/8
	mm	289	365
D	in.	21-1/2	27-1/2
	mm	546	699
E	in.	45-1/2	45-1/2
	mm	1156	1158
F	in.	22-1/2	22-1/2
	mm	572	572
G	in.	11-1/2	11-1/2
	mm	292	292
H	in.	10-3/4	13-3/4
	mm	273	349
J	in.	45-1/2	45-1/2
	mm	1156	1156
K	in.	21-1/2	27-1/2
	mm	546	699
L	in.	7-1/8	8-1/8
	mm	181	206
Duct Size	in.	18 round	20 round
	mm	457 round	508 round

Model Number		FD9-65S	FD11-95S
A	in.	47-5/8	47-5/8
	mm	1159	1159
B	in.	23-5/8	29-5/8
	mm	600	752
C	in.	13-1/2	16-5/8
	mm	343	422
D	in.	21	27
	mm	533	686
E	in.	45	45
	mm	1143	1143
F	in.	22-1/2	22-1/2
	mm	572	572
G	in.	11-1/4	11-1/4
	mm	286	286
H	in.	10-1/2	13-1/2
	mm	267	343
Duct Size	in.	18 round	20 round
	mm	457 round	508 round

## REVISIONS

Section	Description
Electrical/Electric Heat Data	Updated for 060 models.
Specifications	Refrigerant charge updated for 060 models.



**ALLIED**<sup>TM</sup>  
Commercial

Visit us at [www.allied-commercial.com](http://www.allied-commercial.com)

For the latest technical information, visit us at [www.allied-commercial.com](http://www.allied-commercial.com)

Contact us at 1-800-448-5872

NOTE - Due to Allied Commercial ongoing commitment to quality, Specifications, Ratings and Dimensions subject to change without notice and without incurring liability. Improper installation, adjustment, alteration, service or maintenance can cause property damage or personal injury. Installation and service must be performed by a qualified installer and servicing agency.