

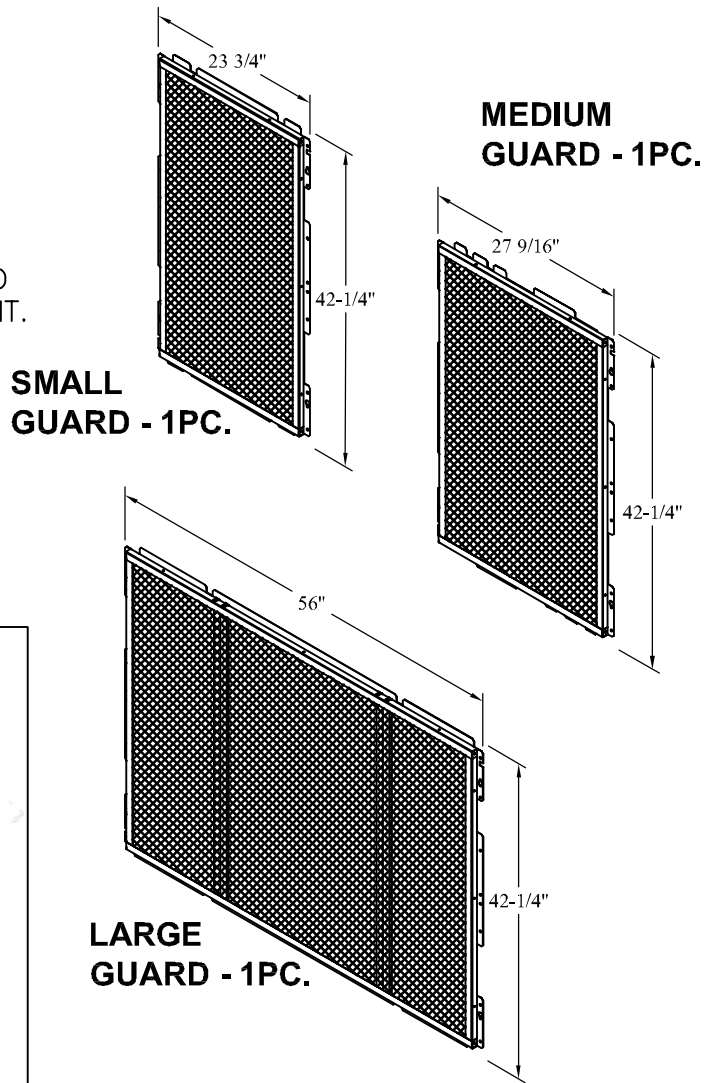
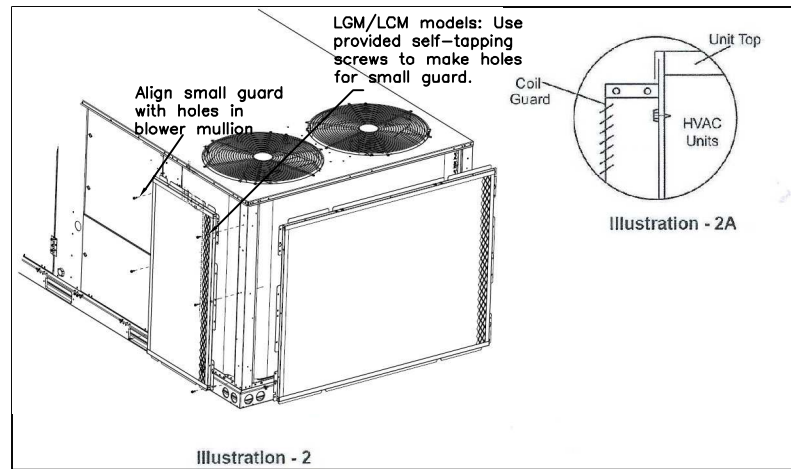


INSTALL INSTRUCTIONS FOR CONSOLIDATED COIL/HAIL GUARDS FOR LENNOX (CAT# 24C85)

CAUTION
WHEN INSTALLING COIL GUARD BE SURE
NOT TO PUNCTURE CONDENSER COIL

1. THE LCG24C85 COIL GUARDS ARE DESIGNED TO PROTECT THE CONDENSOR COIL OF THE HVAC UNIT. THE FOLLOWING ARE INCLUDED:-

- SHIPPING AND PACKING LIST
- 1- SMALL COIL GUARD
- 1- MEDIUM COIL GUARD
- 1- LARGE COIL GUARD
- 1- HARDWARE BAG W/
1- INSTRUCTIONS
- 18- #10-1/2" SCREWS



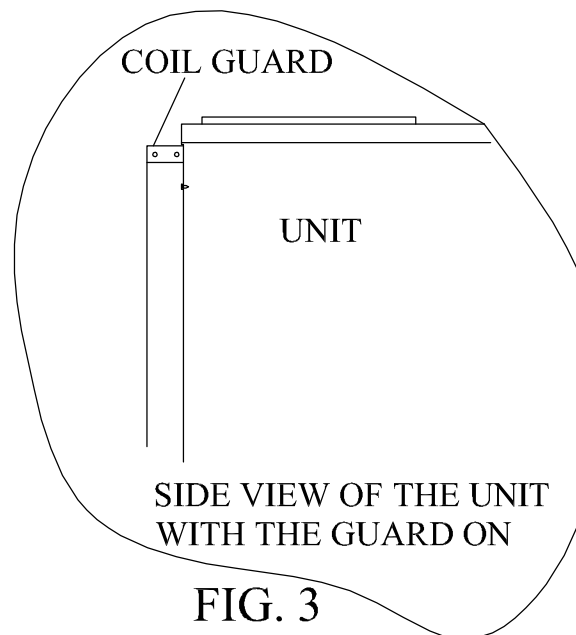
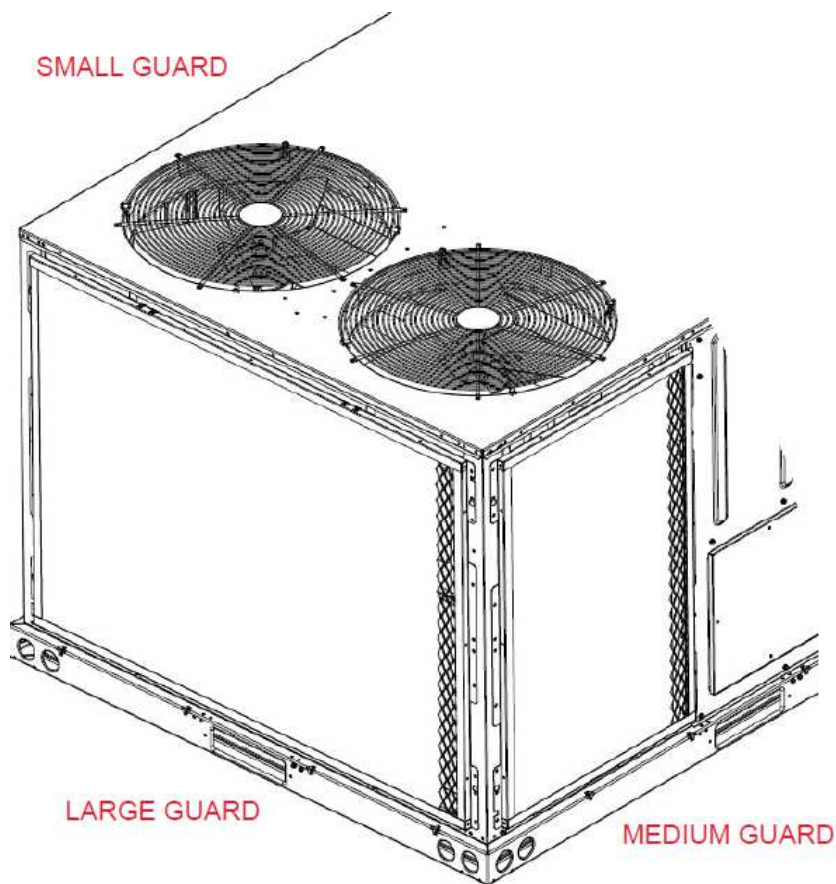
INSTALLATION

1. DISCONNECT ALL POWER SOURCES TO THE UNIT.
2. SLIDE THE TOP FLANGE OF SMALL COIL GUARD UNDERNEATH THE TOP FLANGE OF THE HVAC UNIT. (SEE ILL. 2 AND 2A)
3. ALIGN HOLES ON THE LEFT SIDE OF THE GUARD WITH ENGAGING HOLES IN THE BLOWER MULLION OF THE UNIT. TO AVOID COIL DAMAGE, USE ONLY 1/2" SCREWS PROVIDED.

NOTE:- BE CAREFUL NOT TO DAMAGE THE COIL WHILE INSTALLING THE GUARD. THE SELF DRILLING SCREWS PROVIDED CAN BE USED ON ALL THE SIDES WITH OR WITHOUT MATCHING HOLES IN THE UNIT.



INSTALL INSTRUCTIONS FOR CONSOLIDATED COIL/HAIL GUARDS TO SUIT LENNOX CAT# 24C85



5. REPEAT THE PROCESS FOR THE MEDIUM AND LARGE GUARDS. TO AVOID COIL DAMAGE USE ONLY 1/2" SCREWS PROVIDED.