

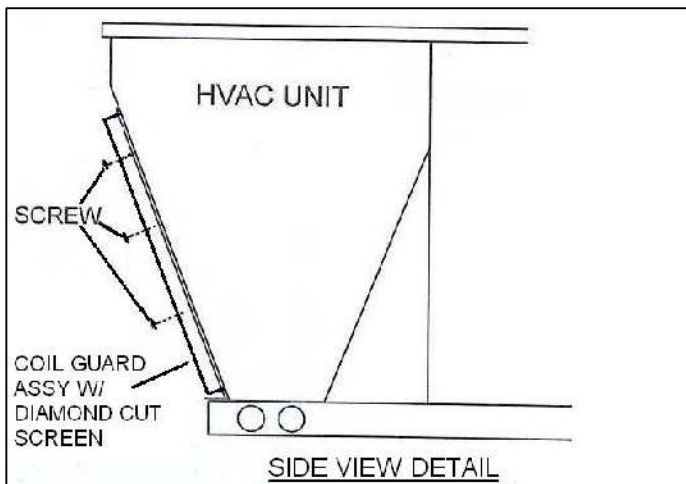
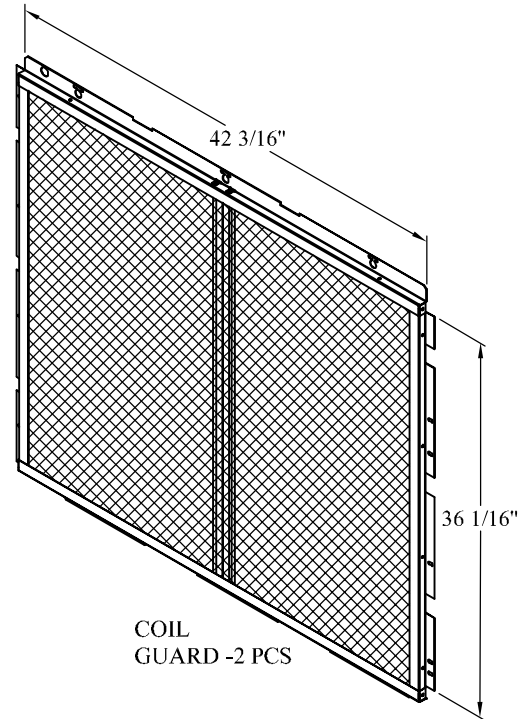


# INSTALL INSTRUCTIONS FOR COIL GUARD TO SUIT LENNOX CAT # 23U69

## ⚠ CAUTION

WHEN INSTALLING COIL GUARD BE SURE  
NOT TO PUNCTURE CONDENSER COIL

1. THE 23U69 COIL GUARDS ARE DESIGNED TO PROTECT THE CONDENSER COIL OF THE HVAC UNIT. THE FOLLOWING ARE INCLUDED:—  
SHIPPING AND PACKING LIST
- 2— COIL GUARD
- 1— HARDWARE BAG W/  
1—INSTRUCTIONS
- 24—#10—1/2" SCREWS



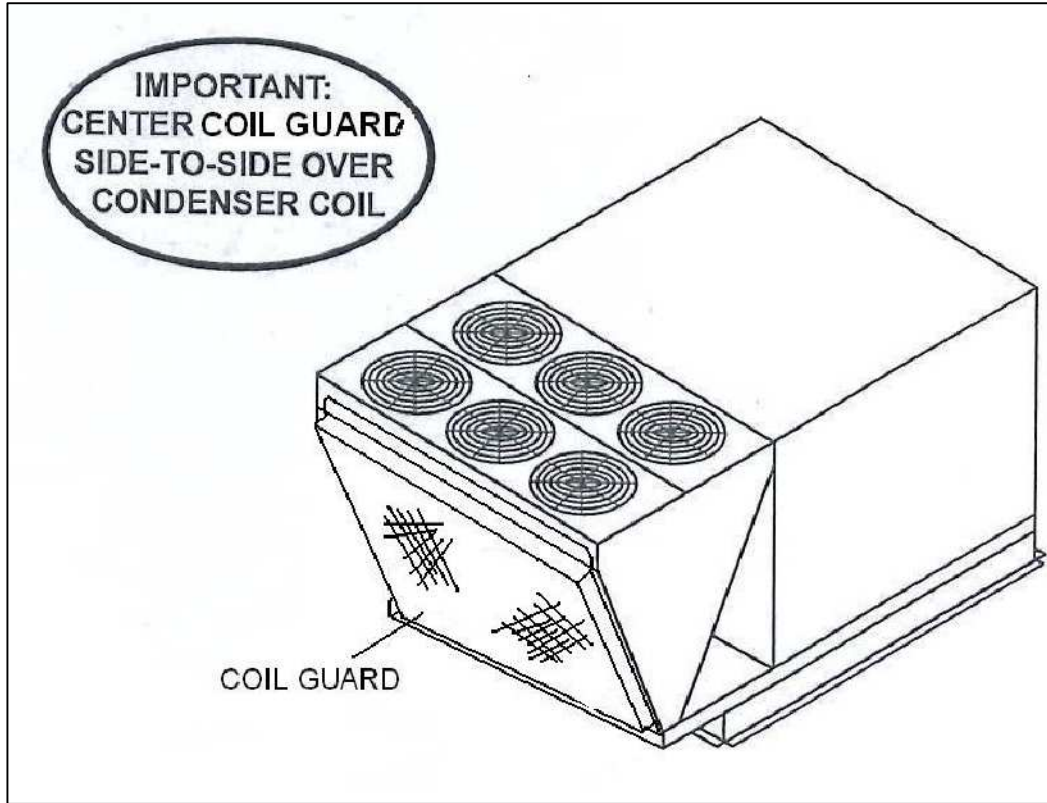
### INSTALLATION

1. DISCONNECT ALL POWER SOURCES TO THE UNIT.
2. TRY TO CENTER THE GUARD AND ALIGN THE HOLES ON THE UNIT WITH HOLES IN THE GUARD. ALSO, LOOK FOR THE BIG SCREWS ON THE UNIT USED TO HOLD THE COIL IN PLACE AND CLEAR THEM USING THE NOTCHES IN THE GUARD SIDES.

**NOTE:- BE CAREFUL NOT TO DAMAGE THE COIL WHILE INSTALLING THE GUARD. THE SELF DRILLING SCREWS PROVIDED CAN BE USED ON ALL THE SIDES WITH OR WITHOUT MATCHING HOLES IN THE UNIT.**



INSTALL INSTRUCTIONS FOR  
COIL GUARD  
TO SUIT  
LENNOX CAT # 23U69



4. SCREW THE SIDE FLANGES OF THE GUARD WITH THE UNIT. TO AVOID COIL DAMAGE, USE ONLY 1/2" SCREWS PROVIDED.