

OMNIGUARD™ EVAPORATOR COILS

PRODUCT SPECIFICATIONS

EVAPORATOR COILS FEATURES

- **Omniguard™ Total Corrosion Protection*** our advanced evaporator coil helps protect against leaks and corrosion for long term performance
- Microban® antimicrobial additive in the drain pan to resist mold and mildew growth
- Aluminum tubing, hairpins, distributors and header tubes. Copper refrigerant connections for easy brazing to both liquid and suction lines.
- Preformed flanges in outlet for quick and easy plenum connections
- One of the lowest water retention drain pans in the industry to minimize mold and mildew growth
- Interlocking door assemblies and snug line seal grommets to minimize air leakage
- Foil-face insulation for easy cleaning
- Tubing located at door split for easy coil service or cleaning
- All drain pans are compatible with UV lights
- All piston coils are compatible with R22 or R410a
- 10-year limited parts warranty available when applied with a system. See limited warranty document for details.

FORM NO. EAC/AU/AH1P/A4X/ED1P-100 (08/2020)



EAC4X
EAC1P

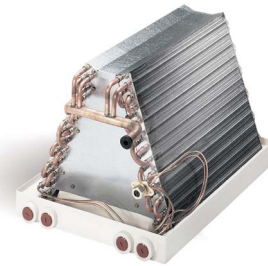
Upflow Coils

EAC4X (Cased)

- Dedicated upflow
- Factory installed TXV for quick installation in high efficiency applications
- Tightly sealed, painted steel cabinet with wall to wall insulation to ensure <2% air leakage
- Single protruding right side dual drain port for easy installation and service access

EAC1P (Cased)

- Dedicated upflow
- External cabinet mounted distributor body designed for easy changing of orifice sizes and fast TXV connections
- Single protruding right side dual drain port for easy installation and service access



EAU1P

EAU1P (Uncased)

- Dedicated upflow
- Orifice assembly designed for easy changing of orifice sizes and fast TXV connections
- Single protruding right side dual drain port for easy installation and service access



EAH1P

Horizontal Coils

EHIP (Cased)

- Dedicated horizontal
- Insulated galvanized steel case with durable embossed finish
- Removable panels provide access to coil
- Refrigerant lines extend outside of the cabinet for easy connection

Downflow Coils

ED1P (Cased)

- Dedicated downflow
- Heavy-gauge steel constructed cabinet for optimal support of the furnace, no need for additional bracing or structure
- Inlet openings matched to furnace models for easy installation and no adapters needed*
- Removable Cabinet panels for easy coil service
- Single protruding dual drain port for easy installation and service access



ED1P

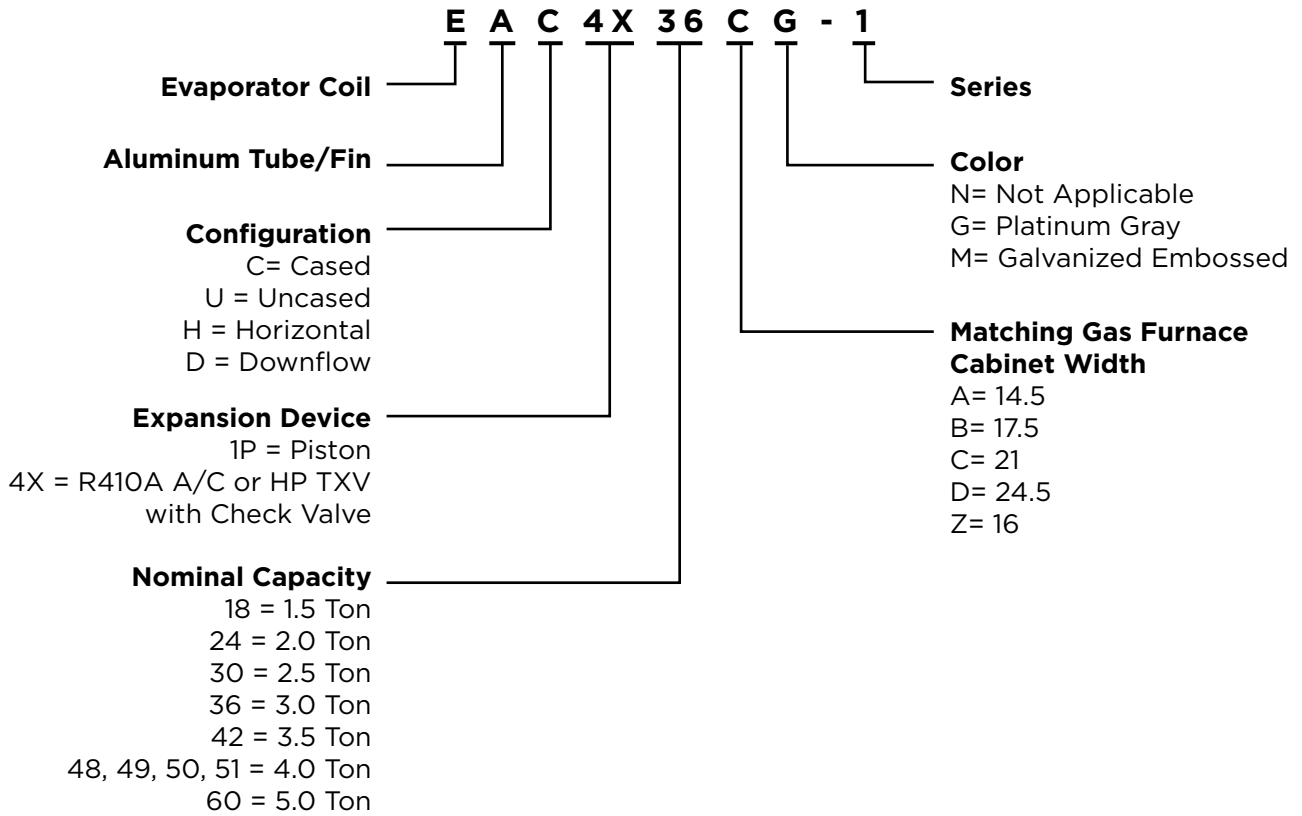
WARRANTY

10 year limited parts warranty available when applied with a system. See limited warranty document for details.



* All models feature Omniguard coils except for the ED1P, which utilizes copper tube and aluminum fin technology

MODEL NUMBER GUIDE



EAC1P

SPECIFICATIONS					1.5 TO 2 TON
General Data	Uncased Model No.	EAU1P18/24	EAU1P18/24B	EAUC1P24A	EAU1P24B
	Cased Model No.	EAC1P18/24	EAC1P18/24B	EAC1P24A	EAC1P24B
Line Connections in.	Suction / vapor o.d. - sweat	3/4	3/4	3/4	3/4
	Liquid o.d. - sweat	3/8	3/8	3/8	3/8
	Condensate drain (fpt)	(2) 3/4	(2) 3/4	(2) 3/4	(2) 3/4
RFCIV metering device orifice size		0.053	0.053	0.057	0.057
Shipping Data - lbs.	Uncased	18	20	23	24
	Cased	30	34	38	43

¹ Uncased coils match furnaces without any overhang but require optional adaptor base or field fabricated transition to match furnace width.

SPECIFICATIONS					2.5 TO 3 TON
General Data	Uncased Model No.	EAU1P30A	EAU1P30B	EAU1P30/36A	EAU1P30/36B
	Cased Model No.	EAC1P30A	EAC1P30B	EAC1P30/36A	EAC1P30/36B
Line Connections in.	Suction / vapor o.d. - sweat	3/4	3/4	3/4	3/4
	Liquid o.d. - sweat	3/8	3/8	3/8	3/8
	Condensate drain (fpt)	(2) 3/4	(2) 3/4	(2) 3/4	(2) 3/4
RFCIV metering device orifice size		0.067	0.067	0.057	0.057
Shipping Data - lbs.	Uncased	31	32	26	27
	Cased	45	50	41	45

¹ Uncased coils match furnaces without any overhang but require optional adaptor base or field fabricated transition to match furnace width.

SPECIFICATIONS					2.5 TO 4 TON	
General Data	Uncased Model No.	EAU1P30/36C	EAU1P36A	EAU1P36B	EAU1P48B	EAU1P48C
	Cased Model No.	EAC1P30/36C	EAC1P36A	EAC1P36B	EAC1P48B	EAC1P48C
	Nominal size - Tons	2.5 / 3	3	3	3.5 / 4	3.5 / 4
Line Connections in.	Suction / vapor o.d. - sweat	3/4	3/4	3/4	7/8	7/8
	Liquid o.d. - sweat	3/8	3/8	3/8	3/8	3/8
	Condensate drain (fpt)	(2) 3/4	(2) 3/4	(2) 3/4	(2) 3/4	(2) 3/4
RFCIV metering device orifice size		0.057	0.070	0.070	0.071	0.071
Shipping Data - lbs.	Uncased	29	31	33	43	44
	Cased	48	46	50	55	60

¹ Uncased coils match furnaces without any overhang but require optional adaptor base or field fabricated transition to match furnace width.

EAC1P Continued

SPECIFICATIONS					4 TO 5 TON
General Data	Uncased Model No.	EAU1P49C	EAU1P50/60C	EAU1P60C	EAU1P60D
	Cased Model No.	EAC1P49C	EAC1P50/60C	EAC1P60C	EAC1P60D
	Nominal size - Tons	4	4 / 5	5	5
Line Connections in.	Suction / vapor o.d. - sweat	7/8	7/8	7/8	7/8
	Liquid o.d. - sweat	3/8	3/8	3/8	3/8
	Condensate drain (fpt)	(2) 3/4	(2) 3/4	(2) 3/4	(2) 3/4
RFCIV metering device orifice size		0.076	0.070	0.077	0.077
Shipping Data - lbs.	Uncased	53	40	58	48
	Cased	70	60	73	72

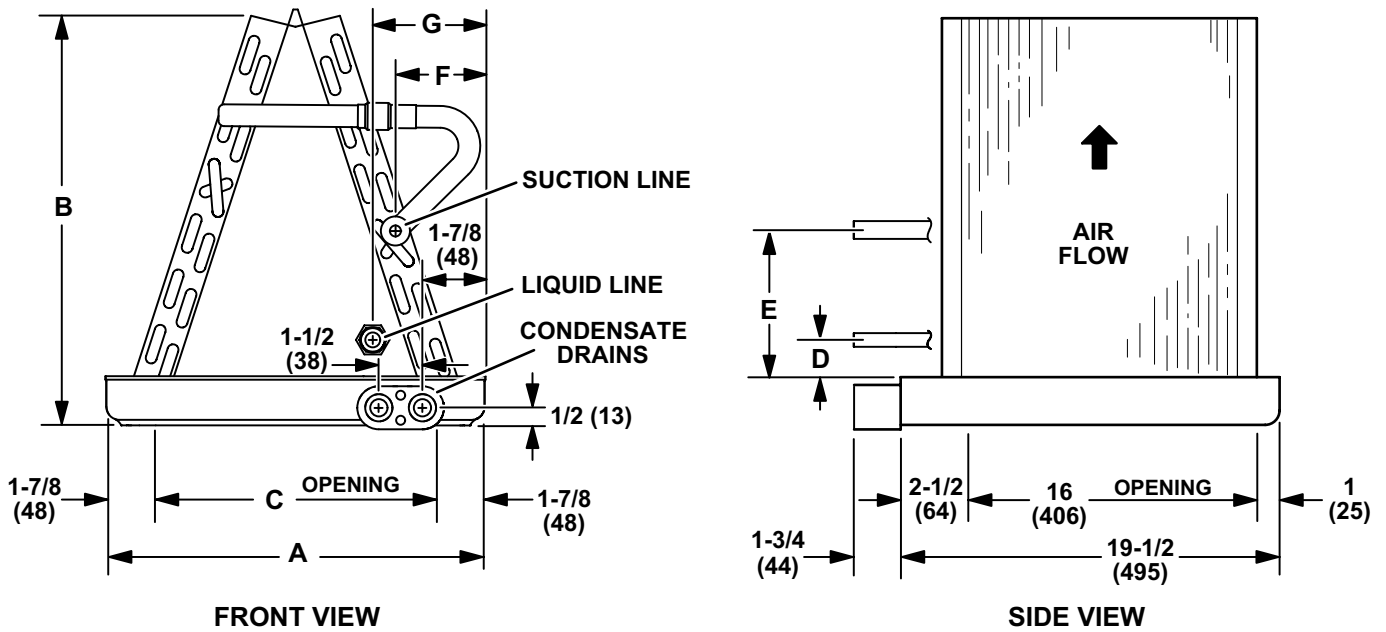
¹ Uncased coils match furnaces without any overhang but require optional adaptor base or field fabricated transition to match furnace width.

EAC1P / EAU1P

AIR RESISTANCE

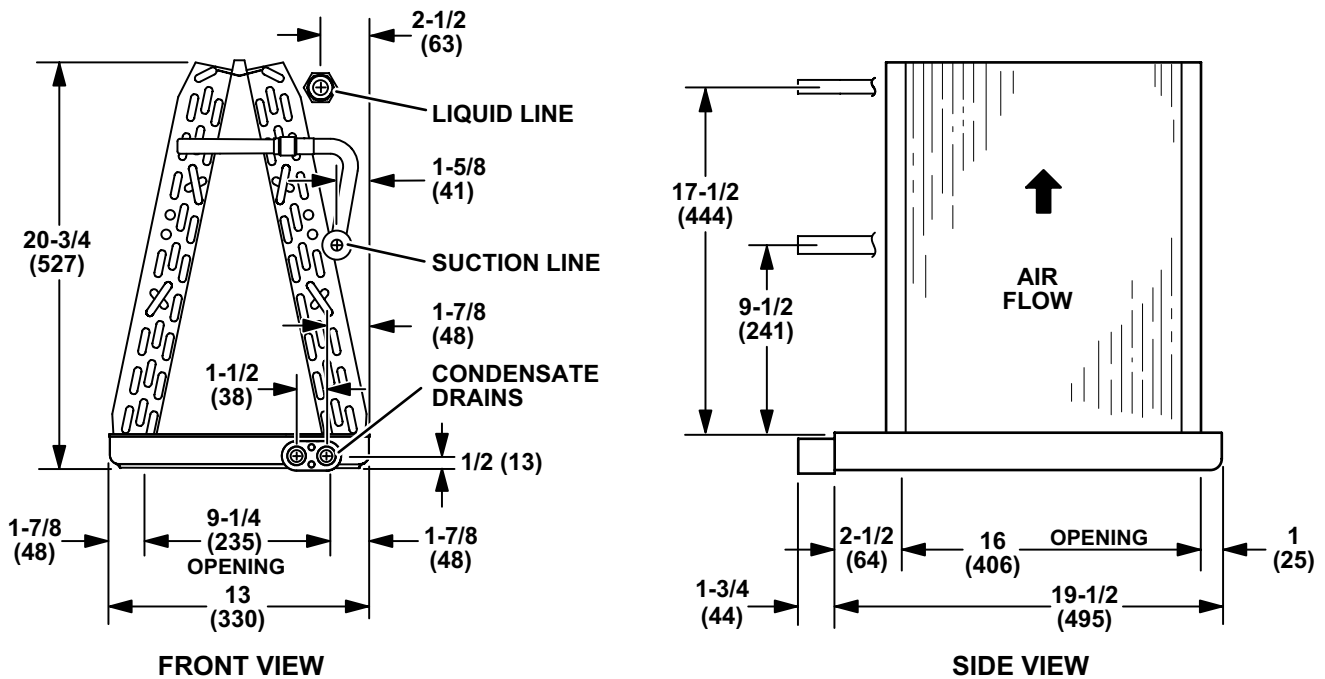
Model No.	Air Volume cfm	Total Resistance		Model No.	Air Volume cfm	Total Resistance	
		Dry Coil	Wet Coil			Dry Coil	Wet Coil
		in. w.g.	in. w.g.			in. w.g.	in. w.g.
EAC1P18/24A EAC1P18/24B	400	0.06	0.08	EAC1P36A	800	0.13	0.14
	600	0.11	0.17		1000	0.19	0.21
	800	0.18	0.25		1200	0.27	0.30
	1000	0.27	0.39		1400	0.34	0.39
	1200	0.37	0.52		1600	0.45	0.51
EAC1P24A	400	0.05	0.05	EAC1P48B	1000	0.13	0.13
	600	0.09	0.10		1200	0.18	0.18
	800	0.16	0.18		1400	0.23	0.24
	1000	0.23	0.26		1600	0.30	0.31
	1200	0.32	0.36		1800	0.37	0.40
EAC1P24B	400	0.03	0.04	EAC1P48C	1000	0.07	0.09
	600	0.07	0.09		1200	0.10	0.12
	800	0.11	0.15		1400	0.13	0.16
	1000	0.17	0.22		1600	0.16	0.20
	1200	0.23	0.31		1800	0.20	0.24
EAC1P30A	600	0.07	0.08	EAC1P49C	1200	0.08	0.12
	800	0.12	0.13		1400	0.13	0.17
	1000	0.18	0.20		1600	0.17	0.22
	1200	0.26	0.28		1800	0.22	0.28
	1400	0.34	0.37		2000	0.28	0.35
EAC1P30B	600	0.06	0.06	EAC1P50/60C	1200	0.13	0.17
	800	0.09	0.11		1400	0.18	0.23
	1000	0.13	0.16		1600	0.23	0.29
	1200	0.19	0.23		1800	0.28	0.37
	1400	0.25	0.31		2000	0.34	0.43
EAC1P30/36A	800	0.13	0.14	EAC1P60D	1400	0.11	0.15
	1000	0.19	0.21		1600	0.14	0.18
	1200	0.27	0.30		1800	0.17	0.21
	1400	0.34	0.39		2000	0.21	0.27
	1600	0.45	0.51		2200	0.25	0.32
EAC1P30/36B EAC1P30/36C EAC1P36B	800	0.08	0.11	EAC1P60C	1400	0.15	0.19
	1000	0.13	0.16		1600	0.19	0.23
	1200	0.17	0.21		1800	0.24	0.28
	1400	0.22	0.28		2000	0.29	0.34
	1600	0.29	0.34	2200	0.33	0.40	
				2400	0.39	0.46	

EAU1P-18/24A, -18/24B, -24A, -24B Coils

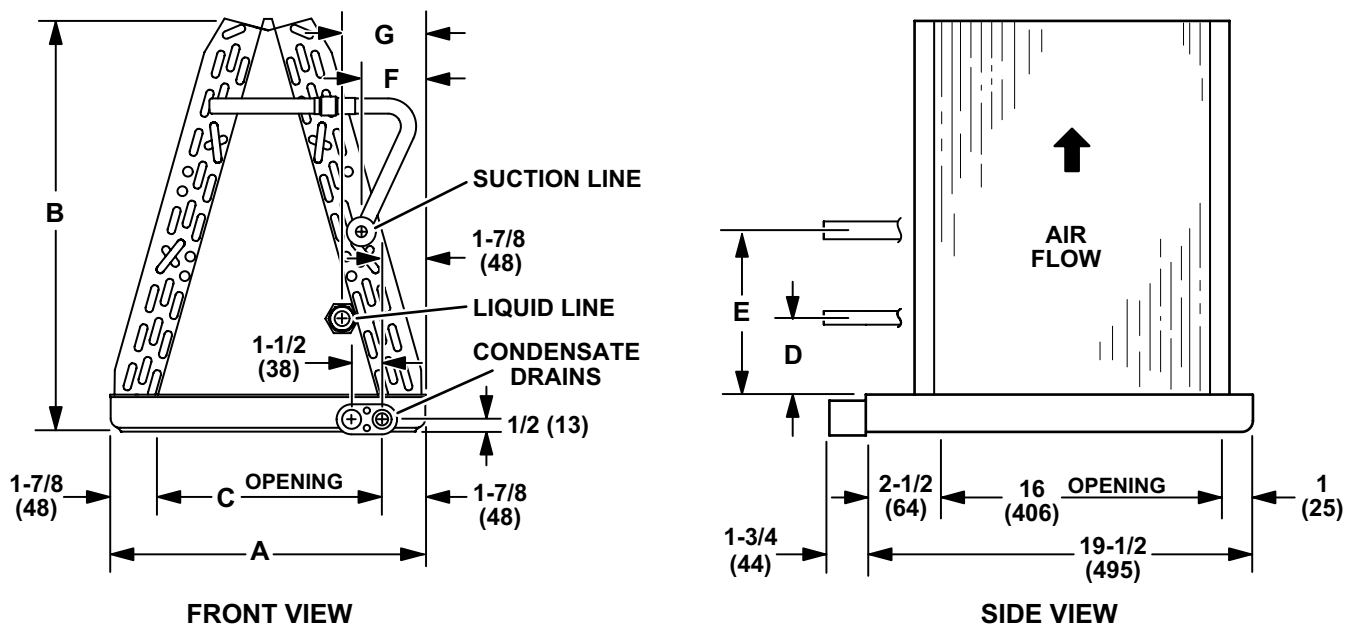


Model Number	A		B		C		D		E		F		G	
	in.	mm	in.	mm	in.	mm	in.	mm	in.	mm	in.	mm	in.	mm
EAU1P18/24A	13	330	14-1/8	359	9-1/4	235	1-1/4	32	5	127	3-1/8	79	3-7/8	98
EAU1P18/24B	15-1/2	394	14-1/8	359	11-3/4	298	1	25	4-5/8	117	2-7/8	73	3-5/8	92
EAU1P24A	13	330	16-3/8	416	9-1/4	235	2-7/8	73	7-5/8	194	3-1/8	79	3-3/4	95
EAU1P24B	15-1/2	394	16-3/8	416	11-3/4	298	2-1/4	57	7-1/2	190	3-1/8	79	4	102

EAU1P35-30A Coil

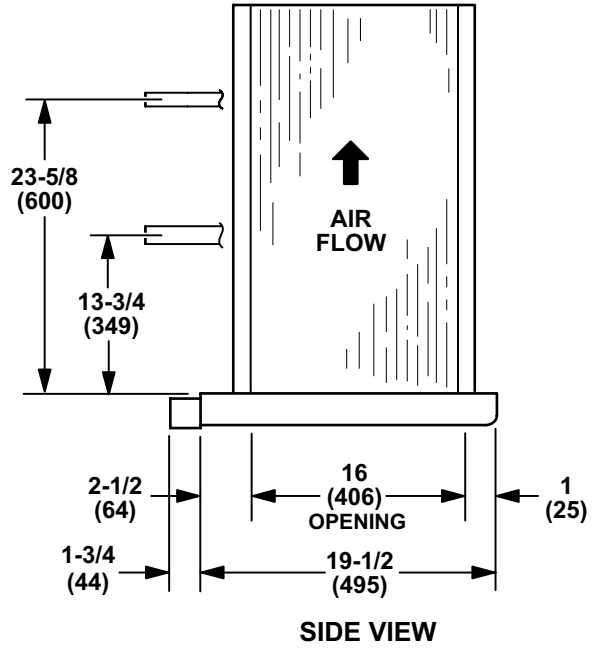
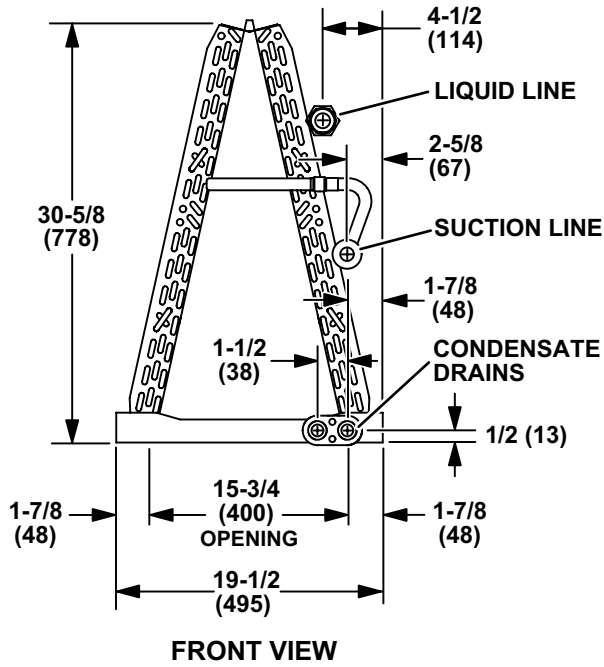


EAU1P-30B, -30/36A, -30/36B, -30/36C, -36A, -36B, -48B, -48C, -49C, -50/60C Coils

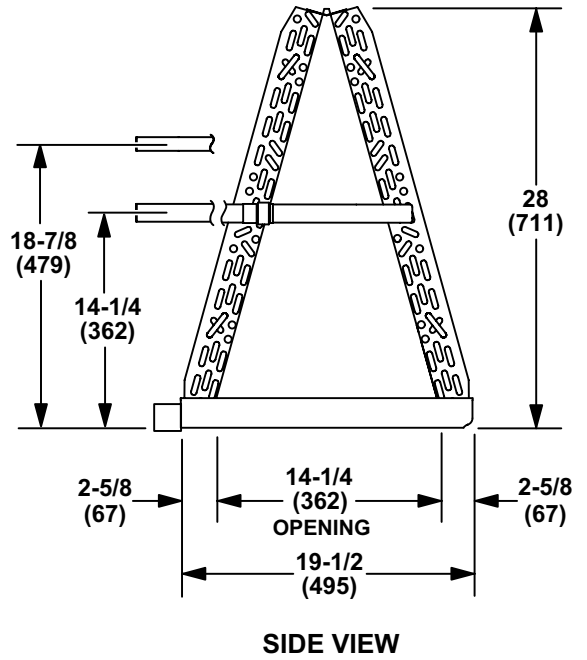
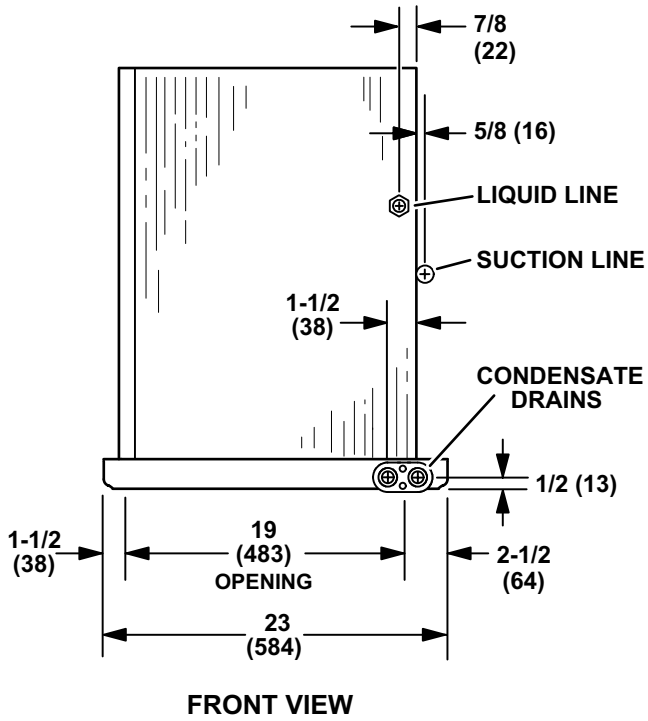


Model Number	A		B		C		D		E		F		G	
	in.	mm	in.	mm	in.	mm	in.	mm	in.	mm	in.	mm	in.	mm
EAU1P30B	15-1/2	394	20-3/4	527	11-3/4	298	3-1/8	79	8	203	3-1/8	79	4	102
EAU1P30/36A	13	330	22-1/4	565	9-1/4	235	2-1/2	64	11-3/4	298	3-1/8	79	3-7/8	98
EAU1P30/36B	15-1/2	394	22-1/4	565	11-3/4	298	2-5/8	67	11	279	3-1/8	79	4	102
EAU1P30/36C	20	508	22-1/4	565	16-1/4	413	2-3/8	60	11-7/8	302	3-1/8	79	4	102
EAU1P36A	13	330	22-3/8	568	9-1/4	235	4-1/4	108	12-5/8	321	2-1/2	64	3-1/2	89
EAU1P36B	15-1/2	394	22-3/8	568	11-3/4	298	4-1/2	114	13	330	2-7/8	73	3-5/8	92
EAU1P48B	15-1/2	394	26-1/4	667	11-3/4	298	4-3/8	111	12-1/4	311	3-1/8	79	3-3/4	95
EAU1P48C	20	508	26-1/4	667	16-1/4	413	4-1/8	105	11-3/4	298	3-1/8	79	3-3/4	95
EAU1P49C	19-1/2	495	28-1/2	724	15-3/4	400	4-1/2	114	11-1/4	286	2-5/8	67	3-3/4	95
EAU1P50/60C	20	508	25-7/8	657	16-1/4	413	3-3/4	95	11-3/4	298	3-1/8	79	4	102

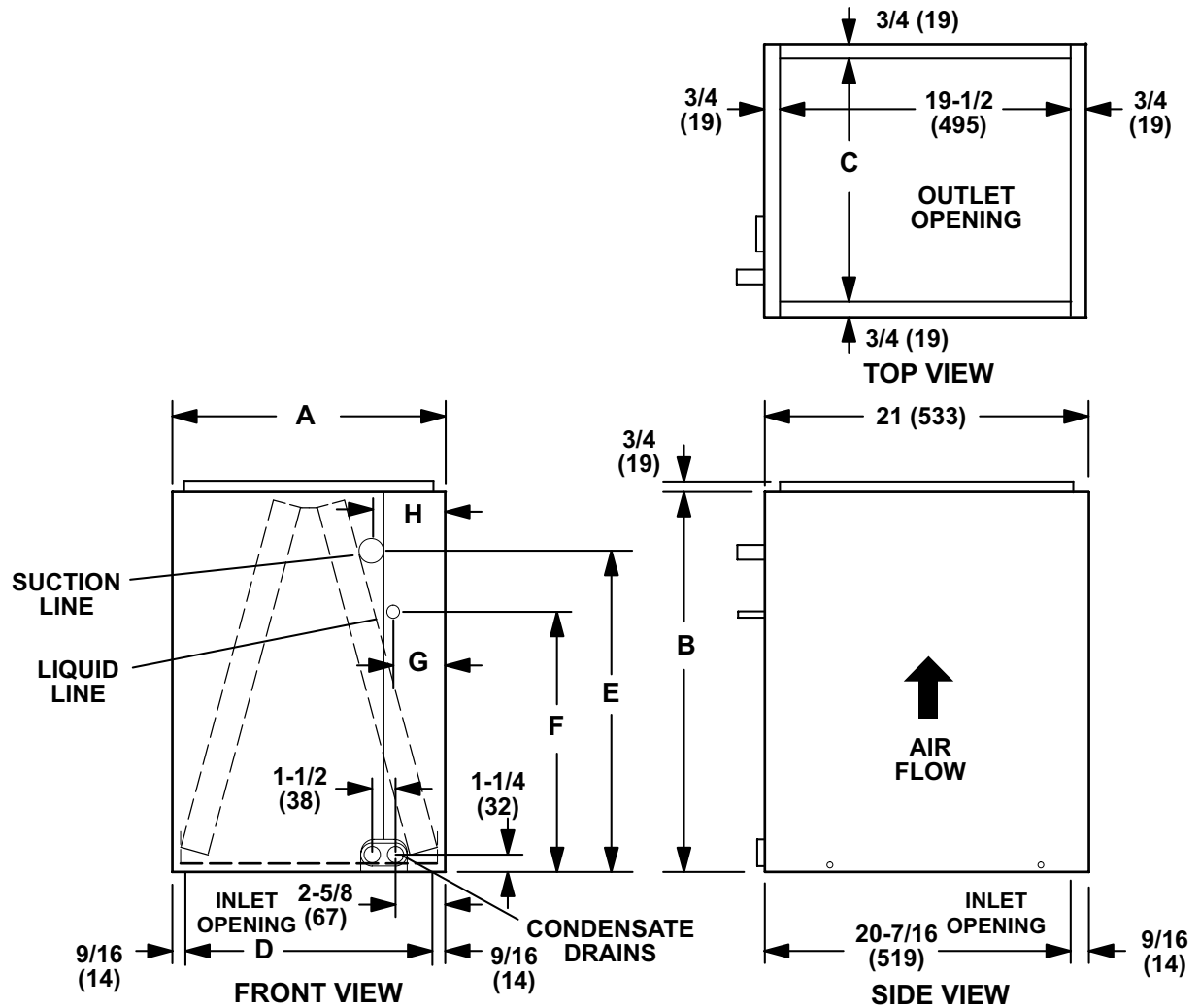
EAU1P-60C Coil



EAU1P-60D Coil



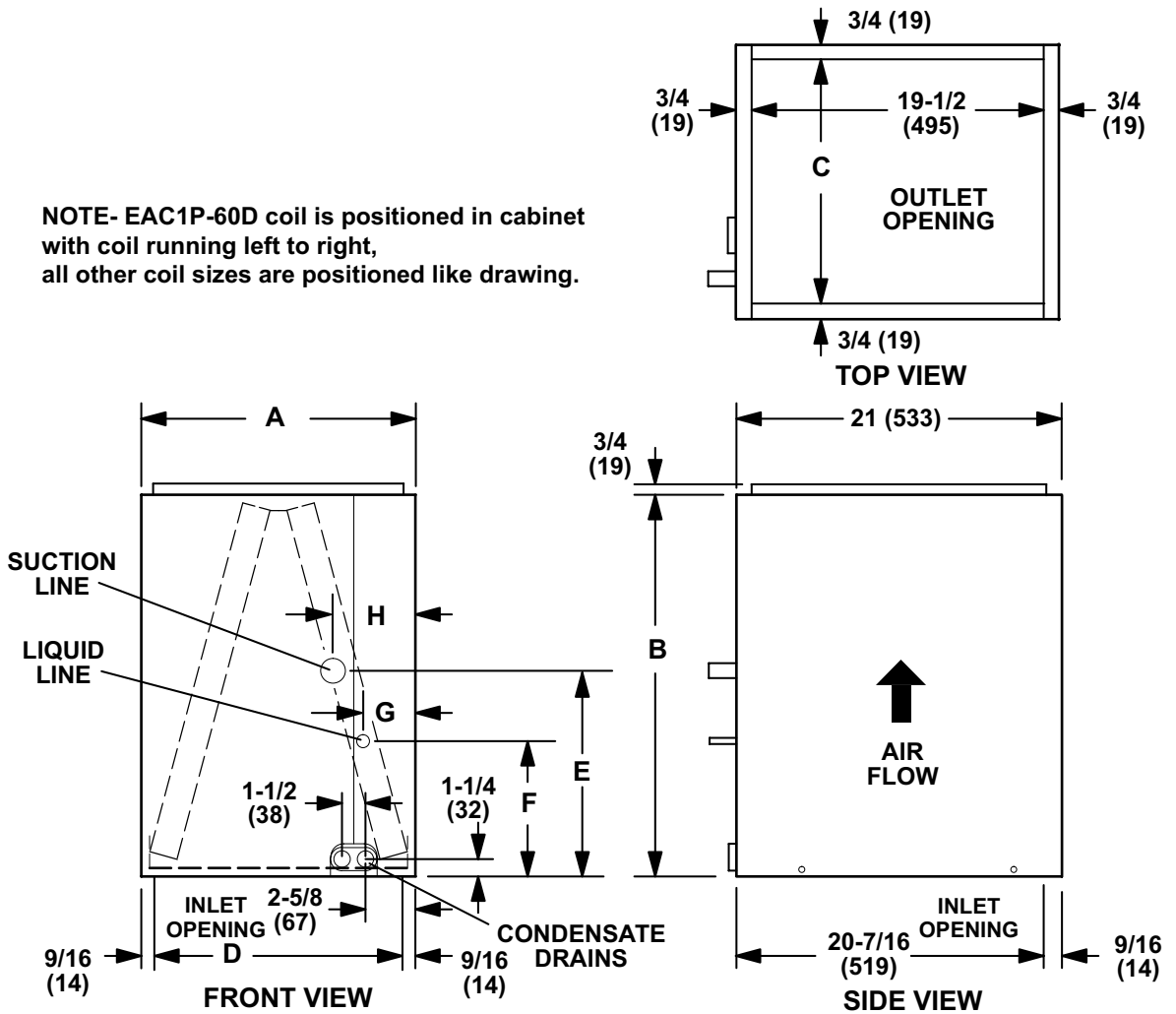
EAC1P-18/24(A/B), -30/36(A/B/C), -36(A/B) Coils



Model Number	A		B		C		D		E		F		G		H	
	in.	mm	in.	mm	in.	mm	in.	mm	in.	mm	in.	mm	in.	mm	in.	mm
EAC1P18/24A	14-1/2	368	16-1/2	419	13	330	13-3/8	340	7-3/8	187	3-1/2	89	3	76	3-7/8	98
EAC1P18/24B	17-1/2	445	16-1/2	419	16	406	16-3/8	416	7	178	3-1/2	89	3	76	3-7/8	98
EAC1P30/36A	14-1/2	368	24-1/2	622	13	330	13-3/8	340	14-1/4	362	4-3/4	121	3	76	3-7/8	98
EAC1P30/36B	17-1/2	445	24-1/2	622	16	406	16-3/8	416	13-3/8	340	4-3/4	121	3	76	4-1/8	108
EAC1P30/36C	21	533	24-1/2	622	19-1/2	495	19-7/8	505	14-3/8	365	4-3/4	121	3	76	3-5/8	92
EAC1P36A	14-1/2	368	24-1/2	622	13	330	13-3/8	340	13-1/2	343	4-3/4	121	2	52	3-1/4	83
EAC1P36B	17-1/2	445	24-1/2	622	16	406	16-3/8	416	13-3/4	350	4-3/4	121	2-5/8	67	3-7/8	98

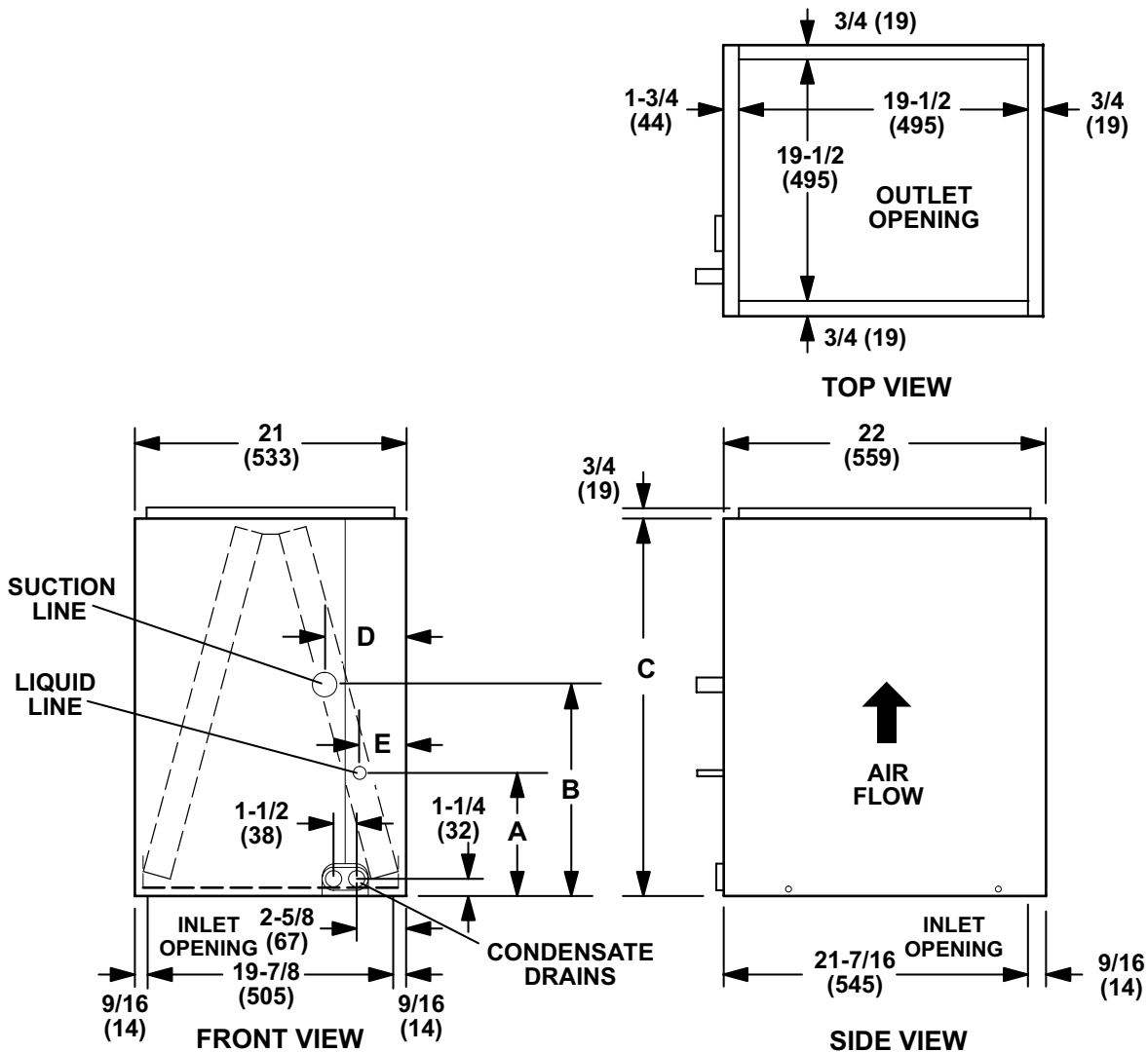
EAC1P-24(A/B), -30(A/B), -48(B/C), -50/60C and -60D Coils

NOTE- EAC1P-60D coil is positioned in cabinet with coil running left to right, all other coil sizes are positioned like drawing.



Model Number	A		B		C		D		E		F		G		H	
	in.	mm	in.	mm	in.	mm	in.	mm	in.	mm	in.	mm	in.	mm	in.	mm
EAC1P24A	14-1/2	368	18-1/2	470	13	330	13-3/8	340	10-1/8	257	3-3/8	86	3	76	3-7/8	98
EAC1P24B	17-1/2	445	18-1/2	470	16	406	16-3/8	416	10	254	3-1/2	89	3	76	3-7/8	98
EAC1P30A	14-1/2	368	22-1/2	572	13	330	13-3/8	340	12	305	3-3/8	86	3	76	3-7/8	98
EAC1P30B	17-1/2	445	22-1/2	572	16	406	16-3/8	416	10-1/2	267	3-3/8	86	3	76	3-7/8	98
EAC1P48B	17-1/2	445	27-1/2	699	16	406	16-3/8	416	12-7/8	327	3-7/8	98	3	76	4	102
EAC1P48C	21	533	27-1/2	699	19-1/2	495	19-7/8	505	12-1/2	318	4-3/4	121	2-3/4	70	3-1/2	89
EAC1P50/60C	21	533	27-1/2	699	19-1/2	495	19-7/8	505	12-1/2	318	4-3/4	121	2-3/4	70	3-1/2	89
EAC1P60D	24-1/2	622	29-1/2	749	23	584	23-3/8	594	15-1/8	384	4-1/2	121	1-5/8	41	2-5/8	67

EAC1P-49C and EAC1P-60C



Model Number	A		B		C		D		E	
	in.	mm	in.	mm	in.	mm	in.	mm	in.	mm
EAC1P49C	4-3/4	121	12-1/8	308	29-1/2	749	3-3/8	86	2-1/2	64
EAC1P60C	4-3/4	121	14-1/2	368	31-1/2	800	3-3/8	86	2-1/2	64

EAH1P

SPECIFICATIONS								1.5 TO 3 TON
General Data	Model No.	EAH1P18A	EAH1P24A	EAH1P24B	EAH1P30A	EAH1P30B	EAH1P36A	EAH1P36B
	Nominal size - Tons	1.5	2	2	2.5	2.5	3	3
Line connections in.	Suction o.d. - sweat	7/8	7/8	7/8	7/8	7/8	7/8	7/8
	Liquid o.d. - sweat	3/8	3/8	3/8	3/8	3/8	3/8	3/8
	Condensate drain (fpt)	(2) 3/4	(2) 3/4	(2) 3/4	(2) 3/4	(2) 3/4	(2) 3/4	(2) 3/4
Shipping Data - lbs.		43	45	49	55	53	47	48

SPECIFICATIONS								3 TO 5 TON
General Data	Model No.	EAH1P36C	EAH1P42B	EAH1P42C	EAH1P48B	EAH1P48C	EAH1P51C	EAH1P60D
	Nominal size - Tons	3	3.5	3.5	3.5/4	3.5/4	4	5
Line connections in.	Suction o.d. - sweat	7/8	7/8	7/8	7/8	7/8	7/8	7/8
	Liquid o.d. - sweat	3/8	3/8	3/8	3/8	3/8	3/8	3/8
	Condensate drain (fpt)	(2) 3/4	(2) 3/4	(2) 3/4	(2) 3/4	(2) 3/4	(2) 3/4	(2) 3/4
Shipping Data - lbs.		55	66	60	60	59	69	78

EAH1P**AIR RESISTANCE**

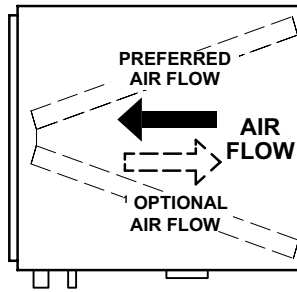
Air Volume cfm	Total Air Resistance - in. w.g.													
	EAH1P18A		EAH1P24A		EAH1P24B		EAH1P30A		EAH1P30B		EAH1P36A		EAH1P36B	
	Dry Coil	Wet Coil	Dry Coil	Wet Coil	Dry Coil	Wet Coil	Dry Coil	Wet Coil	Dry Coil	Wet Coil	Dry Coil	Wet Coil	Dry Coil	Wet Coil
200	0.02	0.02	---	---	---	---	---	---	---	---	---	---	---	---
400	0.05	0.06	0.04	0.05	0.03	0.04	0.04	0.05	0.02	0.02	---	---	---	---
600	0.09	0.11	0.09	0.11	0.05	0.07	0.09	0.10	0.05	0.06	---	---	---	---
800	0.15	0.17	0.15	0.19	0.09	0.11	0.15	0.17	0.09	0.11	0.15	0.18	0.08	0.10
1000	0.22	0.25	0.23	0.29	0.15	0.17	0.24	0.27	0.14	0.16	0.22	0.27	0.11	0.16
1200	---	---	0.32	0.40	0.21	0.23	0.34	0.38	0.19	0.23	0.30	0.39	0.16	0.21
1400	---	---	0.43	0.50	0.28	0.30	0.45	0.51	0.26	0.30	0.41	0.48	0.21	0.27
1600	---	---	---	---	---	---	---	---	---	---	0.53	0.63	0.27	0.35

AIR RESISTANCE

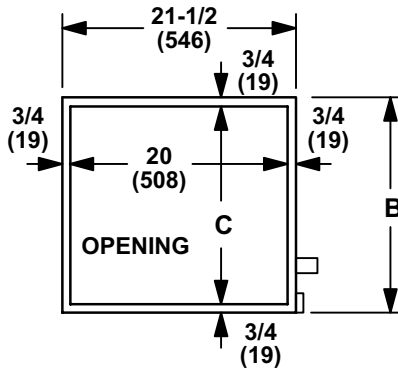
Air Volume cfm	EAH1P36C		EAH1P42B		EAH1P42C		EAH1P48B		EAH1P48C		EAH1P51C		EAH1P60D	
	Dry Coil	Wet Coil	Dry Coil	Wet Coil	Dry Coil	Wet Coil	Dry Coil	Wet Coil	Dry Coil	Wet Coil	Dry Coil	Wet Coil	Dry Coil	Wet Coil
800	0.06	0.08	0.10	0.10	0.06	0.06	---	---	---	---	---	---	---	---
1000	0.10	0.13	0.14	0.18	0.09	0.10	0.14	0.16	---	---	---	---	---	---
1200	0.15	0.18	0.20	0.25	0.15	0.16	0.19	0.23	0.16	0.19	0.15	0.16	---	---
1400	0.19	0.23	0.26	0.31	0.18	0.21	0.25	0.29	0.21	0.26	0.20	0.23	0.12	0.16
1600	0.24	0.31	0.34	0.36	0.26	0.28	0.30	0.38	0.27	0.30	0.25	0.29	0.16	0.20
1800	---	---	0.42	0.47	0.31	0.38	0.38	0.42	0.33	0.39	0.31	0.36	0.20	0.24
2000	---	---	---	---	---	---	---	---	0.39	0.49	0.40	0.44	0.24	0.30
2200	---	---	---	---	---	---	---	---	---	---	0.48	0.54	0.29	0.36
2400	---	---	---	---	---	---	---	---	---	---	---	---	0.34	0.42

EAH1P-18 Through EAH1P-60

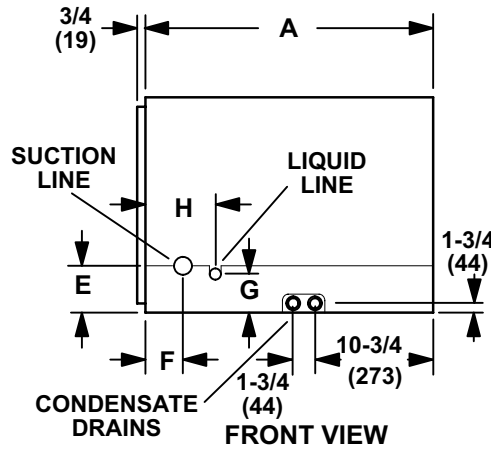
¹ Optional right-hand airflow requires a field fabricated 6 in. (152 mm) spacer in-between the furnace and coil.



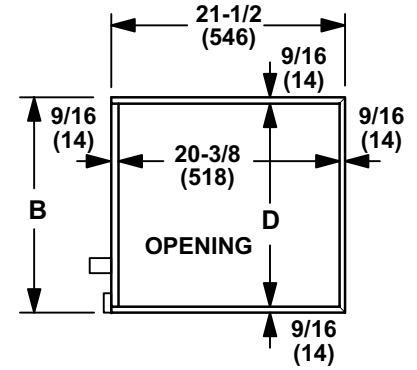
TOP VIEW



END VIEW



FRONT VIEW



END VIEW

Model No.	A		B		C		D		E		F		G		H	
	in.	mm	in.	mm	in.	mm	in.	mm	in.	mm	in.	mm	in.	mm	in.	mm
EAH1P18A	26-1/2	673	14-1/2	368	13	330	13-3/8	340	3-3/8	86	2-1/8	54	3-5/8	92	4-7/8	124
EAH1P24A	26-1/2	673	14-1/2	368	13	330	13-3/8	340	3-3/8	86	2-1/8	54	3-5/8	92	4-7/8	124
EAH1P24B	26-1/2	673	17-1/2	444	16	406	16-3/8	416	3-3/8	86	2-1/8	54	3-5/8	92	4-7/8	124
EAH1P30A	31-1/2	800	14-1/2	368	13	330	13-3/8	340	3-3/8	86	2-1/8	54	3-5/8	92	4-7/8	124
EAH1P30B	26-1/2	673	17-1/2	444	16	406	16-3/8	416	3-3/8	86	2-1/8	54	3-5/8	92	4-7/8	124
EAH1P36A	26-1/2	673	14-1/2	368	13	330	13-3/8	340	3-3/8	86	2-1/8	54	3-5/8	92	4-7/8	124
EAH1P36B	26-1/2	673	17-1/2	444	16	406	16-3/8	416	3-3/8	86	2-1/8	54	3-5/8	92	4-7/8	124
EAH1P36C	26-1/2	673	21	533	19-1/2	495	19-7/8	505	3-3/8	86	2-1/8	54	3-5/8	92	4-7/8	124
EAH1P42B	31-1/2	800	17-1/2	444	16	406	16-3/8	416	3-3/8	86	2-1/8	54	3-5/8	92	4-7/8	124
EAH1P42C	26-1/2	673	21	533	19-1/2	495	19-7/8	505	3-3/8	86	2-1/8	54	3-5/8	92	4-7/8	124
EAH1P48B	31-1/2	800	17-1/2	444	16	406	16-3/8	416	3-3/8	86	2-1/8	54	3-5/8	92	4-7/8	124
EAH1P48C	26-1/2	673	21	533	19-1/2	495	19-7/8	505	3-3/8	86	2-1/8	54	3-5/8	92	4-7/8	124
EAH1P51C	31-1/2	800	21	533	19-1/2	495	19-7/8	505	3-3/8	86	2-1/8	54	3-5/8	92	4-7/8	124
EAH1P60D	31-1/2	800	24-1/2	622	23	584	23-3/8	594	3-3/8	86	2-1/8	54	3-5/8	92	4-7/8	124

EAC4X

SPECIFICATIONS					1.5 TO 2 TON	
General Data	Model No.	EAC4X18/24A	EAC4X18/24B	EAC4X24A	EAC4X24B	
		Nominal size - Tons	1.5 / 2	1.5 / 2	2	2
Line Connections in.	Suction / vapor o.d. - sweat	3/4	3/4	3/4	3/4	
	Liquid o.d. - sweat	3/8	3/8	3/8	3/8	
	Condensate drain (fpt)	(2) 3/4	(2) 3/4	(2) 3/4	(2) 3/4	
Shipping Data - lbs.		30	34	38	43	

SPECIFICATIONS					2.5 TO 3 TON	
General Data	Model No.	EAC4X30A	EAC4X30B	EAC4X30/36A	EAC4X30/36B	
		Nominal size - Tons	2.5	2.5	2.5 / 3	2.5 / 3
Line Connections in.	Suction / vapor o.d. - sweat	3/4	3/4	3/4	3/4	
	Liquid o.d. - sweat	3/8	3/8	3/8	3/8	
	Condensate drain (fpt)	(2) 3/4	(2) 3/4	(2) 3/4	(2) 3/4	
Shipping Data - lbs.		45	50	41	45	

SPECIFICATIONS					2.5 TO 4 TON	
General Data	Model No.	EAC4X30/36C	EAC4X36A	EAC4X36B	EAC4X48B	EAC4X48C
		Nominal size - Tons	2.5 / 3	3	3	3.5 / 4
Line Connections in.	Suction / vapor o.d. - sweat	3/4	3/4	3/4	7/8	7/8
	Liquid o.d. - sweat	3/8	3/8	3/8	3/8	3/8
	Condensate drain (fpt)	(2) 3/4	(2) 3/4	(2) 3/4	(2) 3/4	(2) 3/4
Shipping Data - lbs.		48	46	50	55	60

SPECIFICATIONS					4 TO 5 TON	
General Data	Model No.	EAC4X49C	EAC4X50/60C	EAC4X60C	EAC4X60D	
		Nominal size - Tons	4	4 / 5	5	5
Line Connections in.	Suction / vapor o.d. - sweat	7/8	7/8	7/8	7/8	
	Liquid o.d. - sweat	3/8	3/8	3/8	3/8	
	Condensate drain (fpt)	(2) 3/4	(2) 3/4	(2) 3/4	(2) 3/4	
Shipping Data - lbs.		70	60	73	72	

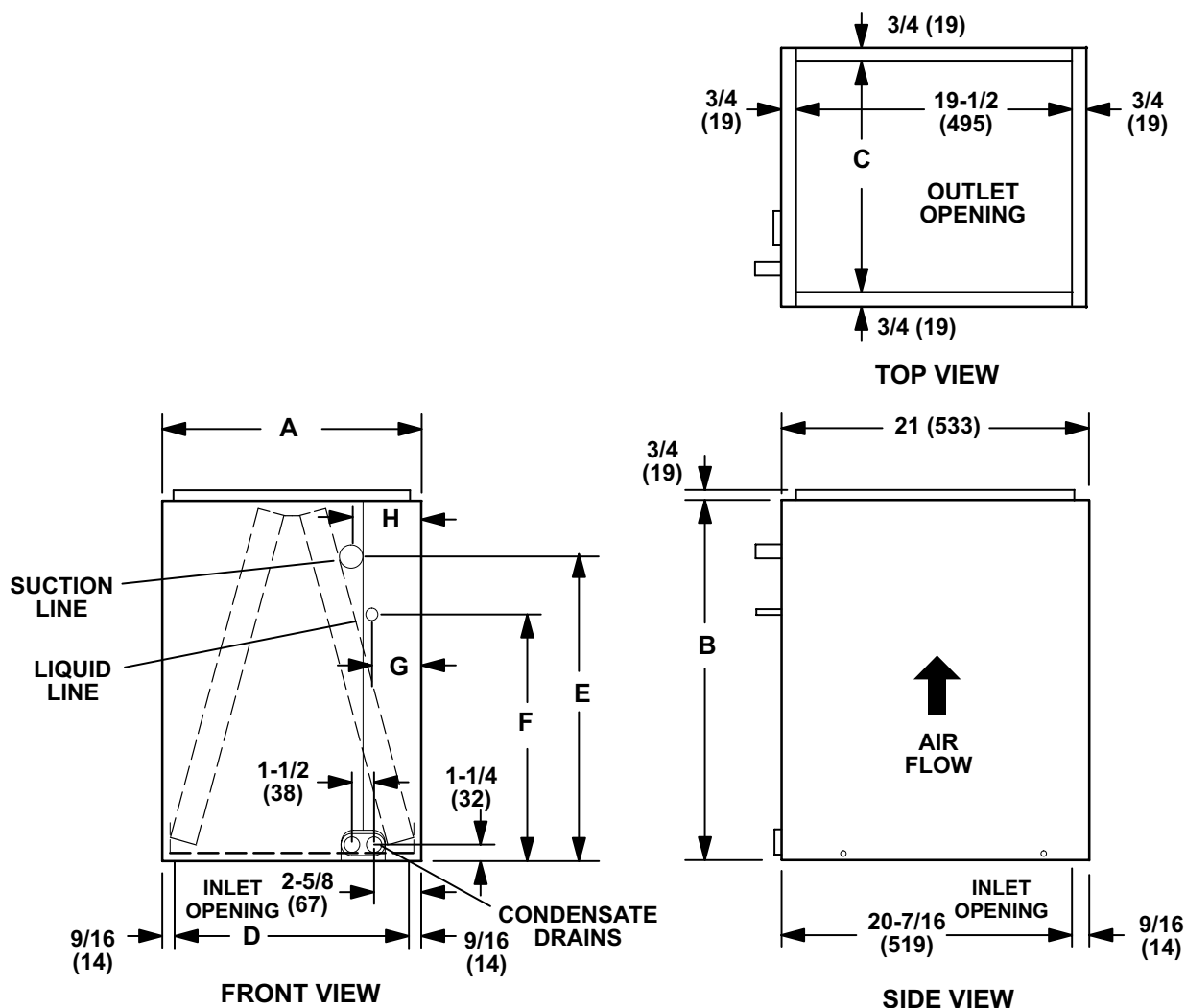
EAC4X

AIR RESISTANCE

Model No.	Air Volume cfm	Total Resistance	
		Dry Coil	Wet Coil
		in. w.g.	in. w.g.
EAC4X18/24A EAC4X18/24B	400	0.06	0.08
	600	0.11	0.17
	800	0.18	0.25
	1000	0.27	0.39
	1200	0.37	0.52
EAC4X24A	400	0.05	0.05
	600	0.09	0.10
	800	0.16	0.18
	1000	0.23	0.26
	1200	0.32	0.36
EAC4X24B	400	0.03	0.04
	600	0.07	0.09
	800	0.11	0.15
	1000	0.17	0.22
	1200	0.23	0.31
EAC4X30A	600	0.07	0.08
	800	0.12	0.13
	1000	0.18	0.20
	1200	0.26	0.28
	1400	0.34	0.37
EAC4X30B	600	0.06	0.06
	800	0.09	0.11
	1000	0.13	0.16
	1200	0.19	0.23
	1400	0.25	0.31
EAC4X30/36A	800	0.13	0.14
	1000	0.19	0.21
	1200	0.27	0.30
	1400	0.34	0.39
	1600	0.45	0.51
EAC4X30/36B EAC4X30/36C EAC4X36B	800	0.08	0.11
	1000	0.13	0.16
	1200	0.17	0.21
	1400	0.22	0.28
	1600	0.29	0.34

Model No.	Air Volume cfm	Total Resistance	
		Dry Coil	Wet Coil
		in. w.g.	in. w.g.
EAC4X36A	800	0.13	0.14
	1000	0.19	0.21
	1200	0.27	0.30
	1400	0.34	0.39
	1600	0.45	0.51
EAC4X48B	1000	0.13	0.13
	1200	0.18	0.18
	1400	0.23	0.24
	1600	0.30	0.31
	1800	0.37	0.40
EAC4X48C	1000	0.07	0.09
	1200	0.10	0.12
	1400	0.13	0.16
	1600	0.16	0.20
	1800	0.20	0.24
EAC4X49C	1200	0.08	0.12
	1400	0.13	0.17
	1600	0.17	0.22
	1800	0.22	0.28
	2000	0.28	0.35
EAC4X50/60C	1200	0.13	0.17
	1400	0.18	0.23
	1600	0.23	0.29
	1800	0.28	0.37
	2000	0.34	0.43
EAC4X60D	1400	0.11	0.15
	1600	0.14	0.18
	1800	0.17	0.21
	2000	0.21	0.27
	2200	0.25	0.32
	2400	0.30	0.37
	2400	0.39	0.46
EAC4X60C	1400	0.15	0.19
	1600	0.19	0.23
	1800	0.24	0.28
	2000	0.29	0.34
	2200	0.33	0.40
	2400	0.39	0.46

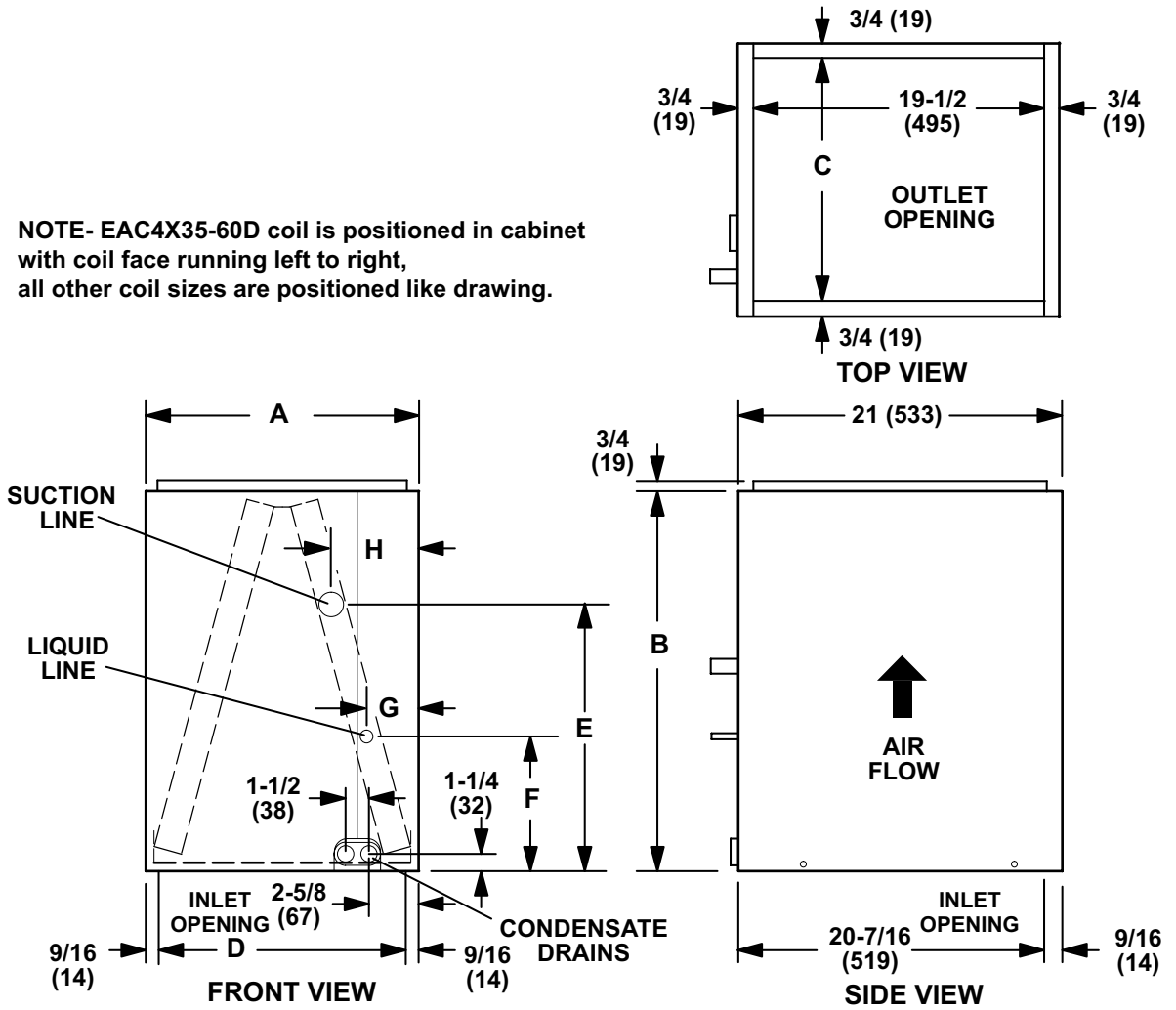
EAC4X-18/24(A/B), -30/36(A/B/C) and -36(A/B) Coils



Model Number	A		B		C		D		E		F		G		H	
	in.	mm	in.	mm	in.	mm	in.	mm	in.	mm	in.	mm	in.	mm	in.	mm
EAC4X18/24A	14-1/2	368	16-1/2	419	13	330	13-3/8	340	7-3/8	187	3-1/2	89	3	76	3-7/8	98
EAC4X18/24B	17-1/2	445	16-1/2	419	16	406	16-3/8	416	7	178	3-1/2	89	3	76	3-7/8	98
EAC4X30/36A	14-1/2	368	24-1/2	622	13	330	13-3/8	340	14-1/4	362	4-3/4	121	3	76	3-7/8	98
EAC4X30/36B	17-1/2	445	24-1/2	622	16	406	16-3/8	416	13-3/8	340	4-3/4	121	3	76	4-1/8	108
EAC4X30/36C	21	533	24-1/2	622	19-1/2	495	19-7/8	505	14-3/8	365	4-3/4	121	3	76	3-5/8	92
EAC4X36A	14-1/2	368	24-1/2	622	13	330	13-3/8	340	13-1/2	343	4-3/4	121	2	52	3-1/4	83
EAC4X36B	17-1/2	445	24-1/2	622	16	406	16-3/8	416	13-3/4	350	4-3/4	121	2-5/8	67	3-7/8	98

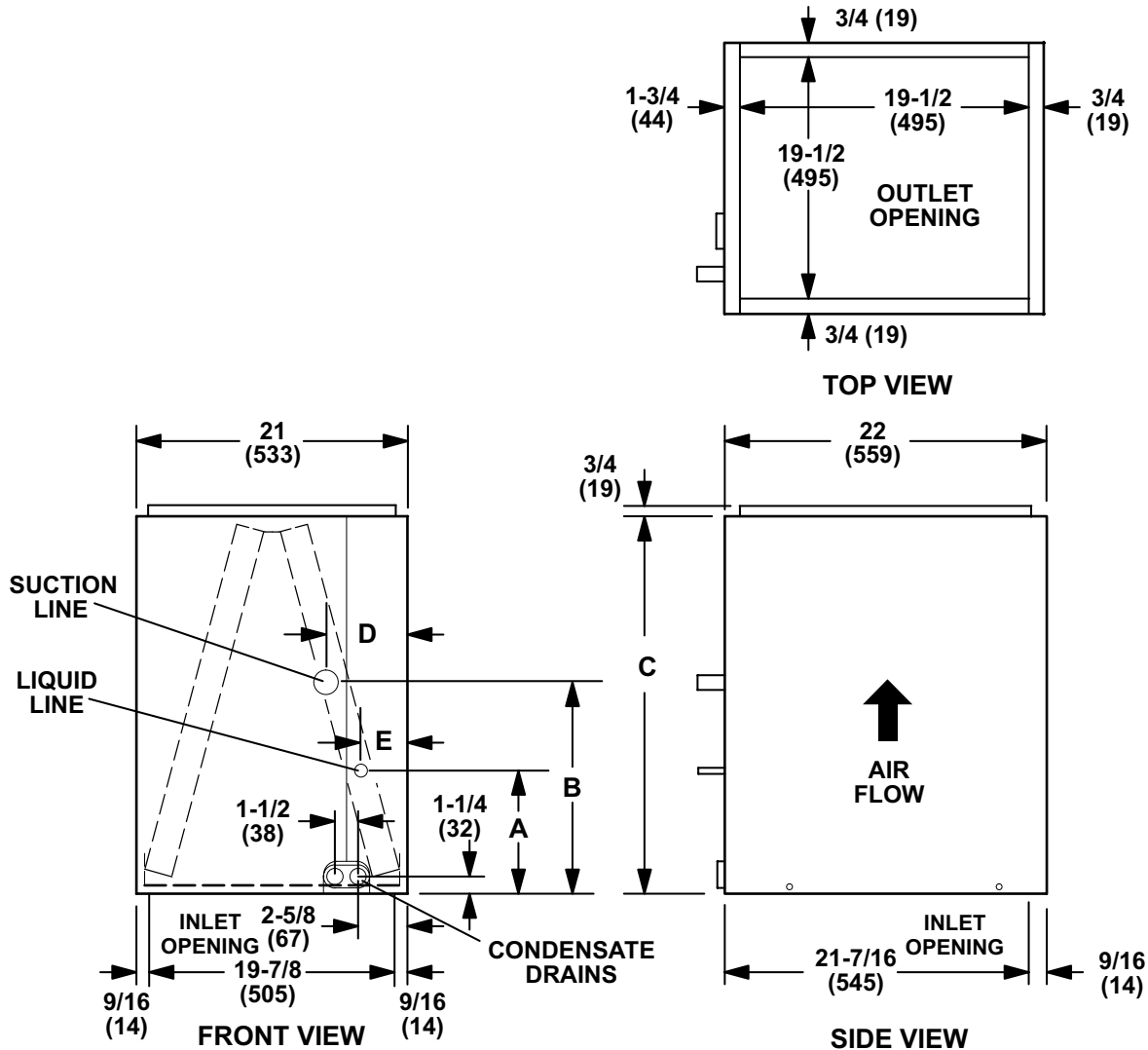
EAC4X-24(A/B), -30(A/B), -48(B/C), -50/60C and -60D Coils

NOTE- EAC4X35-60D coil is positioned in cabinet with coil face running left to right, all other coil sizes are positioned like drawing.



Model Number	A		B		C		D		E		F		G		H	
	in.	mm	in.	mm	in.	mm	in.	mm	in.	mm	in.	mm	in.	mm	in.	mm
EAC4X24A	14-1/2	368	18-1/2	470	13	330	13-3/8	340	10-1/8	257	3-3/8	86	3	76	3-7/8	98
EAC4X24B	17-1/2	445	18-1/2	470	16	406	16-3/8	416	10	254	3-1/2	89	3	76	3-7/8	98
EAC4X30A	14-1/2	368	22-1/2	572	13	330	13-3/8	340	12	305	3-3/8	86	3	76	3-7/8	98
EAC4X30B	17-1/2	445	22-1/2	572	16	406	16-3/8	416	10-1/2	267	3-3/8	86	3	76	3-7/8	98
EAC4X48B	17-1/2	445	27-1/2	699	16	406	16-3/8	416	12-7/8	327	3-7/8	98	3	76	4	102
EAC4X48C	21	533	27-1/2	699	19-1/2	495	19-7/8	505	12-1/2	318	4-3/4	121	2-3/4	70	3-1/2	89
EAC4X50/60C	21	533	27-1/2	699	19-1/2	495	19-7/8	505	12-1/2	318	4-3/4	121	2-3/4	70	3-1/2	89
EAC4X60D	24-1/2	622	29-1/2	749	23	584	23-3/8	594	15-1/8	384	4-1/2	121	1-5/8	41	2-5/8	67

EAC4X-49C and EAC4X-60C



Model Number	A		B		C		D		E	
	in.	mm	in.	mm	in.	mm	in.	mm	in.	mm
EAC4X49C	4-3/4	121	12-1/8	308	29-1/2	749	3-3/8	86	2-1/2	64
EAC4X60C	4-3/4	121	14-1/2	368	31-1/2	800	3-3/8	86	2-1/2	64

ED1P

SPECIFICATIONS						1.5 TO 3 TON
General Data	Model No.	ED1P18A	ED1P24A	ED1P24B	ED1P30/36A	ED1P30/36B
		Nominal size - Tons	1.5 / 2	2	2	2.5 / 3
Line Connections in.	Suction / vapor o.d. - sweat	7/8	7/8	7/8	7/8	7/8
	Liquid o.d. - sweat	3/8	3/8	3/8	3/8	3/8
	Condensate drain (fpt)	(2) 3/4	(2) 3/4	(2) 3/4	(2) 3/4	(2) 3/4
Shipping Data - lbs.		44	44	49	58	57

SPECIFICATIONS						2.5 TO 5 TON
General Data	Model No.	ED1P30/36C	ED1P48B	ED1P48C	ED1P50/60C	ED1P60D
		Nominal size - Tons	2.5 / 3	4	4	4 / 5
Line Connections in.	Suction / vapor o.d. - sweat	7/8	7/8	7/8	7/8	7/8
	Liquid o.d. - sweat	3/8	3/8	3/8	3/8	3/8
	Condensate drain (fpt)	(2) 3/4	(2) 3/4	(2) 3/4	(2) 3/4	(2) 3/4
Shipping Data - lbs.		60	72	71	85	84

ED1P

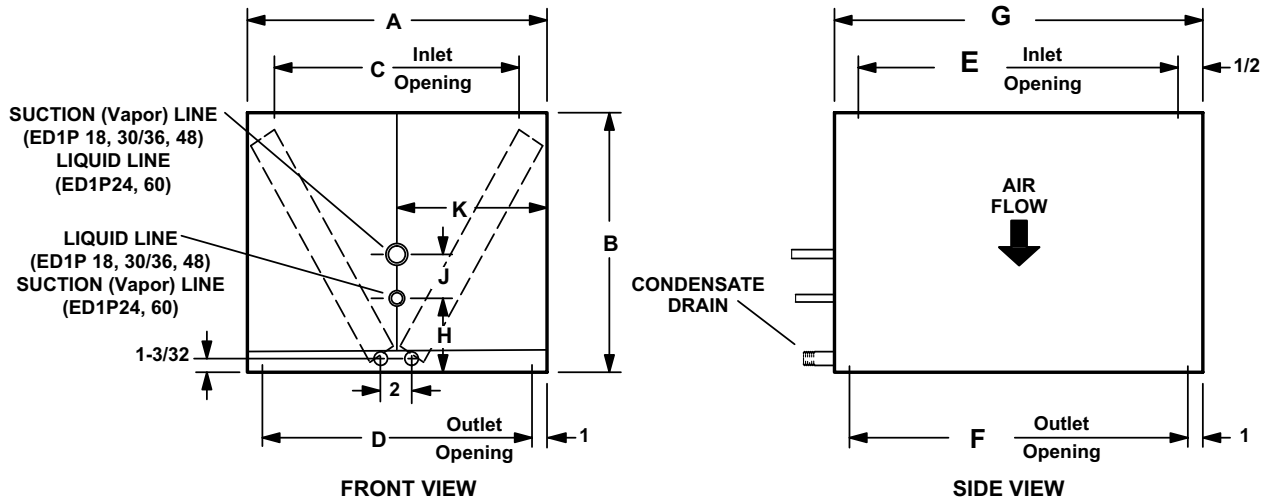
AIR RESISTANCE

Model No.	Dry Coil		Wet Coil		Model No.	Dry Coil		Wet Coil	
	Air Volume	Total Resistance	Air Volume	Total Resistance		Air Volume	Total Resistance	Air Volume	Total Resistance
	cfm	in. w.g.	cfm	in. w.g.		cfm	in. w.g.	cfm	in. w.g.
ED1P18A	370	0.05	255	0.05	ED1P24A	315	0.05	335	0.05
	510	0.08	305	0.07		465	0.09	490	0.10
	645	0.10	355	0.09		595	0.14	600	0.15
	815	0.15	395	0.12		725	0.20	705	0.20
	980	0.20	435	0.15		825	0.25	790	0.25
	1115	0.25	520	0.18		910	0.30	870	0.30
	1250	0.30	600	0.20		1000	0.35	940	0.35
	1395	0.35	690	0.25		1080	0.40	1020	0.40
	1535	0.40	775	0.30		1225	0.50	1090	0.45
	1645	0.45	845	0.35		1370	0.60	1160	0.51
	1760	0.50	920	0.39					
	1870	0.55	1505	0.50					

ED1P**AIR RESISTANCE**

Model No.	Dry Coil		Wet Coil		Model No.	Dry Coil		Wet Coil	
	Air Volume	Total Resistance	Air Volume	Total Resistance		Air Volume	Total Resistance	Air Volume	Total Resistance
	cfm	in. w.g.	cfm	in. w.g.		cfm	in. w.g.	cfm	in. w.g.
ED1P24B	400	0.06	400	0.07	ED1P48B	1200	0.14	1200	0.17
	500	0.09	500	0.10		1300	0.16	1300	0.20
	600	0.13	600	0.15		1400	0.19	1400	0.23
	700	0.17	700	0.20		1500	0.22	1500	0.26
	800	0.23	800	0.26		1600	0.25	1600	0.29
	900	0.27	900	0.32		1700	0.28	1700	0.32
	1000	0.33	1000	0.39		1800	0.30	1800	0.36
	1100	0.39	1100	0.46		1900	0.34	1900	0.42
	1200	0.47	1200	0.54		2000	0.37	2000	0.45
ED1P30/36A	600	0.10	600	0.10	ED1P48C	595	0.05	575	0.05
	700	0.13	700	0.14		860	0.10	820	0.10
	800	0.16	800	0.18		1060	0.15	995	0.15
	900	0.20	900	0.23		1235	0.20	1170	0.20
	1000	0.24	1000	0.27		1395	0.25	1320	0.25
	1100	0.28	1100	0.32		1545	0.30	1445	0.30
	1200	0.33	1200	0.38		1675	0.35	1575	0.35
	1300	0.38	1300	0.43		1805	0.40	1710	0.40
	1400	0.43	1400	0.49		1925	0.45	1825	0.45
ED1P30/36B	525	0.05	410	0.05	2030	0.50	1915	0.50	
	660	0.08	495	0.08	ED1P50/60C	1395	0.17	1400	0.19
	795	0.10	580	0.10		1500	0.19	1500	0.22
	980	0.15	785	0.15		1605	0.21	1600	0.24
	1165	0.20	995	0.20		1700	0.24	1710	0.27
	1320	0.25	1155	0.25		1805	0.27	1800	0.31
	1475	0.30	1320	0.30		1905	0.29	1890	0.33
	1605	0.35	1465	0.35		2000	0.32	2000	0.36
	1735	0.40	1610	0.40		2105	0.35	2105	0.40
	1805	0.43	1730	0.45		2200	0.39	2190	0.45
1875	0.46	1850	0.50	ED1P60D		1395	0.17	1400	0.19
ED1P30/36C	600	0.06	600		0.07	1500	0.19	1500	0.22
	700	0.08	700		0.10	1605	0.21	1600	0.24
	800	0.10	800		0.13	1700	0.24	1710	0.27
	900	0.13	900		0.17	1805	0.27	1800	0.31
	1000	0.16	1000		0.21	1905	0.29	1890	0.33
	1100	0.19	1100		0.25	2000	0.32	2000	0.36
	1200	0.22	1200		0.29	2105	0.35	2105	0.40
	1300	0.26	1300	0.34	2200	0.39	2190	0.45	
1400	0.29	1400	0.38						

ED1P



NOTE - Liquid and Suction Line locations are reversed on ED1P24 and ED1P60 models.

Model Number	A	B	C	D	E	F	G	H	J	K
	in.	in.	in.	in.	in.	in.	in.	in.	in.	in.
ED1P18A	17-1/2	14-1/8	13-1/2	15-1/2	22-5/8	23-3/16	26-1/8	6 1/4	3	8 3/4
ED1P24A	17-1/2	14-1/8	13-1/2	15-1/2	22-5/8	23-3/16	26-1/8	5	5	8 3/4
ED1P24B	17-1/2	14-1/8	16-1/2	15-1/2	22-5/8	23-3/16	26-1/8	5	5	8 3/4
ED1P30/36A	17-1/2	16-1/8	13-1/2	15-1/2	22-5/8	23-3/16	26-1/8	6 1/8	3	8 3/4
ED1P30/36B	17-1/2	16-1/8	16-1/2	15-1/2	22-5/8	23-3/16	26-1/8	6 1/8	3	8 3/4
ED1P30/36C	21	16-1/8	20	19	22-5/8	23-3/16	26-1/8	6 1/8	3	10 1/2
ED1P48B	21	20	16-1/2	19	22-5/8	23-3/16	26-1/8	8 1/8	4	10 1/2
ED1P48C	21	20	20	19	22-5/8	23-3/16	26-1/8	8 1/8	4	10 1/2
ED1P50/60C	24-1/2	23-5/8	20	22-1/2	22-5/8	23-3/16	26-1/8	3 1/2	17-3/16	12 1/4
ED1P60D	24-1/2	23-5/8	23-1/2	22-1/2	22-5/8	23-3/16	26-1/8	3 1/2	17-3/16	12 1/4



1-800-448-5872

All specifications and illustrations subject to change without notice and without incurring obligations.