

4AC14B

PRODUCT SPECIFICATIONS

SPLIT SYSTEM AIR CONDITIONER
UP TO 16 SEER

FORM NO. 4AC14B-100 (03/2020)



COMPRESSOR

- High-efficiency scroll compressor
- R410A refrigerant
- Internally protected against high temperature motor overload conditions
- Heavy duty compressor sound blanket for quiet operation (optional accessory)

CABINET

- Metal wire guard construction to protect the coil
- Corner-mounted controls for easy service
- Baked polyester paint finished over galvanized steel for maximum durability
- 45-degree offset valves for easy service

COILS

- Omniguard™ total corrosion protection technology designed coil
- Enhanced tube-and-fin coil design featuring MHT™ Technology
- Lanced fins for maximum heat transfer
- Every coil factory tested for leakproof construction
- Raised coil prevents debris from impeding airflow

COMPONENTS

- Factory installed high pressure switch
- Thread-on pressure switches with Schrader core for simple, quick replacement
- Filter drier shipped loose for installation flexibility
- Fan orifice for smoother airflow and sound level reduction
- Charged for 15 feet of line set

WARRANTY

10 year limited warranty on compressor
10 year limited warranty on all parts, extended warranty available*

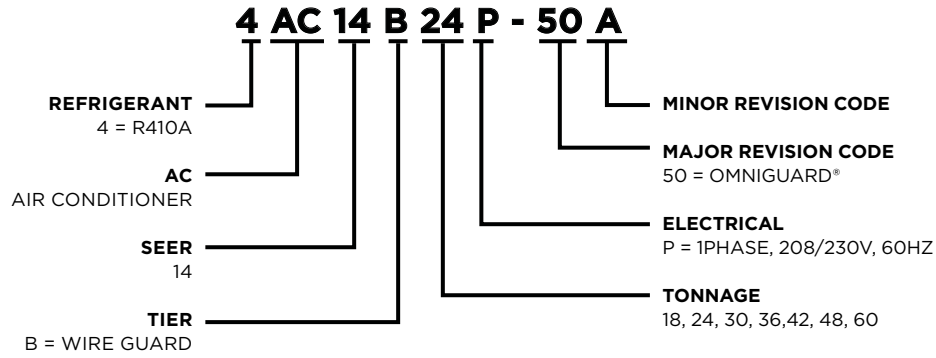
**Warranty provides for a total of 10 years of limited warranty coverage (Standard 5-year limited parts warranty plus an additional 5-year limited extended parts warranty). Warranty must be registered online within 60 days of installation to qualify for 10-year coverage. Unregistered equipment defaults to 5-year coverage. See full warranty at www.alliedair.com for terms, conditions and exclusions.*

NOTE:

For the latest AHRI system matches please visit www.alliedratings.com or www.AHRIdirectory.org



MODEL NUMBER GUIDE

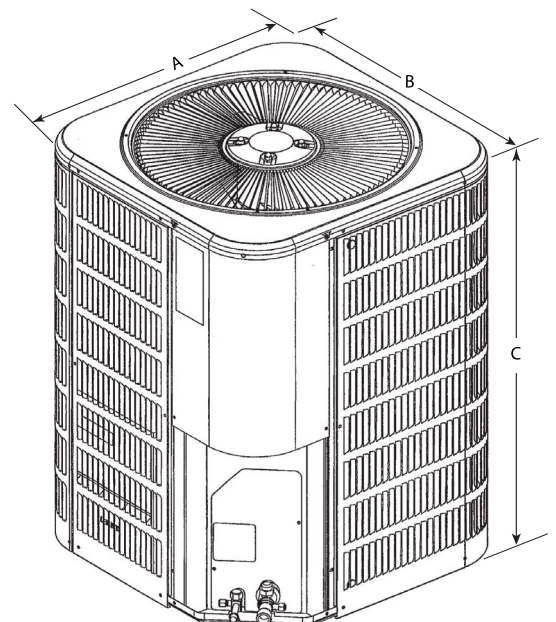


PHYSICAL AND ELECTRICAL DATA

| Model | Voltage/Hz/Phase | Voltage Range | Min. Circuit Amp. | Max. Over Current Device (amps) | Compressor | | Outdoor Fan Motor | | |
|--------------|------------------|---------------|-------------------|---------------------------------|-------------------|---------------------|-------------------|----------|----------|
| | | | | | Rated Load (amps) | Locked Rotor (amps) | Rated Load (amps) | Rated HP | Nom. RPM |
| 4AC14B18P-50 | 208-230/60/1 | 197-253 | 11.9 | 20 | 9 | 48 | 0.7 | 1/10 | 1075 |
| 4AC14B24P-50 | 208-230/60/1 | 197-253 | 14.6 | 25 | 10.9 | 59 | 1 | 1/6 | 825 |
| 4AC14B30P-50 | 208-230/60/1 | 197-253 | 17 | 25 | 12.8 | 68 | 1 | 1/6 | 825 |
| 4AC14B36P-50 | 208-230/60/1 | 197-253 | 18 | 30 | 13.6 | 79 | 1 | 1/6 | 825 |
| 4AC14B42P-50 | 208-230/60/1 | 197-253 | 23.4 | 40 | 17.9 | 112 | 1 | 1/6 | 825 |
| 4AC14B48P-50 | 208-230/60/1 | 197-253 | 24.2 | 40 | 18 | 117 | 1.7 | 1/4 | 825 |
| 4AC14B60P-50 | 208-230/60/1 | 197-253 | 29.6 | 50 | 22.2 | 128 | 1.8 | 1/3 | 825 |

UNIT DIMENSIONS (IN.)

| Model | Dimensions (inch) | | | Shipping Weight (lbs.) |
|--------------|-------------------|-----------|------------|------------------------|
| | A - Width | B - Depth | C - Height | |
| 4AC14B18P-50 | 24.25 | 24.25 | 29 | 155 |
| 4AC14B24P-50 | 28.25 | 28.25 | 29 | 171 |
| 4AC14B30P-50 | 28.25 | 28.25 | 37 | 187 |
| 4AC14B36P-50 | 28.25 | 28.25 | 29 | 205 |
| 4AC14B42P-50 | 28.25 | 28.25 | 37 | 234 |
| 4AC14B48P-50 | 28.25 | 28.25 | 37 | 255 |
| 4AC14B60P-50 | 32.25 | 32.25 | 43 | 284 |



*Note: Dimensions listed are unit sizes w/o packaging
Weights listed are unit weights with packaging*

SOUND RATINGS

| Model | Sound Power ¹ | Estimated Sound Pressure (dBA) ² | | |
|--------------|--------------------------|---|------------------------|------------------------|
| | | Approximate Distance ³ | | |
| | | 3.3 Feet (1 Meter) | 6.6 Feet (2 Meters) | 9.8 Feet (3 Meters) |
| 4AC14B18P-50 | 73 | 65 | 59 | 55 |
| 4AC14B24P-50 | 76 | 68 | 62 | 58 |
| 4AC14B30P-50 | 76 | 68 | 62 | 58 |
| 4AC14B36P-50 | 76 | 68 | 62 | 58 |
| 4AC14B42P-50 | 76 | 68 | 62 | 58 |
| 4AC14B48P-50 | 78 | 70 | 64 | 60 |
| 4AC14B60P-50 | 80 | 72 | 66 | 62 |

1 Rated in accordance with AHRI standard 270 (2015). AHRI Standard 270 establishes a method of rating outdoor unitary equipment in terms of Sound Power.
 2 Rated in accordance with AHRI standard 275 (2010). AHRI Standard 275 provides the calculations for estimating the A-Weighted Sound Pressure at a given distance from the equipment. That is a more useful number because that is what humans will hear.
 3 Based only on distance factor; other factors may change this value such as:
 - Unit location (reflective surfaces adjacent to the unit)
 - Barrier shielding sources
 - Sound path/elevation
 - Outside noise sources

ACCESSORIES

| System Accessory | Where Used | Kit Number | Purpose |
|---|----------------|-------------------|---|
| Liquid Line solenoid | All models | 60M52 | Prevents liquid migration to the compressor especially for high liquid riser applications |
| Low ambient (cooling operation) | All models | 34M72 | Enables cooling demand down to 30 °F. Will require freeze stat, CC heater and TXV. |
| Compressor Short Cycle protector | All models | 47J27 | Delays compressor start 5-7 minutes to prevent short cycling |
| Hard Start | 18 | 10J42 | Scroll compressors usually do not require hard start; maybe needed for utility brown-out or low voltage areas |
| Hard Start | 24 thru 60 | 88M91 | |
| Crankcase Heater | 18, 24, 30, 36 | 93M04 | Prevents liquid migration to compressor in cold weather |
| Crankcase Heater | 42 | 93M05 | |
| Crankcase Heater | 48, 60 | Factory Installed | |
| Sound Cover | 18, 24, 30, 36 | 14W00 | Lowers compressor sound level |
| Sound Cover | 42, 48, 60 | 14W01 | |
| Loss of Charge Kit | All models | 84M23 | Protects the compressor if refrigerant charge is too low |
| Additional System Accessories (indoor section) | | | |
| TXV Kit | 18, 24, 30 | H4TXV01 | TXVs provide superior refrigerant flow control, comfort and efficiency compared to pistons |
| | 36, 42, 48 | H4TXV02 | |
| | 60 | H4TXV03 | |
| Outdoor Thermostat - electric heat | All models | 10Z23 | Prevents electric heat operation above specific ambient conditions |
| Outdoor Thermostat - Mounting box | All models | 31461 | Mounting box for outdoor thermostat |
| Freeze stat | All models | 93G35 | Protects the compressor at low suction pressure conditions |
| Over flow switch | All models | 11U75 | Turn the system off, if condensate water overflows due to clogged drain pipes |
| Blower time delay | All models | 58M81 | Improves system efficiency and comfort |
| Single point power supply | All models | 21H39 | Provide single power source in one junction box |
| Auxiliary blower relay | All models | 85W66 | Maybe required to select multiple indoor blower speeds |

REFRIGERATION DATA

| Model | Refrig. Charge (oz.) * | Piston Size | TXV | Refrigerant Line Size | | Outdoor Unit Connection | | Indoor Unit Connection | |
|--------------|------------------------|-------------|---------|-----------------------|--------|-------------------------|--------|------------------------|--------|
| | | | | Suction | Liquid | Suction | Liquid | Suction | Liquid |
| 4AC14B18P-50 | 73 | 0.052 | H4TXV01 | 3/4 | 3/8 | 3/4 | 3/8 | 3/4 | 3/8 |
| 4AC14B24P-50 | 73 | 0.060 | H4TXV01 | 3/4 | 3/8 | 3/4 | 3/8 | 3/4 | 3/8 |
| 4AC14B30P-50 | 88 | 0.067 | H4TXV01 | 3/4 | 3/8 | 3/4 | 3/8 | 3/4 | 3/8 |
| 4AC14B36P-50 | 113 | 0.072 | H4TXV02 | 7/8 | 3/8 | 7/8 | 3/8 | 7/8 | 3/8 |
| 4AC14B42P-50 | 140 | 0.081 | H4TXV02 | 7/8 | 3/8 | 7/8 | 3/8 | 7/8 | 3/8 |
| 4AC14B48P-50 | 156 | 0.083 | H4TXV02 | 7/8 | 3/8 | 7/8 | 3/8 | 7/8 | 3/8 |
| 4AC14B60P-50 | 192 | 0.097 | H4TXV03 | 1 1/8 | 3/8 | 7/8 ** | 3/8 | 7/8 | 3/8 |

*Factory charged for 15 feet of line set

** Adapter shipped with unit

COOLING PERFORMANCE WITH DTC¹

| Outdoor Model | Indoor Model | Capacity (BTUH) | EER | SEER |
|---------------|--------------|-----------------|-------|-------|
| 4AC14B18P-50 | EAC4X24B | 18,000 | 12.20 | 14.00 |
| 4AC14B24P-50 | EAC4X24B | 24,000 | 12.20 | 14.25 |
| 4AC14B30P-50 | EAC4X30B | 28,400 | 12.20 | 14.00 |
| 4AC14B36P-50 | EAC4X36B | 34,000 | 12.20 | 14.25 |
| 4AC14B42P-50 | EAC4X49C | 40,000 | 12.20 | 14.00 |
| 4AC14B48P-50 | EAC4X60C | 46,000 | 12.20 | 14.00 |
| 4AC14B60P-50 | EAC4X60C | 58,000 | 11.70 | 14.00 |

¹ DTC = Designated Tested Combination

NOTE:

For the latest AHRI system matches please visit www.alliedratings.com or www.AHRIdirectory.org

COOLING PERFORMANCE EXTENDED RATINGS

Note: Shaded area is AHRI Rating Conditions

| Indoor Wet Bulb Temperature | | Outdoor Air Temperature Entering Outdoor Coil | | | | | | | | | | | | | | | | | | | | | | | | | | | | | | | | |
|--------------------------------|------|---|-------------|-------------|-------------------------------|-------------|-------------|-------------------|-------|-------------|-------------------------------|-------------|-------|-------------------|-------------|-------------|------------------------|-------------|-------------|-------------------------------|-------|-------------|-------------------|-------------|-------|------------------------|-------------|-------------|-------------------------------|-------------|-------------|-------------------|--|--|
| | | 85° F (29.4° C) | | | | | | 95° F (35° C) | | | | | | 105° F (40.6° C) | | | | | | 115° F (46.1° C) | | | | | | 125° F (51.7° C) | | | | | | | | |
| | | Total Cooling Capacity | | | Sensible To Total Ratio (S/T) | | | Comp. Motor Watts | | | Sensible To Total Ratio (S/T) | | | Comp. Motor Watts | | | Total Cooling Capacity | | | Sensible To Total Ratio (S/T) | | | Comp. Motor Watts | | | Total Cooling Capacity | | | Sensible To Total Ratio (S/T) | | | Comp. Motor Watts | | |
| | | kBTuh | 80°F 26.7°C | 85°F 29.4°C | Input | 75°F 23.9°C | 80°F 26.7°C | 85°F 29.4°C | kBTuh | 75°F 23.9°C | 80°F 26.7°C | 85°F 29.4°C | Input | 75°F 23.9°C | 80°F 26.7°C | 85°F 29.4°C | kBTuh | 75°F 23.9°C | 80°F 26.7°C | 85°F 29.4°C | Input | 75°F 23.9°C | 80°F 26.7°C | 85°F 29.4°C | kBTuh | 75°F 23.9°C | 80°F 26.7°C | 85°F 29.4°C | Input | 75°F 23.9°C | 80°F 26.7°C | 85°F 29.4°C | | |
| 4AC14B18P-50 - EAC4X24A | | 525 | 18.3 | 1050 | .93 | 1.00 | 1.00 | 177 | 1190 | .95 | 1.00 | 1.00 | 16.9 | 1340 | .98 | 1.00 | 1.00 | 16.0 | 1510 | 1.00 | 1.00 | 1.00 | 15.1 | 1700 | 1.00 | 1.00 | 1.00 | 1700 | 1.00 | 1.00 | 1.00 | | | |
| | | 660 | 19.7 | 1050 | 1.00 | 1.00 | 18.9 | 1190 | 1.00 | 1.00 | 1.00 | 18.1 | 1340 | 1.00 | 1.00 | 1.00 | 17.2 | 1510 | 1.00 | 1.00 | 1.00 | 16.1 | 1700 | 1.00 | 1.00 | 1.00 | 1700 | 1.00 | 1.00 | 1.00 | | | | |
| | | 675 | 19.9 | 1050 | 1.00 | 1.00 | 19.1 | 1190 | 1.00 | 1.00 | 1.00 | 18.2 | 1340 | 1.00 | 1.00 | 1.00 | 17.2 | 1510 | 1.00 | 1.00 | 1.00 | 16.2 | 1700 | 1.00 | 1.00 | 1.00 | 1700 | 1.00 | 1.00 | 1.00 | | | | |
| | | 525 | 19.0 | 1050 | .76 | .89 | 1.00 | 18.1 | 1190 | .77 | .92 | 1.00 | 17.2 | 1340 | .79 | .94 | 1.00 | 16.2 | 1510 | .82 | .97 | 1.00 | 15.1 | 1700 | .84 | 1.00 | 1.00 | 1700 | .84 | 1.00 | 1.00 | | | |
| | | 660 | 20.0 | 1040 | .81 | .97 | 1.00 | 19.0 | 1190 | .83 | .99 | 1.00 | 18.1 | 1340 | .86 | 1.00 | 1.00 | 17.2 | 1510 | .88 | 1.00 | 1.00 | 16.1 | 1700 | .92 | 1.00 | 1.00 | 1700 | .92 | 1.00 | 1.00 | | | |
| | | 675 | 20.0 | 1040 | .82 | .98 | 1.00 | 19.1 | 1190 | .84 | 1.00 | 1.00 | 18.2 | 1340 | .86 | 1.00 | 1.00 | 17.3 | 1510 | .89 | 1.00 | 1.00 | 16.2 | 1700 | .92 | 1.00 | 1.00 | 1700 | .92 | 1.00 | 1.00 | | | |
| | | 525 | 20.0 | 1040 | .61 | .73 | .86 | 19.1 | 1190 | .61 | .75 | .88 | 18.2 | 1340 | .63 | .77 | .91 | 17.1 | 1510 | .64 | .79 | .94 | 16.0 | 1700 | .66 | .82 | .97 | 1700 | .66 | .82 | .97 | | | |
| | | 660 | 21.0 | 1040 | .64 | .79 | .94 | 20.0 | 1190 | .65 | .81 | .96 | 19.1 | 1340 | .66 | .83 | .99 | 17.9 | 1510 | .68 | .86 | 1.00 | 16.7 | 1710 | .70 | .89 | 1.00 | 1710 | .70 | .89 | 1.00 | | | |
| | | 675 | 21.0 | 1040 | .65 | .80 | .95 | 20.2 | 1190 | .66 | .82 | .97 | 19.1 | 1340 | .67 | .84 | .99 | 18.0 | 1510 | .69 | .86 | 1.00 | 16.8 | 1710 | .71 | .90 | 1.00 | 1710 | .71 | .90 | 1.00 | | | |
| | | 525 | 21.2 | 1040 | .47 | .59 | .71 | 20.2 | 1190 | .47 | .60 | .72 | 19.2 | 1340 | .48 | .61 | .74 | 18.1 | 1510 | .48 | .63 | .77 | 16.9 | 1710 | .49 | .64 | .79 | 1710 | .49 | .64 | .79 | | | |
| 660 | 22.2 | 1030 | .49 | .63 | .77 | 21.2 | 1190 | .49 | .64 | .79 | 20.0 | 1350 | .50 | .66 | .81 | 18.9 | 1520 | .51 | .67 | .83 | 17.6 | 1710 | .52 | .69 | .86 | 1710 | .52 | .69 | .86 | | | | | |
| 675 | 22.2 | 1030 | .49 | .63 | .77 | 21.2 | 1190 | .49 | .64 | .79 | 20.0 | 1350 | .50 | .66 | .81 | 19.0 | 1520 | .51 | .67 | .84 | 17.7 | 1710 | .51 | .69 | .87 | 1710 | .51 | .69 | .87 | | | | | |
| 4AC14B24P-50 - EAC4X24B | | 700 | 23.4 | 1360 | .93 | 1.00 | 22.6 | 1530 | .96 | 1.00 | 1.00 | 21.6 | 1730 | .98 | 1.00 | 1.00 | 20.6 | 1990 | 1.00 | 1.00 | 1.00 | 19.3 | 2320 | 1.00 | 1.00 | 1.00 | 2320 | 1.00 | 1.00 | 1.00 | | | | |
| | | 800 | 24.6 | 1340 | .97 | 1.00 | 23.6 | 1520 | .99 | 1.00 | 1.00 | 22.6 | 1730 | 1.00 | 1.00 | 1.00 | 21.4 | 1970 | 1.00 | 1.00 | 1.00 | 20.0 | 2300 | 1.00 | 1.00 | 1.00 | 2300 | 1.00 | 1.00 | 1.00 | | | | |
| | | 900 | 25.4 | 1330 | 1.00 | 1.00 | 24.4 | 1510 | 1.00 | 1.00 | 1.00 | 23.4 | 1710 | 1.00 | 1.00 | 1.00 | 22.2 | 1960 | 1.00 | 1.00 | 1.00 | 20.8 | 2290 | 1.00 | 1.00 | 1.00 | 2290 | 1.00 | 1.00 | 1.00 | | | | |
| | | 700 | 24.4 | 1350 | .76 | .90 | 1.00 | 23.2 | 1520 | .78 | .92 | 1.00 | 22.0 | 1730 | .80 | .95 | 1.00 | 20.8 | 1980 | .82 | .98 | 1.00 | 19.3 | 2310 | .85 | 1.00 | 1.00 | 2310 | .85 | 1.00 | 1.00 | | | |
| | | 800 | 25.2 | 1340 | .79 | .94 | 1.00 | 24.0 | 1520 | .81 | .96 | 1.00 | 22.8 | 1720 | .83 | .99 | 1.00 | 21.4 | 1970 | .86 | 1.00 | 1.00 | 20.2 | 2300 | .89 | 1.00 | 1.00 | 2300 | .89 | 1.00 | 1.00 | | | |
| | | 900 | 25.8 | 1330 | .82 | .98 | 1.00 | 24.6 | 1510 | .84 | 1.00 | 1.00 | 23.4 | 1710 | .86 | 1.00 | 1.00 | 22.2 | 1970 | .89 | 1.00 | 1.00 | 20.8 | 2280 | .93 | 1.00 | 1.00 | 2280 | .93 | 1.00 | 1.00 | | | |
| | | 700 | 26.0 | 1330 | .60 | .73 | .86 | 24.8 | 1510 | .62 | .75 | .88 | 23.4 | 1710 | .63 | .77 | .91 | 22.0 | 1960 | .64 | .79 | .94 | 20.6 | 2300 | .66 | .82 | .98 | 2300 | .66 | .82 | .98 | | | |
| | | 800 | 26.6 | 1320 | .63 | .77 | .90 | 25.4 | 1500 | .63 | .78 | .93 | 24.2 | 1700 | .65 | .81 | .95 | 22.6 | 1950 | .67 | .83 | .99 | 21.0 | 2280 | .68 | .86 | 1.00 | 2280 | .68 | .86 | 1.00 | | | |
| | | 900 | 27.2 | 1310 | .64 | .80 | .94 | 26.0 | 1490 | .66 | .81 | .97 | 24.6 | 1690 | .67 | .84 | 1.00 | 23.2 | 1950 | .69 | .87 | 1.00 | 21.4 | 2280 | .71 | .90 | 1.00 | 2280 | .71 | .90 | 1.00 | | | |
| | | 700 | 27.4 | 1310 | .47 | .59 | .71 | 26.2 | 1490 | .47 | .60 | .72 | 24.8 | 1690 | .48 | .61 | .74 | 23.4 | 1940 | .48 | .63 | .77 | 21.8 | 2260 | .49 | .64 | .79 | 2260 | .49 | .64 | .79 | | | |
| 800 | 28.2 | 1300 | .47 | .61 | .74 | 27.0 | 1470 | .48 | .62 | .76 | 25.6 | 1680 | .49 | .63 | .78 | 24.0 | 1930 | .49 | .65 | .80 | 22.4 | 2250 | .50 | .67 | .83 | 2250 | .50 | .67 | .83 | | | | | |
| 900 | 29.0 | 1290 | .48 | .63 | .77 | 27.6 | 1470 | .49 | .64 | .79 | 26.2 | 1670 | .50 | .66 | .81 | 24.6 | 1910 | .50 | .67 | .84 | 22.8 | 2250 | .52 | .70 | .87 | 2250 | .52 | .70 | .87 | | | | | |

COOLING PERFORMANCE EXTENDED RATINGS

Note: Shaded area is AHRI Rating Conditions

| Indoor Wet Bulb Temperature | | Outdoor Air Temperature Entering Outdoor Coil | | | | | | | | | | | | | | | | | | | | | | | |
|--------------------------------|---------------------------------|---|--|---------------------------------|----------------------------|--|---------------------------------|--|--|---------------------------------|----------------------------|--|---------------------------------|--|--|--|----------------------------|--|---------------------------------|----------------------------|--|--|----------------------------|--|------|
| | | 85° F (29.4° C) | | | | 95° F (35° C) | | | | 105° F (40.6° C) | | | | 115° F (46.1° C) | | | | 125° F (51.7° C) | | | | | | | |
| | | Total Cooling Capacity kBTuh | | Comp. Motor Watts Input | | Sensible To Total Ratio (S/T) Indoor Dry Bulb | | Sensible To Total Ratio (S/T) Indoor Dry Bulb | | Total Cooling Capacity kBTuh | | Comp. Motor Watts Input | | Sensible To Total Ratio (S/T) Indoor Dry Bulb | | Sensible To Total Ratio (S/T) Indoor Dry Bulb | | Total Cooling Capacity kBTuh | | Comp. Motor Watts Input | | Sensible To Total Ratio (S/T) Indoor Dry Bulb | | Sensible To Total Ratio (S/T) Indoor Dry Bulb | |
| | | | | | | | | | | | | | | | | | | | | | | | | | |
| cfm | Total Cooling Capacity kBTuh | Comp. Motor Watts Input | Sensible To Total Ratio (S/T) Indoor Dry Bulb | Total Cooling Capacity kBTuh | Comp. Motor Watts Input | Sensible To Total Ratio (S/T) Indoor Dry Bulb | Total Cooling Capacity kBTuh | Comp. Motor Watts Input | Sensible To Total Ratio (S/T) Indoor Dry Bulb | Total Cooling Capacity kBTuh | Comp. Motor Watts Input | Sensible To Total Ratio (S/T) Indoor Dry Bulb | Total Cooling Capacity kBTuh | Comp. Motor Watts Input | Sensible To Total Ratio (S/T) Indoor Dry Bulb | Total Cooling Capacity kBTuh | Comp. Motor Watts Input | Sensible To Total Ratio (S/T) Indoor Dry Bulb | Total Cooling Capacity kBTuh | Comp. Motor Watts Input | Sensible To Total Ratio (S/T) Indoor Dry Bulb | Total Cooling Capacity kBTuh | Comp. Motor Watts Input | Sensible To Total Ratio (S/T) Indoor Dry Bulb | |
| 4AC14B30P-50 - EAC4X30B | | | | | | | | | | | | | | | | | | | | | | | | | |
| 59°F (15°C) | 875 | 28.0 | 1510 | .94 | 1.00 | 1.00 | 26.8 | 1720 | .97 | 1.00 | 1.00 | .99 | 1.00 | 1.00 | 24.2 | 2250 | 1.00 | 1.00 | 1.00 | 22.4 | 2570 | 1.00 | 1.00 | 1.00 | 1.00 |
| | 1000 | 29.2 | 1510 | .98 | 1.00 | 1.00 | 28.0 | 1730 | 1.00 | 1.00 | 1.00 | 1.00 | 1.00 | 1.00 | 25.2 | 2260 | 1.00 | 1.00 | 1.00 | 23.4 | 2580 | 1.00 | 1.00 | 1.00 | 1.00 |
| | 1125 | 30.2 | 1510 | 1.00 | 1.00 | 1.00 | 29.0 | 1730 | 1.00 | 1.00 | 1.00 | 1.00 | 1.00 | 1.00 | 26.0 | 2270 | 1.00 | 1.00 | 1.00 | 24.2 | 2590 | 1.00 | 1.00 | 1.00 | 1.00 |
| 63°F (17.2°C) | 875 | 29.0 | 1510 | .77 | .91 | 1.00 | 27.6 | 1730 | .79 | .93 | 1.00 | .81 | .96 | 1.00 | 24.4 | 2260 | .83 | .99 | 1.00 | 22.4 | 2570 | .87 | .91 | 1.00 | 1.00 |
| | 1000 | 29.8 | 1510 | .80 | .95 | 1.00 | 28.4 | 1730 | .82 | .97 | 1.00 | .84 | .96 | 1.00 | 25.2 | 2260 | .87 | 1.00 | 1.00 | 23.4 | 2580 | .91 | 1.00 | 1.00 | 1.00 |
| | 1125 | 30.6 | 1520 | .83 | .99 | 1.00 | 29.2 | 1740 | .84 | 1.00 | 1.00 | .87 | 1.00 | 1.00 | 26.0 | 2270 | .91 | 1.00 | 1.00 | 24.2 | 2590 | .95 | 1.00 | 1.00 | 1.00 |
| 67°F (19.4°C) | 875 | 30.8 | 1520 | .61 | .74 | .87 | 29.4 | 1740 | .62 | .76 | .89 | .63 | .78 | .92 | 26.0 | 2270 | .65 | .81 | .96 | 23.8 | 2580 | .67 | .84 | 1.00 | 1.00 |
| | 1000 | 31.6 | 1520 | .63 | .77 | .91 | 30.2 | 1740 | .64 | .79 | .94 | .65 | .81 | .96 | 26.6 | 2280 | .67 | .85 | 1.00 | 24.4 | 2590 | .70 | .88 | 1.00 | 1.00 |
| | 1125 | 32.4 | 1530 | .65 | .80 | .95 | 30.8 | 1750 | .66 | .82 | .98 | .67 | .85 | 1.00 | 27.0 | 2290 | .70 | .88 | 1.00 | 24.8 | 2590 | .73 | .93 | 1.00 | 1.00 |
| 71°F (21.7°C) | 875 | 32.6 | 1530 | .47 | .59 | .71 | 31.2 | 1750 | .47 | .60 | .73 | .48 | .62 | .75 | 27.6 | 2290 | .49 | .63 | .78 | 25.4 | 2610 | .50 | .65 | .81 | .88 |
| | 1000 | 33.6 | 1540 | .48 | .62 | .75 | 32.0 | 1760 | .48 | .63 | .76 | .49 | .64 | .79 | 28.2 | 2300 | .50 | .66 | .81 | 26.0 | 2620 | .51 | .68 | .85 | .93 |
| | 1125 | 34.2 | 1540 | .49 | .63 | .78 | 32.8 | 1770 | .49 | .65 | .80 | .50 | .66 | .82 | 28.8 | 2300 | .51 | .68 | .85 | 26.6 | 2630 | .52 | .71 | .88 | .96 |
| 4AC14B36P-50 - EAC4X36B | | | | | | | | | | | | | | | | | | | | | | | | | |
| 59°F (15°C) | 1050 | 33.8 | 1910 | .92 | 1.00 | 1.00 | 32.6 | 2160 | .94 | 1.00 | 1.00 | .96 | 1.00 | 1.00 | 29.6 | 2820 | .99 | 1.00 | 1.00 | 27.8 | 3300 | 1.00 | 1.00 | 1.00 | 1.00 |
| | 1200 | 35.2 | 1900 | .96 | 1.00 | 1.00 | 34.0 | 2160 | .98 | 1.00 | 1.00 | 1.00 | 1.00 | 1.00 | 30.8 | 2830 | 1.00 | 1.00 | 1.00 | 28.8 | 3300 | 1.00 | 1.00 | 1.00 | 1.00 |
| | 1350 | 36.4 | 1900 | .99 | 1.00 | 1.00 | 35.0 | 2160 | 1.00 | 1.00 | 1.00 | 1.00 | 1.00 | 1.00 | 31.8 | 2830 | 1.00 | 1.00 | 1.00 | 29.6 | 3300 | 1.00 | 1.00 | 1.00 | 1.00 |
| 63°F (17.2°C) | 1050 | 35.2 | 1900 | .75 | .88 | 1.00 | 33.8 | 2160 | .76 | .90 | 1.00 | .78 | .93 | 1.00 | 30.2 | 2820 | .80 | .96 | 1.00 | 27.8 | 3290 | .82 | .99 | 1.00 | 1.00 |
| | 1200 | 36.2 | 1900 | .77 | .92 | 1.00 | 34.6 | 2160 | .79 | .94 | 1.00 | .80 | .97 | 1.00 | 31.0 | 2830 | .83 | 1.00 | 1.00 | 28.8 | 3300 | .86 | 1.00 | 1.00 | 1.00 |
| | 1350 | 37.0 | 1900 | .80 | .96 | 1.00 | 35.4 | 2160 | .81 | .98 | 1.00 | .83 | 1.00 | 1.00 | 31.8 | 2830 | .86 | 1.00 | 1.00 | 29.6 | 3310 | .90 | 1.00 | 1.00 | 1.00 |
| 67°F (19.4°C) | 1050 | 37.0 | 1900 | .59 | .72 | .85 | 35.6 | 2160 | .60 | .74 | .87 | .61 | .75 | .89 | 31.8 | 2830 | .62 | .77 | .92 | 29.4 | 3300 | .63 | .80 | .96 | 1.00 |
| | 1200 | 38.0 | 1900 | .61 | .75 | .89 | 36.4 | 2160 | .62 | .76 | .91 | .63 | .78 | .93 | 32.6 | 2830 | .64 | .80 | .97 | 30.2 | 3300 | .65 | .83 | 1.00 | 1.00 |
| | 1350 | 39.0 | 1900 | .62 | .78 | .93 | 37.2 | 2170 | .63 | .79 | .95 | .64 | .81 | .97 | 33.2 | 2830 | .65 | .83 | 1.00 | 30.8 | 3300 | .68 | .87 | 1.00 | 1.00 |
| 71°F (21.7°C) | 1050 | 38.5 | 1900 | .45 | .58 | .70 | 37.0 | 2160 | .46 | .58 | .71 | .46 | .59 | .73 | 33.4 | 2840 | .46 | .61 | .75 | 31.0 | 3320 | .47 | .63 | .77 | .84 |
| | 1200 | 40.0 | 1900 | .46 | .59 | .73 | 38.0 | 2170 | .46 | .60 | .74 | .46 | .62 | .76 | 34.2 | 2850 | .47 | .63 | .78 | 31.6 | 3320 | .48 | .64 | .81 | .88 |
| | 1350 | 40.5 | 1910 | .47 | .61 | .75 | 39.0 | 2170 | .47 | .62 | .77 | .48 | .63 | .79 | 34.8 | 2860 | .48 | .64 | .82 | 32.2 | 3330 | .49 | .67 | .84 | .91 |

COOLING PERFORMANCE EXTENDED RATINGS

Note: Shaded area is AHRI Rating Conditions

| Indoor Wet Bulb Temperature | | Outdoor Air Temperature Entering Outdoor Coil | | | | | | | | | | | | | | | | | | | | | | | | | | | | | | | | |
|--------------------------------|--|---|-------|-------------|-------------------------------|-------------|-------------|-------------------|-------|-------------|-------------------------------|-------------|-------|-------------------|-------------|-------------|------------------------|-------|-------|-------------------------------|-------------|-------------|-------------------|-------|-------------|------------------------|-------------|-------|-------------------------------|-------------|-------------|-------------------|--|--|
| | | 85° F (29.4° C) | | | | | | 95° F (35° C) | | | | | | 105° F (40.6° C) | | | | | | 115° F (46.1° C) | | | | | | 125° F (51.7° C) | | | | | | | | |
| | | Total Cooling Capacity | | | Sensible To Total Ratio (S/T) | | | Comp. Motor Watts | | | Sensible To Total Ratio (S/T) | | | Comp. Motor Watts | | | Total Cooling Capacity | | | Sensible To Total Ratio (S/T) | | | Comp. Motor Watts | | | Total Cooling Capacity | | | Sensible To Total Ratio (S/T) | | | Comp. Motor Watts | | |
| | | kBtuh | Input | 85°F 26.7°C | 80°F 26.7°C | 75°F 23.9°C | 85°F 29.4°C | kBtuh | Input | 85°F 29.4°C | 80°F 26.7°C | 75°F 23.9°C | kBtuh | Input | 85°F 29.4°C | 80°F 26.7°C | 75°F 23.9°C | kBtuh | Input | 85°F 29.4°C | 80°F 26.7°C | 75°F 23.9°C | kBtuh | Input | 85°F 29.4°C | 80°F 26.7°C | 75°F 23.9°C | kBtuh | Input | 85°F 29.4°C | 80°F 26.7°C | 75°F 23.9°C | | |
| 4AC14B42P-50 - EAC4X49C | | 1225 | 40.5 | 2340 | .94 | 1.00 | 1.00 | 1.00 | .97 | 1.00 | 1.00 | 39.0 | 2640 | .97 | 1.00 | 1.00 | 37.2 | 2950 | .99 | 1.00 | 1.00 | 35.4 | 3320 | 1.00 | 1.00 | 1.00 | 33.6 | 3770 | 1.00 | 1.00 | 1.00 | | | |
| | | 1400 | 42.0 | 2350 | .99 | 1.00 | 1.00 | 40.5 | 2640 | 1.00 | 1.00 | 1.00 | 39.0 | 2960 | 1.00 | 1.00 | 1.00 | 36.8 | 3320 | 1.00 | 1.00 | 1.00 | 36.8 | 3320 | 1.00 | 1.00 | 1.00 | 34.8 | 3760 | 1.00 | 1.00 | 1.00 | | |
| | | 1575 | 43.5 | 2350 | 1.00 | 1.00 | 1.00 | 42.0 | 2650 | 1.00 | 1.00 | 1.00 | 40.0 | 2950 | 1.00 | 1.00 | 1.00 | 38.0 | 3310 | 1.00 | 1.00 | 1.00 | 38.0 | 3310 | 1.00 | 1.00 | 1.00 | 35.8 | 3760 | 1.00 | 1.00 | 1.00 | | |
| | | 1225 | 41.5 | 2350 | .77 | .91 | 1.00 | 40.0 | 2640 | .79 | .93 | 1.00 | 37.8 | 2950 | .81 | .96 | 1.00 | 35.6 | 3310 | .83 | .99 | 1.00 | 33.4 | 3760 | .86 | 1.00 | 1.00 | 33.4 | 3760 | .86 | 1.00 | 1.00 | | |
| | | 1400 | 43.0 | 2350 | .80 | .95 | 1.00 | 41.0 | 2640 | .82 | .98 | 1.00 | 39.0 | 2960 | .84 | 1.00 | 1.00 | 36.8 | 3320 | .87 | 1.00 | 1.00 | 34.8 | 3760 | .90 | 1.00 | 1.00 | 34.8 | 3760 | .90 | 1.00 | 1.00 | | |
| | | 1575 | 44.0 | 2350 | .83 | .99 | 1.00 | 42.0 | 2640 | .85 | 1.00 | 1.00 | 40.0 | 2960 | .88 | 1.00 | 1.00 | 38.0 | 3310 | .91 | 1.00 | 1.00 | 35.8 | 3750 | .94 | 1.00 | 1.00 | 35.8 | 3750 | .94 | 1.00 | 1.00 | | |
| | | 1225 | 44.0 | 2350 | .61 | .75 | .88 | 42.0 | 2640 | .63 | .76 | .90 | 40.0 | 2950 | .64 | .78 | .93 | 37.4 | 3310 | .65 | .81 | .96 | 35.2 | 3750 | .67 | .83 | .99 | 35.2 | 3750 | .67 | .83 | .99 | | |
| | | 1400 | 45.5 | 2360 | .64 | .78 | .92 | 43.0 | 2650 | .65 | .80 | .94 | 41.0 | 2950 | .66 | .82 | .97 | 38.5 | 3310 | .68 | .85 | 1.00 | 36.0 | 3750 | .70 | .88 | 1.00 | 36.0 | 3750 | .70 | .88 | 1.00 | | |
| | | 1575 | 46.5 | 2360 | .65 | .81 | .96 | 44.0 | 2650 | .67 | .83 | .98 | 42.0 | 2950 | .68 | .85 | 1.00 | 39.0 | 3300 | .70 | .88 | 1.00 | 36.6 | 3740 | .72 | .92 | 1.00 | 36.6 | 3740 | .72 | .92 | 1.00 | | |
| | | 1225 | 46.0 | 2360 | .47 | .60 | .72 | 44.0 | 2650 | .47 | .61 | .74 | 42.0 | 2950 | .48 | .62 | .76 | 39.5 | 3300 | .49 | .64 | .78 | 37.0 | 3740 | .50 | .66 | .81 | 37.0 | 3740 | .50 | .66 | .81 | | |
| | | 1400 | 47.5 | 2360 | .48 | .62 | .75 | 45.5 | 2650 | .49 | .63 | .77 | 43.0 | 2950 | .50 | .65 | .80 | 40.5 | 3300 | .50 | .66 | .82 | 37.8 | 3730 | .52 | .69 | .85 | 37.8 | 3730 | .52 | .69 | .85 | | |
| | | 1575 | 48.5 | 2360 | .49 | .64 | .79 | 46.5 | 2640 | .50 | .65 | .81 | 44.0 | 2950 | .50 | .67 | .83 | 41.0 | 3290 | .50 | .69 | .86 | 38.5 | 3720 | .52 | .71 | .90 | 38.5 | 3720 | .52 | .71 | .90 | | |
| 4AC14B48P-50 - EAC4X60C | | 1400 | 46.0 | 2520 | .95 | 1.00 | 1.00 | 1.00 | .97 | 1.00 | 1.00 | 44.5 | 2850 | .97 | 1.00 | 1.00 | 42.5 | 3230 | .99 | 1.00 | 1.00 | 40.5 | 3650 | 1.00 | 1.00 | 1.00 | 38.0 | 4110 | 1.00 | 1.00 | 1.00 | | | |
| | | 1600 | 48.0 | 2520 | .99 | 1.00 | 1.00 | 46.0 | 2860 | 1.00 | 1.00 | 1.00 | 44.0 | 3230 | 1.00 | 1.00 | 1.00 | 42.0 | 3640 | 1.00 | 1.00 | 1.00 | 42.0 | 3640 | 1.00 | 1.00 | 1.00 | 39.5 | 4120 | 1.00 | 1.00 | 1.00 | | |
| | | 1800 | 49.5 | 2520 | 1.00 | 1.00 | 1.00 | 48.0 | 2860 | 1.00 | 1.00 | 1.00 | 45.5 | 3230 | 1.00 | 1.00 | 1.00 | 43.5 | 3660 | 1.00 | 1.00 | 1.00 | 41.0 | 4120 | 1.00 | 1.00 | 1.00 | 41.0 | 4120 | 1.00 | 1.00 | 1.00 | | |
| | | 1400 | 47.5 | 2520 | .77 | .91 | 1.00 | 45.0 | 2850 | .79 | .94 | 1.00 | 43.0 | 3230 | .81 | .96 | 1.00 | 40.5 | 3650 | .83 | .99 | 1.00 | 38.0 | 4120 | .86 | 1.00 | 1.00 | 38.0 | 4120 | .86 | 1.00 | 1.00 | | |
| | | 1600 | 48.5 | 2520 | .81 | .96 | 1.00 | 46.5 | 2860 | .83 | .99 | 1.00 | 44.0 | 3230 | .85 | 1.00 | 1.00 | 42.0 | 3650 | .87 | 1.00 | 1.00 | 40.0 | 4120 | .90 | 1.00 | 1.00 | 40.0 | 4120 | .90 | 1.00 | 1.00 | | |
| | | 1800 | 50.0 | 2530 | .84 | 1.00 | 1.00 | 48.0 | 2860 | .86 | 1.00 | 1.00 | 45.5 | 3240 | .88 | 1.00 | 1.00 | 43.5 | 3660 | .91 | 1.00 | 1.00 | 41.0 | 4120 | .95 | 1.00 | 1.00 | 41.0 | 4120 | .95 | 1.00 | 1.00 | | |
| | | 1400 | 50.0 | 2520 | .61 | .75 | .88 | 47.5 | 2860 | .63 | .77 | .90 | 45.5 | 3230 | .64 | .79 | .93 | 43.0 | 3660 | .65 | .81 | .96 | 40.0 | 4110 | .66 | .83 | .99 | 40.0 | 4110 | .66 | .83 | .99 | | |
| | | 1600 | 51.5 | 2520 | .64 | .79 | .93 | 49.0 | 2860 | .65 | .80 | .95 | 46.5 | 3240 | .66 | .82 | .98 | 44.0 | 3650 | .68 | .85 | 1.00 | 41.0 | 4120 | .69 | .88 | 1.00 | 41.0 | 4120 | .69 | .88 | 1.00 | | |
| | | 1800 | 52.5 | 2520 | .66 | .82 | .97 | 50.0 | 2870 | .66 | .84 | 1.00 | 47.5 | 3240 | .68 | .86 | 1.00 | 45.0 | 3660 | .70 | .89 | 1.00 | 42.0 | 4120 | .72 | .92 | 1.00 | 42.0 | 4120 | .72 | .92 | 1.00 | | |
| | | 1400 | 52.5 | 2530 | .47 | .60 | .72 | 50.5 | 2870 | .47 | .61 | .74 | 48.0 | 3250 | .48 | .62 | .76 | 45.0 | 3660 | .49 | .64 | .78 | 42.5 | 4120 | .50 | .65 | .81 | 42.5 | 4120 | .50 | .65 | .81 | | |
| | | 1600 | 54.0 | 2530 | .48 | .63 | .76 | 51.5 | 2870 | .49 | .64 | .78 | 49.0 | 3250 | .49 | .65 | .80 | 46.0 | 3670 | .50 | .66 | .82 | 43.0 | 4120 | .51 | .68 | .85 | 43.0 | 4120 | .51 | .68 | .85 | | |
| | | 1800 | 55.5 | 2530 | .49 | .65 | .80 | 52.5 | 2880 | .50 | .66 | .81 | 50.0 | 3250 | .50 | .67 | .84 | 47.0 | 3670 | .51 | .69 | .86 | 44.0 | 4120 | .52 | .71 | .90 | 44.0 | 4120 | .52 | .71 | .90 | | |

COOLING PERFORMANCE EXTENDED RATINGS

Note: Shaded area is AHRI Rating Conditions

| Indoor Wet Bulb Temperature | | Outdoor Air Temperature Entering Outdoor Coil | | | | | | | | | | | | | | | | | | | | | | | | | | | | | | | | | | | |
|--|-----------------|---|-------------------------|-------------------------------|---------------------------------|-------------------------|-------------------------------|---------------------------------|-------------------------|-------------------------------|---------------------------------|-------------------------|-------------------------------|---------------------------------|-------------------------|-------------------------------|---------------------------------|-------------------------|-------------------------------|---------------------------------|-------------------------|-------------------------------|---------------------------------|-------------------------|-------------------------------|---------------------------------|-------------------------|-------------------------------|---------------------------------|-------------------------|-------------------------------|------------------------|--|--|-------------------------|--|--|
| | | 85° F (29.4° C) | | | | | | 95° F (35° C) | | | | | | 105° F (40.6° C) | | | | | | 115° F (46.1° C) | | | | | | 125° F (51.7° C) | | | | | | | | | | | |
| | | Sensible To Total Ratio (S/T) | | | Total Cooling Capacity | | | Comp. Motor Watts Input | | | Sensible To Total Ratio (S/T) | | | Total Cooling Capacity | | | Comp. Motor Watts Input | | | Sensible To Total Ratio (S/T) | | | Total Cooling Capacity | | | Comp. Motor Watts Input | | | Sensible To Total Ratio (S/T) | | | Total Cooling Capacity | | | Comp. Motor Watts Input | | |
| | | Total Cooling Capacity kBtuh | Comp. Motor Watts Input | Sensible To Total Ratio (S/T) | Total Cooling Capacity kBtuh | Comp. Motor Watts Input | Sensible To Total Ratio (S/T) | Total Cooling Capacity kBtuh | Comp. Motor Watts Input | Sensible To Total Ratio (S/T) | Total Cooling Capacity kBtuh | Comp. Motor Watts Input | Sensible To Total Ratio (S/T) | Total Cooling Capacity kBtuh | Comp. Motor Watts Input | Sensible To Total Ratio (S/T) | Total Cooling Capacity kBtuh | Comp. Motor Watts Input | Sensible To Total Ratio (S/T) | Total Cooling Capacity kBtuh | Comp. Motor Watts Input | Sensible To Total Ratio (S/T) | Total Cooling Capacity kBtuh | Comp. Motor Watts Input | Sensible To Total Ratio (S/T) | Total Cooling Capacity kBtuh | Comp. Motor Watts Input | Sensible To Total Ratio (S/T) | Total Cooling Capacity kBtuh | Comp. Motor Watts Input | Sensible To Total Ratio (S/T) | | | | | | |
| Total Air Volume cfm | 85° F (29.4° C) | | | 95° F (35° C) | | | 105° F (40.6° C) | | | 115° F (46.1° C) | | | 125° F (51.7° C) | | | 105° F (40.6° C) | | | 115° F (46.1° C) | | | 125° F (51.7° C) | | | 105° F (40.6° C) | | | 115° F (46.1° C) | | | 125° F (51.7° C) | | | | | | |
| 4AC14B60P-50 - EA(C;U)IP60C+H4TXV03+45 SEC BLOWER DELAY | | | | | | | | | | | | | | | | | | | | | | | | | | | | | | | | | | | | | |
| 59°F (15°C) | 1575 | 55.5 | 3510 | .89 | 1.00 | 1.00 | 53.5 | 3940 | .91 | 1.00 | 1.00 | 51.5 | 4440 | .94 | 1.00 | 1.00 | 49.0 | 5010 | .96 | 1.00 | 1.00 | 46.0 | 5710 | .99 | 1.00 | 1.00 | 46.0 | 5710 | .99 | 1.00 | 1.00 | | | | | | |
| | 1800 | 58.0 | 3500 | .93 | 1.00 | 1.00 | 56.0 | 3940 | .95 | 1.00 | 1.00 | 53.5 | 4430 | .98 | 1.00 | 1.00 | 51.0 | 5010 | 1.00 | 1.00 | 1.00 | 48.0 | 5700 | 1.00 | 1.00 | 1.00 | 48.0 | 5700 | 1.00 | 1.00 | 1.00 | | | | | | |
| | 2025 | 60.5 | 3500 | .97 | 1.00 | 1.00 | 58.0 | 3940 | .99 | 1.00 | 1.00 | 55.5 | 4430 | 1.00 | 1.00 | 1.00 | 53.0 | 5010 | 1.00 | 1.00 | 1.00 | 50.0 | 5700 | 1.00 | 1.00 | 1.00 | 50.0 | 5700 | 1.00 | 1.00 | 1.00 | | | | | | |
| 63°F (17.2°C) | 1575 | 58.5 | 3500 | .73 | .86 | .98 | 56.0 | 3940 | .74 | .88 | 1.00 | 53.0 | 4430 | .76 | .90 | 1.00 | 50.0 | 5000 | .78 | .93 | 1.00 | 47.0 | 5710 | .80 | .96 | 1.00 | 47.0 | 5710 | .80 | .96 | 1.00 | | | | | | |
| | 1800 | 60.0 | 3500 | .75 | .90 | 1.00 | 57.5 | 3940 | .77 | .92 | 1.00 | 54.5 | 4430 | .79 | .94 | 1.00 | 51.5 | 5010 | .81 | .97 | 1.00 | 48.5 | 5700 | .84 | 1.00 | 1.00 | 48.5 | 5700 | .84 | 1.00 | 1.00 | | | | | | |
| | 2025 | 61.5 | 3500 | .78 | .94 | 1.00 | 59.0 | 3940 | .80 | .96 | 1.00 | 56.0 | 4440 | .82 | .98 | 1.00 | 53.0 | 5000 | .84 | 1.00 | 1.00 | 49.5 | 5700 | .87 | 1.00 | 1.00 | 49.5 | 5700 | .87 | 1.00 | 1.00 | 1.00 | | | | | |
| 67°F (19.4°C) | 1575 | 62.0 | 3500 | .58 | .71 | .83 | 59.0 | 3940 | .59 | .72 | .85 | 56.0 | 4430 | .60 | .73 | .87 | 53.0 | 5010 | .61 | .75 | .89 | 49.5 | 5700 | .62 | .78 | .93 | 49.5 | 5700 | .62 | .78 | .93 | | | | | | |
| | 1800 | 63.5 | 3490 | .60 | .73 | .86 | 60.5 | 3940 | .60 | .75 | .89 | 58.0 | 4430 | .62 | .76 | .91 | 54.5 | 5010 | .63 | .79 | .94 | 51.0 | 5690 | .64 | .81 | .97 | 51.0 | 5690 | .64 | .81 | .97 | | | | | | |
| | 2025 | 65.0 | 3490 | .61 | .76 | .90 | 62.0 | 3940 | .63 | .78 | .93 | 59.0 | 4430 | .63 | .79 | .95 | 55.5 | 5000 | .65 | .82 | .98 | 52.0 | 5690 | .67 | .85 | 1.00 | 52.0 | 5690 | .67 | .85 | 1.00 | | | | | | |
| 71°F (21.7°C) | 1575 | 65.0 | 3490 | .44 | .57 | .68 | 62.5 | 3940 | .45 | .57 | .69 | 59.0 | 4430 | .45 | .58 | .71 | 56.0 | 5010 | .46 | .59 | .73 | 52.5 | 5690 | .46 | .61 | .75 | 52.5 | 5690 | .46 | .61 | .75 | | | | | | |
| | 1800 | 67.0 | 3490 | .45 | .58 | .71 | 64.0 | 3930 | .45 | .59 | .72 | 61.0 | 4430 | .46 | .60 | .74 | 57.5 | 5010 | .46 | .62 | .76 | 54.0 | 5690 | .47 | .63 | .79 | 54.0 | 5690 | .47 | .63 | .79 | | | | | | |
| | 2025 | 68.5 | 3480 | .46 | .60 | .74 | 65.5 | 3930 | .46 | .61 | .75 | 62.0 | 4430 | .47 | .62 | .77 | 58.5 | 5010 | .47 | .64 | .80 | 55.0 | 5690 | .48 | .66 | .83 | 55.0 | 5690 | .48 | .66 | .83 | | | | | | |



1-800-448-5872

All specifications and illustrations subject to change without notice and without incurring obligations.