



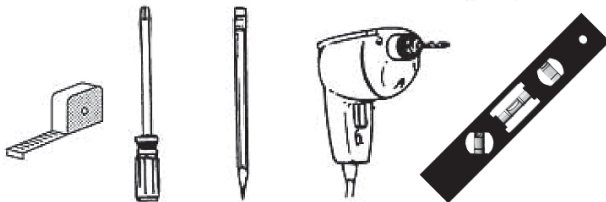
## Custom Decorative Hardware Installation Instructions

### Cord Draw Traverse System

Thank you for purchasing your new traverse system. With proper installation and care, it will provide you or your customer with years of beauty and trouble-free functionality. Clean with a soft cloth. Do not use harsh or abrasive cleaning supplies or polishes, which may damage the finishes.

#### Tools Needed for Installation (not included):

- Tape Measure
- Pencil
- Level
- Drill
- $\frac{3}{32}$ " Drill Bit (.094")
- #2 Phillips Head Bit or Screwdriver
- Flat Head Screwdriver



#### Cord Draw Single Traverse System Installation

1. Attach the wall mounting brackets. Use two brackets at each end of the track no more than 24" apart. Then place brackets no more than 48" apart over the remainder of the track. Securely attach all brackets to the mounting surface. Mount brackets to wall studs whenever possible. Use proper fasteners designed for your particular type of mounting surface. Hollow wall fasteners (sold separately) are recommended for dry wall. Use a level to make sure all brackets are lined up.

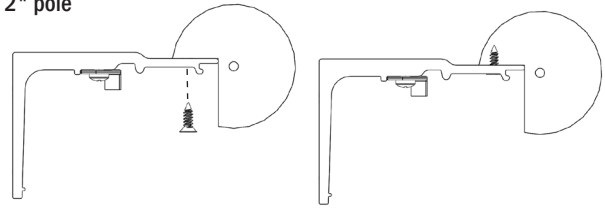
#### Tips for Successful Installation

Securely attach all brackets to the mounting surface. If you do not locate and install into wood studs, use the proper wall fasteners and/or plastic anchors designed for your particular mounting surface (screws and plastic anchors are included). When drilling into metal, use self-tapping screws (not included).

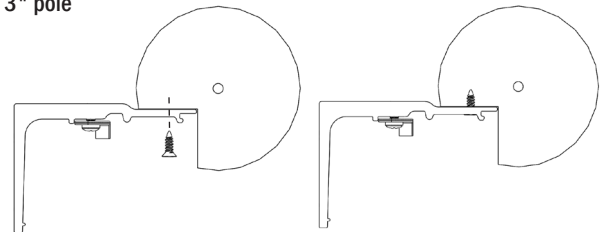
Make certain all brackets line up evenly by measuring their placement.

2. Attach the pole to the bracket by using (1) screw per bracket. Short screws are provided. The routed pole is decorative and holds no drapery weight.

2" pole

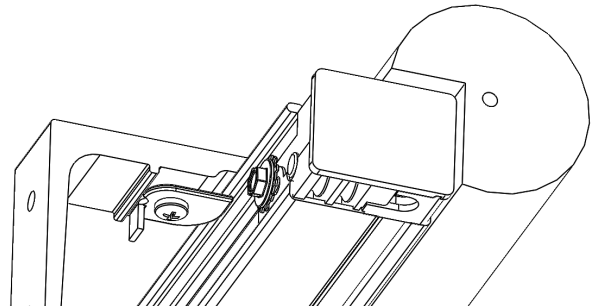


3" pole

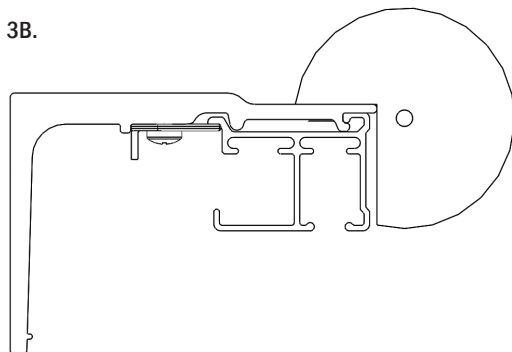


3. Traverse track will be held in place by the support hook at the end of the bracket and the track lock that locks the track into place. When the track is placed under the support hook, loosen the screw and rotate the track lock to engage the track. Then, tighten the screw to lock the track in place (3A & 3B).

3A. Carriers and end cap pendants not shown for clarity.



3B.

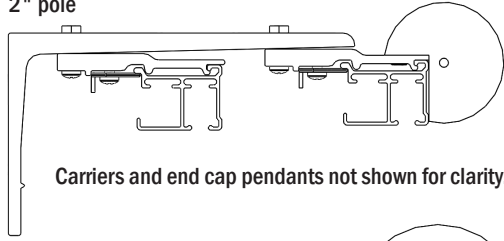


\*See separate instructions for threading a corded traverse track. An instructional video is also available on our website ([www.rowleycompany.com](http://www.rowleycompany.com)).

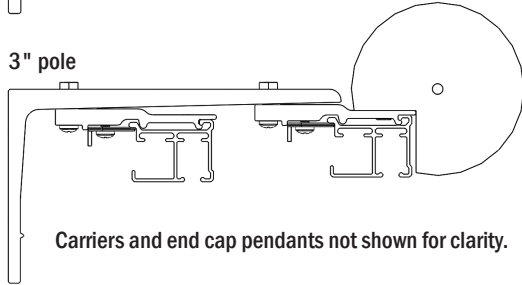
## Cord Draw Double Traverse System Installation

1. Follow steps 1 - 3 above and install the back track.

2" pole



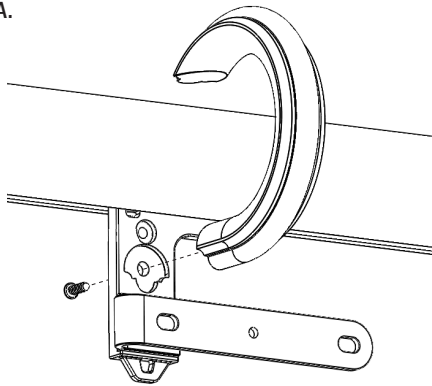
3" pole



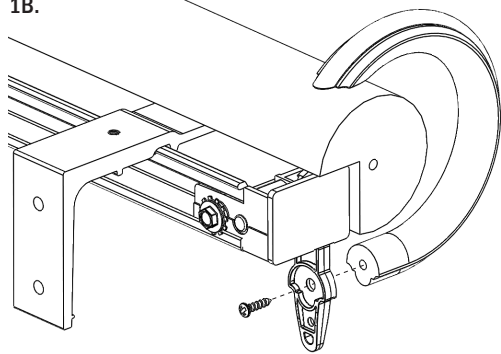
## "C" Rings Installation

1. If your system comes with "C" Rings, screw the "C" Rings onto the master carriers and the end cap brackets (1A & 1B). Then clip the "C" Rings into the roller carriers (1C).

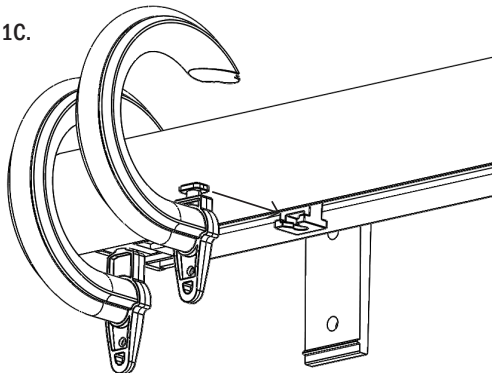
1A.



1B.



1C.



## Cord Tension Device Adjustment and Installation

1. To adjust the cord tension, locate the master carrier with the knotted cords in the back. Find the knot that is closest to the cord drop. Pull that cord to the right length or tension and knot the cord in place. Do not cut the cord until you verify that the master carriers are functional and they travel the length of the track. When you are satisfied with the cord drop and the function of the master carriers, cut the excess cord after the knot.
2. Follow the enclosed instructions to install the Cord Tension Device correctly.

