



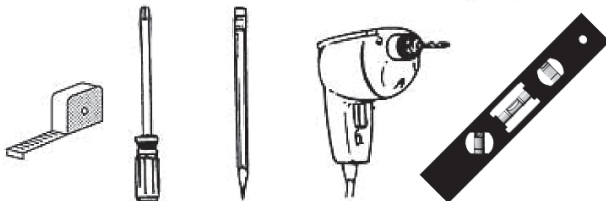
*Custom
Decorative Hardware*
Installation Instructions

Baton Draw Traverse System

Thank you for purchasing your new traverse system. With proper installation and care, it will provide you or your customer with years of beauty and trouble-free functionality. Clean with a soft cloth. Do not use harsh or abrasive cleaning supplies or polishes, which may damage the finishes.

Tools Needed for Installation (not included):

- Tape Measure
- Pencil
- Level
- Drill
- $\frac{3}{32}$ " Drill Bit (.094")
- #2 Phillips Head Bit or Screwdriver
- Flat Head Screwdriver



Baton Draw Single Traverse System Installation

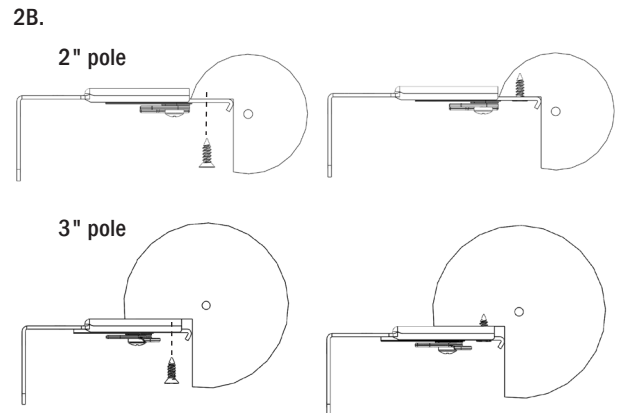
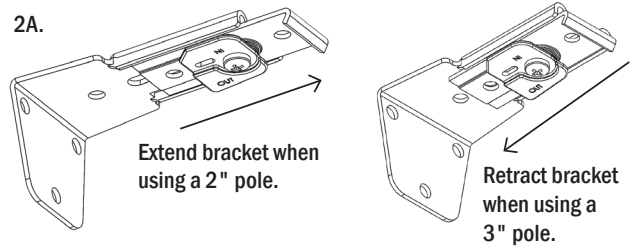
1. Attach the wall mounting brackets. Use two brackets at each end of the track no more than 24" apart. Then place brackets no more than 48" apart over the remainder of the track. Securely attach all brackets to the mounting surface. Mount brackets to wall studs whenever possible. Use proper fasteners designed for your particular type of mounting surface. Hollow wall fasteners (sold separately) are recommended for dry wall. Use a level to make sure all brackets are lined up.

Tips for Successful Installation

Securely attach all brackets to the mounting surface. If you do not locate and install into wood studs, use the proper wall fasteners and/or plastic anchors designed for your particular mounting surface (screws and plastic anchors are included). When drilling into metal, use self-tapping screws (not included).

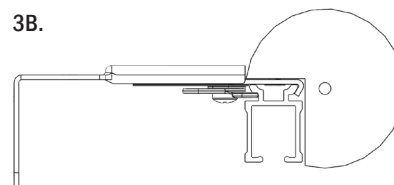
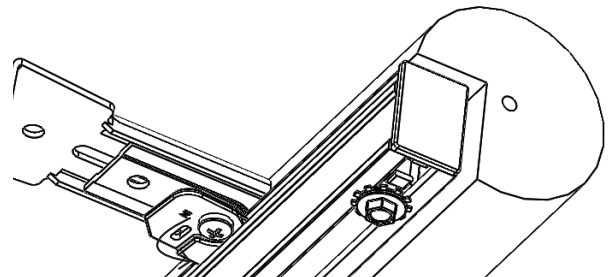
Make certain all brackets line up evenly by measuring their placement.

2. Loosen the screw in the bracket and extend or retract the bracket depending on if using a 2" or 3" pole (2A). Then tighten the screw in the bracket back down. Attach the pole to the bracket by using (1) screw per bracket. Short screws are provided (2B). The routed pole is decorative and holds no drapery weight.



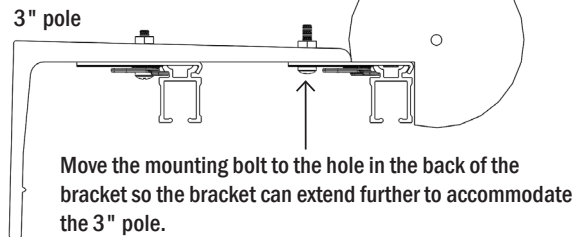
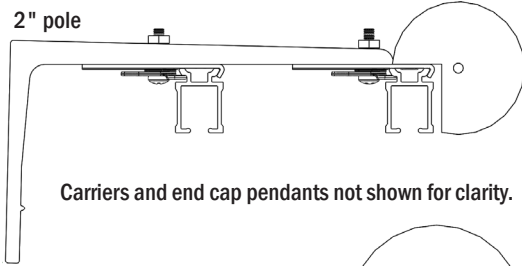
3. The traverse track will be held in place by the support notch at the end of the track and the camlock that locks the track into place. When the track is placed inside the support notch, turn the camlock counter clockwise with a flathead screwdriver to lock the track in place (3A & 3B).

3A. Carriers and end cap pendants not shown for clarity.



Baton Draw Double Traverse System Installation

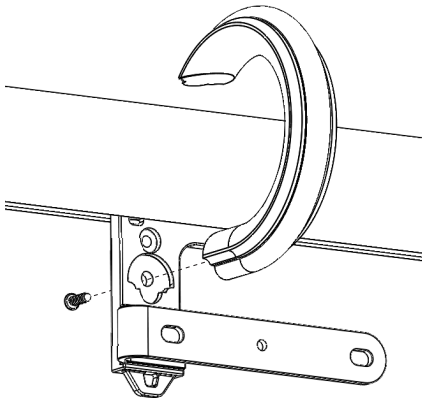
1. Follow steps 1 - 3 above and install the back track.



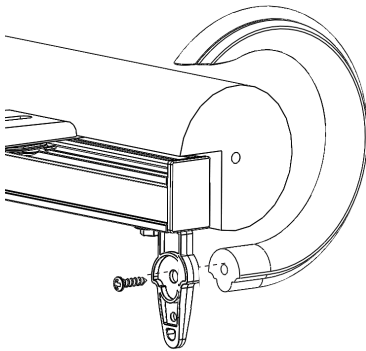
"C" Rings Installation

1. If your system comes with "C" Rings, screw the "C" Rings onto the master carriers and the end cap brackets (1A & 1B). Then clip the "C" Rings into the roller carriers (1C).

1A.



1B.



1C.

