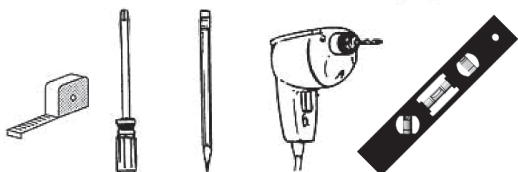


Holdback

Thank you for purchasing your new decorative Holdback. With proper installation and care, they will provide you with many years of beauty and trouble-free use. Clean with a soft cloth. Do not use harsh or abrasive cleaning supplies or polishes which may damage the finish.

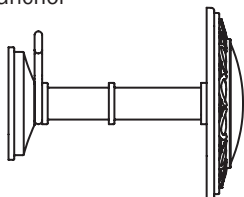
Tools Needed for Installation (not included):

- Tape Measure
- Phillips screwdriver
- Pencil
- Drill with $\frac{3}{16}$ " drill bit to pre-drill for plastic expansion anchors
- Level (recommended)



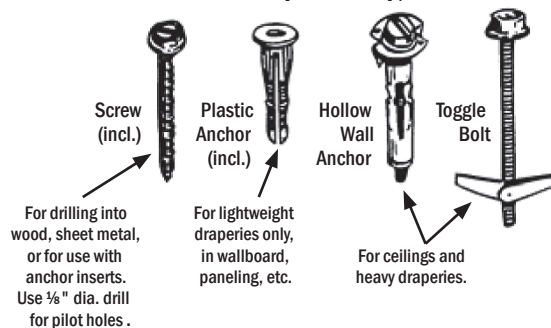
Components Included for each Holdback:

- 2" Stem
- Wall Mount Base Plate
- Drapery Pin Hook (optional for assembly)
- Screw
- Plastic anchor



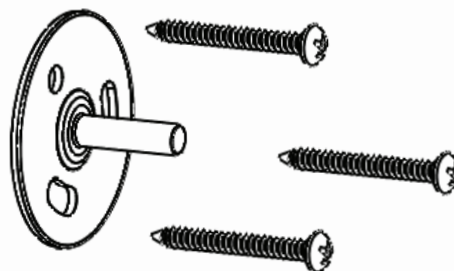
Holdback Installation

1. Locate correct anchors for your wall type.

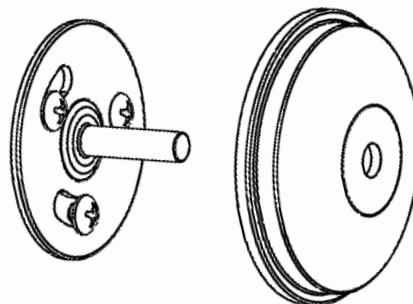


Determine the desired height and width based on the drapery treatment. Be certain to make the appropriate allowance for the decorative hardware. It is recommended that the Holdback be installed approximately 2" or more inches beyond the window frame.

2. Once the Holdback position is determined, mark the location on the wall for the anchors or screws.
3. If using plastic expansion anchors, pre-drill holes using $\frac{3}{16}$ " drill bit. If drilling directly into a stud or wood trim, pre-drill holes with $\frac{3}{32}$ " drill bit.
4. Attach the wall mount to the wall with correct fasteners.



5. Locate decorative base and place over wall mount.

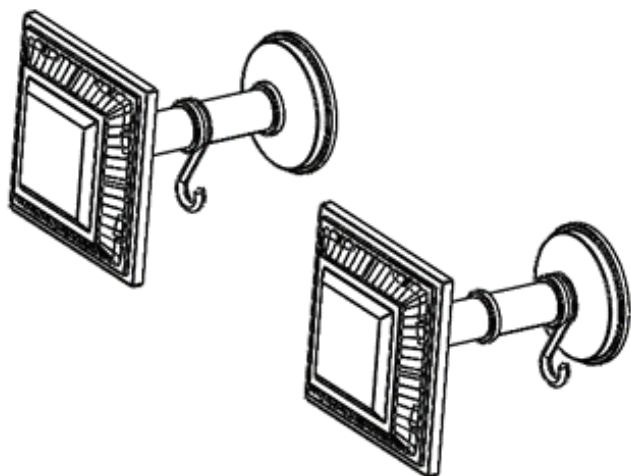


Tips for Successful Installation

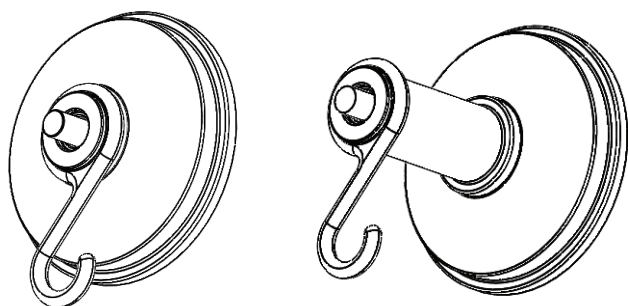
Securely attach all Holdbacks to the mounting surface. If you do not locate and install into wood studs. Use the proper wall fasteners and / or plastic anchors designed for your particular mounting surface (fasteners are included). When drill into metal, use self-tapping screws (not included).

Make certain all Holdbacks line up evenly by measuring their placement.

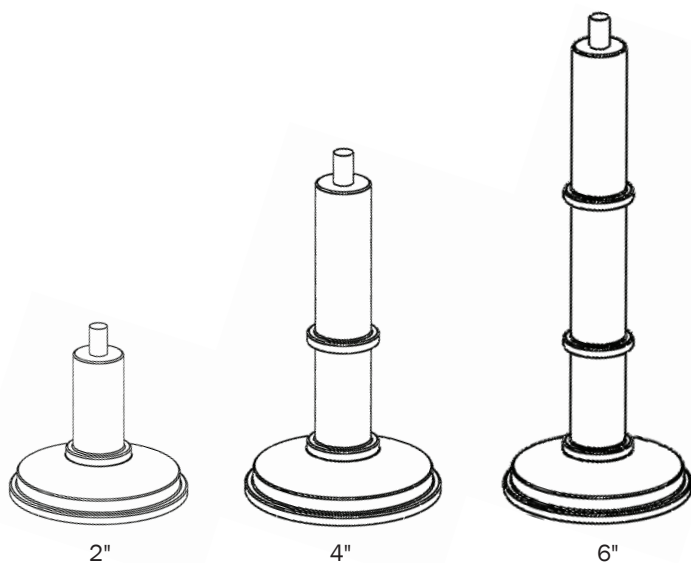
6. Hook installation is optional. Depending on desired drapery style, assemble the hook in your preferred location.



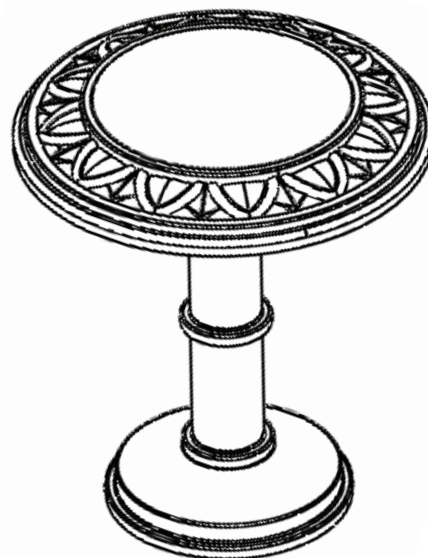
7. When using the hook option, place it over the base plate or stem extension with the flat side facing the wall as shown below.



8. To install the stem extensions, simply screw the sections together to create the desired extension from the wall.



9. To complete your Holdback installation, fasten the decorative medallion to the stem extension.



NOTE: If a 6" Holdback is required, a 2" extension is sold separately. Part number FM138990/.