

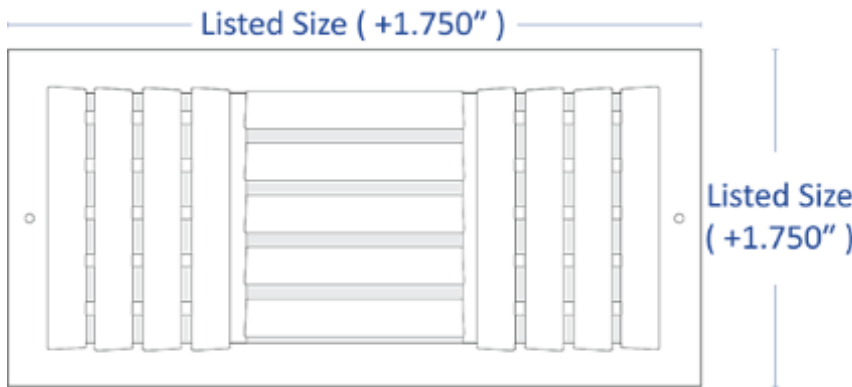
Submitted by: _____

Date: _____

Adjustable Curved Blade

Side wall / Ceiling

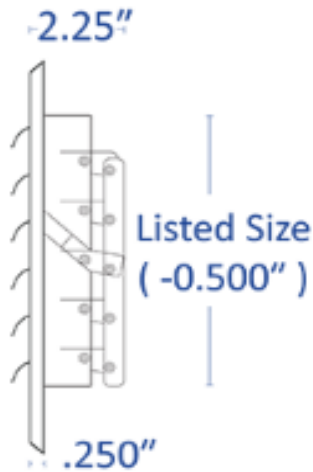
Model:



Available Options

- Aluminum
- Steel
- Opposed Blade Damper
- Multi-Shutter Damper

Multi-Shutter Damper



Opposed Blade Damper



Model Features

- 3 way air flow pattern
- Durable white powder coat finish
- Fin is encased in roll formed 22 gauge steel

Material: Steel or Aluminum

Face: Adjustable curved blade

Model Size:

Project Name: _____

Architect: _____

Project Location: _____

Engineer: _____

Contractor: _____