



FOR INDUSTRY PROFESSIONALS

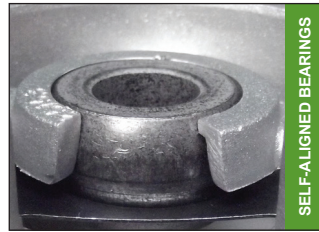


UNIVERSAL FRACTIONAL HORSEPOWER MOTORS



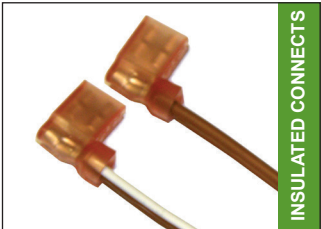
RUGGED BALL BEARING

Rugged Ball bearing design capable of handling high ambient conditions and excessive radial and axial loading.



SELF-ALIGNED BEARINGS

Revolutionary self-aligned bearing system which requires no further lubrication and is capable of all angle mounting. It is NOT a babbit style sleeve bearing.



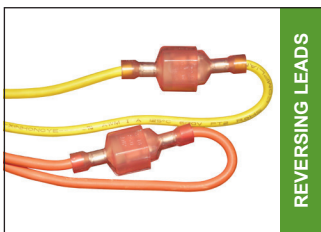
INSULATED CONNECTS

Run Capacitor connections for both Condenser fan and direct drive furnace blower motors are insulated for increased safety.



MULTI-HP CONDENSER

Multi-Horsepower motors are single speed with 2 leads designed to run at a range of load points that correspond to the rated horsepowers. They're easier to install with one less lead.



REVERSING LEADS

The electrical reversing of leads simplifies rotation direction changes.



CONDENSER MOTOR

Extended mounting bolts on lead end of motor. For shaft up application, simply reverse the direction of the bolts. Condenser models include Rheem† side shell holes.

Fixed Fractional

	VOLTS	SPEED	TRADEPRO	HP	AMP	BEARING	CAP**	MOTOR LENGTH (A) DIM
CONDENSER	208-230	825	TP-C16-1SP2-8	1/6	1	SAB	5µF / 370v	4.607"
	208-230		TP-C25-1SP2-8	1/4	2.0	SAB	5µF / 370v	4.857"
	208-230		TP-C25-1SP2HT-8	1/4	2.1	BALL	5µF / 370v	4.857"
	208-230		TP-C33-1SP2-8	1/3	2.4	SAB	7.5µF / 440v	5.607"
	208-230		TP-C33-1SP2HT-8	1/3	2.4	BALL	7.5µF / 440v	5.607"
	208-230		TP-C50-1SP2-8	1/2	2.8	SAB	10µF / 370v	6.357"
	208-230	1075	TP-C16-1SP2	1/6	1.2	SAB	10µF / 370v	4.607"
	208-230		TP-C25-1SP2	1/4	1.4	SAB	10µF / 370v	4.857"
	208-230		TP-C25-1SP2HT	1/4	1.5	BALL	5µF / 370v	5.107"
	208-230		TP-C33-1SP2	1/3	1.7	SAB	10µF / 370v	5.357"
	208-230		TP-C33-1SP2HT	1/3	1.8	BALL	7.5µF / 370v	5.607"
	208-230		TP-C50-1SP2	1/2	2.5	SAB	15µF / 370v	6.107"
	208-230		TP-C50-1SP2HT	1/2	3.3	BALL	10µF / 370v	5.857"
	208-230		TP-C75-1SP2	3/4	3.9	SAB	15µF / 370v	6.357"
EVAPORATOR	208-230	1075 / 3 Spd*	TP-E25-3SP2	1/4	1.6	SAB	10µF / 370v	5.402"
	115		TP-E25-3SP1	1/4	3.8	SAB	10µF / 370v	5.402"
	208-230		TP-E33-3SP2	1/3	2.2	SAB	10µF / 370v	5.652"
	115		TP-E33-3SP1	1/3	5.0	SAB	10µF / 370v	5.652"
	208-230		TP-E50-3SP2	1/2	2.7	SAB	10µF / 370v	6.402"
	115		TP-E50-3SP1	1/2	6	SAB	10µF / 370v	6.402"
	208-230		TP-E75-3SP2	3/4	4.0	SAB	15µF / 370v	6.402"
	115		TP-E75-3SP1	3/4	9.5	SAB	15µF / 370v	6.402"

*Speeds: Hi (1075), Med (900), Low (800)

**440V Cap may be used for any 370V Cap

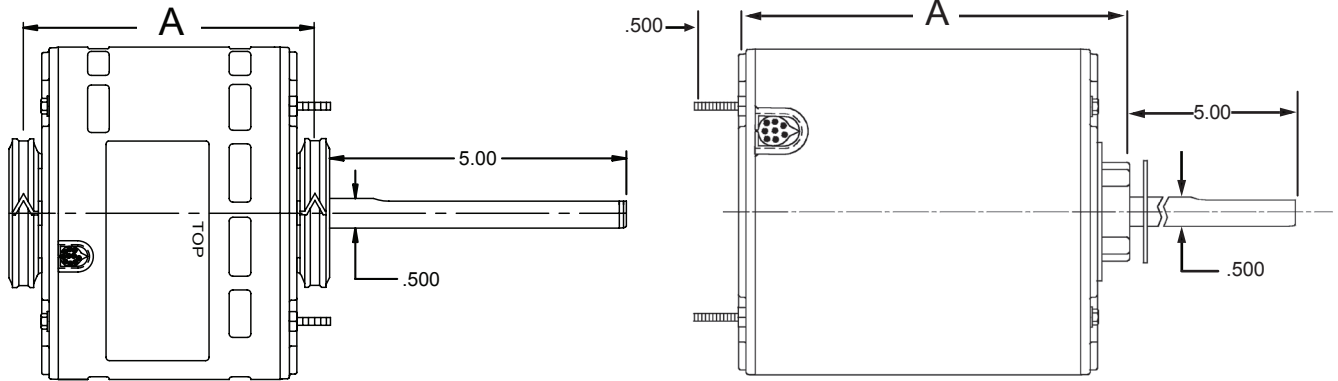
†All trademarks are the property of their respective owners.

Multi-Horsepower

MULTI-HP MOTORS	VOLTS	SPEED	TRADEPRO	HP	BEARING	CAP**	MOTOR LENGTH (A) DIM	Full Load Amps					
								3/4 HP	1/2 HP	1/3 HP	1/4 HP	1/5 HP	1/6 HP
Condenser Hi-Temp	208-230	825	TP-C33-MHP2HT-8	1/3 - 1/5	BALL	7.5µF / 440v	5.607"	-	-	2.4	1.9	1.4	-
	208-230	1075	TP-C33-MHP2HT	1/3-1/6	BALL	7.5µF / 370v	4.312"	-	-	1.7	1.4	1.2	1.1
	208-230	1075	TP-C50-MHP2HT	1/2-1/5	BALL	15MF / 370V	6.357"	-	2.6	2.3	2	1.7	-
Condenser	208-230	825	TP-C33-MHP2-8	1/3 - 1/5	SAB	7.5µF / 440v	5.607"	-	-	2.4	1.9	1.4	-
	208-230	1075	TP-C33-MHP2	1/3 - 1/6	SAB	10µF / 370v	4.862"	-	-	1.8	1.7	1.5	1.3
	208-230	1075	TP-C50-MHP2	1/2 - 1/5	SAB	15µF / 370v	5.562"	-	2.6	2.3	1.9	1.7	-
Direct Drive Blower	115	1075 / 3 Spd*	TP-E50-MHP1	1/2 - 1/6	SAB	10µF / 370v	6.402"	-	3.6	3.5	2.8	1.9	1.3
	208-230		TP-E50-MHP2	1/2 - 1/6	SAB	10µF / 370v	6.402"	-	7.3	6.9	5.5	3.6	2.8
	115		TP-E75-MHP1	3/4 - 1/5	BALL	20µF / 370v	7.152"	3.8	3.7	2.5	1.8	1.7	-
	208-230		TP-E75-MHP2	3/4 - 1/5	BALL	20µF / 370v	7.152"	8.1	6.6	4.6	3.8	3.1	-

*Speeds: Hi (1075), Med (900), Low (800)

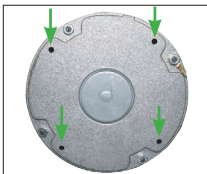
**440V Cap may be used for any 370V Cap



Motor Selection Guide

How to choose the right motor?

- Determine the application. Condenser, Air Handler, or Furnace?
 - This helps identify the enclosure, voltage, and temperature rating to help ensure a good cross reference.
- Determine the motor speed. 825 RPM or 1075 RPM?
- Determine if the original motor is Original Equipment or Aftermarket Replacement?
 - Match OEM Motors by Amp draw. Watch out for large capacitors. Why?
 - If the original capacitor is more than 50% larger than the suggested new capacitor, you should choose the next size motor. Always install a new capacitor rated per the manufacturer's specifications.
 - Match Aftermarket Motors on Horsepower. Why?
 - Amp draw can be misleading.
- How does the motor mount? Side Shell brackets, self-forming screws, resilient base, belly band, or motor mounting studs? Make sure to choose the right TradePro replacement motor.



MOUNTING SCREWS

Includes special Trane[†] and Rheem[†] Mounting holes on Multi-horsepower Condenser Fan Motors



MULTI-HORSEPOWER

Includes Rheem[†] Side Shell Holes on Evaporator Models.



EXTENDED BOLTS

Reversible bolts provide for easier installation for condenser motors



FOR INDUSTRY PROFESSIONALS

MOTOR CROSS REFERENCE GUIDE

Why Sell TradePro Motors

TradePro motors are 100% functionally tested during manufacturing and then retested after final assembly for everything from input power to Hi-Pot (Insulation Verification) and continuity testing.

TradePro motors require compliance verification of incoming raw materials for dimensional, mechanical, and other quality specifications.

TradePro Furnace blower motors are rated for higher ambient temperatures so they can be used in more applications and in more regions.

CONDENSER									
HP	TRADEPRO	WAGNER	EMERSON	AOS	FASCO	GE	MAGNETEK	MARATHON	DAYTON
1/6	TP-C16-1SP2-8	-	-	-	-	-	-	-	-
1/4	TP-C25-1SP2-8	-	-	-	-	-	-	-	-
1/3	TP-C33-1SP2-8	-	-	-	-	-	-	-	-
1/2	TP-C50-1SP2-8	-	-	-	-	-	-	-	-
1/3	TP-C33-1SP2HT-8	WG840205HT	-	FE1038SF	-	-	-	-	-
1/4	TP-C25-1SP2HT-8	WG840204HT	-	FE1028SF	-	-	-	-	-
1/3 - 1/5	TP-C33-MHP2-8	WG840469	5464	FE6001	D2826	3469	-	-	-
1/6	TP-C16-1SP2	WG840727	1869	FSE1016S	D917	3727	184	X411	4M261
1/4	TP-C25-1SP2	WG840728	1860	FSE1026S	D909	3728	176	X412	4M205
1/3	TP-C33-1SP2	WG840729	1861	FSE1036S	D908	3729	175	X413	4M206
1/2	TP-C50-1SP2	WG840730	1862	FSE1056S	D907	3730	187	X414	4M207
3/4	TP-C75-1SP2	WG840731	1868	FSE1076S	D933	3731	779	X095	4M208
1/4	TP-C25-1SP2HT	WG840728HT	-	FSE1026SF	-	-	-	-	-
1/3	TP-C33-1SP2HT	WG840729HT	-	FSE1036SF	-	-	-	-	-
1/2	TP-C50-1SP2HT	WG840730HT	-	FSE1056SF	-	-	-	-	-
1/3 - 1/6	TP-C33-MHP2	WG840465	5462	FE6000	D2827	3465	-	-	-
1/2 - 1/5	TP-C50-MHP2	WG840468	5465	FE6002	-	3468	-	-	-

EVAPORATOR									
HP	TRADEPRO	WAGNER	EMERSON	AOS	FASCO	GE	MAGNETEK	MARATHON	DAYTON
1/4	TP-E25-3SP2	WG840584	1971	D1026	D725	3584	530	X001	4M097
1/4	TP-E25-3SP1	WG840583	1863	DL1026	D721	3583	533	X000	4M096
1/3	TP-E33-3SP2	WG840586	1972	D1036	D923	3586	529	X003	4M099
1/3	TP-E33-3SP1	WG840585	1864	DL1036	D727	3585	532	X002	4M098
1/2	TP-E50-3SP2	WG840588	1973	D1056	D703	3588	528	X005	4M101
1/2	TP-E50-3SP1	WG840587	1865	DL1056	D701	3587	531	X004	4M100
3/4	TP-E75-3SP2	WG840590	8905	D1076	D729	3590	679	X010	4M184
3/4	TP-E75-3SP1	WG840589	8904	DL1076	D728	3589	678	X009	4M183
1/2 - 1/6	TP-E50-MHP2	WG840464	5461	FD6000	D833	3464	-	-	-
1/2 - 1/6	TP-E80-MHP1	WG840463	5460	FDL6001	D2835	3463	-	-	-
3/4 - 1/5	TP-E75-MHP2	WG840467	5471	FD6001	D2833	3467	-	-	-
3/4 - 1/5	TP-E75-MHP1	WG840466	5470	FDL6002	D2832	3466	-	-	-

Cross Reference Guidelines

- Horsepower must be within +/- 10% of OEM
- Replacement motor voltage must match OEM exactly
- Minimum current rating should equal OEM maximum and should not exceed + 10%
- Speed should be within +/- 10% of OEM
- Capacitor value should match value on replacement motor label

Mars, Packard, Gemline, Marathon, fasco, AO Smith, and Emerson are trademarks of their respective owners. Reasonable effort has been made to assure the accuracy of cross-reference information. However, final evaluation for suitable replacement is left to the installer.