

PRODUCT NUMBER:

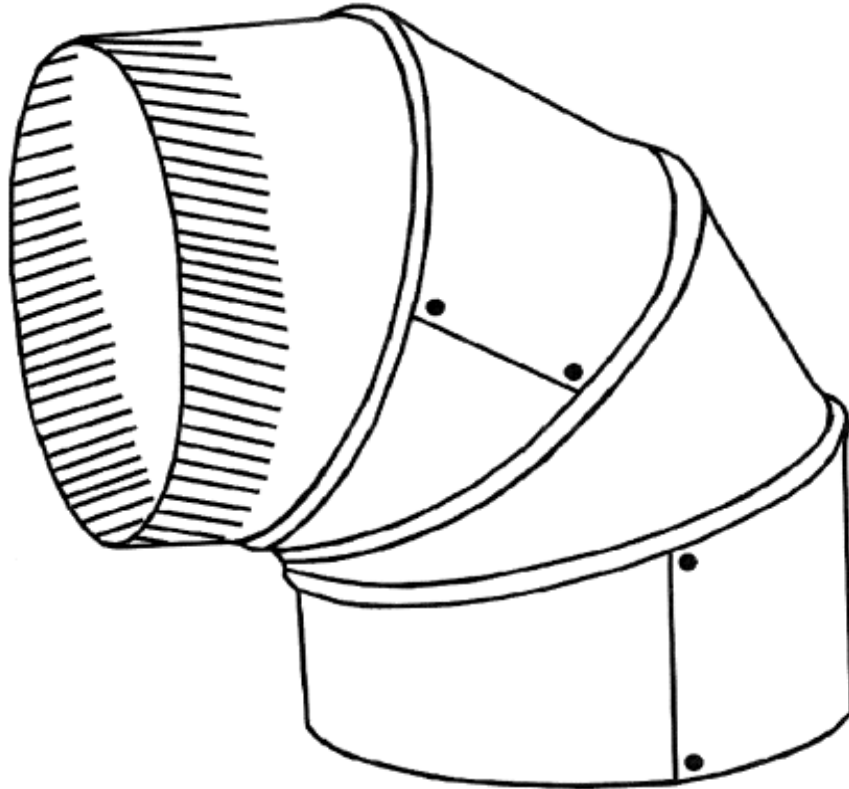
302

DESCRIPTION:

ADJUSTABLE 90° ELBOW

PRODUCT DATA SHEET**DATE:**

02/16/09

MODEL VARIATIONSAVAILABLE STRAIGHT IN 3"-8", 10"-16" DIAMETERS.
USE PART #302ST FOR STRAIGHT ELBOWS.**PRODUCTION DATA**MATERIAL: GALVANIZED STEEL SHEET OF LOCK
FORMING QUALITY PER ASTM-A653 CS TYPE B.

DIAMETER:	GAUGES AVAILABLE:
03"	30, 28, 26
04 - 09"	30, 28, 26, 24
10 - 14"	28, 26, 24
16 - 20"	26, 24

PRODUCT CHARACTERISTICS

TRANSVERSE CONNECTIONS:

CRIMPED MALE CONNECTION

STRAIGHT FEMALE CONNECTION

CONSTRUCTION: 03" - 20" = 4PC ASSEMBLY

PRODUCT SIZE INFORMATION

SIZES: 03 - 20" DIAMETER

DIAMETER	THROAT	DIAMETER	THROAT
03"	3 ½"	10"	3 ¾"
04"	3"	12"	3 ½"
05"	3"	14"	3 ¾"
06"	3"	16"	3 ⅞"
07"	3"	18"	4"
08"	3 ¼"	20"	4 ¼"
09"	3 ¼"		

NOTES:

Snap-Rite
Manufacturing, Inc.

232 N Ida St (PO Box 577)

Coats, NC 27521

PH: 910-897-4080

FX: 910-897-0355

6285 Peterson Road

Lake Park, GA 31636

PH: 229-559-3772

FX: 229-559-9965