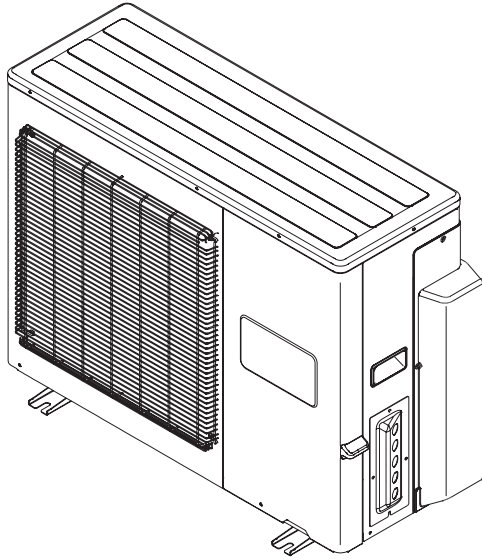


HEAT PUMP



INSTALLATION MANUAL

OUTDOOR UNIT

For authorized service personnel only.

MANUEL D'INSTALLATION

APPAREIL EXTÉRIEURE

Seulement pour personnel d'entretien autorisé.

MANUAL DE INSTALACIÓN

UNIDAD EXTERIOR

Únicamente para personal de servicio autorizado.

English

Français

Español



PART No. 9374747177

INSTALLATION MANUAL

PART No. 9374747177
Outdoor Unit

Contents

1. SAFETY PRECAUTIONS	1
2. ABOUT THE PRODUCT	2
2.1. Precautions for using R410A refrigerant	2
2.2. Special tools for R410A refrigerant	2
2.3. Accessories	2
2.4. System configuration	3
3. INSTALLATION WORK	5
3.1. Selecting an installation location	5
3.2. Installation dimensions	5
3.3. Placing the unit	6
3.4. Drain installation	6
3.5. Secure the unit	7
4. PIPE INSTALLATION - 1	7
4.1. Pipe connection	7
5. ELECTRICAL WIRING	8
5.1. The precautions of electrical wiring	8
5.2. Electrical requirement	9
5.3. How to connect the wire to the terminals	9
5.4. Connection diagrams	9
5.5. Wiring method	10
6. PIPE INSTALLATION - 2	11
6.1. Vacuum process	11
6.2. Additional charging	12
7. POWER	12
8. TEST RUN	12
8.1. Make a test run in accordance with the installation Manual for the indoor unit	12
8.2. Outdoor unit LED	12
8.3. Confirming the operation of indoor unit	13
9. PUMP DOWN	13
10. CUSTOMER GUIDANCE	13

1. SAFETY PRECAUTIONS

This installation manual describes how to install the outdoor unit only. To install the indoor unit, refer to the installation manual included with the indoor unit.

IMPORTANT!

Please Read Before Starting

This air conditioning system meets strict safety and operating standards.

As the installer or service person, it is an important part of your job to install or service the system so it operates safely and efficiently.

For safe installation and trouble-free operation, you must:

- Carefully read this instruction booklet before beginning.
- Follow each installation or repair step exactly as shown.
- Observe all local, state, and national electrical codes.
- Pay close attention to all warning, and caution notices given in this manual.

WARNING: This symbol refers to a hazard or unsafe practice which can result in severe personal injury or death.

CAUTION: This symbol refers to a hazard or unsafe practice which can result in personal injury and the potential for product or property damage.

- Hazard alerting symbols



Electrical



Safety / alert

If Necessary, Get Help

These instructions are all you need for most installation sites and maintenance conditions. If you require help for a special problem, contact our sales/service outlet or your certified dealer for additional instructions.

In Case of Improper Installation

The manufacturer shall in no way be responsible for improper installation or maintenance service, including failure to follow the instructions in this document.

SPECIAL PRECAUTIONS

When Wiring

ELECTRICAL SHOCK CAN CAUSE SEVERE PERSONAL INJURY OR DEATH. ONLY A QUALIFIED, EXPERIENCED ELECTRICIAN SHOULD ATTEMPT TO WIRE THIS SYSTEM.

- Do not supply power to the unit until all wiring and tubing are completed or reconnected and checked.
- Highly dangerous electrical voltages are used in this system. Carefully refer to the wiring diagram and these instructions when wiring. Improper connections and inadequate grounding can cause accidental injury or death.
- Ground the unit following local electrical codes.
- Connect all wiring tightly. Loose wiring may cause overheating at connection points and a possible fire hazard.

When Transporting

Be careful when picking up and moving the indoor and outdoor units. Get a partner to help, and bend your knees when lifting to reduce strain on your back. Sharp edges or thin aluminum fins on the air conditioner can cut your fingers.

When Installing...

...In a Ceiling or Wall

Make sure the ceiling/wall is strong enough to hold the unit's weight. It may be necessary to construct a strong wood or metal frame to provide added support.

...In a Room

Properly insulate any tubing run inside a room to prevent "sweating" that can cause dripping and water damage to walls and floors.

...In Moist or Uneven Locations

Use a raised concrete pad or concrete blocks to provide a solid, level foundation for the outdoor unit. This prevents water damage and abnormal vibration.

...In an Area with High Winds

Securely anchor the outdoor unit down with bolts and a metal frame. Provide a suitable air baffle.

...In a Snowy Area (for Heat Pump-type Systems)

Install the outdoor unit on a raised support that is higher than drifting snow. Provide snow vents.

When Connecting Refrigerant Tubing

- Keep all tubing runs as short as possible.
- Use the flare method for connecting tubing.
- Apply refrigeration compressor oil (or equivalent) used for the outdoor unit to the matching surfaces of the flare and union tubes before connecting them, then tighten the nut with a torque wrench for a leak-free connection.
- Check carefully for leaks before starting the test run.

NOTE:

Depending on the system type, liquid and gas lines may be either narrow or wide.

Therefore, to avoid confusion the refrigerant tubing for your particular model is specified as either "small" or "large" rather than as "liquid" or "gas".

When Servicing

- Turn the power OFF at the main circuit breaker panel before opening the unit to check or repair electrical parts and wiring.
- Keep your fingers and clothing away from any moving parts.
- Clean up the site after you finish, remembering to check that no metal scraps or bits of wiring have been left inside the unit being serviced.
- After installation, explain correct operation to the customer, using the operating manual.

- Be sure to read this Manual thoroughly before installation.
- The warnings and precautions indicated in this Manual contain important information pertaining to your safety. Be sure to observe them.
- Hand this Manual, together with the Operating Manual, to the customer. Request the customer to keep them on hand for future use, such as for relocating or repairing the unit.
- After installation, explain correct operation to the customer, using the operating manual.

WARNING

Never touch electrical components immediately after the power supply has been turned off. Electrical shock may occur. After turning off the power, always wait 5 minutes or more before touching electrical components.

During installation, make sure that the refrigerant pipe is attached firmly before you run the compressor. Do not operate the compressor under the condition of refrigerant piping not attached properly with 2-way or 3-way valve open. This may cause abnormal pressure in the refrigeration cycle that leads to breakage and even injury.

Do not remove the connection pipe while the compressor is in operation with 2-way or 3-way valve open. This may cause abnormal pressure in the refrigeration cycle that leads to breakage and even injury.

When installing and relocating the air conditioner, do not mix gases other than the specified refrigerant (R410A) to enter the refrigerant cycle. If air or other gas enters the refrigerant cycle, the pressure inside the cycle will rise to an abnormally high value and cause breakage, injury, etc.

When installing this system in high humidity locations, install using ground fault equipment breakers (often referred to in other countries as an ELCB earth leakage current breaker) to reduce the risk of leaking current which may result in electric shock or potential fire.

⚠ CAUTION

For the air conditioner to operate satisfactorily, install it as outlined in this installation manual.

Connect the indoor unit and outdoor unit with the air conditioner piping and cables available standards parts. This installation manual describes the correct connections using the installation set available from our standard parts.

Installation work must be performed in accordance with national wiring standards by authorized personnel only.

Also, do not use an extension cable.

Do not turn on the power until all installation work is complete.

Do not purge the air with refrigerants but use a vacuum pump to vacuum the installation.

There is not extra refrigerant in the outdoor unit for air purging.

Use a vacuum pump for R410A exclusively.

Using the same vacuum pump for different refrigerants may damage the vacuum pump or the unit.

Use a clean gauge manifold and charging hose for R410A exclusively.

If refrigerant leaks while work is being carried out, ventilate the area. If the refrigerant comes in contact with a flame, it produces a toxic gas.

- Be careful not to scratch the air conditioner when handling it.
- After installation, explain correct operation to the customer, using the operating manual.
- Let the customer keep this installation manual because it is used when the air conditioner is serviced or moved.
- This product is manufactured to metric units and tolerances. United States customary units are provided for reference only. In cases where exact dimensions and tolerances are required, always refer to metric units.

2. ABOUT THE PRODUCT

2.1. Precautions for using R410A refrigerant

⚠ WARNING

The basic installation work procedures are the same as conventional refrigerant models. However, pay careful attention to the following points:

Since the working pressure is 1.6 times higher than that of conventional refrigerant (R22) models, some of the piping and installation and service tools are special. (See the table below.)

Especially, when replacing a conventional refrigerant (R22) model with a new refrigerant R410A model, always replace the conventional piping and flare nuts with the R410A piping and flare nuts.

Models that use refrigerant R410A have a different charging port thread diameter to prevent erroneous charging with conventional refrigerant (R22) and for safety. Therefore, check beforehand. [The charging port thread diameter for R410A is 1/2 UNF 20 threads per inch.]

Be careful that foreign matter (oil, water, etc.) does not enter the piping than with refrigerant models. Also, when storing the piping, securely seal the openings by pinching, taping, etc.

When charging the refrigerant, take into account the slight change in the composition of the gas and liquid phases, and always charge from the liquid phase side whose composition is stable.

2.2. Special tools for R410A refrigerant

Tool name	Contents of change
Gauge manifold	Pressure is high and cannot be measured with a conventional gauge. To prevent erroneous mixing of other refrigerants, the diameter of each port has been changed. It is recommended the gauge with seals 30 in. Hg to 769 psi (-0.1 to 5.3 MPa) for high pressure. 30 in. Hg to 551 psi (-0.1 to 3.8 MPa) for low pressure.
Charge hose	To increase pressure resistance, the hose material and base size were changed.
Vacuum pump	A conventional vacuum pump can be used by installing a vacuum pump adapter.
Gas leakage detector	Special gas leakage detector for HFC refrigerant R410A.

Copper pipes

It is necessary to use seamless copper pipes and it is desirable that the amount of residual oil is less than 0.004 oz / 100 ft (40 mg / 10 m). Do not use copper pipes having a collapsed, deformed or discolored portion (especially on the interior surface). Otherwise, the expansion valve or capillary tube may become blocked with contaminants.

As an air conditioner using R410A incurs pressure higher than when using conventional refrigerant, it is necessary to choose adequate materials.

Thicknesses of copper pipes used with R410A are as shown in the table. Never use copper pipes thinner than that in the table even when it is available on the market.

Thicknesses of Annealed Copper Pipes (R410A)



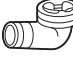
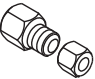
Pipe outside diameter [in. (mm)]	Thickness [in. (mm)]
1/4 (6.35)	1/16 (0.80)
3/8 (9.52)	1/16 (0.80)
1/2 (12.70)	1/16 (0.80)
5/8 (15.88)	1/16 (1.00)
3/4 (19.05)	1/16 (1.20)

2.3. Accessories

⚠ WARNING

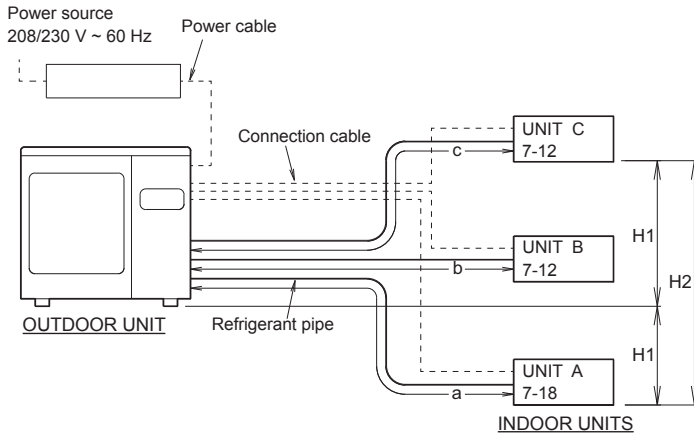
For installation purposes, be sure to use the parts supplied by the manufacturer or other prescribed parts. The use of non-prescribed parts can cause serious accidents such as the unit falling, water leakage, electric shock, or fire.

Do not throw away the connecting parts until the installation has been complete.

Name and shape	Q'ty	Application
Installation manual 	1	(This book)
Drain cap 	5	For outdoor unit drain piping work
Drain pipe 	1	
Adapter assy 1/2 in. → 3/8 in. (12.70 mm) (9.52 mm) 	1	For use when connecting models 7-12 to outdoor port A [24 type only]

2. 4. System configuration

2. 4. 1. Connectable indoor unit capacity type (Outdoor unit: 24 type)



⚠ CAUTION

The total capacity of the indoor units connected must be between 14,000 and 27,000 BTU.

Connection patterns are restricted. Normal operation is not guaranteed if connected pattern in the combination not listed below. The product may be damaged. Surely connect in accordance with the combination in the following connection pattern.

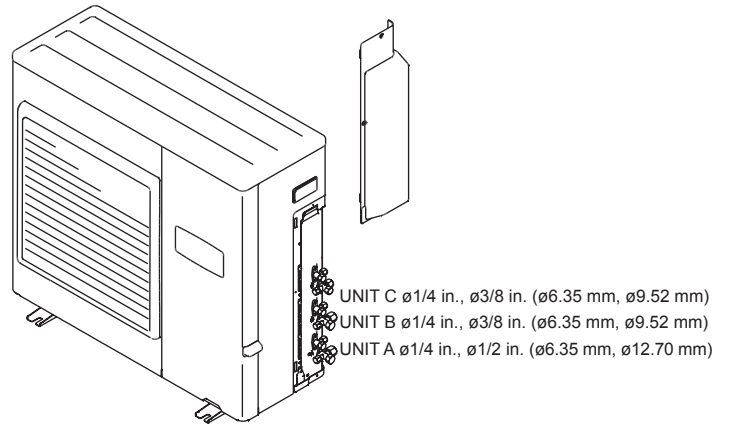
- To install an indoor unit, refer to the installation instruction sheet included with the indoor unit.

Indoor unit connection pattern

	Indoor unit		
	1	2	3
1	7,000	7,000	–
2	9,000	7,000	–
3	12,000	7,000	–
4	15,000	7,000	–
5	18,000	7,000	–
6	9,000	9,000	–
7	12,000	9,000	–
8	15,000	9,000	–
9	18,000	9,000	–
10	12,000	12,000	–
11	15,000	12,000	–
12	7,000	7,000	7,000
13	9,000	7,000	7,000
14	12,000	7,000	7,000
15	9,000	9,000	7,000
16	9,000	9,000	9,000

Outdoor port		Connectable model name
Standard port size [in. (mm)]		
C	1/4 (6.35) / 3/8 (9.52)	7 – 12
B	1/4 (6.35) / 3/8 (9.52)	7 – 12
A	1/4 (6.35) / 1/2 (12.70)	7 – 12 ^{*1} /15 – 18

*1) When connecting models 7–12 to the outdoor unit, the included adapter is necessary. For more information, refer to “4.1.4. How to use adapter”.



2. 4. 2. Limitation of refrigerant piping length (24 type)

⚠ CAUTION

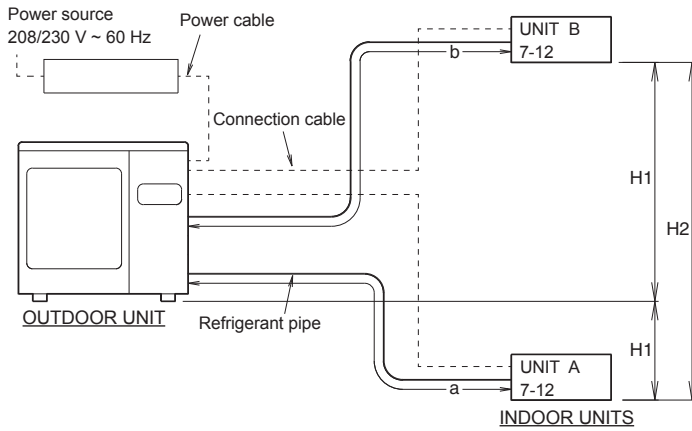
The total maximum pipe lengths and height difference of this product are shown in the table.

If the units are further apart than this, correct operation cannot be guaranteed.

Total max. length (a+b+c)	164 ft (50 m) ^{*1}
Max. length for each indoor unit (a, b or c)	82 ft (25 m)
Max. height difference between outdoor unit and each indoor unit (H1)	49 ft (15 m)
Max. height difference between indoor units (H2)	33 ft (10 m)
Min. length for each indoor unit (a, b or c)	16 ft (5 m)
Total min. length (a+b+c)	49 ft (15 m)

*1 If the total piping is longer than 98 ft (30 m), additional refrigerant charging is necessary. (For more information, refer to “6.2 Additional charging”.)

2. 4. 3. Connectable indoor unit capacity type (Outdoor unit: 18 type)



CAUTION

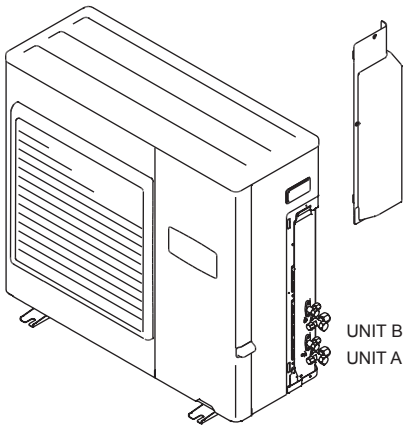
The total capacity of the indoor units connected must be between 14,000 and 21,000 BTU. Connection patterns are restricted. Normal operation is not guaranteed if connected pattern in the combination not listed below. The product may be damaged. Surely connect in accordance with the combination in the following connection pattern.

- To install an indoor unit, refer to the installation instruction sheet included with the indoor unit.

Indoor unit connection pattern

	Indoor unit	
	1	2
1	7,000	7,000
2	9,000	7,000
3	12,000	7,000
4	9,000	9,000
5	12,000	9,000

Outdoor port		Connectable model name
Standard port size [in. (mm)]		
B	1/4 (6.35) / 3/8 (9.52)	7 - 12
A	1/4 (6.35) / 3/8 (9.52)	7 - 12



UNIT B ϕ 1/4 in., ϕ 3/8 in. (ϕ 6.35mm, ϕ 9.52mm)
 UNIT A ϕ 1/4 in., ϕ 3/8 in. (ϕ 6.35mm, ϕ 9.52mm)

2. 4. 4. Limitation of refrigerant piping length (18 type)

CAUTION

The total maximum pipe lengths and height difference of this product are shown in the table. If the units are further apart than this, correct operation cannot be guaranteed.

Total max. length (a+b)	164 ft (50 m)* ¹
Max. length for each indoor unit (a or b)	82 ft (25 m)
Max. height difference between outdoor unit and each indoor unit (H1)	49 ft (15 m)
Max. height difference between indoor units (H2)	33 ft (10 m)
Min. length for each indoor unit (a or b)	16 ft (5 m)
Total min. length (a+b)	49 ft (15 m)

*1 If the total piping is longer than 98 ft (30 m), additional refrigerant charging is necessary. (For more information, refer to "6.2 Additional charging".)

2. 4. 5. Selecting pipe sizes

The diameters of the connection pipes differ according to the capacity of the indoor unit. Refer to the following table for the proper diameters of the connection pipes between the indoor and outdoor units.

Capacity of indoor unit	Gas pipe size (thickness) [in. (mm)]	Liquid pipe size (thickness) [in. (mm)]
7 - 12	ϕ 3/8 (1/16) [9.52 (0.8)]	ϕ 1/4 (1/16) [6.35 (0.8)]
15 - 18	ϕ 1/2 (1/16) [12.70 (0.8)]	ϕ 1/4 (1/16) [6.35 (0.8)]

CAUTION

Operation cannot be guaranteed if the correct combination of pipes, valves, etc., is not used to connect the indoor and outdoor units.

2. 4. 6. Heat insulation around connection pipes requirements

CAUTION

Install heat insulation around both the gas and liquid pipes. Failure to do so may cause water leaks. Use heat insulation with heat resistance above 248 °F. (Reverse cycle model only) In addition, if the humidity level at the installation location of the refrigerant piping is expected to exceed 70%, install heat insulation around the refrigerant piping. If the expected humidity level is 70-80%, use heat insulation that is 19/32 in. or thicker and if the expected humidity exceeds 80%, use heat insulation that is 25/32 in. or thicker. If heat insulation is used that is not as thick as specified, condensation may form on the surface of the insulation. In addition, use heat insulation with heat conductivity of 0.045 W/(m·K) or less (at 68 °F).

Connect the connection pipes according to "4.1. Pipe connection" in this installation manual.

2. 4. 7. Operating range

	Temperature	Indoor air intake	Outdoor air intake
Cooling	Maximum	90 °F DB	115 °F DB
	Minimum	65 °F DB	14 °F DB
Heating	Maximum	88 °F DB or less	75 °F DB
	Minimum	60 °F DB or less	5 °F DB

Indoor humidity about 80% or less

3. INSTALLATION WORK

Please obtain the approval of the customer when selecting the location of installation and installing the unit.

3.1. Selecting an installation location

⚠ WARNING

Securely install the outdoor unit at a location that can withstand the weight of the unit. Otherwise, the outdoor unit may fall and cause injury.

Be sure to install the outdoor unit as prescribed, so that it can withstand earthquakes and typhoons or other strong winds. Improper installation can cause the unit to topple or fall, or other accidents.

Do not install the outdoor unit near the edge of a balcony. Otherwise, children may climb onto the outdoor unit and fall off of the balcony.

⚠ CAUTION

Do not install the outdoor unit in the following areas:

- Area with high salt content, such as at the seaside. It will deteriorate metal parts, causing the parts to fail or the unit to leak water.
- Area filled with mineral oil or containing a large amount of splashed oil or steam, such as a kitchen. It will deteriorate plastic parts, causing the parts to fail or the unit to leak water.
- Area that generates substances that adversely affect the equipment, such as sulfuric gas, chlorine gas, acid, or alkali. It will cause the copper pipes and brazed joints to corrode, which can cause refrigerant leakage.
- Area containing equipment that generates electromagnetic interference. It will cause the control system to malfunction, preventing the unit from operating normally.
- Area that can cause combustible gas to leak, contains suspended carbon fibers or flammable dust, or volatile inflammables such as paint thinner or gasoline. If gas leaks and settles around the unit, it can cause a fire.
- Area that has heat sources, vapors, or the risk of the leakage of flammable gas in the vicinity.
- Area where small animals may live. It may cause failure, smoke or fire if small animals enter and touch internal electrical parts.
- Area where animals may urinate on the unit or ammonia may be generated.

Please install the outdoor unit without slant.

Install the outdoor unit in a well-ventilated location away from rain or direct sunlight.

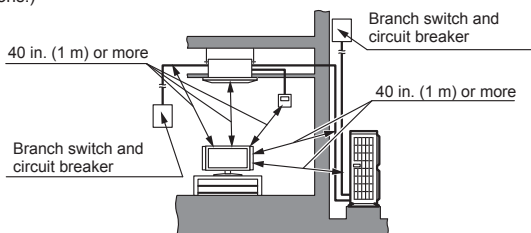
If the outdoor unit must be installed in an area within easy reach of the general public, install as necessary a protective fence or the like to prevent their access.

Install the outdoor unit in a location that would not inconvenience your neighbors, as they could be affected by the airflow coming out from the outlet, noise, or vibration. If it must be installed in proximity to your neighbors, be sure to obtain their approval.

If the outdoor unit is installed in a cold region that is affected by snow accumulation, snow fall, or freezing, take appropriate measures to protect it from those elements. To ensure a stable operation, install inlet and outlet ducts.

Install the outdoor unit in a location that is away from exhaust or the vent ports that discharge vapor, soot, dust, or debris.

Install the indoor unit, outdoor unit, power supply cable, connection cable, and remote control cable at least 40 in. (1 m) away from a television or radio receivers. The purpose of this is to prevent TV reception interference or radio noise. (Even if they are installed more than 40 in. (1 m) apart, you could still receive noise under some signal conditions.)



If children under 10 years old may approach the unit, take preventive measures so that they cannot reach the unit.

Keep the length of the piping of the indoor and outdoor units within the allowable range.

For maintenance purposes, do not bury the piping.

3.2. Installation dimensions

⚠ CAUTION

Select installation locations that can properly support the weight of the indoor and outdoor units. Install the units securely so that they do not topple or fall.

⚠ WARNING

Do not install where there is the danger of combustible gas leakage.

Do not install the unit near heat source of heat, steam, or flammable gas.

If children under 10 years old may approach the unit, take preventive measures so that they cannot reach the unit.

⚠ CAUTION

Install the unit where it will not be tilted by more than 3°. However, do not install the unit with it tilted towards the side containing the compressor.

When installing the outdoor unit where it may be exposed to strong wind, fasten it securely.

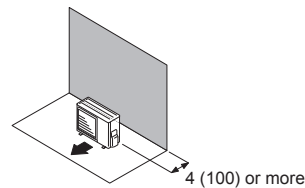
Decide the mounting position with the customer as follows:

- (1) Install the outdoor unit in a location which can withstand the weight of the unit and vibration, and which can install horizontally.
- (2) Provide the indicated space to ensure good airflow.
- (3) If possible, do not install the unit where it will be exposed to direct sunlight. (If necessary, install a blind that does not interfere with the airflow.)
- (4) Do not install the unit near a source of heat, steam, or flammable gas.
- (5) During heating operation, drain water flows from the outdoor unit. Therefore, install the outdoor unit in a place where the drain water flow will not be obstructed. (Reverse cycle model only)
- (6) Do not install the unit where strong wind blows or where it is very dusty.
- (7) Do not install the unit where people pass.
- (8) Install the outdoor unit in a place where it will be free from being dirty or getting wet by rain as much as possible.
- (9) Install the unit where connection to the indoor unit is easy.

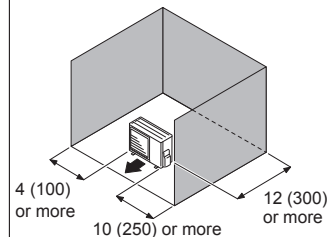
3.2.1. Single outdoor unit installation

When the upper space is open: [Unit: in. (mm)]

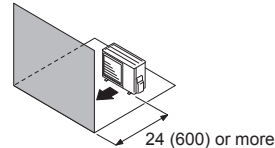
- (1) Obstacles at the rear only



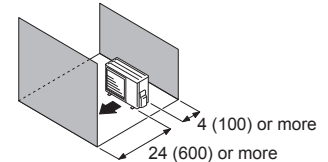
- (2) Obstacles at the rear and sides



- (3) Obstacles at the front only

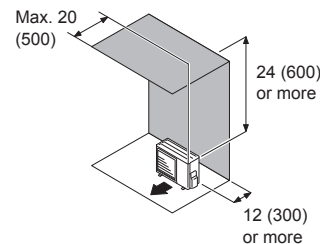


- (4) Obstacles at the front and rear

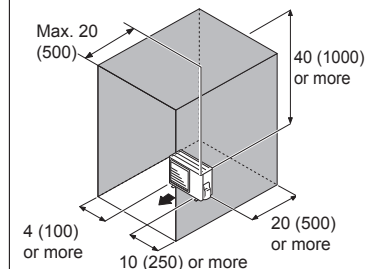


When an obstruction in the upper space: [Unit: in. (mm)]

- (1) Obstacles at the rear and above



- (2) Obstacles at the rear, sides, and above

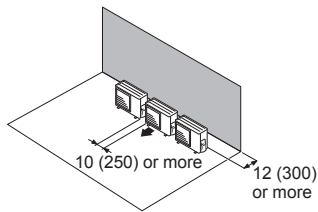


3. 2. 2. Multiple outdoor unit installation

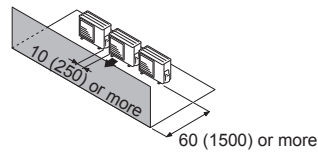
- Provide at least 10 in. (250 mm) of space between the outdoor units if multiple units are installed.
- When routing the piping from the side of an outdoor unit, provide space for the piping.
- No more than 3 units must be installed side by side. When 3 units or more are arranged in a line, provide the space as shown in the following example when an obstruction in the upper space.

When the upper space is open: [Unit: in. (mm)]

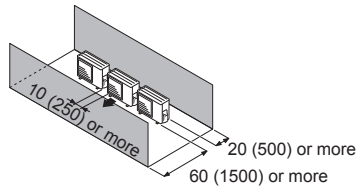
(1) Obstacles at the rear only



(2) Obstacles at the front only

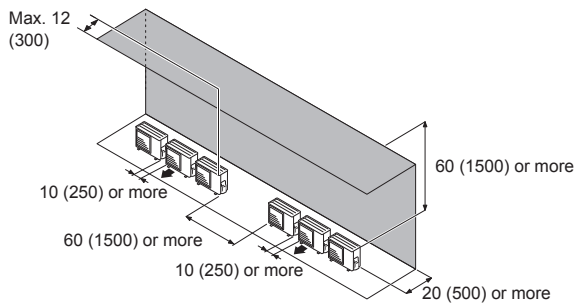


(3) Obstacles at the front and rear



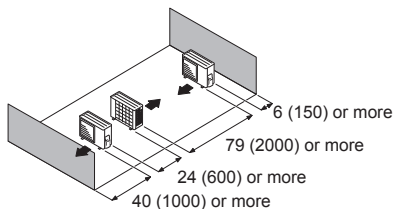
When an obstruction in the upper space: [Unit: in. (mm)]

Obstacles at the rear and above

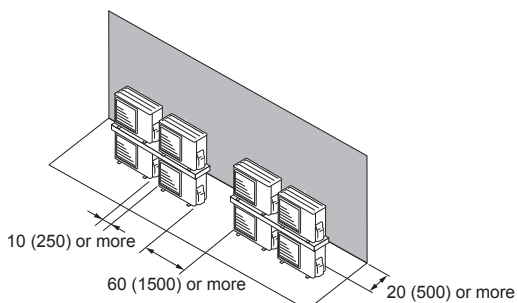
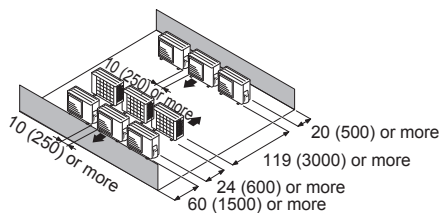


3. 2. 3. Outdoor units installation multi-row [Unit: in. (mm)]

(1) Single parallel unit arrangement



(2) Multiple parallel unit arrangement



NOTES:

- If the space is larger than stated above, the condition will be the same as when there is no obstacle.
- Height above the floor level should be 2 in. (50 mm) or more.
- When installing the outdoor unit, be sure to open the front and left side to obtain better operation efficiency.

3. 3. Placing the unit

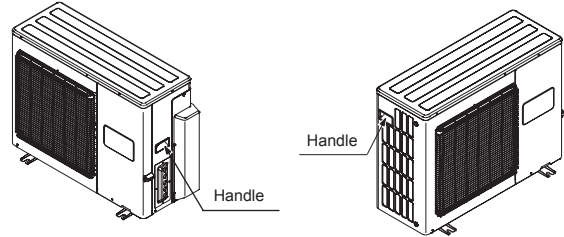
⚠ WARNING

Do not touch the fins. Otherwise, personal injury could result.

⚠ CAUTION

When carrying the unit, hold the handles on the right and left sides and be careful. If the outdoor unit is carried from the bottom, hands or fingers may be pinched.

- Be sure to hold the handles on the sides of the unit. Otherwise, holding the suction grille on the sides of the unit may cause deformation.



3. 4. Drain installation

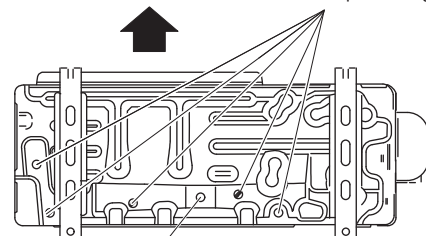
⚠ CAUTION

Perform drain work in accordance with this Manual, and ensure that the drain water is properly drained. If the drain work is not carried out correctly, water may drip down from the unit, wetting the furniture.

When the outdoor temperature is 32 °F or less, do not use the accessory drain pipe and drain cap. If the drain pipe and drain cap are used, the drain water in the pipe may freeze in extremely cold weather. (Reverse cycle model only)

Outdoor unit to be fasten with bolts at the four places indicated by the arrows without fail.

Bottom side AIR Drain cap mounting place

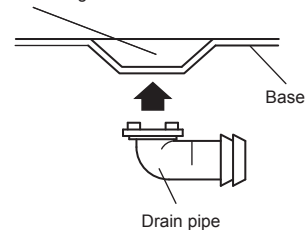


Drain pipe mounting place

Since the drain water flows out of the outdoor unit during heating operation, install the drain pipe and connect it to a commercial 5/8 in. (16 mm) hose. (Reverse cycle model only)

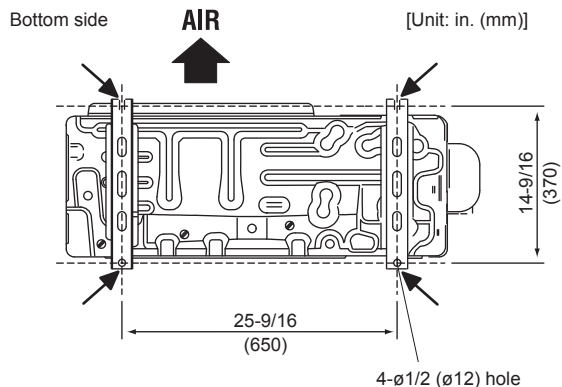
When installing the drain pipe, plug all the holes other than the drain pipe mounting hole in the bottom of the outdoor unit with putty so there is no water leakage. (Reverse cycle model only)

Drain pipe mounting hole

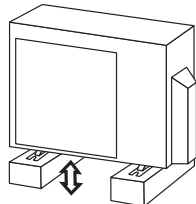
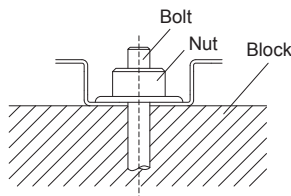


3. 5. Secure the unit

- Install 4 anchor bolts at the locations indicated with arrows in the figure.
- To reduce vibration, do not install the unit directly on the ground. Install it on a secure base (such as concrete blocks).
- The foundation shall support the legs of the unit and have a width of 2 in. (50 mm) or more.
- Depending on the installation conditions, the outdoor unit may spread its vibration during operation, which may cause noise and vibration. Therefore, attach damping materials (such as damping pads) to the outdoor unit during installation.
- Install the foundation, making sure that there is enough space for installing the connection pipes.
- Secure the unit to a solid block using foundation bolts. (Use 4 sets of commercially available M10 bolts, nuts, and washers.)
- The bolts should protrude 0.78 in (20 mm). (Refer to the figure.)
- If overturning prevention is required, purchase the necessary commercially available items.



Fix securely with bolts on a solid block. (Use 4 sets of commercially available M10 bolt, nut and washer.)



- Do not install directly on the ground, this may result in equipment failure.

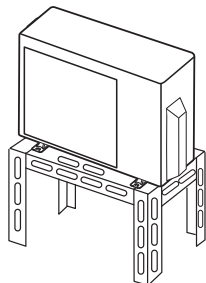
CAUTION

Do not install the outdoor unit in two-stage where the drain water could freeze. Otherwise the drainage from the upper unit may form ice and cause a malfunction of the lower unit.

When the outdoor temperature is 32 °F (0 °C) or less, do not use the accessory drain pipe and drain cap.

If the drain pipe and drain cap are used, the drain water in the pipe may freeze in extremely cold climate. (For reverse cycle model only.)

In area with heavy snowfall, if the inlet and outlet of the outdoor unit is blocked with snow, it might become difficult to get warm, and it is likely to cause product malfunction. Construct a canopy and a pedestal, or place the unit on a high stand that is locally installed.



4. PIPE INSTALLATION - 1

4. 1. Pipe connection

CAUTION

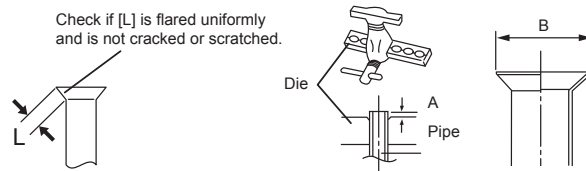
Do not use mineral oil on a flared part. Prevent mineral oil from getting into the system as this would reduce the lifetime of the units.

While welding the pipes, be sure to blow dry nitrogen gas through them.

The maximum lengths of this product are shown in the table. If the units are further apart than this, correct operation cannot be guaranteed.

4. 1. 1. Flaring

- Use special pipe cutter and flare tool exclusive for R410A.
- (1) Cut the connection pipe to the necessary length with a pipe cutter.
- (2) Hold the pipe downward so that the cuttings will not enter the pipe and remove any burrs.
- (3) Insert the flare nut (always use the flare nut attached to the indoor and outdoor units respectively) onto the pipe and perform the flare processing with a flare tool. Leakage of refrigerant may result if other flare nuts are used.
- (4) Protect the pipes by pinching them or with tape to prevent dust, dirt, or water from entering the pipes.



Pipe outside diameter [in. (mm)]	Dimension A [in. (mm)]	Dimension B ⁰ / _{-0.4} [in. (mm)]
	Flare tool for R410A, clutch type	
1/4 (6.35)	0 to 1/16 (0 to 0.5)	3/8 (9.1)
3/8 (9.52)		1/2 (13.2)
1/2 (12.70)		5/8 (16.6)
5/8 (15.88)		3/4 (19.7)
3/4 (19.05)		15/16 (24.0)

- When using conventional flare tools to flare R410A pipes, the dimension A should be approximately 1/16 in. more than indicated in the table (for flaring with R410A flare tools) to achieve the specified flaring. Use a thickness gauge to measure the dimension A.

Width across flats



Pipe outside diameter [in. (mm)]	Width across flats of Flare nut [in. (mm)]
1/4 (6.35)	11/16 (17)
3/8 (9.52)	7/8 (22)
1/2 (12.70)	1-1/32 (26)
5/8 (15.88)	1-5/32 (29)
3/4 (19.05)	1-13/32 (36)

4. 1. 2. Bending pipes

CAUTION

To prevent breaking of the pipe, avoid sharp bends. Bend the pipe with a radius of curvature of 4 in. (100 mm) or more.

If the pipe is bent repeatedly at the same place, it will break.

- If pipes are shaped by hand, be careful not to collapse them.
- Do not bend the pipes at an angle of more than 90°.
- When pipes are repeatedly bent or stretched, the material will harden, making it difficult to bend or stretch them any more.
- Do not bend or stretch the pipes more than 3 times.

4. 1. 3. Pipe connection

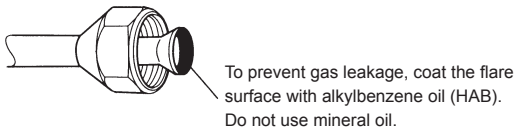
CAUTION

Be sure to install the pipe against the port on the indoor unit and the outdoor unit correctly. If the centering is improper, the flare nut cannot be tightened smoothly. If the flare nut is forced to turn, the threads will be damaged.

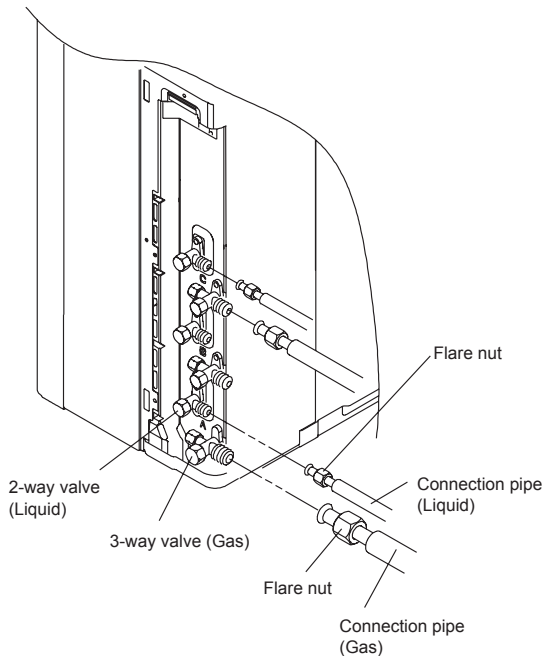
Do not remove the flare nut from the outdoor unit pipe until immediately before connecting the connection pipe.

After installing the piping, make sure that the connection pipes do not touch the compressor or outer panel. If the pipes touch the compressor or outer panel, they will vibrate and produce noise.

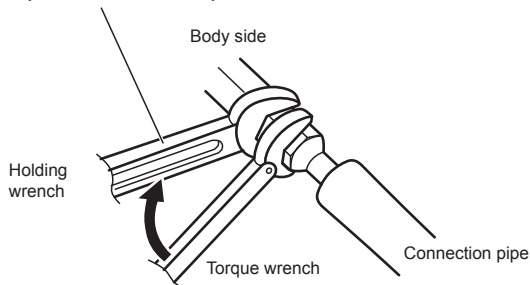
- (1) Detach the caps and plugs from the pipes.
- (2) Center the pipe against the port on the outdoor unit, and then turn the flare nut by hand.



- (3) Attach the connection pipe.



With this model, the Holding wrench can only be inserted horizontally.



- (4) When the flare nut is tightened properly by your hand, use a torque wrench to finally tighten it.

⚠ CAUTION

Hold the torque wrench at its grip, keeping it in a right angle with the pipe, in order to tighten the flare nut correctly.

- Outer panel may be distorted if fastened only with a wrench. Be sure to fix the elementary part with a holding wrench (spanner) and fasten with a torque wrench (refer to below diagram). Do not apply force to the blank cap of the valve or hang a wrench, etc., on the cap. If blank cap is broken, it may cause leakage of refrigerant.

Flare nut [in. (mm)]	Tightening torque [lbf-ft (N·m)]
1/4 (6.35) dia.	11.8 to 13.3 (16 to 18)
3/8 (9.52) dia.	23.6 to 31.0 (32 to 42)
1/2 (12.70) dia.	36.1 to 45.0 (49 to 61)
5/8 (15.88) dia.	46.5 to 55.3 (63 to 75)
3/4 (19.05) dia.	66.4 to 81.1 (90 to 110)

4.1.4. How to use adapter (connection ports of outdoor unit)

- When using the ADAPTER, be careful not to overtighten the nut, or the smaller pipe may be damaged.
- Apply a coat of refrigeration oil to the threaded connection port of the outdoor unit where the flare nut comes in.
- Use appropriate wrenches to avoid damaging the connection thread by overtightening the flare nut.
- Apply wrenches on both of flare nut (local part), and ADAPTER to tighten them.

Adapter tightening torque

Adapter type [in. (mm)]	Tightening torque [lbf-ft (N·m)]
ø1/2 (ø12.70) → ø3/8 (ø9.52)	36.1 to 45.0 (49 to 61)

5. ELECTRICAL WIRING

5.1. The precautions of electrical wiring

⚠ WARNING

Wiring connections must be performed by a qualified person in accordance with specifications. The rated supply of this product is 60Hz, 208/230V. Use a voltage within the range of 187-253V.

Before connecting the wires, make sure the power supply is OFF.

When installing this system in high humidity locations, install using ground fault equipment breakers (often referred to in other countries as an ELCB earth leakage current breaker) to reduce the risk of leaking current which may result in electric shock or potential fire.

Be sure to install a breaker of the specified capacity. When selecting breaker, please comply with the laws and the regulations of each country.

One breaker must be installed on the power supply of the outdoor unit. Wrong selection and setup of the breaker will cause electric shock or fire.

Do not connect AC power supply to the transmission line terminal board. Improper wiring can damage the entire system.

Connect the connector cord securely to the terminal. Faulty installation can cause a fire.

Make sure to secure the insulation portion of the connector cable with the cord clamp. A damaged insulation can cause a short circuit.

Never install a power factor improvement condenser. Instead of improving the power factor, the condenser may overheat.

Before servicing the unit, turn the power supply switch OFF. Then, do not touch electric parts for 10 minutes due to the risk of electric shock.

Make sure to perform grounding work. Improper grounding work can cause electric shocks.

⚠ CAUTION

The primary power supply capacity is for the air conditioner itself, and does not include the concurrent use of other devices.

Do not use crossover power supply wiring for the outdoor unit.

If the electrical power is inadequate, contact your electric power company.

Install a breaker in a location that is not exposed to high temperatures. If the temperature surrounding the breaker is too high, the amperage at which the breaker cuts out may decrease.

We suggest installing GFEB breakers or follow local electrical code. This system uses an inverter, which means that when used with a ground fault breaker you must use breakers that can handle harmonics such as a (GFEB) Ground Fault Equipment Breaker (30 mA or greater) in order to prevent malfunctioning of ground fault device.

When the electrical switchboard is installed outdoors, place it under lock and key so that it is not easily accessible.

Do not fasten the power supply cable and connection cable together.

Always keep to the maximum length of the connection cable. Exceeding the maximum length may lead to erroneous operation.

The static electricity that is charged to the human body can damage the control PC Board when handling the control PC Board for address setting, etc.

Please keep caution to the following points.

Provide the grounding of Indoor unit, Outdoor unit and Option equipment.

Cut off the power supply (breaker).

Touch the metal section (such as the unpainted control box section) of the indoor or outdoor unit for more than 10 seconds. Discharge the static electricity in your body.

Never touch the component terminal or pattern on the PC Board.

5.2. Electrical requirement

⚠ CAUTION

Be sure to install a breaker of the specified capacity.

Regulation of cables and breaker differs from each locality, refer in accordance with local rules.

Voltage rating	1Φ 208/230V (60Hz)
Operating range	187-264V

Cable	Cable size *1)	Remarks
Power supply cable	18 type: 14AWG 24 type: 12AWG	2 cable + Ground, 1 Ø 208/230V
Connection cable	14AWG	3 cable + Ground, 1 Ø 208/230V

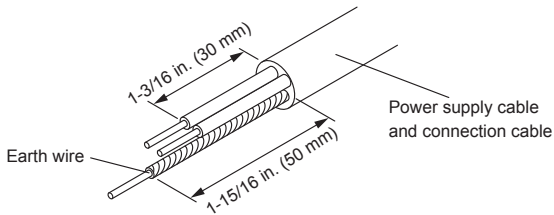
- Selected sample: Select the correct cable type and size according to the country or region's regulations.
Max. wire length: Set a length so that the voltage drop is less than 2%. Increase the wire diameter when the wire length is long.

Breaker	Specification *2)
Circuit breaker	18 type: 15(A) 24 type: 20(A)
Earth leakage breaker	Leakage current : 30mA 0.1sec or less *3)

- Select the appropriate breaker of the described specification according to the national or regional standards.
- Select the breaker that enough load current can pass through it.

5.3. How to connect the wire to the terminals

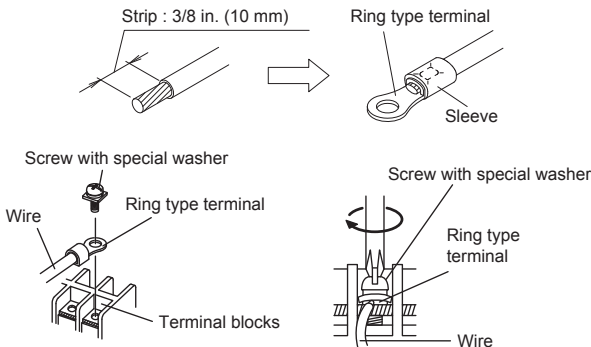
- When stripping off the coating of a lead wire, always use a special tool such as a wire stripper. If there is no special tool available, carefully strip the coating with a knife etc.



How to connect wiring to the terminal

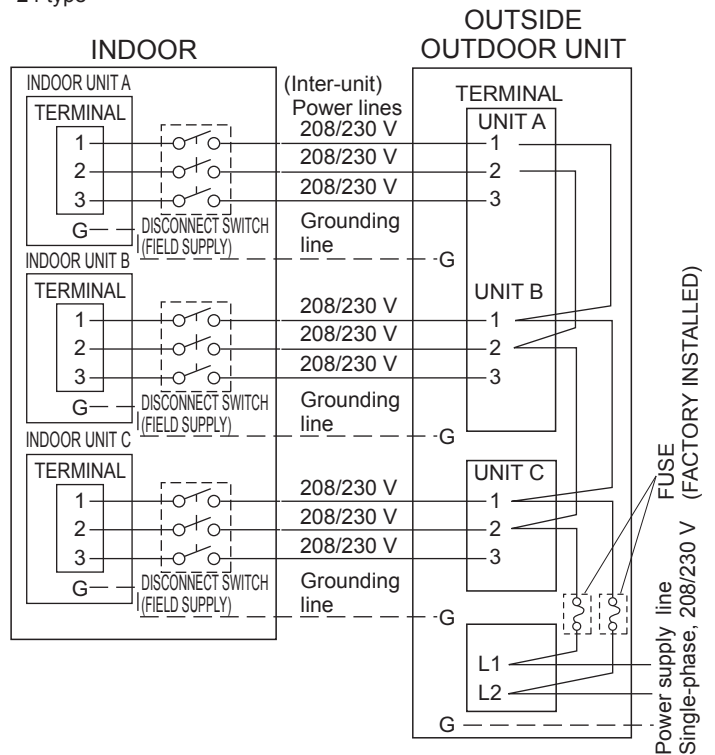
Caution when wiring cable

- Use ring type terminals with insulating sleeves as shown in the figure to connect to the terminal block.
- Securely clamp the ring type terminals to the wires using an appropriate tool so that the wires do not come loose.
- Use the specified wires, connect them securely, and fasten them so that there is no stress placed on the terminals.
- Use an appropriate screwdriver to tighten the terminal screws. Do not use a screwdriver that is too small, otherwise, the screw heads may be damaged and prevent the screws from being properly tightened.
- Do not tighten the terminal screws too much, otherwise, the screws may break.
- See the table below for the terminal screw tightening torques.

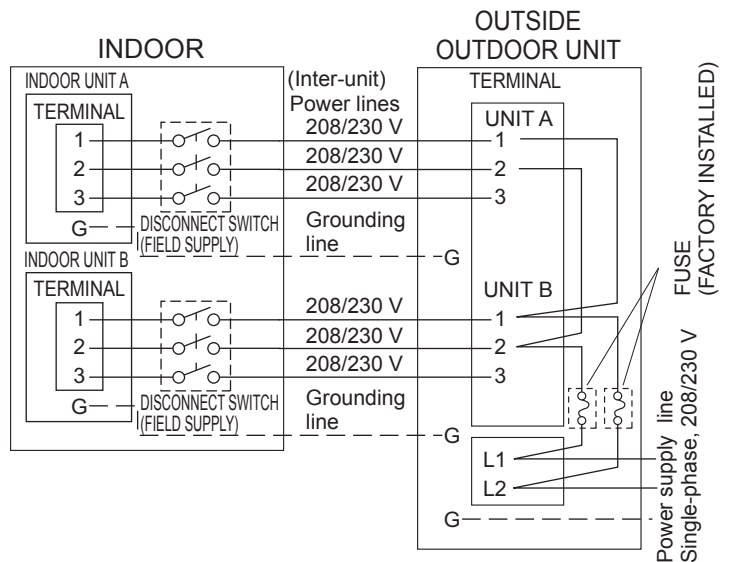


5.4. Connection diagrams

24 type



18 type



⚠ WARNING

Disconnect switch and for over current protection given in the table below is to be installed between the indoor unit and the outdoor unit.

Disconnect switch

15A

⚠ CAUTION

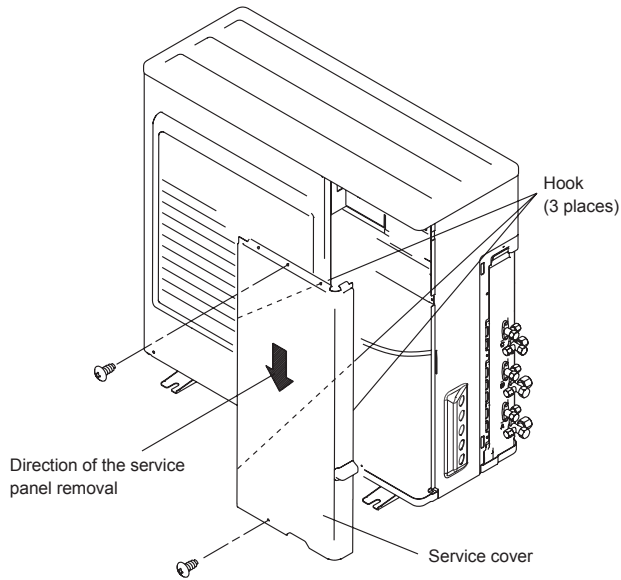
Be sure to refer the above diagram and do correct field wiring. Wrong wiring causes malfunction of the unit.

Check local electrical codes and also any specific wiring instructions or limitation.

5. 5. Wiring method

(1) Service cover removal

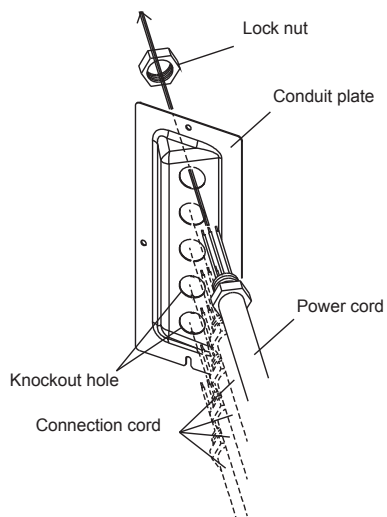
- Remove the two mounting screws.
- Remove the service cover by pushing downwards.



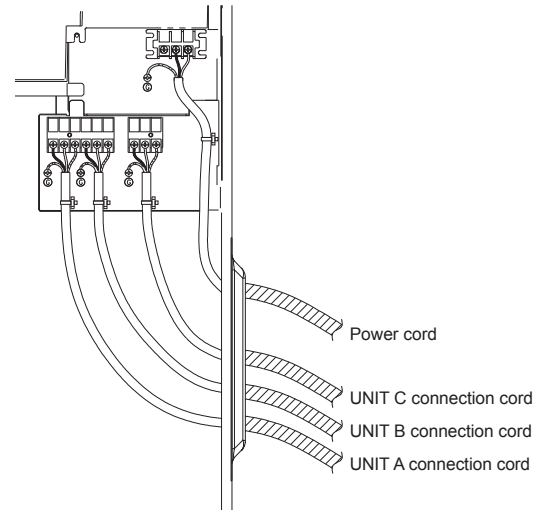
(2) Fasten the power supply cord and the connection cord to the conduit holder using the lock nut.

(Open the knockout holes with the tool so as not to transform conduit plate if necessary.)

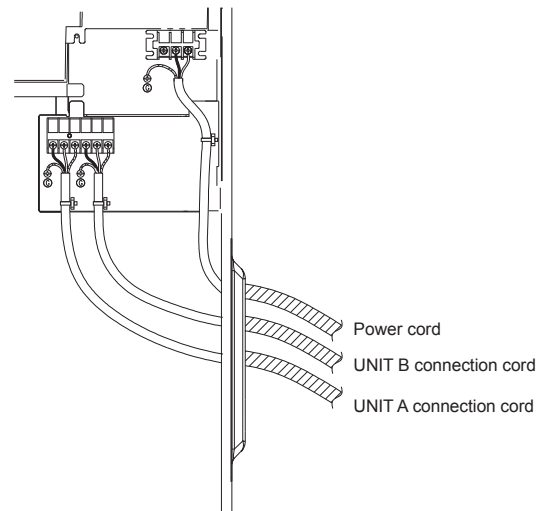
- (3) Connect the power supply cord and the connection cord to terminal.
- (4) Fasten the power supply cord and connection cord with cord clamp.



24 type



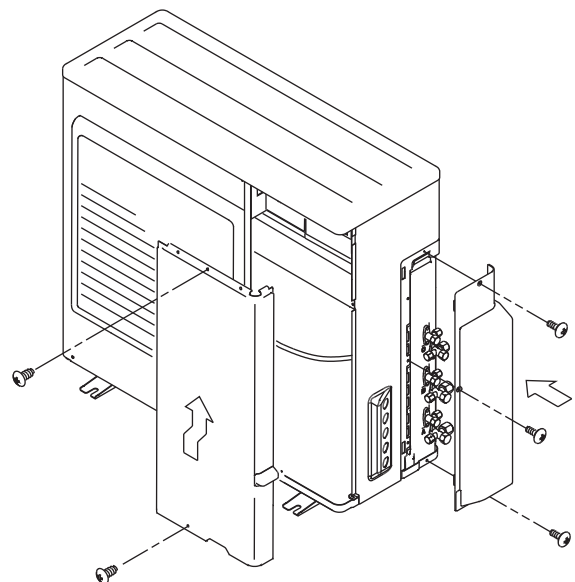
18 type



(5) Be sure to seal the holes when applying the putty.

Place the cords side by side. (Do not overlap the cords.)

(6) Put the service cover and valve cover back after completion of the work.



6. PIPE INSTALLATION - 2

6. 1. Vacuum process

⚠ CAUTION

Always use a vacuum pump to purge the air.

Refrigerant for purging the air is not charged in the outdoor unit at the factory.

Refrigerant must not be discharged into atmosphere.

Use a vacuum pump, gauge manifold and charge hose for R410A exclusively. Using the same vacuum for different refrigerants may damage the vacuum pump or the unit.

After connecting the piping, check the joints for gas leakage with gas leak detector or soapy water.

6. 1. 1. Checking gas leakage and purging air

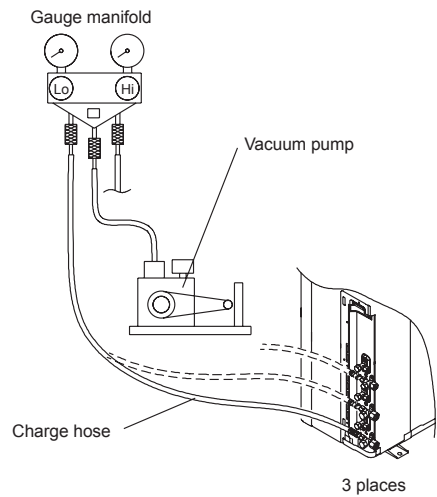
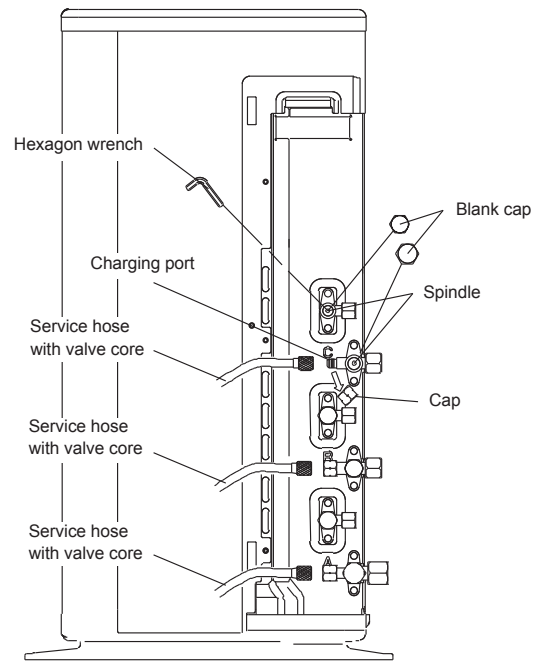
Gas leak checks are performed using either vacuum or nitrogen gas, so select the proper one depending on the situation.

Checking gas leaks with vacuum:

- (1) Check if the piping connections are secure.
- (2) Remove the cap of 3-way valve, and connect the gauge manifold charge hoses to the charging port of the 3-way valve.
- (3) Open the valve of the gauge manifold fully.
- (4) Operate the vacuum pump and start pump down.
- (5) Check that the compound pressure gauge reads 500 microns (-0.1 MPa), operate the vacuum pump for 30 minutes or more in each valve.
- (6) At the end of pump down, close the valve of the gauge manifold fully and stop the vacuum pump.
(It checks that leave as it is for about 10 minutes, and a needle does not return.)
- (7) Disconnect the charge hose from the 3-way valve charging port.
- (8) Remove the blank caps, and fully open the spindles of the 2-way and 3-way valves with a hexagon wrench.
[torque: 4.4 to 5.2 lbf-ft (6 to 7 N·m)].
- (9) Tighten the blank caps and charging port cap of the 2-way valve and 3-way valve to the specified torque.

Checking gas leaks with nitrogen gas:

- (1) Check if the piping connections are secure.
- (2) Remove the cap of 3-way valve, and connect the gauge manifold charge hoses to the charging port of the 3-way valve.
- (3) Pressurize with nitrogen gas using the 3-way valve charging port.
- (4) Do not pressurize up to the specified pressure all at once but do so gradually.
 - ① Increase the pressure up to 73 psi (0.5 MPa), let it sit for about 5 minutes and then check for any decrease in pressure.
 - ② Increase the pressure up to 218 psi (1.5 MPa), let it sit for about 5 minutes and then check for any decrease in pressure.
 - ③ Increase the pressure up to the specified pressure (the pressure designed for the product) and then make a note of it.
- (5) Let it sit at the specified pressure and if there is no decrease in pressure then it is satisfactory. If a pressure decrease is confirmed, there is a leak, so it is necessary to specify the leak location and make minor adjustments.
- (6) Discharge the nitrogen gas and starting removing the gas with a vacuum pump.
- (7) Open the valve of the gauge manifold fully.
- (8) Operate the vacuum pump and start pump down.
- (9) Check that the compound pressure gauge reads 500 microns (-0.1 MPa), operate the vacuum pump for 30 minutes or more in each valve.
- (10) At the end of pump down, close the valve of the gauge manifold fully and stop the vacuum pump.
- (11) Disconnect the charge hose from the 3-way valve charging port.
- (12) Remove the blank caps, and fully open the spindles of the 2-way and 3-way valves with a hexagon wrench.
[torque: 4.4 to 5.2 lbf-ft (6 to 7 N·m)].
- (13) Tighten the blank caps and charging port cap of the 2-way valve and 3-way valve to the specified torque.



⚠ CAUTION

Do not purge the air with refrigerants, but use a vacuum pump to vacuum the installation! There is no extra refrigerant in the outdoor unit for air purging!

Use a vacuum pump and gauge manifold and charging hose for R410A exclusively. Using the same vacuum for different refrigerants may damage the vacuum pump or the unit.

	Flare nut [in. (mm)]	Tightening torque [lbf-ft (N·m)]
Blank cap	1/4 (6.35)	14.8 to 18.4 (20 to 25)
	3/8 (9.52)	14.8 to 18.4 (20 to 25)
	1/2 (12.70)	18.4 to 22.1 (25 to 30)
	5/8 (15.88)	22.1 to 25.8 (30 to 35)
	3/4 (19.05)	25.8 to 29.5 (35 to 40)
Charging port cap		7.4 to 8.8 (10 to 12)

6.2. Additional charging

Refrigerant suitable for a total piping length of 98 ft (30 m) is charged in the outdoor unit at the factory.

When the piping is longer than 98 ft (30 m), additional charging is necessary.

For the additional amount, see the table below.

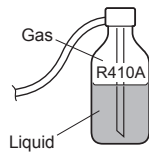
Total piping length	98 ft (30 m)	131 ft (40 m)	164 ft (50 m)	
Additional refrigerant	None	7.1 oz (200 g)	14.1 oz (400 g)	0.21 oz/ft (20 g/m)

⚠ CAUTION

When moving and installing the air conditioner, do not mix gas other than the specified refrigerant (R410A) inside the refrigerant cycle.

When charging the refrigerant R410A, always use an electronic balance for refrigerant charging (to measure the refrigerant by weight).

When charging the refrigerant, take into account the slight change in the composition of the gas and liquid phases, and always charge from the liquid phase side whose composition is stable.



Add refrigerant from the charging valve after the completion of the work.

If the units are further apart than the maximum pipe length, correct operation cannot be guaranteed.

7. POWER

⚠ WARNING

The rated voltage of this product is 208/230 V A.C. 60 Hz.

Before turning on verify that the voltage is within the 187 V to 253 V range.

Always use a special branch circuit and install a special receptacle to supply power to the air conditioner.

Use a special branch circuit breaker and receptacle matched to the capacity of the air conditioner. (Install in accordance with standard.)

Perform wiring work in accordance with standards so that the air conditioner can be operated safely and positively.

Install a leakage special branch circuit breaker in accordance with the related laws and regulations and electric company standards.

⚠ CAUTION

The power source capacity must be the sum of the air conditioner current and the current of other electrical appliances. When the current contracted capacity is insufficient, change the contracted capacity.

When the voltage is low and the air conditioner is difficult to start, contact the power company the voltage raised.

8. TEST RUN

The test run method may be different for each indoor unit that is connected. Refer to the installation instruction sheet included with each indoor unit.

⚠ CAUTION

Always turn on the power 12 hours prior to the start of the operation in order to ensure compressor protection.

8.1. Make a test run in accordance with the installation Manual for the indoor unit

(1) Indoor unit

- ① Is operation of each button on the remote control unit normal?
- ② Does each lamp light normally?
- ③ Do the airflow direction louver operate normally?
- ④ Is the drain normal?
- ⑤ Is there any abnormal noise and vibration during operation?

(2) Outdoor unit

- ① Is there any abnormal noise and vibration during operation?
 - ② Will noise, wind, or drain water from the unit disturb the neighbors?
 - ③ Is there any gas leakage?
- Do not operate the air conditioner in the test running state for a long time.
 - For the operation method, refer to the operating manual and perform operation check.

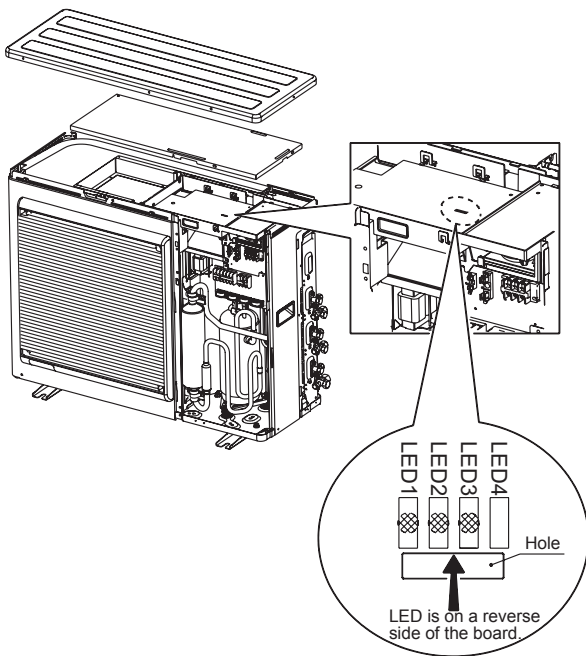
8.2. Outdoor unit LED

When a malfunction occurs in the outdoor unit, the LED on the circuit board lights to indicate the error. Refer to the following table for the description of each error according to the LED.

Error contents	LED1	LED2	LED3
Serial Communication error (Outdoor unit to Indoor unit A)	● 1 time	–	–
Serial Communication error (Outdoor unit to Indoor unit B)	–	● 1 time	–
Serial Communication error (Outdoor unit to Indoor unit C) ¹	–	–	● 1 time
Discharge temp. sensor error	● 2 times	–	–
Outdoor unit Heat Ex. middle temp. sensor error	● 3 times	–	–
Outdoor temp. sensor error	● 4 times	–	–
2-way valve temp. sensor error (for Indoor unit A)	● 5 times	–	–
2-way valve temp. sensor error (for Indoor unit B)	–	● 5 times	–
2-way valve temp. sensor error (for Indoor unit C) ¹	–	–	● 5 times
3-way valve temp. sensor error (for Indoor unit A)	● 6 times	–	–
3-way valve temp. sensor error (for Indoor unit B)	–	● 6 times	–
3-way valve temp. sensor error (for Indoor unit C) ¹	–	–	● 6 times
Compressor temp. sensor error	● 7 times	–	–
Heat sink temp. sensor error	● 8 times	–	–
High pressure switch 1 error	● 9 times	–	–
High pressure switch 2 error	● 10 times	–	–
Indoor unit capacity error	● 11 times	–	–
Trip detection	● 12 times	–	–
Compressor rotor position detection error	● 13 times	–	–
Trip terminal L error	● 14 times	–	–
Outdoor unit fan motor error	● 15 times	–	–
Outdoor unit PCB microcomputer communication error	● 17 times	–	–
Discharge temperature error	● 18 times	–	–
Compressor temperature error	● 19 times	–	–
4-way valve error	● 20 times	–	–
Outdoor unit PCB model information error	● 21 times	–	–
Active filter error, PFC circuit error	● 22 times	–	–

● : flashing – : Off

*1: 24 type only



8.3. Confirming the operation of indoor unit

Run the unit in a normal way, and confirm its operation. (Please end the test run first before confirmation)

- (1) Cold air (or warm air) must be discharged from the indoor unit.
- (2) The indoor unit operates normally when air direction or air volume adjustment buttons pressed.

9. PUMP DOWN

PUMP DOWN OPERATION

To avoid discharging refrigerant into the atmosphere at the time of relocation or disposal, recover refrigerant by doing the cooling operation or forced cooling operation according to the following procedure. (When the cooling operation cannot start in winter, and so on, start the forced cooling operation.)

- (1) Do the air purging of the charge hose by connecting the charging hose of gauge manifold to the charging port of 3 way valve (At least one unit of connected units) and opening the low pressure valve slightly.
- (2) Close the valve stem of 2 way valve (All connected units) completely.
- (3) Start the cooling operation or following forced cooling operation. (All connected units) When using the remote control unit Press the TEST RUN button after starting the cooling operation by the remote control unit. The operation indicator lamp and timer indicator lamp will begin to flash simultaneously during test run. When using the MANUAL AUTO button of the indoor unit (The remote control unit is lost, and so on.) Keep on pressing the MANUAL AUTO button of the indoor unit for more than 10 seconds. (The forced cooling operation cannot start if the MANUAL AUTO button is not kept on pressing for more than 10 seconds.)
- (4) Close the valve stem of 3 way valve (All connected units) when the reading on the compound pressure gauge becomes 7.3 to 0 psi (0.05 to 0 MPa).
- (5) Stop the operation. (All connected units) Press the START/STOP button of the remote control unit to stop the operation. Press the MANUAL AUTO button when stopping the operation from indoor unit side. (It is not necessary to press on keeping for more than 10 seconds.)

⚠ CAUTION

During the pump-down operation, make sure that compressor is off before you remove the refrigerant piping. Do not remove the connection pipe while the compressor is in operation with 2 or 3 way valve open. This may cause abnormal pressure in the refrigeration cycle that breakage and injury.

10. CUSTOMER GUIDANCE

Explain the following to the customer in accordance with the operating manual:

- (1) Starting and stopping method, operation switching, temperature adjustment, timer, air flow adjustment, and other remote control unit operations.
- (2) Air filter removal and cleaning.
- (3) Give the operating manual and installation instruction sheet to the customer.

MANUEL D'INSTALLATION

N° DE PIÈCE 9374747177

Unité extérieure

Table des matières

1. PRÉCAUTIONS DE SÉCURITÉ.....	1
2. À PROPOS DE CE PRODUIT.....	2
2.1. Précautions relatives à l'utilisation du produit réfrigérant R410A	2
2.2. Outils spéciaux pour réfrigérant R410A	2
2.3. Accessoires	2
2.4. Configuration du système	3
3. TRAVAUX D'INSTALLATION	5
3.1. Choix du lieu d'installation	5
3.2. Dimensions pour l'installation	5
3.3. Placement de l'unité	6
3.4. Installation de l'évacuation	6
3.5. Fixation de l'unité	7
4. INSTALLATION DES TUYAUX - 1	7
4.1. Raccordement des tuyaux	7
5. CÂBLAGE ÉLECTRIQUE	8
5.1. Précautions à prendre pour le câblage électrique	8
5.2. Connexions électriques requises	9
5.3. Comment connecter le fil aux bornes	9
5.4. Schémas de raccordement	9
5.5. Méthode de câblage	10
6. INSTALLATION DES TUYAUX - 2	11
6.1. Processus de mise sous vide.....	11
6.2. Changement supplémentaire	12
7. ALIMENTATION.....	12
8. TEST DE FONCTIONNEMENT	12
8.1. Réalisation du test de fonctionnement conformément au manuel d'installation de l'unité intérieure	12
8.2. Voyant de l'unité extérieure	12
8.3. Vérification du fonctionnement de l'appareil intérieur.....	13
9. ÉVACUATION	13
10. CONSEILS AU CLIENT	13

1. PRÉCAUTIONS DE SÉCURITÉ

Ce mode d'emploi décrit la procédure d'installation de l'appareil extérieur uniquement. Pour installer l'appareil intérieur, consultez le mode d'emploi fourni avec celui-ci.

IMPORTANT!

Lire les informations suivantes avant de commencer l'installation

Le présent système de climatisation répond aux exigences strictes des normes de sécurité et de fonctionnement. En tant qu'installateur ou technicien, il est important pour votre travail d'installer ou de réparer correctement le système de sorte qu'il fonctionne de manière efficace et en toute sécurité.

Pour une installation en toute sécurité et sans problèmes, vous devez :

- Lire attentivement les instructions de cette brochure avant de commencer l'installation.
- Suivre chaque phase d'installation ou de réparation exactement dans l'ordre indiqué.
- Respecter tous les codes d'électricité locaux, nationaux et internationaux.
- Faire extrêmement attention à tous les signalements de avertissement et de précautions donnés dans ce manuel.

AVERTISSEMENT :

Ce symbole indique des pratiques dangereuses ou peu sûres qui peuvent provoquer des blessures graves, voire mortelles.

ATTENTION :

Ce symbole indique des pratiques dangereuses ou peu sûres qui peuvent provoquer des blessures personnelles et des risques d'endommagement du produit ou des biens.

- Symboles d'avertissement



Électriques



Sécurité / Danger

Demander de l'aide si nécessaire

Les présentes instructions suffisent pour la plupart des sites d'installation et des conditions de maintenance. Si vous avez besoin d'aide pour un problème spécifique, contacter notre service après-vente ou le revendeur agréé pour obtenir des indications supplémentaires.

En cas de mauvaise installation

Le fabricant ne peut en aucun cas être tenu responsable de problèmes résultant d'une installation incorrecte ou de services de maintenance inadéquats, y compris du non-respect des instructions comprises dans le présent document.

PRECAUTIONS SPECIALES

Lors du câblage

LES CHOCS ELECTRIQUES PEUVENT PROVOQUER DES BLESSURES PERSONNELLES GRAVES, VOIRE MORTELLES. SEUL UN ELECTRICIEN QUALIFIE ET EXPERIMENTE DOIT PROCEDER AU CABLAGE DU SYSTEME.

- Ne pas mettre l'appareil sous tension tant que tout le câblage et la mise en place des tuyaux ne sont pas terminés ou tant que ces câbles et tuyaux ne sont pas reconnectés et vérifiés.
- Le présent système utilise des tensions électriques extrêmement dangereuses. Consulter attentivement le diagramme de câblage et lire les présentes instructions lors du branchement des différents câbles. Des connexions inadéquates et une mauvaise mise à la terre peuvent provoquer des blessures accidentelles voire mortelles.
- Mettre l'appareil à la terre en respectant les codes d'électricité locaux.
- Raccorder fermement tous les câbles. Des câbles trop lâches peuvent provoquer une surchauffe aux points de connexion et éventuellement un risque d'incendie.

Lors du transport

Faire très attention lorsque vous soulevez les appareils intérieur et extérieur pour les déplacer. Demandez l'aide d'un partenaire et pliez les genoux pour soulever les appareils afin de réduire la pression exercée sur le dos. Faire également attention de ne pas se couper les doigts aux bords effilés ou aux fines ailettes en aluminium.

Lors de l'installation...

...Sur un plafond ou un mur

Vérifier si le plafond/le mur est suffisamment robuste pour supporter le poids de l'appareil. Il peut s'avérer nécessaire de construire un cadre en bois ou en métal pour fournir un support supplémentaire.

...Dans une pièce

Isoler correctement tout tuyau passant dans la pièce pour éviter la «condensation» qui pourrait provoquer la formation de gouttes d'eau et ainsi dégrader les murs et les sols.

...Dans des lieux humides ou à surface inégale

Utiliser une plateforme en béton surélevée ou des blocs de béton pour fournir des fondations solides et à niveau pour l'appareil extérieur, afin d'éviter tout dégât dû à l'eau et des vibrations anormales.

...Dans une région soumise à des vents violents

Ancrer fermement l'appareil extérieur et le fixer avec des boulons sur un cadre métallique. Fournir une protection adéquate contre le vent.

...Dans une région souvent enneigée (pour les systèmes avec pompe de chaleur)

Installer l'unité extérieure sur un support surélevé plus haute que l'épaisseur de neige maximum envisagée. Prévoir des orifices de ventilation pour la neige.

Lors du branchement des tuyaux de réfrigérant

- Ne pas allonger inutilement les tuyaux.
- Utiliser la méthode évasée pour le raccordement des tuyaux.
- Appliquer de l'huile de compresseur frigorifique (ou un équivalent) utilisée pour l'unité extérieure sur les surfaces correspondantes des tuyauteries coniques et de raccordement avant de les connecter, puis serrer l'écrou avec une clé dynamométrique pour éviter que le raccordement fuie.
- Vérifier soigneusement s'il n'y a pas de fuites avant de lancer l'essai de fonctionnement.

REMARQUE :

En fonction du type de système, les tuyaux de liquide et de gaz peuvent être soit étroits soit larges. Dès lors, pour éviter toute confusion, les tuyaux de réfrigérant pour votre modèle précis sont marqués «petit» ou «gros» plutôt que «liquide» ou «gaz».

Lors d'interventions techniques

- Mettre le système hors tension (OFF) au niveau du panneau de disjoncteur principal avant d'ouvrir l'appareil pour vérifier ou réparer les composants électriques et les câbles.
- Tenir les doigts et les vêtements à l'écart de tout élément mobile.
- Nettoyer convenablement l'endroit lorsque vous avez terminé, en veillant à ne laisser aucune pièce métallique ou débris de câble à l'intérieur de l'appareil.
- Une fois l'installation terminée, expliquer le fonctionnement correct du système à l'utilisateur, en se référant au manuel d'utilisation.
 - Avant d'installer cet appareil, veuillez lire attentivement ce manuel.
 - Les avertissements et précautions indiqués dans ce manuel contiennent des informations importantes se rapportant à votre sécurité. Veillez à les respecter.
 - Remettez ce manuel au client en même temps que le manuel d'utilisation.
 - Demandez-lui de les conserver sur place pour une future utilisation, comme par exemple pour déplacer ou réparer l'unité.
- Une fois l'installation terminée, expliquer le fonctionnement correct du système à l'utilisateur, en se référant au manuel d'utilisation.



AVERTISSEMENT

Ne jamais toucher des composants électriques immédiatement après avoir coupé l'alimentation. Possibilité de choc électrique. Toujours attendre 5 minutes ou plus après avoir coupé l'alimentation avant de toucher à des composants électriques.

Pendant l'installation, assurez-vous que la canalisation du produit réfrigérant est fermement raccordée avant de mettre en marche le compresseur. Ne faites pas fonctionner le compresseur si la canalisation du produit réfrigérant n'est pas correctement raccordée avec une valve à 2 voies ou à 3 voies ouverte. Ceci pourrait provoquer une pression anormale dans le cycle du produit réfrigérant et entraîner une rupture, voire des blessures.

Ne retirez pas la canalisation de raccordement lorsque le compresseur fonctionne avec une valve à 2 voies ou à 3 voies ouverte. Ceci pourrait provoquer une pression anormale dans le cycle du produit réfrigérant et entraîner une rupture, voire des blessures.

Lors de l'installation et du déplacement du climatiseur, ne mélangez pas des gaz différents du produit réfrigérant spécifié (R410A) pour les faire pénétrer dans le cycle du produit réfrigérant. Si de l'air ou un autre gaz pénètre dans le cycle du produit réfrigérant, la pression à l'intérieur de celui-ci augmentera jusqu'à une valeur anormale et provoquera une rupture, des blessures, etc.

Si ce système doit être installé dans un endroit très humide, installez-le avec des disjoncteurs d'équipement de fuite à la terre (également appelés ELCB ou disjoncteurs de protection à courant de fuite à la terre) afin de réduire le risque de courant de fuite pouvant entraîner un choc électrique, voire un incendie.

⚠ ATTENTION

Pour que le climatiseur fonctionne de façon satisfaisante, l'installer comme indiqué dans ce manuel d'installation.

Connectez l'appareil intérieur et l'appareil extérieur avec les pièces standard de tuyauterie et de câbles disponibles. Ce manuel d'installation décrit les raccordements appropriés à l'aide des ensembles d'installation disponibles parmi nos pièces détachées.

L'installation ne doit être faite que par des personnes autorisées et conformément aux normes de câblage nationales.

De plus, il ne faut pas utiliser de rallonge.

Ne pas alimenter l'appareil avant la fin de l'installation.

Ne pas purger l'air dans les réfrigérants, utiliser plutôt une pompe à dépression pour purger l'installation.

Il n'y a pas d'autre réfrigérant à purger dans l'unité extérieure.

Utiliser une pompe à dépression pour R410A exclusivement.

L'utilisation de la même pompe à dépression pour différents types de réfrigérant pourrait endommager la pompe à dépression ou l'appareil.

Utiliser une console à manomètres propre et un tuyau de charge pour R410A exclusivement.

En cas de fuite du réfrigérant durant le travail, aérer la pièce. Si le réfrigérant entre en contact avec une flamme, il produit un gaz toxique.

- Prenez soin de ne pas rayer le climatiseur lorsque vous le manipulez.
- Une fois l'installation terminée, expliquer le fonctionnement correct de l'appareil à l'utilisateur, en se reportant au mode d'emploi.
- Laissez le client conserver ce manuel d'installation parce qu'il sera nécessaire à l'entretien ou au déplacement du climatiseur.
- Ce produit est fabriqué suivant des tolérances et unités métriques. Les unités de mesure américaines sont données à titre indicatif uniquement. Au cas où les dimensions et les tolérances exactes sont demandées, référez-vous toujours aux unités métriques.

2. À PROPOS DE CE PRODUIT

2.1. Précautions relatives à l'utilisation du produit réfrigérant R410A

⚠ AVERTISSEMENT

Les procédures pour les travaux d'installation de base sont les mêmes que celles pour les modèles avec réfrigérant conventionnel.

Il faut toutefois être très attentif aux points suivants :

Comme la pression de travail est 1,6 fois plus élevée que celle des modèles avec réfrigérant conventionnel (R22), certains tuyaux et outils d'installations et de réparation sont spéciaux. (Voir le tableau ci-dessous.)

Plus particulièrement, lors du remplacement d'un modèle avec réfrigérant conventionnel (R22) par un modèle avec le nouveau réfrigérant R410A, remplacer toujours les tuyaux conventionnels et les écrous évasés par des tuyaux et des écrous évasés pour R410A.

Les modèles utilisant le réfrigérant R410A possèdent un diamètre de filetage des orifices de remplissage différent pour éviter le remplissage par erreur avec un réfrigérant conventionnel (R22) et pour des questions de sécurité. Il faut donc le vérifier avant de commencer. [Le diamètre du filetage de l'orifice de remplissage du R410A est 1/2 UNF (20 filets par pouce).]

Veiller à ce qu'aucun corps étranger (huile, eau, etc.) ne pénètre dans la tuyauterie des modèles avec réfrigérant. De plus, lors de l'entreposage de la tuyauterie, bien sceller les ouvertures en les pinçant, les collant avec du ruban adhésif, etc.

Lors du remplissage du réfrigérant, tenir compte de la légère modification de composition des phases gazeuses et liquides. Toujours effectuer le remplissage à partir de la phase liquide où la composition du réfrigérant est stable.

2.2. Outils spéciaux pour réfrigérant R410A

Nom des outils	Contenu du changement
Manomètre haute et basse pression	La pression est élevée et ne peut être mesurée avec un manomètre conventionnel. Pour empêcher un mélange par erreur d'autres réfrigérants, le diamètre de chacun des orifices a été modifié. Nous vous recommandons d'utiliser le manomètre avec des joints de 30 in. Hg à 769 psi (-0,1 à 5,3 MPa) pour une haute pression. 30 in. Hg à 551 psi (-0,1 à 3,8 MPa) pour une faible pression.
Tuyau de charge	Pour augmenter la résistance de la pression, le matériau du flexible et la taille de la base ont été modifiés.
Pompe à vide	Il est possible d'utiliser une pompe à vide conventionnelle en installant un adaptateur de pompe à vide.
Détecteur de fuite de gaz	Détecteur de fuite de gaz spécial pour le réfrigérant R410A avec HCF.

Tuyaux de cuivre

Il faut absolument utiliser des tuyaux en cuivre sans soudure et il serait préférable que la quantité d'huile résiduelle soit inférieure à 0,004 oz/100 ft (40 mg/10 m). Ne pas utiliser des tuyaux en cuivre dont une partie est écrasée, déformée ou décolorée (en particulier sur la surface intérieure). Le détendeur ou le détendeur capillaire pourrait alors être obstrué par des contaminants.

Un climatiseur utilisant du R410A subissant une pression supérieure à celle rencontrée avec du réfrigérant conventionnel, il est indispensable de choisir des matériaux adaptés. L'épaisseur des tuyaux en cuivre utilisés avec le R410A est indiquée dans un tableau. Ne jamais utiliser des tuyaux en cuivre plus minces que ceux indiqués dans le tableau, même s'ils sont disponibles sur le marché.

Épaisseurs des tuyaux de cuivre annelés (R410A)




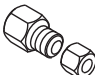
Diamètre extérieur du tuyau [in. (mm)]	Épaisseur [in. (mm)]
1/4 (6,35)	1/16 (0,80)
3/8 (9,52)	1/16 (0,80)
1/2 (12,70)	1/16 (0,80)
5/8 (15,88)	1/16 (1,00)
3/4 (19,05)	1/16 (1,20)

2.3. Accessoires

⚠ AVERTISSEMENT

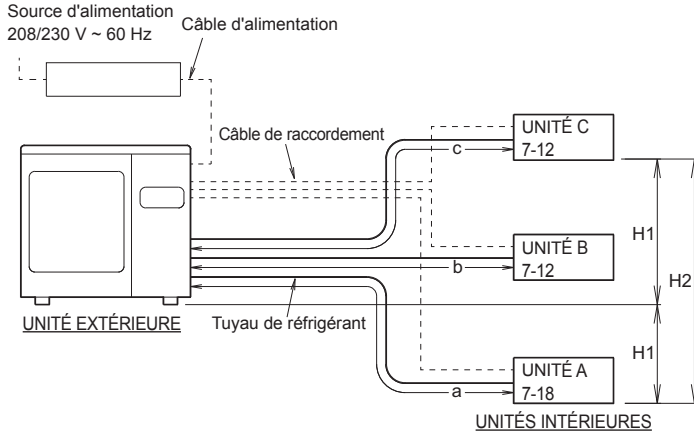
Pour l'installation, veillez à utiliser les pièces fournies par le fabricant ou d'autres pièces recommandées. L'utilisation de pièces non recommandées peut provoquer de graves accidents tels que chute de l'unité, fuites d'eau, choc électrique ou incendie.

Ne jetez pas les pièces de raccordement tant que l'installation n'est pas terminée.

Nom et Forme	Qté	Application
Manuel d'installation 	1	(Cet ouvrage)
Coiffe d'évacuation 	5	Pour l'installation de la tuyauterie de vidange de l'unité extérieure
Tuyau de vidange 	1	
Adaptateur 1/2 in. → 3/8 in. (12,70 mm) (9,52 mm) 	1	À utiliser lors du raccordement des modèles 7 à 12 au port extérieur A [type 24 uniquement]

2. 4. Configuration du système

2. 4. 1. Type de capacité de l'unité intérieure pouvant être raccordée (unité extérieure : type 24)



⚠ ATTENTION

La puissance totale des unités intérieures raccordées doit être comprise entre 14 000 et 27 000 BTU.

Les modèles de raccordement sont limités. Un fonctionnement normal n'est pas garanti si le modèle raccordé dans la combinaison ne figure pas dans la liste ci-dessous. Le produit risque alors d'être endommagé. Veuillez à le raccorder selon la combinaison du modèle de raccordement suivant.

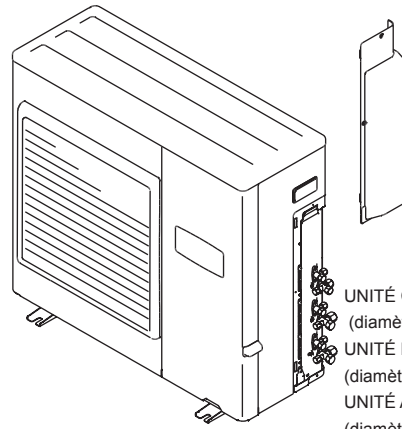
- Pour installer une unité intérieure, reportez-vous au feuillet des consignes d'installation fourni avec l'unité intérieure.

Modèle de raccordement de l'unité intérieure

	Unité intérieure		
	1	2	3
1	7 000	7 000	–
2	9 000	7 000	–
3	12 000	7 000	–
4	15 000	7 000	–
5	18 000	7 000	–
6	9 000	9 000	–
7	12 000	9 000	–
8	15 000	9 000	–
9	18 000	9 000	–
10	12 000	12 000	–
11	15 000	12 000	–
12	7 000	7 000	7 000
13	9 000	7 000	7 000
14	12 000	7 000	7 000
15	9 000	9 000	7 000
16	9 000	9 000	9 000

Port extérieur		Nom du modèle raccordable
Taille de port standard		
C	1/4 (6,35) / 3/8 (9,52)	7 – 12
B	1/4 (6,35) / 3/8 (9,52)	7 – 12
A	1/4 (6,35) / 1/2 (12,70)	7 – 12 ^{*1} /15 – 18

*1) L'adaptateur fourni est nécessaire pour raccorder les modèles 7 à 12 à l'unité extérieure.
Pour plus d'informations, reportez-vous à la section « 4.1.4. Utilisation de l'adaptateur ».



UNITÉ C diamètre 1/4 in., diamètre 3/8 in.
(diamètre 6,35 mm, diamètre 9,52 mm)
UNITÉ B diamètre 1/4 in., diamètre 3/8 in.
(diamètre 6,35 mm, diamètre 9,52 mm)
UNITÉ A diamètre 1/4 in., diamètre 1/2 in.
(diamètre 6,35 mm, diamètre 12,70 mm)

2. 4. 2. Limitation de la longueur de la tuyauterie de réfrigérant (type 24)

⚠ ATTENTION

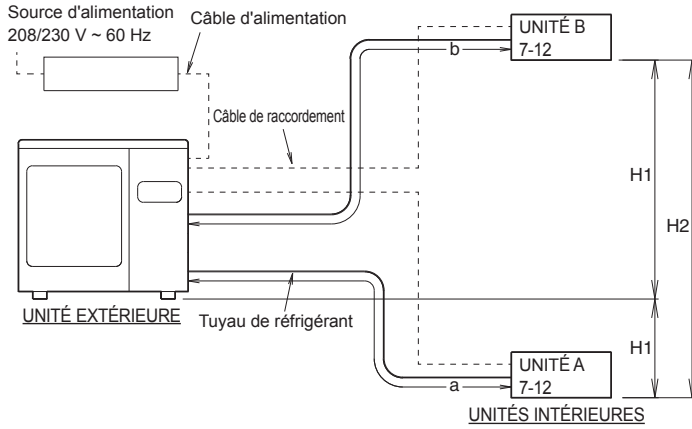
Les longueurs de tuyau et la différence de hauteur maximales totales de ce produit sont indiquées dans le tableau.

Le bon fonctionnement de l'unité n'est pas garanti si les longueurs sont supérieures à celles indiquées.

Longueur maximale totale (a+b+c)	164 ft (50 m) ^{*1}
Longueur maximale pour chaque unité intérieure (a, b ou c)	82 ft (25 m)
Différence de hauteur maximale entre l'unité extérieure et chaque unité intérieure (H1)	49 ft (15 m)
Différence de hauteur maximale entre les unités intérieures (H2)	33 ft (10 m)
Longueur minimale pour chaque unité intérieure (a, b ou c)	16 ft (5 m)
Longueur minimale totale (a+b+c)	49 ft (15 m)

*1 Si la longueur totale de tuyau est supérieure à 98 ft (30 m), une charge supplémentaire de réfrigérant est nécessaire. (Pour plus d'informations, reportez-vous à la section « 6.2. Changement supplémentaire ».)

2. 4. 3. Type de capacité de l'unité intérieure pouvant être raccordée (unité extérieure : type 18)



ATTENTION

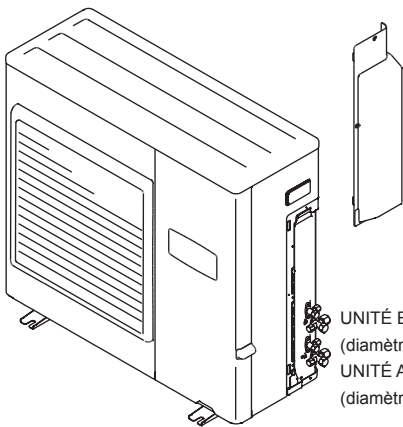
La puissance totale des unités intérieures raccordées doit être comprise entre 14 000 et 21 000 BTU. Les modèles de raccordement sont limités. Un fonctionnement normal n'est pas garanti si le modèle raccordé dans la combinaison ne figure pas dans la liste ci-dessous. Le produit risque alors d'être endommagé. Veuillez à le raccorder selon la combinaison du modèle de raccordement suivant.

- Pour installer une unité intérieure, reportez-vous au feuillet des consignes d'installation fourni avec l'unité intérieure.

Modèle de raccordement de l'unité intérieure

	Unité intérieure	
	1	2
1	7 000	7 000
2	9 000	7 000
3	12 000	7 000
4	9 000	9 000
5	12 000	9 000

Port extérieur		Nom du modèle raccordable
Taille de port standard [in. (mm)]		
B	1/4 (6,35) / 3/8 (9,52)	7 – 12
A	1/4 (6,35) / 3/8 (9,52)	7 – 12



UNITÉ B diamètre 1/4 in., diamètre 3/8 in.
(diamètre 6,35 mm, diamètre 9,52 mm)
UNITÉ A diamètre 1/4 in., diamètre 3/8 in.
(diamètre 6,35 mm, diamètre 9,52 mm)

2. 4. 4. Limitation de la longueur de la tuyauterie de réfrigérant (type 18)

ATTENTION

Les longueurs de tuyau et la différence de hauteur maximales totales de ce produit sont indiquées dans le tableau. Le bon fonctionnement de l'unité n'est pas garanti si les longueurs sont supérieures à celles indiquées.

Longueur maximale totale (a+b)	164 ft (50 m)* ¹
Longueur maximale pour chaque unité intérieure (a ou b)	82 ft (25 m)
Différence de hauteur maximale entre l'unité extérieure et chaque unité intérieure (H1)	49 ft (15 m)
Différence de hauteur maximale entre les unités intérieures (H2)	33 ft (10 m)
Longueur minimale pour chaque unité intérieure (a ou b)	16 ft (5 m)
Longueur minimale totale (a+b)	49 ft (15 m)

*1 Si la longueur totale de tuyau est supérieure à 98 ft (30 m), une charge supplémentaire de réfrigérant est nécessaire. (Pour plus d'informations, reportez-vous à la section « 6.2. Changement supplémentaire ».)

2. 4. 5. Sélection des tailles des tuyaux

Les diamètres des tuyaux de raccordement diffèrent en fonction de la puissance de l'unité intérieure.

Consultez le tableau suivant pour connaître les diamètres appropriés des tuyaux de raccordement entre les unités intérieure et extérieure.

Puissance de l'unité intérieure	Taille des tuyaux de gaz (épaisseur) [in. (mm)]	Taille des tuyaux de liquide (épaisseur) [in. (mm)]
7 – 12	diamètre 3/8 (1/16) [9,52 (0,8)]	diamètre 1/4 (1/16) [6,35 (0,8)]
15 – 18	diamètre 1/2 (1/16) [12,70 (0,8)]	diamètre 1/4 (1/16) [6,35 (0,8)]

ATTENTION

Un bon fonctionnement de l'appareil ne peut être garanti si la combinaison appropriée de tuyaux, vannes, etc., n'est pas utilisée pour raccorder les unités intérieure et extérieure.

2. 4. 6. Isolation thermique requise autour des tuyaux de raccordement

ATTENTION

Installez une isolation thermique autour des tuyaux de gaz et des tuyaux de liquide. Le non-respect de cette condition peut provoquer des fuites d'eau. Utilisez une isolation thermique résistante à des températures supérieures à 248 °F (modèle à inversion de cycle uniquement). En outre, si le taux hygrométrique sur le lieu d'installation du circuit de réfrigérant risque de dépasser 70 %, installez une isolation thermique autour du tuyau de réfrigérant. Si le taux hygrométrique prévu est de 70 à 80 %, utilisez une isolation thermique d'une épaisseur de 19/32 in. minimum ; si le taux hygrométrique prévu dépasse 80 %, utilisez une isolation thermique d'une épaisseur de 25/32 in. ou plus. Si l'isolation thermique utilisée n'est pas suffisamment épaisse, de la condensation peut se former à sa surface. Utilisez également une isolation thermique avec une conductivité thermique de 0,045 W/(m·K) ou moins (à 68 °F).

Connectez les tuyaux de raccordement conformément à « 4.1. Raccordement des tuyaux » dans le présent manuel d'installation.

2. 4. 7. Plage de fonctionnement

	Température	Prise d'air intérieure	Prise d'air extérieure
Refroidissement	Maximum	90 °F DB	115 °F DB
	Minimum	65 °F DB	14 °F DB
Chauffage	Maximum	88 °F DB ou moins	75 °F DB
	Minimum	60 °F DB ou moins	5 °F DB

Humidité intérieure d'environ 80 % ou moins

3. TRAVAUX D'INSTALLATION

Veillez obtenir l'approbation du client lors du choix de l'emplacement d'installation et de la mise en place de l'appareil.

3.1. Choix du lieu d'installation

⚠ AVERTISSEMENT

Installez l'unité extérieure de façon sécurisée sur une surface assez solide pour supporter son poids. Sinon, l'unité extérieure pourrait chuter et provoquer des blessures.

Veillez à installer l'unité extérieure conformément aux indications, afin qu'elle puisse résister aux tremblements de terre, typhons ou autres vents forts. Une installation incorrecte peut provoquer l'instabilité, la chute de l'unité ou autres accidents.

N'installez pas l'unité extérieure près de la bordure d'un balcon. Les enfants pourraient grimper dessus et tomber du balcon.

⚠ ATTENTION

N'installez pas l'unité extérieure dans les zones suivantes :

- Zone à l'atmosphère très salée, comme le bord de mer. Cela détériorerait les pièces métalliques, ce qui provoquerait leur panne ou des fuites d'eau.
- Zone abritant beaucoup d'huile minérale, d'huile éclaboussée ou de vapeur, telle qu'une cuisine. Cela détériorerait les pièces en plastique, ce qui provoquerait leur panne ou des fuites d'eau.
- Zone générant des substances ayant des effets négatifs sur l'équipement, par exemple du gaz sulfurique, du gaz de chlore, de l'acide ou de l'alcali. Cela provoquerait la corrosion des tuyaux de cuivre et des soudures brasées, et potentiellement une fuite de réfrigérant.
- Zone abritant du matériel générant des interférences électromagnétiques. Cela provoquerait un dysfonctionnement du système de contrôle et empêcherait l'unité de fonctionner normalement.
- Zone où des fuites de gaz combustibles sont possibles, qui contient des fibres de carbone suspendues, des particules inflammables ou des produits inflammables volatils tels que du diluant à peinture ou de l'essence. Si du gaz fuit et stagne autour de l'unité, il y a risque d'incendie.
- Des zones comportant des sources de chaleur, de vapeur, ou un risque de fuite de gaz inflammable à proximité.
- Zone susceptible d'abriter de petits animaux. Si de petits animaux venaient à pénétrer dans l'unité et à toucher les parties électriques internes, cela provoquerait des pannes, de la fumée ou un incendie.
- Zone où des animaux peuvent uriner sur l'unité ou susceptible de générer de l'ammoniac.

Veillez installer l'unité extérieure bien à niveau.

Installez l'unité extérieure dans un endroit bien ventilé, à l'abri de la pluie ou de la lumière directe du soleil.

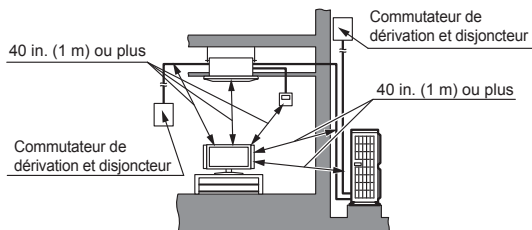
Si l'unité extérieure doit être installée dans une zone facilement accessible au public, installez une clôture de protection appropriée ou autre pour bloquer l'accès.

Installez l'unité extérieure de façon à ce qu'elle ne gêne pas vos voisins, qui pourraient être affectés par le flux d'air sortant, le bruit ou les vibrations. Si elle doit être installée à proximité de vos voisins, veillez à obtenir leur approbation.

Si l'unité extérieure est installée dans une région froide affectée par l'accumulation de neige, les chutes de neige ou le gel, prenez les mesures appropriées pour la protéger de ces éléments. Pour garantir un fonctionnement stable, installez des conduits d'entrée et de sortie.

Installez l'unité extérieure dans un endroit éloigné de tout d'orifice d'échappement ou de charge de vapeur, de suie, de poussière ou de débris.

Installez l'appareil intérieur, l'appareil extérieur, le câble d'alimentation, le câble de raccordement et le câble de la télécommande à au moins 40 in. (1 m) des téléviseurs ou récepteurs radio. Ceci permettra d'éviter des interférences lors de la réception télévisée ou du bruit dans votre radio. (Même s'ils sont installés à plus de 40 in. (1 m), il est possible que vous receviez encore du bruit dans certaines conditions de signal.)



Installez l'unité dans un endroit où il n'existe aucune source de chaleur, de vapeurs ni aucun risque de fuite de gaz inflammable dans les environs.

Maintenez la longueur de la tuyauterie des unités intérieures et extérieures dans la plage permise.

Pour raisons d'entretien, ne pas ensevelir la tuyauterie.

3.2. Dimensions pour l'installation

⚠ ATTENTION

Choisissez des emplacements d'installation pouvant bien supporter le poids des unités intérieure et extérieure. Installez solidement les unités afin qu'elles ne puissent pas se renverser ou tomber.

⚠ AVERTISSEMENT

Ne les installez dans un endroit présentant un risque de fuite de gaz combustible.

N'installez pas l'unité près d'une source de chaleur, de vapeur, ou de gaz inflammable.

Si des enfants de moins de 10 ans risquent d'approcher l'unité, prenez des mesures préventives pour qu'ils ne puissent pas atteindre l'unité.

⚠ ATTENTION

Installez l'unité à un endroit où elle ne sera pas inclinée de plus de 3°. Toutefois, ne l'installez pas en inclinant vers le côté contenant le compresseur.

Si l'unité extérieure est installée à un endroit exposé à des vents violents, fixez-la solidement.

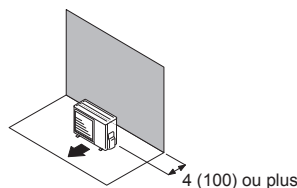
Choisissez la position de montage en concertation avec le client, en tenant compte des indications suivantes :

- (1) Installez l'unité extérieure à un endroit capable de supporter le poids de l'unité et les vibrations, et où elle peut être installée horizontalement.
- (2) Respectez l'espace indiqué afin de garantir une bonne circulation de l'air.
- (3) Si possible, choisissez un endroit où l'unité n'est pas exposée à la lumière directe du soleil. (Le cas échéant, installez un store qui n'empêchera pas la circulation de l'air.)
- (4) N'installez pas l'unité à proximité d'une source de chaleur, de vapeur ou de gaz inflammable.
- (5) En mode de chauffage, l'eau de vidange s'écoule de l'unité extérieure. Par conséquent, installez l'unité extérieure à un endroit où l'eau de vidange pourra circuler librement (modèle à inversion de cycle uniquement).
- (6) N'installez pas l'unité dans un endroit soumis à des vents violents ou très poussiéreux.
- (7) N'installez pas l'unité dans un lieu de passage fréquent.
- (8) Installez l'unité extérieure à un endroit où elle ne sera pas salie ou mouillée par la pluie.
- (9) Installez l'unité à un endroit où il est aisé de la raccorder à l'unité intérieure.

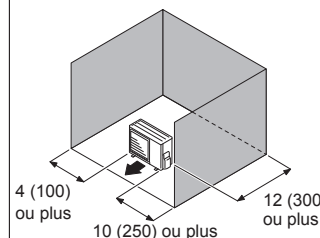
3.2.1. Installation d'une unité extérieure unique

Lorsque l'espace du dessus est dégagé : [Unité : in. (mm)]

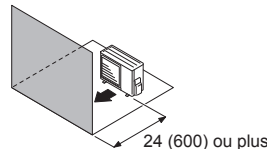
(1) Obstacles à l'arrière uniquement



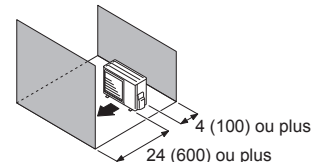
(2) Obstacles à l'arrière et sur les côtés



(3) Obstacles à l'avant uniquement

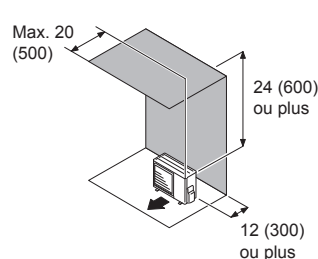


(4) Obstacles à l'avant et à l'arrière

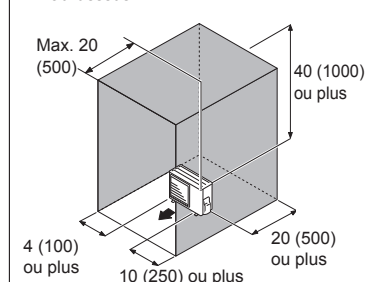


Lorsque l'espace du dessus est obstrué : [Unité : in. (mm)]

(1) Obstacles à l'arrière et au-dessus



(2) Obstacles à l'arrière, sur les côtés et au-dessus

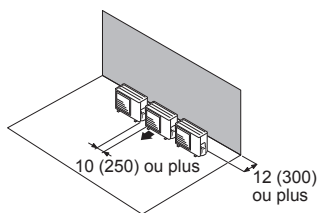


3. 2. 2. Installation de plusieurs unités extérieures

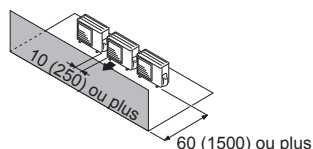
- Laissez au moins 10 in. (250 mm) d'espace entre les unités extérieures si plusieurs unités sont installées.
- Lors de l'acheminement de la tuyauterie du côté d'une unité extérieure, laissez de l'espace pour la tuyauterie.
- Un maximum de 3 unités peuvent être installées côte à côte. Si 3 unités ou plus sont alignées, réservez l'espace indiqué dans l'exemple suivant lorsque l'espace du dessus est obstrué.

Lorsque l'espace du dessus est dégagé : [Unité : in. (mm)]

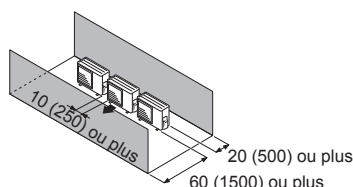
(1) Obstacles à l'arrière uniquement



(2) Obstacles à l'avant uniquement

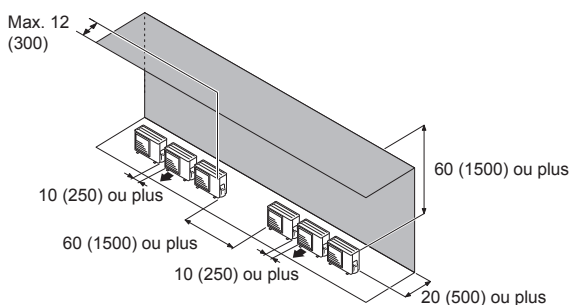


(3) Obstacles à l'avant et à l'arrière



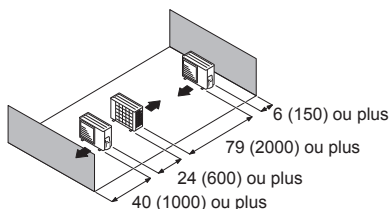
Lorsque l'espace du dessus est obstrué : [Unité : in. (mm)]

Obstacles à l'arrière et au-dessus

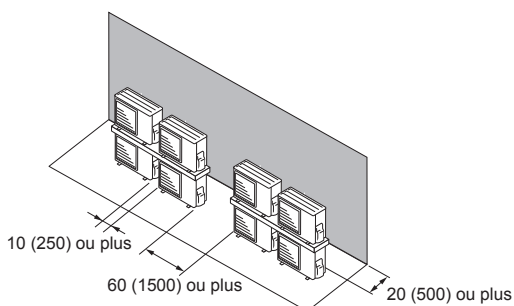
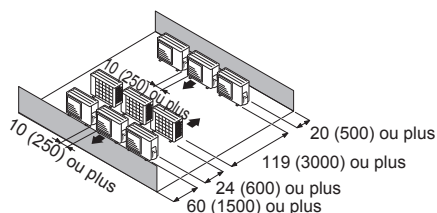


3. 2. 3. Installation d'unités extérieures sur plusieurs rangées [Unité : in. (mm)]

(1) Arrangement simple d'unités en parallèle



(2) Arrangement multiple d'unités en parallèle



REMARQUES :

- Si l'espace est plus grand que l'indication ci-dessus, les conditions seront les mêmes que quand il n'y a aucun obstacle.
- La hauteur au-dessus du niveau du plancher doit être de 2 in. (50 mm) ou plus.
- Lors de l'installation de l'unité extérieure, assurez-vous d'ouvrir les côtés avant et gauche pour obtenir une meilleure efficacité de fonctionnement.

3. 3. Placement de l'unité

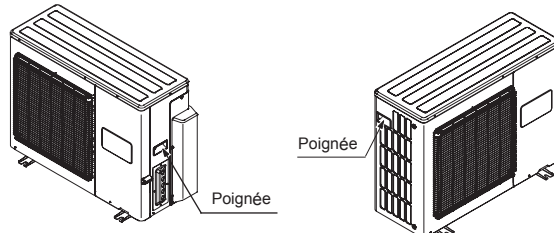
⚠ AVERTISSEMENT

Ne touchez pas les ailettes. Vous pourriez vous blesser.

⚠ ATTENTION

Pour transporter l'unité, tenez les poignées situées à droite et à gauche et soyez prudent. En tenant l'unité par le dessous, vous pourriez vous pincer les mains ou les doigts.

- Assurez-vous de tenir les poignées situées sur les côtés de l'unité. Sinon, Le fait de maintenir la grille d'aspiration sur les côtés de l'appareil peut provoquer une déformation.



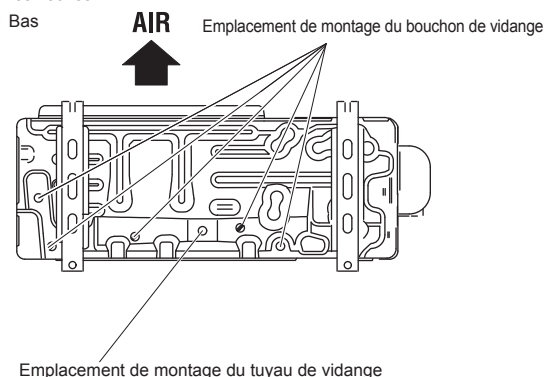
3. 4. Installation de l'évacuation

⚠ ATTENTION

Effectuez les travaux de vidange conformément à ce Manuel et assurez-vous que l'eau de vidange est correctement évacuée. Si les travaux de vidange ne sont pas réalisés correctement, de l'eau pourrait goutter de l'unité et endommager le mobilier.

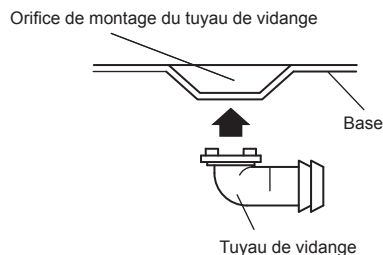
Si la température extérieure est de 32 °F ou moins, n'utilisez pas le tuyau de vidange et le bouchon de vidange accessoires. Si ces accessoires sont utilisés, l'eau de vidange se trouvant dans le tuyau pourrait geler en cas de températures extrêmement basses. (modèle à inversion de cycle uniquement)

Unité extérieure à fixer en toute sécurité à l'aide de boulons aux quatre emplacements indiqués par les flèches.



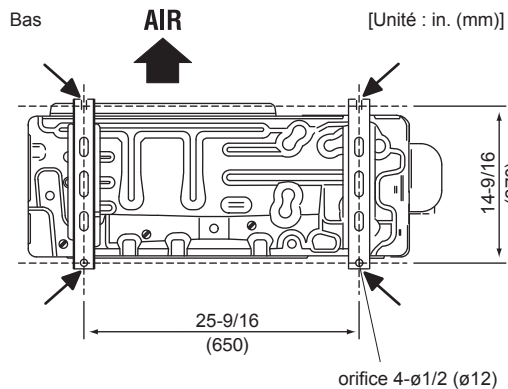
Comme l'eau d'évacuation s'écoule hors de l'appareil extérieur pendant le chauffage, installez la canalisation d'évacuation et raccordez-la un tuyau de 5/8 in. (16 mm) disponible dans le commerce. (modèle à inversion de cycle uniquement)

Lors de l'installation du tuyau de vidange, bouchez tous les trous autres que le trou de montage du tuyau de vidange situés au bas de l'unité extérieure avec du mastic de façon à supprimer toute fuite d'eau. (modèle à inversion de cycle uniquement)

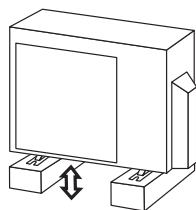
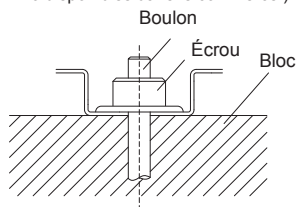


3. 5. Fixation de l'unité

- Installez 4 boulons d'ancrage aux emplacements indiqués par les flèches sur la figure.
- Pour réduire les vibrations, n'installez pas l'unité directement sur le sol. Installez-la sur une base solide (blocs de béton, par exemple).
- La base doit supporter les pieds de l'unité et mesurer 2 in. (50 mm) de largeur ou plus.
- En fonction des conditions d'installation, les vibrations de l'unité extérieure peuvent se propager pendant le fonctionnement et provoquer du bruit et des vibrations. Il est alors nécessaire de fixer des pièces anti-vibratiles (tels que des plots anti-vibratiles) à l'unité extérieure pendant l'installation.
- Installez la base en veillant à laisser suffisamment d'espace pour l'installation des tuyaux de raccordement.
- Sécurisez l'unité sur un bloc solide à l'aide de boulons de fixation. (Utilisez 4 jeux de boulons, écrous et rondelles M10 disponibles dans le commerce.)
- Les boulons doivent dépasser de 0,78 in. (20 mm). (Consultez la figure.)
- Si une prévention contre le pivotement excessif est nécessaire, achetez les articles nécessaires disponibles dans le commerce.



Fixez fermement l'unité à un bloc solide à l'aide des boulons. (Utilisez 4 jeux de boulons, écrous et rondelles M10 disponibles dans le commerce.)



2 po (50 mm) ou plus

- Ne l'installez pas directement sur le sol, cela pourrait provoquer un dysfonctionnement de l'équipement.

⚠ ATTENTION

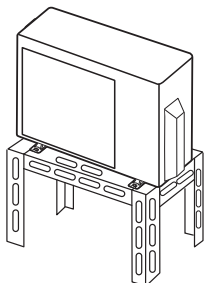
N'installez pas l'unité extérieure sur deux étages dans un endroit où l'eau de vidange pourrait geler.

Autrement la vidange de l'unité supérieure risque de former de la glace et causer un défaut de fonctionnement de l'unité inférieure.

Quand la température extérieure est de 32 °F (0 °C) ou moins, n'utilisez pas le tuyau de vidange accessoire et le bouchon de vidange.

Si vous utilisez le tuyau de vidange et le bouchon de vidange, l'eau de vidange dans le tuyau risque de geler dans un climat extrêmement froid. (Pour les modèles à cycle inversé uniquement.)

Dans des régions à fortes chutes de neige, si les entrées et les sorties de l'unité extérieure peuvent être bloquées par la neige, il peut s'avérer difficile de chauffer et les risques de dysfonctionnement sont élevés. Construisez un toit et un piédestal, ou placez l'unité sur un support élevé installé localement.



4. INSTALLATION DES TUYAUX - 1

4. 1. Raccordement des tuyaux

⚠ ATTENTION

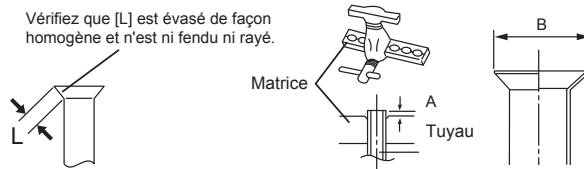
N'utilisez pas d'huile minérale sur la partie évasée. Évitez la pénétration d'huile minérale dans le système car cela réduirait la durée de vie des unités.

Lors du soudage des tuyaux, veillez à souffler du gaz nitrogène sec dans ces derniers.

Les longueurs maxi de ce produit sont indiquées dans le tableau. Si les unités sont plus éloignées que cela, un fonctionnement correct ne peut pas être garanti.

4. 1. 1. Évasement

- Utilisez un coupe-tube spécial et un outil d'évasement exclusif pour le R410A.
- (1) Coupez le tuyau de raccordement comme nécessaire à l'aide d'un coupe-tube.
- (2) Dirigez le tuyau vers le bas afin que les chutes de découpe ne pénètrent pas dans le tuyau, et supprimez toutes bavures.
- (3) Insérez le raccord conique (utilisez toujours le raccord conique joint à l'unité correspondante) sur le tuyau et commencez le processus d'évasement à l'aide de l'outil réservé à cet effet. Si vous utilisez d'autres raccords coniques, une fuite de réfrigérant peut survenir.
- (4) Protégez les tuyaux en les pinçant ou en appliquant de l'adhésif afin d'éviter la pénétration de poussière, de saletés ou d'eau.



Diamètre extérieur du tuyau [in. (mm)]	Dimension A [in. (mm)] Outil d'évasement pour R410A de type Clutch	Dimension B - _{0,4} ⁰ [in. (mm)]
1/4 (6,35)	0 à 1/16 (0 à 0,5)	3/8 (9,1)
3/8 (9,52)		1/2 (13,2)
1/2 (12,70)		5/8 (16,6)
5/8 (15,88)		3/4 (19,7)
3/4 (19,05)		15/16 (24,0)

- Si vous utilisez des outils d'évasement classiques pour évaser les tuyaux de R410A, la dimension A doit être d'environ 1/32 in. de plus qu'indiqué dans le tableau (pour un évasement avec les outils d'évasement R410A) pour que l'évasement spécifié soit réalisé. Utilisez un calibre d'épaisseur pour mesurer la dimension A.

Dimensions sur plats



Diamètre extérieur du tuyau [in. (mm)]	Dimensions sur plats du raccord conique [in. (mm)]
1/4 (6,35)	11/16 (17)
3/8 (9,52)	7/8 (22)
1/2 (12,70)	1-1/32 (26)
5/8 (15,88)	1-5/32 (29)
3/4 (19,05)	1-13/32 (36)

4. 1. 2. Cintrage des tuyaux

⚠ ATTENTION

Afin d'éviter de casser le tuyau, évitez les cintrages brusques. Courbez la canalisation selon un rayon de courbure de 4 in. (100 mm) ou plus.

Si le tuyau est cintré à répétition au même endroit, il cassera.

- Si vous cintrerez les tuyaux à la main, veillez à ne pas les écraser.
- Ne cintrerez pas les tuyaux à plus de 90°.
- Si les tuyaux sont cintrés ou étirés à répétition, le matériau durcit, ce qui le rend difficile à cintrer ou à étirer de nouveau.
- Ne cintrerez pas ou n'étirez pas les tuyaux plus de trois fois.

4. 1. 3. Raccordement des tuyaux

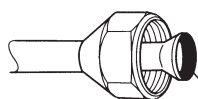
⚠ ATTENTION

Veillez à installer le tuyau contre l'orifice de l'unité intérieure et de l'unité extérieure correctement. Si le cintrage est mauvais, le raccord conique ne peut pas être serré facilement. S'il faut forcer pour faire pivoter le raccord conique, le filetage sera endommagé.

Ne retirez le raccord conique du tuyau de l'unité extérieure qu'immédiatement avant de connecter le tuyau de raccordement.

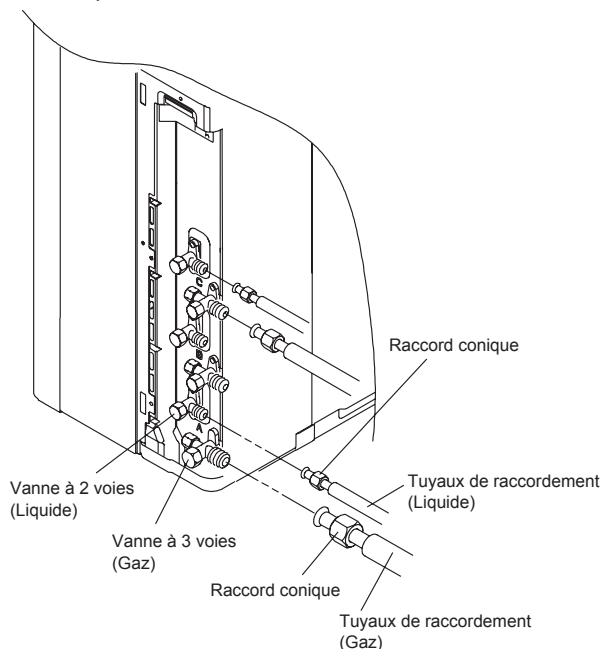
Après avoir installé la tuyauterie, vérifiez que les tuyaux de raccordement ne touchent ni le compresseur ni le panneau externe. Si les tuyaux touchent le compresseur ou le panneau externe, ils vibreront et produiront du bruit.

- (1) Détachez les embouts et les bouchons des tuyaux.
- (2) Centrez le tuyau contre l'orifice de l'unité extérieure puis faites pivoter le raccord conique à la main.

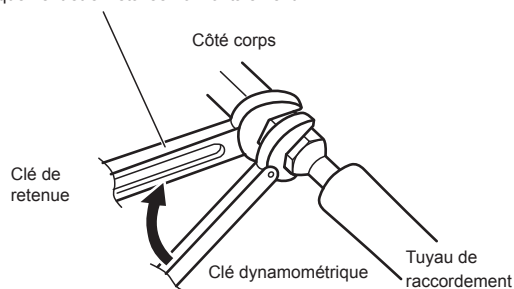


Pour éviter toute fuite de gaz, enduisez la surface évasée d'huile d'alkylbenzène (HAB). N'utilisez pas d'huile minérale.

- (3) Fixez le tuyau de raccordement.



Avec ce modèle, la clé de retenue peut uniquement être installée horizontalement.



- (4) Lorsque l'écrou évasé est convenablement serré à la main, utiliser une clé dynamométrique pour le serrage final.

⚠ ATTENTION

Tenez la clé dynamométrique par sa poignée en la maintenant dans le bon angle avec le tuyau, de façon à serrer le raccord conique correctement.

- Le panneau externe peut se déformer s'il est uniquement serré avec une clé. Veillez à fixer une partie élémentaire à l'aide d'une clé de maintien (clé à molette) et serrez à l'aide d'une clé dynamométrique (consultez le diagramme). N'appliquez pas de force sur le raccord d'obturation de la valve et ne suspendez pas de clé ou autre sur le raccord. Si le raccord d'obturation est brisé, il peut provoquer une fuite du produit réfrigérant.

Raccord conique [in. (mm)]	Couple de serrage [lbf-ft (N-m)]
Dia. 1/4 (6,35)	11,8 à 13,3 (16 à 18)
Dia. 3/8 (9,52)	23,6 à 31,0 (32 à 42)
Dia. 1/2 (12,70)	36,1 à 45,0 (49 à 61)
Dia. 5/8 (15,88)	46,5 à 55,3 (63 à 75)
Dia. 3/4 (19,05)	66,4 à 81,1 (90 à 110)

4.1.4. Utilisation de l'adaptateur (ports de raccordement de l'unité extérieure)

- Lorsque vous utilisez l'ADAPTATEUR, veillez à ne pas trop serrer l'écrou, sinon vous risquez d'endommager le plus petit tuyau.
- Appliquez une couche d'huile de réfrigération sur le port de raccordement fileté de l'unité extérieure au niveau du raccord conique.
- Utilisez des clés appropriées pour éviter d'endommager le filet de raccordement en serrant le raccord conique de manière excessive.
- Utilisez les clés sur le raccord conique (partie locale) et l'ADAPTATEUR pour les serrer.

Couple de serrage de l'adaptateur

Type d'adaptateur [in. (mm)]	Couple de serrage [lbf-ft (N-m)]
ø1/2 (ø12,70) → ø3/8 (ø9,52)	36,1 à 45,0 (49 à 61)

5. CÂBLAGE ÉLECTRIQUE

5.1. Précautions à prendre pour le câblage électrique

⚠ AVERTISSEMENT

Les connexions électriques doivent être effectuées par une personne qualifiée et conformément aux spécifications. L'alimentation nominale de cette unité est de 60 Hz, 208/230 V triphasés. Utilisez une tension comprise dans la plage de 187 à 253 V.

Avant de brancher les fils, vérifiez que la tension est coupée.

Si ce système doit être installé dans un endroit très humide, installez-le avec des disjoncteurs d'équipement de fuite à la terre (également appelés ELCB ou disjoncteurs de protection à courant de fuite à la terre) afin de réduire le risque de courant de fuite pouvant entraîner un choc électrique, voire un incendie.

Assurez-vous d'installer un disjoncteur de la capacité indiquée. Lors de la sélection d'un disjoncteur, veillez à vous conformer aux lois et réglementations de chaque pays. Un disjoncteur doit être installé sur l'alimentation de l'appareil d'extérieur. Une sélection et une installation inadéquates du disjoncteur peuvent causer un choc électrique ou un incendie.

Ne raccordez pas l'alimentation C.A. au bornier de la ligne de transmission. Un mauvais câblage peut endommager l'ensemble du système.

Brancher le câble connecteur fermement aux bornes. Une installation défectueuse peut provoquer un incendie.

Veillez à bien fixer la portion isolante du câble connecteur avec le collier pour câble. Un isolant de câble endommagé peut provoquer un court-circuit.

N'installez jamais de condensateur d'amélioration du facteur de puissance. Au lieu d'améliorer le facteur de puissance, le condensateur pourrait surchauffer.

Avant d'entretenir l'unité, mettez l'interrupteur d'alimentation électrique sur OFF. Ensuite, ne touchez pas les pièces électriques pendant 10 minutes pour éviter le risque de choc électrique.

Veillez à bien effectuer les travaux de mise à la terre. Un mauvais branchement à la terre peut provoquer des chocs électriques.

⚠ ATTENTION

La capacité d'alimentation électrique primaire est destinée au climatiseur seul, et n'inclut pas l'utilisation concurrente d'autres appareils.

N'utilisez pas de câblage croisé pour l'alimentation de l'unité extérieure.

Si la tension électrique n'est pas adéquate, contactez votre compagnie électrique.

Installez un disjoncteur dans un emplacement qui n'est pas exposé à des températures élevées. Si la température autour du disjoncteur est trop élevée, il est possible que l'ampérage auquel le disjoncteur se déclenche diminue.

Nous vous conseillons d'installer des disjoncteurs GFEB ou de suivre la réglementation électrique locale. Ce système utilise un inverseur, ce qui signifie que si un disjoncteur de fuite à la terre est nécessaire, il doit pouvoir supporter des harmoniques élevées, tel qu'un disjoncteur d'équipement de fuite à la terre (GFEB) (30 mA ou plus), afin d'éviter toute défaillance du dispositif de mise à la terre.

Quand le tableau électrique est installé à l'extérieur, placez-le dans un cabinet verrouillable pour que personne ne puisse y accéder facilement.

N'attachez pas le câble d'alimentation électrique et le câble de transmission ensemble.

Veillez à bien observer la longueur maximum du câble de transmission. Si le câble dépasse sa longueur maximum, le fonctionnement peut s'en trouver affecté.

L'électricité statique contenue dans le corps humain peut endommager la carte de circuit imprimé de contrôle quand vous manipulez la carte de circuit imprimé pour la configuration de l'adresse, etc.

Veillez à bien observer les points suivants.

Reliez l'unité intérieure, l'unité extérieure et l'équipement optionnel à la terre.

Coupez l'alimentation (coupe-circuit).

Touchez la partie métallique (comme la partie non peinte du boîtier de commande) de l'unité intérieure ou extérieure pendant plus de 10 secondes. Déchargez l'électricité statique de votre corps.

Ne touchez jamais la borne du composant ni le motif de la carte de circuit imprimé.

5.2. Connexions électriques requises

⚠ ATTENTION

Assurez-vous d'installer un disjoncteur de la capacité indiquée.

Les réglementations en matière de câble et de disjoncteur diffèrent selon chaque endroit, veuillez vous référer conformément à la réglementation locale.

Tension nominale	1Φ 208/230 V (60 Hz)
Plage de fonctionnement	187-264 V

Câbles	Taille du câble *1)	Remarque
Câble d'alimentation	Type 18: 14AWG Type 24: 12AWG	2 câbles + Terre, 1 Ø 208/230 V
Câble de raccordement	14AWG	3 câbles + Terre, 1 Ø 208/230 V

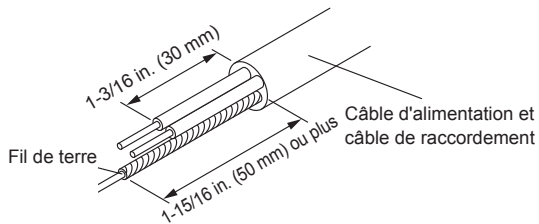
- 1) Exemple sélectionné : Sélectionnez le type et la taille de câble appropriés en fonction des réglementations du pays ou de la région.
Longueur max. du câble : déterminez une longueur de sorte que la chute de tension soit inférieure à 2 %. Augmentez le diamètre du câble quand sa longueur est trop longue.

Disjoncteur	Spécifications *2)
Disjoncteur	Type 18: 15(A) Type 24: 20(A)
Disjoncteur de raccordement à la terre	Courant de fuite : 30 mA 0,1 s ou moins *3)

- 2) Choisissez le disjoncteur approprié aux spécifications indiquées en fonction des normes nationales ou régionales.
3) Choisissez un disjoncteur à travers lequel un courant de charge suffisant puisse passer.

5.3. Comment connecter le fil aux bornes

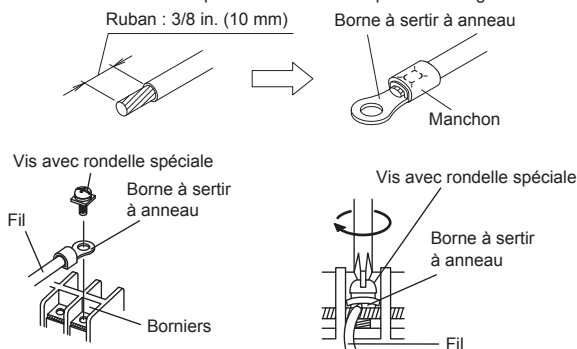
- Pour retirer la gaine d'un fil de sortie, utilisez toujours un outil spécial tel qu'un dénudeur. Si vous ne disposez d'aucun outil spécial, retirez la gaine avec prudence à l'aide d'un couteau, etc.



Comment raccorder les fils aux bornes

Attention lors du tirage des câbles

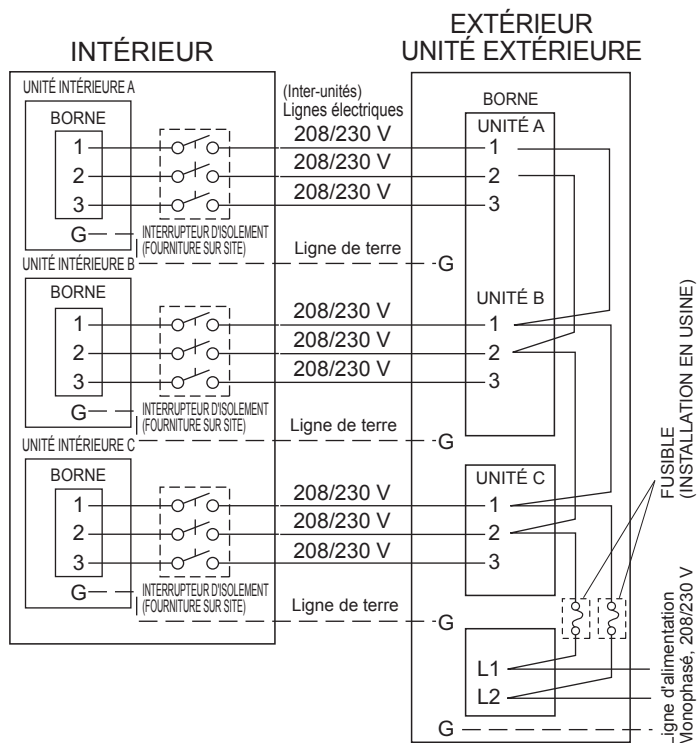
- Pour le raccordement au bornier, utilisez des bornes à anneau avec manchons, comme illustré dans le schéma ci-dessous.
- Pincez bien les bornes à anneau sur les fils à l'aide d'un outil adapté afin que les fils ne se détachent pas.
- Utilisez les fils spécifiés, raccordez-les correctement et serrez-les de façon à ce que les bornes ne subissent aucune tension.
- Utilisez un tournevis approprié pour serrer les vis des bornes. N'utilisez pas un tournevis trop petit, sinon, les têtes de vis pourraient être endommagées et il deviendrait impossible de serrer correctement les vis.
- Ne serrez trop les vis de borne pour ne pas les briser.
- Voir le tableau ci-dessous pour connaître les couples de serrage des vis de borne.



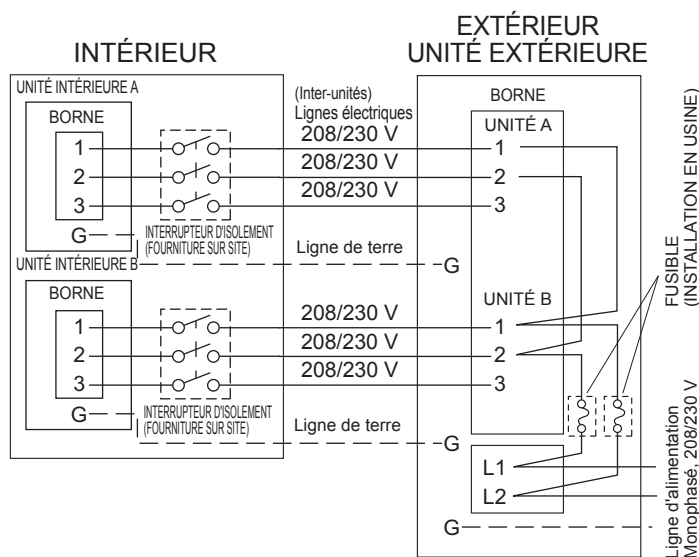
Couple de serrage [lbf·in (N·m)]	
Vis M4	10,6 à 15,9 (1,2 à 1,8)

5.4. Schémas de raccordement

Type 24



Type 18



⚠ AVERTISSEMENT

L'interrupteur d'isolement et le système de protection contre la surintensité indiqués dans le tableau ci-dessous doivent être installés entre l'unité intérieure et l'unité extérieure.

Interrupteur d'isolement

15 A

⚠ ATTENTION

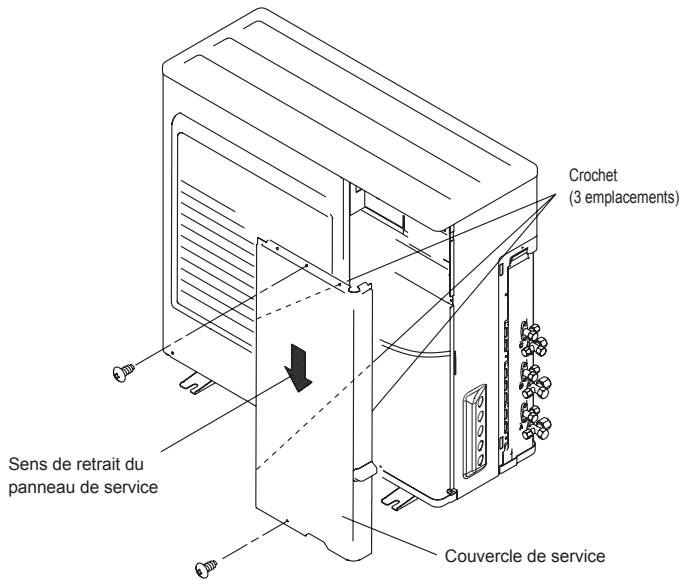
Reportez-vous au schéma ci-dessus et effectuez correctement le câblage extérieur. L'unité risque de dysfonctionner en cas de câblage erroné.

Vérifiez les normes électriques locales, ainsi que les éventuelles instructions ou prescriptions de câblage spécifiques.

5. 5. Méthode de câblage

(1) Retrait du couvercle de service

- Retirez les deux vis de fixation.
- Retirez le couvercle de service en appuyant vers le bas.

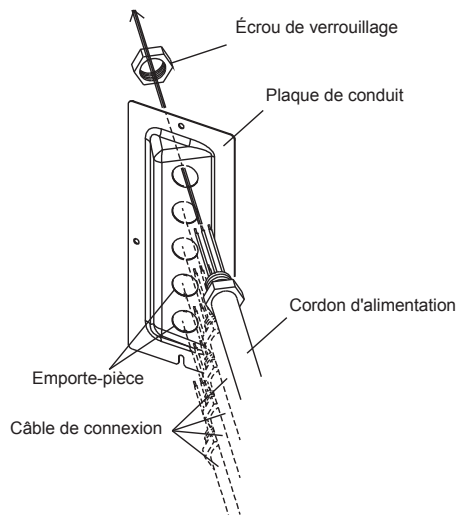


(2) Fixez le cordon d'alimentation et le câble de connexion au tube protecteur à l'aide de l'écrou de verrouillage.

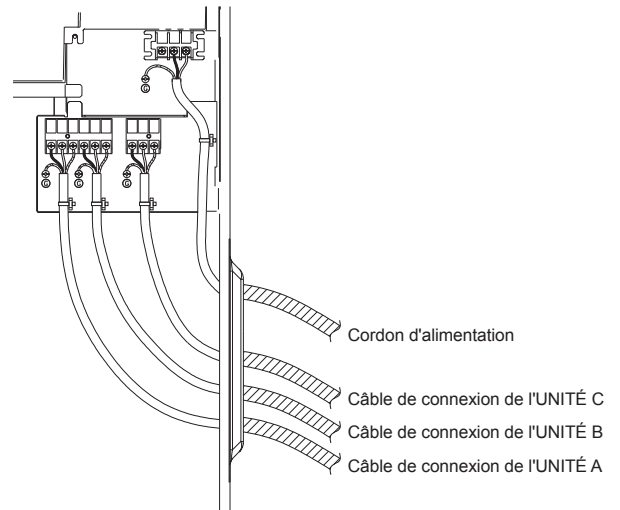
(Ouvrez les emporte-pièces à l'aide de l'outil de façon à ne pas transformer la plaque du conduit le cas échéant.)

(3) Raccordez le cordon d'alimentation et le câble de connexion à la borne.

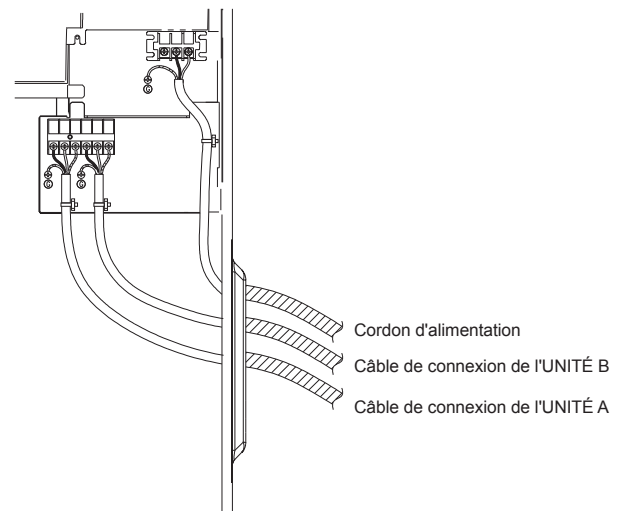
(4) Fixez le cordon d'alimentation et le câble de connexion à l'aide du collier du câble.



Type 24



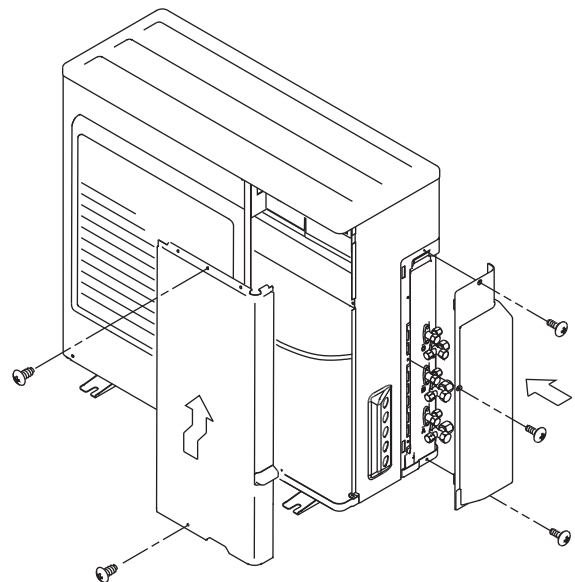
Type 18



(5) Veillez à colmater les orifices à l'aide de mastic.

Placez les câbles côte à côte. (Ne les faites pas chevaucher.)

(6) Remettez en place le couvercle de service et le couvercle de la vanne à la fin du fonctionnement.



6. INSTALLATION DES TUYAUX - 2

6. 1. Processus de mise sous vide

⚠ ATTENTION

Utilisez toujours une pompe à vide pour purger l'air.

Du réfrigérant permettant la purge de l'air n'est pas chargé dans l'unité extérieure en usine.

Le réfrigérant ne doit pas être déchargé dans l'atmosphère.

Utilisez une pompe à vide, un manomètre et un flexible de charge pour le R410A exclusivement. L'utilisation de la même pompe à vide pour différents réfrigérants peut endommager la pompe à vide ou l'unité.

Une fois la tuyauterie raccordée, vérifiez les joints pour éviter une éventuelle fuite de gaz à l'aide du détecteur prévu à cet effet ou de l'eau savonneuse.

6. 1. 1. Contrôle de fuite de gaz et purge de l'air

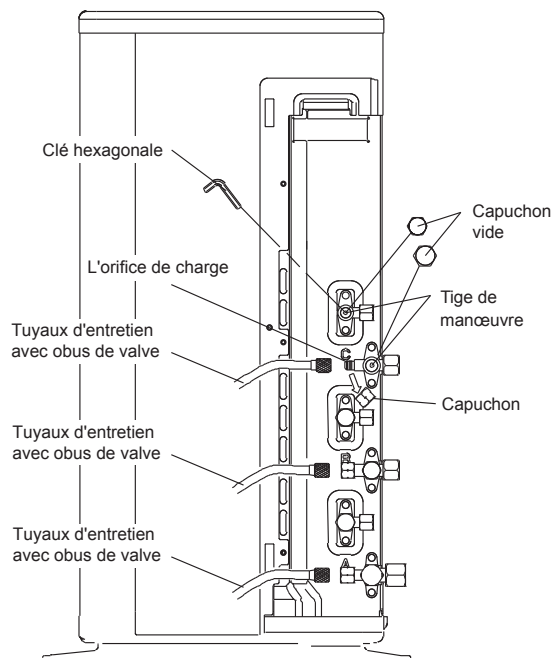
Les contrôles de fuite de gaz sont effectués à l'aide de la pompe à vide ou du gaz nitrogène. Choisissez la méthode appropriée en fonction de la situation.

Contrôle des fuites de gaz à l'aide de la pompe à vide :

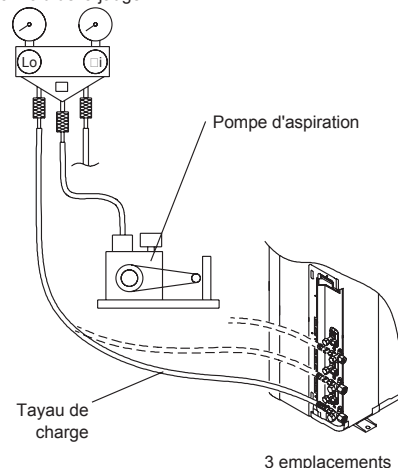
- (1) Vérifiez que les raccordements de la tuyauterie sont effectués correctement.
- (2) Retirez le capuchon de la vanne à 3 voies et raccordez les flexibles de charge du manomètre à l'orifice de charge de la vanne à 3 voies.
- (3) Ouvrez complètement la vanne du manomètre.
- (4) Activez la pompe à vide et commencez l'évacuation.
- (5) Vérifiez que le manovacuomètre affiche 500 microns (-0,1 MPa) et que la pompe à vide fonctionne pendant 30 minutes ou plus dans chaque vanne.
- (6) À la fin de l'évacuation, fermez complètement la vanne du manomètre et arrêtez la pompe à vide.
(laissez ainsi pendant environ 10 minutes ; l'aiguille ne doit pas bouger).
- (7) Retirez le flexible de charge de l'orifice de charge de la vanne à 3 voies.
- (8) Retirez les capuchons vides et ouvrez complètement les tiges de manœuvre des vannes à 2 et 3 voies à l'aide d'une clé hexagonale.
[couple de serrage : 4,4 à 5,2 lbf-ft (6 à 7 N-m)].
- (9) Serrez les capuchons vides et le capuchon de l'orifice de charge des vannes à 2 et 3 voies au couple indiqué.

Contrôle des fuites de gaz à l'aide du gaz nitrogène :

- (1) Vérifiez que les raccordements de la tuyauterie sont effectués correctement.
- (2) Retirez le capuchon de la vanne à 3 voies et raccordez les flexibles de charge du manomètre à l'orifice de charge de la vanne à 3 voies.
- (3) Pressurisez du gaz nitrogène via l'orifice de charge de la vanne à 3 voies.
- (4) Ne pressurisez pas une quantité supérieure à la pression spécifiée en une seule fois mais progressivement.
 - ① Augmentez la pression de 73 psi (0,5 MPa), laissez ainsi pendant environ 5 minutes, puis vérifiez l'absence de diminution au niveau de la pression.
 - ② Augmentez la pression de 218 psi (1,5 MPa), laissez ainsi pendant environ 5 minutes, puis vérifiez l'absence de diminution au niveau de la pression.
 - ③ Augmentez la pression jusqu'à la valeur spécifiée (pression adaptée au produit), puis notez-la.
- (5) Laissez la pression indiquée. En l'absence de diminution de la pression, la situation est satisfaisante. Si la pression diminue, cela signifie qu'une fuite est survenue ; par conséquent, il est nécessaire d'indiquer l'endroit de la fuite et d'effectuer le moins de réglages possibles.
- (6) Déchargez le gaz nitrogène en commençant par l'éliminer à l'aide d'une pompe à vide.
- (7) Ouvrez complètement la vanne du manomètre.
- (8) Activez la pompe à vide et commencez l'évacuation.
- (9) Vérifiez que le manovacuomètre affiche 500 microns (-0,1 MPa) et que la pompe à vide fonctionne pendant 30 minutes ou plus dans chaque vanne.
- (10) À la fin de l'évacuation, fermez complètement la vanne du manomètre et arrêtez la pompe à vide.
- (11) Retirez le flexible de charge de l'orifice de charge de la vanne à 3 voies.
- (12) Retirez les capuchons vides et ouvrez complètement les tiges de manœuvre des vannes à 2 et 3 voies à l'aide d'une clé hexagonale.
[couple de serrage : 4,4 à 5,2 lbf-ft (6 à 7 N-m)].
- (13) Serrez les capuchons vides et le capuchon de l'orifice de charge des vannes à 2 et 3 voies au couple indiqué.



Manifold de la jauge



⚠ ATTENTION

Ne purgez pas l'air à l'aide de réfrigérants mais utilisez une pompe à vide pour purger l'installation ! L'unité extérieure ne contient pas de réfrigérant supplémentaire pour purger l'air !

Utilisez une pompe à vide, un manomètre et un flexible de charge pour le R410A exclusivement. L'utilisation de la même pompe à vide pour différents réfrigérants peut endommager la pompe à vide ou l'unité.

	Raccord conique [in. (mm)]	Couple de serrage [lbf-ft (N-m)]
Capuchon vide	1/4 (6,35)	14,8 à 18,4 (20 à 25)
	3/8 (9,52)	14,8 à 18,4 (20 à 25)
	1/2 (12,70)	18,4 à 22,1 (25 à 30)
	5/8 (15,88)	22,1 à 25,8 (30 à 35)
	3/4 (19,05)	25,8 à 29,5 (35 à 40)
Capuchon de l'orifice de charge		7,4 à 8,8 (10 à 12)

6. 2. Changement supplémentaire

Du réfrigérant approprié pour une longueur de tuyauterie maximale de 98 ft (30 m) est chargé dans l'unité extérieure en usine.

Si la longueur de tuyau est supérieure à 98 ft (30 m), une charge supplémentaire est nécessaire.

Pour la quantité supplémentaire, voir le tableau ci-dessous.

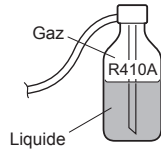
Longueur de tuyauterie totale	98 ft (30 m)	131 ft (40 m)	164 ft (50 m)	
Réfrigérant supplémentaire	Aucun	7,1 oz (200 g)	14,1 oz (400 g)	0,21 oz/ft (20 g/m)

⚠ ATTENTION

Lorsque vous déplacez et installez le climatiseur, ne mélangez pas un gaz autre que le réfrigérant spécifié (R410A) dans le cycle de réfrigération.

Lorsque vous chargez du réfrigérant R410A, utilisez toujours une balance électronique (pour mesurer le réfrigérant par poids).

Lors du remplissage du réfrigérant, tenir compte de la légère modification de composition des phases gazeuses et liquides. Toujours effectuer le remplissage à partir de la phase liquide où la composition du réfrigérant est stable.



Ajoutez du réfrigérant par la vanne de charge à la fin du fonctionnement.

Le bon fonctionnement de l'unité n'est pas garanti si les longueurs maximales de tuyaux sont supérieures à celles indiquées.

7. ALIMENTATION

⚠ AVERTISSEMENT

La tension nominale de ce produit est de 208/230 V CA 60 Hz.

Avant d'allumer l'appareil, vérifiez que la tension est comprise entre 187 et 253 V.

Pour alimenter le climatiseur, utilisez toujours un circuit de dérivation spécial et équipez-le d'un conteneur particulier.

Utilisez un disjoncteur et un conteneur correspondant à la capacité du climatiseur (installez-les conformément aux normes).

Effectuez le câblage dans le respect des normes, de manière à permettre une utilisation sûre et efficace du climatiseur.

Installez un disjoncteur différentiel conformément aux lois et règlements en vigueur et aux normes électriques de la société.

⚠ ATTENTION

La capacité de la source d'alimentation doit correspondre à la somme de l'intensité du climatiseur + celle d'autres appareils électriques. Si la capacité sous contrat d'intensité est insuffisante, il convient de la modifier.

Si la tension est basse et que le climatiseur a du mal à démarrer, contactez la compagnie d'électricité pour l'augmenter.

8. TEST DE FONCTIONNEMENT

La méthode utilisée pour le test de fonctionnement peut être différente pour chaque unité intérieure raccordée. Reportez-vous au feuillet des consignes d'installation fourni avec chaque unité intérieure.

⚠ ATTENTION

Activez toujours l'alimentation 12 heures avant la mise en marche afin de protéger le compresseur.

8. 1. Réalisation du test de fonctionnement conformément au manuel d'installation de l'unité intérieure

(1) Unité intérieure

- ① Chaque bouton de la télécommande fonctionne-t-il normalement ?
- ② Chaque voyant s'allume-t-il normalement ?
- ③ Le volet de direction du flux d'air fonctionne-t-il normalement ?
- ④ La vidange est-elle normale ?
- ⑤ L'appareil émet-il des vibrations et des bruits anormaux lorsqu'il fonctionne ?

(2) Unité extérieure

- ① L'appareil émet-il des vibrations et des bruits anormaux lorsqu'il fonctionne ?
- ② Le bruit, le souffle ou l'eau de vidange provenant de l'unité dérangent-ils le voisinage ?
- ③ Une fuite de gaz a-t-elle été détectée ?

- Ne faites pas fonctionner le climatiseur en mode de test pendant une longue période.
- Pour connaître les modes de fonctionnement, veuillez consulter le manuel d'utilisation et contrôler le fonctionnement.

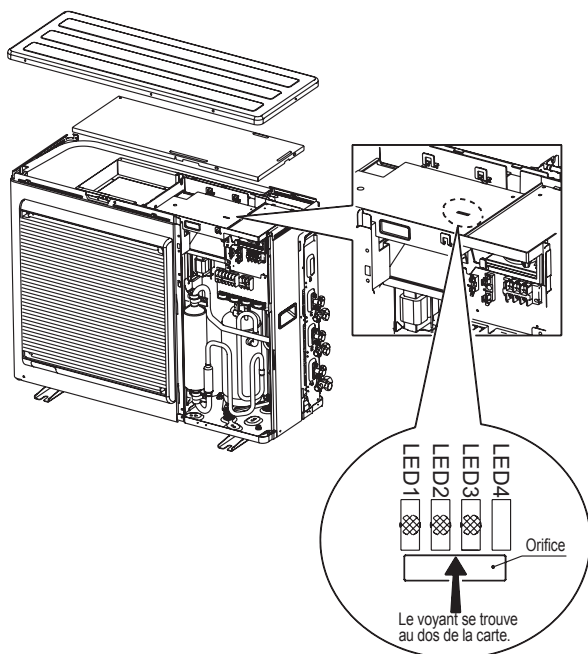
8. 2. Voyant de l'unité extérieure

En cas de dysfonctionnement de l'unité extérieure, le voyant sur la carte de circuit imprimé clignote pour indiquer l'erreur. Consultez le tableau suivant pour une description de chaque erreur d'après le comportement du voyant.

Erreur	LED1	LED2	LED3
Erreur de communication série (unité extérieure vers unité intérieure A)	● 1 fois	–	–
Erreur de communication série (unité extérieure vers unité intérieure B)	–	● 1 fois	–
Erreur de communication série (unité extérieure vers unité intérieure C)*1	–	–	● 1 fois
Erreur du capteur de temp. de décharge	● 2 fois	–	–
Erreur du capteur de temp. moy. de l'éch. de chaleur de l'unité extérieure	● 3 fois	–	–
Erreur du capteur de temp. extérieure	● 4 fois	–	–
Erreur du capteur de temp. de la vanne à 2 voies (pour l'unité intérieure A)	● 5 fois	–	–
Erreur du capteur de temp. de la vanne à 2 voies (pour l'unité intérieure B)	–	● 5 fois	–
Erreur du capteur de temp. de la vanne à 2 voies (pour l'unité intérieure C)*1	–	–	● 5 fois
Erreur du capteur de temp. de la vanne à 3 voies (pour l'unité intérieure A)	● 6 fois	–	–
Erreur du capteur de temp. de la vanne à 3 voies (pour l'unité intérieure B)	–	● 6 fois	–
Erreur du capteur de temp. de la vanne à 3 voies (pour l'unité intérieure C)*1	–	–	● 6 fois
Erreur du capteur de temp. du compresseur	● 7 fois	–	–
Erreur du capteur de temp. de la source de froid	● 8 fois	–	–
Erreur du commutateur 1 de haute pression	● 9 fois	–	–
Erreur du commutateur 2 de haute pression	● 10 fois	–	–
Erreur de puissance de l'unité intérieure	● 11 fois	–	–
Détection de déclenchement du coupe-circuit	● 12 fois	–	–
Erreur de détection de la position du rotor du compresseur	● 13 fois	–	–
Erreur déclenchement borne L	● 14 fois	–	–
Erreur du moteur de ventilateur de l'unité extérieure	● 15 fois	–	–
Erreur de communication du micro-ordinateur de la carte de circuit imprimé de l'unité extérieure	● 17 fois	–	–
Erreur de température de décharge	● 18 fois	–	–
Erreur de température du compresseur	● 19 fois	–	–
Erreur de vanne à 4 voies	● 20 fois	–	–
Erreur d'information du modèle de carte principale de circuit imprimé de l'unité extérieure	● 21 fois	–	–
Erreur filtre actif, erreur circuit PFC	● 22 fois	–	–

● : clignote – : éteint

*1: type 24 uniquement



8. 3. Vérification du fonctionnement de l'appareil intérieur

Utilisez l'appareil de façon normale, et vérifiez son fonctionnement. (Veuillez terminer le test avant la vérification.)

- (1) L'air chaud (ou l'air froid) doit être évacué de l'appareil intérieur.
- (2) L'appareil intérieur fonctionne normalement lorsque le bouton de réglage de la direction de l'air ou du volume d'air est pressé.

9. ÉVACUATION

ÉVACUATION

Pour éviter de décharger le réfrigérant dans l'atmosphère au moment du déplacement ou de la mise au rebut de l'unité, récupérez le réfrigérant via le système de refroidissement ou le système de refroidissement forcé en respectant la procédure suivante. (Si vous ne parvenez pas à démarrer le système de refroidissement en hiver, etc., faites-le en mode forcé.)

- (1) Purgez l'air du flexible de charge en raccordant le flexible de charge du manomètre à l'orifice de charge de la vanne à 3 voies (au moins une unité des unités raccordées) et en ouvrant légèrement la vanne basse pression.
- (2) Fermez complètement le tube de la vanne à 2 voies (toutes les unités raccordées).
- (3) Démarrez le système de refroidissement ou le système de refroidissement forcé suivant. (Toutes les unités raccordées) Si vous utilisez la télécommande, appuyez sur la touche « ESSAI DE FONCTIONNEMENT (TEST RUN) » après avoir démarré le système de refroidissement à l'aide de la télécommande. Le témoin de fonctionnement et le témoin de minuterie commenceront à clignoter simultanément pendant le test de fonctionnement. Si vous utilisez la touche MANUEL-AUTOMATIQUE (MANUAL AUTO) de l'unité intérieure (télécommande perdue, etc.), maintenez-la enfoncée pendant plus de 10 secondes. (Le système de refroidissement forcé ne peut pas démarrer si vous ne maintenez pas la touche MANUEL-AUTOMATIQUE (MANUAL AUTO) enfoncée pendant plus de 10 secondes.)
- (4) Fermez le tube de la vanne à 3 voies (toutes les unités raccordées) lorsque le manovacuomètre affiche 7,3~0 psi (0,05~0 MPa).
- (5) Arrêtez le fonctionnement. (Toutes les unités raccordées) Appuyez sur la touche MARCHE/ARRÊT (START/STOP) de la télécommande pour arrêter le climatiseur. Appuyez sur la touche MANUEL-AUTOMATIQUE (MANUAL AUTO) lorsque vous arrêtez le système du côté de l'unité intérieure. (Il est inutile de maintenir la touche enfoncée pendant plus de 10 secondes.)

⚠ ATTENTION

Pendant l'opération de pompage, assurez-vous que le compresseur est éteint avant de retirer le tuyau réfrigérant. Ne retirez pas le tuyau de connexion tant que le compresseur est en cours de fonctionnement avec la vanne à 2 ou 3 voies ouverte. Ceci peut générer une pression anormale dans le cycle de réfrigération pouvant provoquer une détérioration de l'appareil, voire des blessures.

10. CONSEILS AU CLIENT

Expliquez les points suivants au client sur la base du manuel d'utilisation :

- (1) Démarrage et mise à l'arrêt, changement du mode de fonctionnement, réglage de la température, minuterie, changement du débit d'air et autres opérations de la télécommande.
- (2) Retrait et nettoyage des filtres à air.
- (3) Remise du manuel d'utilisation et du feuillet des consignes d'installation au client.

MANUEL D'INSTALLATION

N.º DE PIEZA 937474177

Unité extérieure

Contenido

1. PRECAUCIONES DE SEGURIDAD	1
2. ACERCA DEL PRODUCTO	2
2. 1. Precauciones para el uso del refrigerante R410A	2
2. 2. Herramientas especiales para el refrigerante R410A	2
2. 3. Accesorios	2
2. 4. Configuración del sistema	3
3. INSTALACIÓN	5
3. 1. Selección de una ubicación de instalación	5
3. 2. Dimensiones de instalación	5
3. 3. Colocación de la unidad	6
3. 4. Instalación de drenaje	6
3. 5. Asegure la unidad	7
4. INSTALACIÓN DE LA TUBERÍA - 1	7
4. 1. Conexión de tuberías	7
5. CABLEADO ELÉCTRICO	8
5. 1. Precauciones para el cableado eléctrico	8
5. 2. Requisitos eléctricos	9
5. 3. Cómo conectar el cable a los terminales	9
5. 4. Diagramas de conexión	9
5. 5. Método de cableado	10
6. INSTALACIÓN DE LA TUBERÍA - 2	11
6. 1. proceso de vacío	11
6. 2. Carga adicional	12
7. ALIMENTACIÓN	12
8. PRUEBA	12
8. 1. Realice una prueba de acuerdo con el Manual de instalación de la unidad interior	12
8. 2. LED de la unidad exterior	12
8. 3. Confirmación del funcionamiento de la unidad interior	13
9. BOMBEO DE EXTRACCIÓN	13
10. GUÍA PARA EL CLIENTE	13

1. PRECAUCIONES DE SEGURIDAD

Este manual de instalación describe únicamente cómo instalar la unidad de exterior. Para instalar la unidad de interior, lea el manual de instalación suministrado con la unidad de interior.

¡IMPORTANTE!

Lea lo siguiente antes de empezar

Este sistema de aire acondicionado satisface estrictas normas de seguridad y de funcionamiento.

Como instalador o técnico de servicio, es muy importante en su trabajo realizar la instalación o el servicio del sistema de modo que funcione con seguridad y eficacia.

Para realizar una instalación segura y conseguir un funcionamiento sin problemas, deberá:

- Leer con atención este manual de instrucciones antes de empezar.
- Seguir cada uno de los pasos de instalación o reparación exactamente como se indican.
- Observar todas las regulaciones eléctricas locales, estatales y nacionales.
- Preste mucha atención a todas las advertencias y avisos de precaución que aparecen en este manual.

ADVERTENCIA:

Este símbolo se refiere a acciones peligrosas o inseguras que pueden ocasionar heridas personales graves o incluso la muerte.

ATENCIÓN:

Este símbolo se refiere a acciones peligrosas o inseguras que pueden ocasionar heridas personales y daños potenciales en el producto en la propiedad.

- Símbolos de aviso de peligro



Eléctrico



Seguridad/aviso

Si es necesario, solicite ayuda

Estas instrucciones son todo lo que necesitará para la mayor parte de lugares de instalación y situaciones de mantenimiento. Si requiere ayuda para un problema en especial, póngase en contacto con nuestra oficina de ventas/servicio o con la tienda del distribuidor certificado para obtener las instrucciones adicionales.

En caso de una instalación inadecuada

El fabricante no se hará nunca responsable por una instalación o un servicio de mantenimiento inadecuados, incluyendo la falta de observación de las instrucciones de este documento.

PRECAUCIONES ESPECIALES

Al realizar las conexiones eléctricas

LAS DESCARGAS ELÉCTRICAS PUEDEN CAUSAR HERIDAS GRAVES PERSONALES O INCLUSO LA MUERTE. LAS CONEXIONES ELÉCTRICAS DE ESTE SISTEMA SÓLO LAS DEBERÁ REALIZAR UN ELECTRICISTA EXPERIMENTADO Y CUALIFICADO.

- No conecte la alimentación del aparato hasta haber terminado todas las conexiones eléctricas y de los tubos, y de haberlo comprobado todo.
- En este sistema se emplean tensiones eléctricas muy peligrosas. Consulte con atención el diagrama de conexiones y estas instrucciones para realizar las conexiones eléctricas. Unas conexiones inadecuadas y una toma de tierra inadecuada pueden ocasionar heridas personales o incluso la muerte.
- Realice la toma de tierra de la unidad siguiendo las regulaciones eléctricas locales.
- Conecte todos los cables dejándolos bien tensados. Los cables flojos pueden causar sobrecalentamiento en los puntos de conexión y ser causa de posibles incendios.

Durante el transporte

Tenga cuidado cuando tome y mueva las unidades interior y exterior. Solicite a un compañero que le ayude, y doble las rodillas cuando tenga que levantarlo para reducir el esfuerzo en la espalda. Los bordes afilados y las aletas finas de aluminio del acondicionador de aire pueden causar cortes en los dedos.

Durante la instalación...

...En un techo o pared

Asegúrese de que el techo/pared tengan suficiente resistencia para soportar el peso de la unidad. Es posible que resulte necesario construir una estructura de madera o metálica para proporcionar mayor capacidad de soporte.

...En una habitación

Aíse adecuadamente todos los tubos que pasen por el interior de la habitación para evitar la "condensación de humedad" que causa el goteo de manchas de agua en las paredes y suelos.

...En lugares húmedos o desnivelados

Emplee un soporte de cemento ladrillos de cemento para poner el piso sólido y nivelado para la unidad exterior. De este modo evitará daños debidos al agua y vibraciones anormales.

...En lugares que soplan fuertes vientos

Efectúe el anclaje de la unidad exterior de forma segura con pernos y una estructura metálica. Proporcione una protección adecuada.

...En lugares en los que nieva mucho (para sistemas del tipo de bomba de calor)

Instale la unidad exterior en un soporte elevado que sea más alto que la nieve acumulada. Proporcione ventilación para la nieve.

Cuando conecte los tubos de refrigerante

- Mantenga todos los tubos lo más cortos que sea posible.
- Emplee el método de abocinado para la conexión de tubos.
- Aplique lubricante refrigerante (o equivalente) que se utiliza para la unidad exterior a las superficies de acoplamiento de las partes abocinadas y tubos de unión antes de su conexión, luego apriete la tuerca con una llave dinamométrica para conseguir una conexión sin escapes.
- Verifique con cuidado que no haya escapes antes de realizar la prueba de funcionamiento. Proporcione ventilación para la nieve.

NOTA:

Dependiendo del tipo del sistema, las líneas de líquido y de gas pueden ser estrechas o anchas. Por lo tanto, para evitar confusiones de los tubos de refrigerante en su modelo en particular, se especifica como "pequeña" o "grande" en lugar de "líquido" o "gas".

Cuando realice el servicio técnico

- Desconecte la alimentación en el panel del disyuntor del circuito principal antes de abrir la unidad o de comprobar o reparar partes y conexiones eléctricas.
- Mantenga los dedos y la ropa apartados de las partes móviles.
- Limpie el lugar después de haber terminado, y recuerde que hay que comprobar que no quedan partículas metálicas ni trozos de hilos eléctricos dentro de la unidad en la que se realiza el servicio.
- Después de la instalación, explique la operación correcta al cliente, empleando el manual de instrucciones.
 - Asegúrese de leer este Manual completo antes de la instalación.
 - Las advertencias y precauciones que se indican en este Manual contienen información importante relacionada con la seguridad. Asegúrese de tenerlas en cuenta.
 - Entregue este Manual, junto con el Manual de Funcionamiento, al cliente. Recomiende al cliente que los tenga a mano para uso futuro; por ejemplo, para reubicar o reparar la unidad.
 - Después de la instalación, explique la operación correcta al cliente, empleando el manual de instrucciones.

⚠ ADVERTENCIA

Nunca toque los componentes eléctricos inmediatamente después de haber apagado el suministro eléctrico. Pueden producirse descargas eléctricas. Después de desconectar la alimentación eléctrica, espere siempre 5 minutos o más antes de tocar los componentes eléctricos.

Durante la instalación, asegúrese que la tubería del refrigerante esté firmemente conectada antes de hacer funcionar el compresor. No haga funcionar el compresor bajo condiciones en las cuales la tubería del refrigerante no esté debidamente conectada con la válvula de 2 ó 3 vías abierta. Esto podría causar una presión anormal en el ciclo de refrigeración que lleve a roturas e incluso a lesiones.

No remueva la tubería de conexión mientras esté funcionando el compresor con la válvula de 2 ó 3 vías abierta. Esto podría causar una presión anormal en el ciclo de refrigeración que lleve a roturas e incluso a lesiones.

Cuando se esté instalando y relocalizando el acondicionador de aire, no mezcle ningún gas que sea diferente al refrigerante especificado (R410A), ni permita que entre al ciclo refrigerante. Si ingresa aire u otro gas al ciclo refrigerante, la presión dentro del ciclo subirá a un valor anormalmente alto y causará roturas, lesiones, etc.

Cuando instale este sistema en lugares muy húmedos, hágalo utilizando disyuntores de falla de conexión a tierra (también conocidos en otros países como ELBC, disyuntor de fuga a tierra) para reducir el riesgo de fugas de corriente que pueden provocar descargas eléctricas o incendios.

⚠ ATENCIÓN

Para que el acondicionador de aire funcione satisfactoriamente, instálelo como se describe en este manual de instalación.

Conecte la unidad de interior y la unidad de exterior con las piezas estándar disponibles de tubería y cables para el acondicionador de aire. Este manual de instalación describe las conexiones correctas usando el juego de instalación disponible a partir de las piezas estándar.

El trabajo de instalación debe ser realizado de acuerdo con las normas nacionales de cableado únicamente por personal autorizado.

Además, no se debe usar un prolongador.

No encienda la alimentación antes de terminar todo el trabajo de instalación.

No debe purgar el aire con refrigerantes, sino que debe usar una bomba de vacío para aplicar vacío a la instalación.

No hay refrigerante extra en la unidad exterior para realizar la purga de aire.

Use una bomba de vacío para R410A exclusivamente.

El uso de la misma bomba de vacío para diferentes refrigerantes puede dañar la bomba de vacío o la unidad.

Use un distribuidor del medidor limpio y una manguera de carga para R410A exclusivamente.

Si se produce una pérdida de refrigerante mientras se realiza el trabajo, ventile el área. Si el refrigerante entra en contacto con llamas, produce un gas tóxico.

- Tenga cuidado de no raspar el acondicionador de aire cuando esté manipulándolo.
- Después de la instalación, explique la operación correcta al cliente, mediante el manual de operación.
- Permita que el cliente conserve este manual de instalación ya que será usado cuando se requiera hacer la reparación/mantenimiento o traslado del acondicionador de aire.
- Este producto se fabrica en unidades y tolerancias métricas. Las unidades de uso en Estados Unidos se incluyen solo como referencia. En los casos cuando se necesiten las dimensiones y tolerancias exactas, siempre tome las unidades métricas como referencia.

2. ACERCA DEL PRODUCTO

2.1. Precauciones para el uso del refrigerante R410A

⚠ ADVERTENCIA

Los procedimientos de trabajo de instalación básica son los mismos que los de los modelos con refrigerante convencional.

Sin embargo, debe prestar especial atención a los siguientes puntos:

Dado que la presión de trabajo es 1,6 veces mayor que la de los modelos con refrigerante convencional (R22), algunos tubos y herramientas de instalación y servicio son especiales. (Vea la tabla siguiente.)

Especialmente, al reemplazar un modelo con refrigerante convencional (R22) por un nuevo modelo con refrigerante R410A, debe reemplazar siempre los tubos y tuercas abocinadas convencionales por los tubos y tuercas abocinadas de R410A.

Los modelos que usan el refrigerante R410A tienen un diámetro de rosca de puerto de carga diferente para evitar la carga equivocada con refrigerante convencional (R22) y por motivos de seguridad. Por lo tanto, verifique el diámetro por adelantado. [El diámetro de rosca del puerto de carga para R410A es de 1/2 UNF 20 roscas por pulgada.]

Debe tener cuidado para evitar que materiales extraños (aceite, agua, etc.) entren en el tubo que con los modelos con refrigerante. Además, al guardar los tubos, selle de forma segura las aperturas apretándolas, encintándolas, etc.

Al cargar el refrigerante, tenga en cuenta el ligero cambio en la composición de las fases gaseosa y líquida, y siempre cargue desde la fase líquida, donde la composición del refrigerante es estable.

2.2. Herramientas especiales para el refrigerante R410A

Nombre de la herramienta	Contenido del cambio
Distribuidor del medidor	La presión es alta y no puede medirse con un medidor convencional. Para evitar la mezcla errónea con otros refrigerantes, se ha cambiado el diámetro de cada puerto. Se recomienda el medidor con sellos de 30 pulg. Hg a 769 psi (-0,1 a 5,3 MPa) para alta presión. 30 pulg. Hg a 551 psi (-0,1 a 3,8 MPa) para presión baja.
Manguera de carga	Para aumentar la resistencia a la presión, se cambiaron el material de la manguera y el tamaño de la base.
Bomba de vacío	Se puede usar una bomba de vacío convencional instalando un adaptador de bomba de vacío.
Detector de pérdidas de gas	Detector de pérdidas de gas especial para refrigerante HFC R410A.

Tuberías de cobre

Es necesario usar tubos de cobre sin costura y es recomendable que la cantidad de aceite residual sea de menos de 0,004 onzas/100 pies (40 mg/10 m). No use tubos de cobre que tengan una parte aplastada, deformada o descolorida (especialmente en la superficie interior). De lo contrario, la válvula de expansión o el tubo capilar se pueden bloquear con contaminantes.

Dado que un acondicionador de aire que usa R410A presenta una presión más elevada que cuando se usa refrigerante convencional, es necesario elegir materiales adecuados. Los espesores de los tubos de cobre que se usan con R410A son los que aparece en la tabla. Nunca se deben usar tubos de cobre más delgados que lo especificado en la tabla, aunque estén disponibles en el mercado.

Grosor de Tuberías de Cobre Recocido (R410A)





Diámetro exterior de la tubería [pulg. (mm)]	Grosor [pulg. (mm)]
1/4 (6,35)	1/16 (0,80)
3/8 (9,52)	1/16 (0,80)
1/2 (12,70)	1/16 (0,80)
5/8 (15,88)	1/16 (1,00)
3/4 (19,05)	1/16 (1,20)

2.3. Accesorios

⚠ ADVERTENCIA

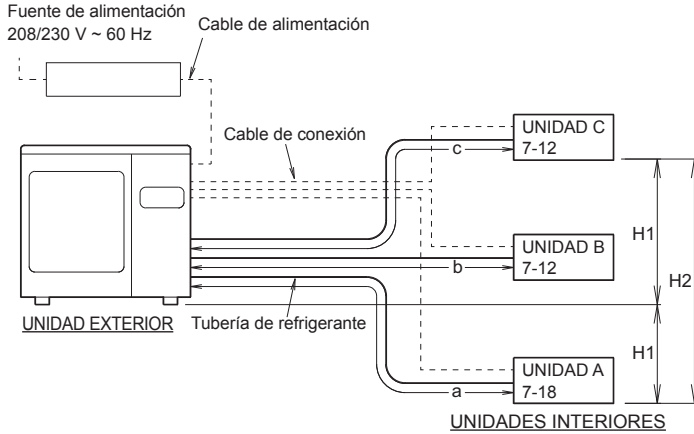
Para la instalación, asegúrese de utilizar las piezas suministradas por su fabricante u otras piezas prescritas. El uso de piezas no prescritas puede causar accidentes serios como la caída de la unidad, fugas de agua, descargas eléctricas, o incendios.

No se deshaga de las piezas de conexión hasta que haya finalizado la instalación.

Nombre y forma	Cant.	Aplicación
Manual de Instalación 	1	(Este libro)
Tapa de drenaje 	5	Para el trabajo de la tubería de drenaje de la unidad exterior
Tubería de drenaje 	1	
Conjunto del adaptador 1/2 pulg. → 3/8 pulg. (12,70 mm) (9,52 mm) 	1	Para utilizar cuando se conectan los modelos 7-12 al puerto exterior A [sólo tipo 24]

2. 4. Configuración del sistema

2. 4. 1. Tipo de unidad con la capacidad de conectar en interiores (Unidad exterior: Tipo 24)



⚠ ATENCIÓN

La capacidad total de las unidades interiores conectadas debe estar entre 14.000 y 27.000 BTU. Los patrones de conexión son restringidos. No se garantiza el funcionamiento normal si el patrón de conexión de la combinación no se encuentra en la lista siguiente. El producto puede resultar dañado. Realice la conexión de acuerdo a la combinación del siguiente patrón de conexión.

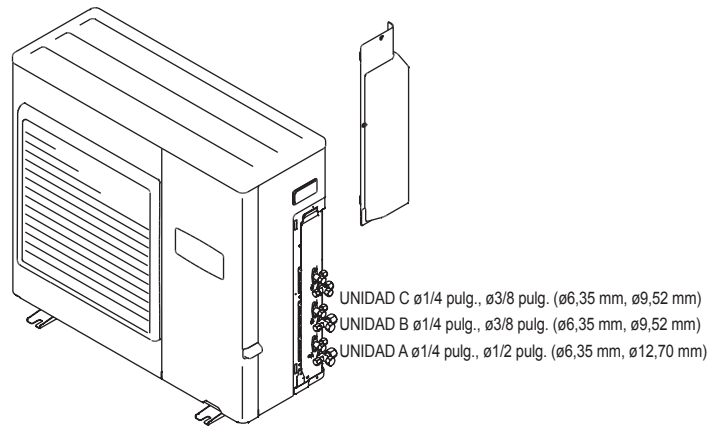
- Para instalar una unidad interior, consulte la hoja de instrucciones de instalación incluida con la unidad interior.

Patrón de conexión de la unidad interior

	Unidad interior		
	1	2	3
1	7.000	7.000	–
2	9.000	7.000	–
3	12.000	7.000	–
4	15.000	7.000	–
5	18.000	7.000	–
6	9.000	9.000	–
7	12.000	9.000	–
8	15.000	9.000	–
9	18.000	9.000	–
10	12.000	12.000	–
11	15.000	12.000	–
12	7.000	7.000	7.000
13	9.000	7.000	7.000
14	12.000	7.000	7.000
15	9.000	9.000	7.000
16	9.000	9.000	9.000

Puerto exterior		Nombre del modelo conectable
Tamaño de puerto estándar [pulg. (mm)]		
C	1/4 (6,35) / 3/8 (9,52)	7 – 12
B	1/4 (6,35) / 3/8 (9,52)	7 – 12
A	1/4 (6,35) / 1/2 (12,70)	7 – 12 ^{*1} /15 – 18

*1) Cuando se conectan los modelos 7–12 a la unidad exterior, es necesario utilizar el adaptador incluido. Para obtener más información, consulte "4.1.4. Cómo utilizar el adaptador".



2. 4. 2. Limitación de la longitud del tubo refrigerante (tipo 24)

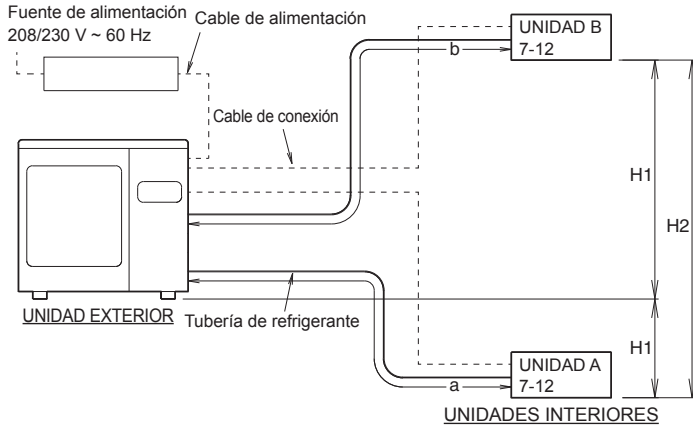
⚠ ATENCIÓN

En la tabla se muestran las longitudes de tubería máximas totales y la diferencia de altura de este producto. Si las unidades se encuentran más separadas de lo que se indica, no se puede garantizar un funcionamiento correcto.

Longitud máx. total (a+b+c)	164 pies (50 m) ^{*1}
Longitud máx. para cada unidad interior (a, b o c)	82 pies (25 m)
Diferencia de altura máx. entre la unidad exterior y cada unidad interior (H1)	49 pies (15 m)
Diferencia de altura máx. entre unidades interiores (H2)	33 pies (10 m)
Longitud mín. para cada unidad interior (a, b o c)	16 pies (5 m)
Longitud mín. total (a+b+c)	49 pies (15 m)

*1 Si el total de la tubería es más largo que 98 pies (30 m), es necesario cargar más refrigerante. (Para obtener más información, consulte "6.2. Carga adicional").

2. 4. 3. Tipo de unidad con la capacidad de conectar en interiores (Unidad exterior: Tipo 18)



⚠ ATENCIÓN

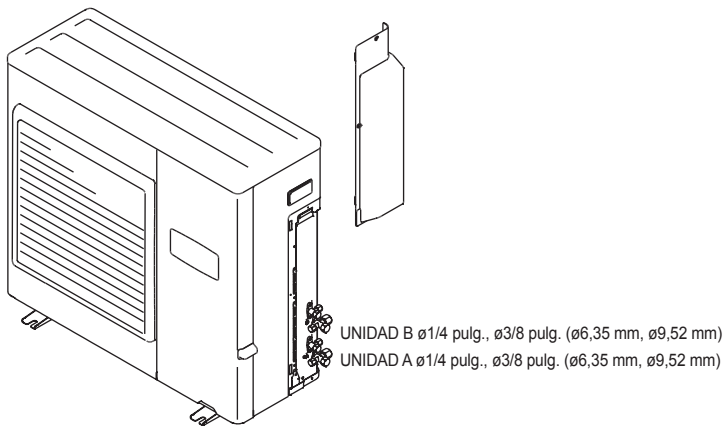
La capacidad total de las unidades interiores conectadas debe estar entre 14.000 y 21.000 BTU. Los patrones de conexión son restringidos. No se garantiza el funcionamiento normal si el patrón de conexión de la combinación no se encuentra en la lista siguiente. El producto puede resultar dañado. Realice la conexión de acuerdo a la combinación del siguiente patrón de conexión.

- Para instalar una unidad interior, consulte la hoja de instrucciones de instalación incluida con la unidad interior.

Patrón de conexión de la unidad interior

	Unidad interior	
	1	2
1	7.000	7.000
2	9.000	7.000
3	12.000	7.000
4	9.000	9.000
5	12.000	9.000

Puerto exterior		Nombre del modelo conectable
Tamaño de puerto estándar [pulg. (mm)]		
B	1/4 (6,35) / 3/8 (9,52)	7 - 12
A	1/4 (6,35) / 3/8 (9,52)	7 - 12



2. 4. 4. Limitación de la longitud del tubo refrigerante (tipo 18)

⚠ ATENCIÓN

En la tabla se muestran las longitudes de tubería máximas totales y la diferencia de altura de este producto. Si las unidades se encuentran más separadas de lo que se indica, no se puede garantizar un funcionamiento correcto.

Longitud máx. total (a+b)	164 pies (50 m)* ¹
Longitud máx. para cada unidad interior (a o b)	82 pies (25 m)
Diferencia de altura máx. entre la unidad exterior y cada unidad interior (H1)	49 pies (15 m)
Diferencia de altura máx. entre unidades interiores (H2)	33 pies (10 m)
Longitud mín. para cada unidad interior (a o b)	16 pies (5 m)
Longitud mín. total (a+b)	49 pies (15 m)

*1 Si el total de la tubería es más largo que 98 pies (30 m), es necesario cargar más refrigerante. (Para obtener más información, consulte "6.2. Carga adicional").

2. 4. 5. Selección de los tamaños de tubería

Los tamaños de las tuberías de conexión difieren de acuerdo con la capacidad de la unidad interior.

Consulte la tabla siguiente para obtener información sobre los diámetros adecuados de las tuberías de conexión entre las unidades interiores y exteriores.

Capacidad de la unidad interior	Tamaño de la tubería de gas (espesor) [pulg. (mm)]	Tamaño de la tubería de líquido (espesor) [pulg. (mm)]
7 - 12	$\phi 3/8$ (1/16) [9,52 (0,8)]	$\phi 1/4$ (1/16) [6,35 (0,8)]
15 - 18	$\phi 1/2$ (1/16) [12,70 (0,8)]	$\phi 1/4$ (1/16) [6,35 (0,8)]

⚠ ATENCIÓN

No se puede garantizar el funcionamiento si no se utiliza la combinación correcta de tuberías, válvulas, etc. para conectar las unidades interiores y exteriores.

2. 4. 6. Requisitos de aislamiento térmico alrededor de las tuberías de conexión

⚠ ATENCIÓN

Instale aislamiento térmico alrededor de las tuberías de gas y de líquido. De lo contrario puede causar fugas de agua. Utilice aislamiento térmico con una resistencia térmica superior a 248 °F. (Sólo modelo de ciclo inverso). Además, si se espera que el nivel de humedad en el lugar de instalación de la tubería de refrigerante supere el 70%, instale aislamiento térmico alrededor de la tubería de refrigerante. Si el nivel de humedad esperada es del 70-80%, utilice aislamiento térmico de 19/32 pulg. o más grueso, y si la humedad esperada supera el 80%, utilice aislamiento térmico de 25/32 pulg. o más grueso. Si se utiliza un aislamiento térmico que no es tan grueso como se especifica, se puede formar condensación en la superficie del aislamiento. Además, utilice aislamiento térmico con una conductividad de calor de 0,045 W/(m·K) o menor (a 68 °F).

Conectar los tubos de conexión de acuerdo con "4.1. Conexión de tubería" en este manual de instalación.

2. 4. 7. Valores de operación

	Temperatura	Admisión de aire del interior	Admisión de aire del exterior
Refrigeración	Máximo	90 °F DB	115 °F DB
	Mínimo	65 °F DB	14 °F DB
Calefacción	Máximo	88 °F DB o menos	75 °F DB
	Mínimo	60 °F DB o menos	5 °F DB

Humedad del interior de cerca de 80% o menos

3. INSTALACIÓN

Por favor, obtenga la aprobación del cliente cuando esté seleccionando la ubicación de instalación y cuando esté instalando la unidad.

3.1. Selección de una ubicación de instalación

⚠ ADVERTENCIA

Instale la unidad exterior con seguridad en una ubicación que pueda resistir el peso de la unidad. En caso contrario, la unidad exterior puede caerse y provocar lesiones.

Asegúrese de instalar la unidad exterior tal y como se indica, para que pueda soportar terremotos y tifones u otros vientos fuertes. Una instalación incorrecta puede provocar que la unidad vuelque o se caiga, u otros accidentes.

No instale la unidad exterior cerca del canto de un balcón. Al ser así, los niños podrían subirse a la unidad exterior y caerse por el balcón.

⚠ ATENCIÓN

No instale la unidad exterior en las zonas siguientes:

- Una zona con alto contenido en sal, como zonas cercanas al mar. Deteriorará las partes de metal, provocando la caída de las piezas o fugas de agua de la unidad.
- Una zona llena de aceite mineral o que contenga una grande cantidad de salpicaduras de aceite o vapor, como una cocina. Deteriorará las partes de plástico, provocando la caída de las piezas o fugas de agua de la unidad.
- Una zona que genere sustancias que afecten negativamente el equipamiento, como gas sulfúrico, gas de cloro, ácido, o álcali. Provocará la corrosión de las tuberías de cobre y juntas soldadas, que a su vez pueden causar fugas de refrigerante.
- Una zona que contenga equipamiento que genere interferencias electromagnéticas. Provocará un mal funcionamiento del sistema de control, evitando que la unidad funcione de modo normal.
- Una zona propensa a fugas de gas combustible, que contenga fi bras de carbono en suspensión o polvo inflamable, o sustancias volátiles inflamables como aguarrás o gasolina. Si se produce una fuga de gas y se acumula alrededor de la unidad, puede provocar un incendio.
- Área que cuenta con fuentes de calor, vapores o el riesgo de fugas de gas inflamable en los alrededores.
- Una zona donde vivan animales pequeños. Puede provocar fallos, humo o incendios si los animales penetran en la unidad y tocan las partes eléctricas internas.
- Una zona donde los animales puedan orinar en la unidad o donde se pueda generar amoníaco.

No instale la unidad externa sin una inclinación.

Instale la unidad exterior en una zona bien ventilada, lejos de la lluvia o de la luz solar directa.

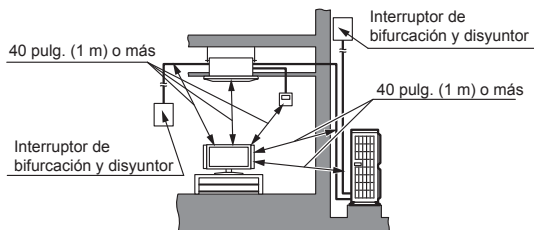
Si la unidad exterior se pretende instalar en una zona de fácil acceso al público general, instale las vallas de protección necesarias o protecciones equivalentes para evitar su acceso.

Instale la unidad exterior en una ubicación que no incomode a sus vecinos, ya que podrían resultar afectados por el aire que expulse, el ruido, o la vibración. Si pretende instalarlo cerca de sus vecinos, asegúrese de obtener su aprobación.

Si la unidad exterior se instala en una zona fría que esté afectada por la acumulación de nieve, precipitación de nieve, o congelación, tome las medidas necesarias para protegerla de estos elementos. Para asegurar un funcionamiento estable, instale los conductos e entrada y salida.

Instale la unidad exterior en una zona lejos de tubos de escape, o tubos de ventilación que expulsan vapor, hollín, polvo o desechos.

Instale la unidad interior, unidad exterior, cable de alimentación eléctrica, cable de transmisión, y cable del mando a distancia por lo menos 40 pulg. (1 m), separado de receptores de televisión o radio. De este modo se evita cualquier interferencia en la recepción de TV o ruidos en la radio. (Incluso instalándola a más de 40 pulg. (1 m), de separación, se podrían oír aún ruidos en algunas condiciones.)



Si los niños de menos de 10 años se acercan a la unidad, tome las medidas de precaución necesarias para que no tengan acceso a ésta.

Mantenga la longitud de la tubería de las unidades interiores y exteriores en el intervalo permitido.

Por motivos de mantenimiento, no entierre la tubería.

3.2. Dimensiones de instalación

⚠ ATENCIÓN

Seleccione ubicaciones de instalación que puedan soportar correctamente el piso de las unidades interior y exterior. Instale las unidades en forma segura de modo que no se derrumben o caigan.

⚠ ADVERTENCIA

No instale en donde haya peligro de fuga de gas combustible.

No instale la unidad cerca de una fuente de calor, vapor o gas inflamable.

Si hay probabilidad de que se acerquen niños menores de 10 años a la unidad, tome medidas preventivas para que no puedan alcanzarla.

⚠ ATENCIÓN

Instale la unidad en un lugar en el que no se la incline más de 3°. Sin embargo, no instale la unidad inclinada hacia el lado que contiene el compresor.

Sujete la unidad exterior con seguridad cuando se la instala en un lugar que puede resultar expuesto a vientos fuertes.

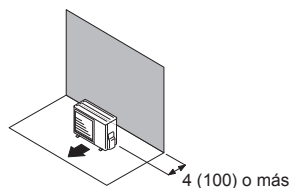
Decida la posición de montaje con el cliente de acuerdo a lo siguiente:

- (1) Instale la unidad exterior en un lugar que pueda soportar el peso de la unidad y la vibración, y en la que se pueda instalar horizontalmente.
- (2) Proporcione el espacio indicado para garantizar un flujo de aire adecuado.
- (3) Si es posible, no instale la unidad donde pueda quedar expuesta a la luz solar directa. (Si es necesario, instale una persiana que no interfiera con el flujo de aire).
- (4) No instale la unidad cerca de una fuente de calor, vapor o gas inflamable.
- (5) Durante el funcionamiento de calentamiento, agua de drenaje fluye desde la unidad exterior. Por lo tanto, instale la unidad exterior en un lugar donde no se obstruya el flujo de agua de drenaje. (Sólo modelo de ciclo inverso)
- (6) No instale la unidad donde haya vientos fuertes o en un lugar muy polvoriento.
- (7) No instale la unidad donde pase gente.
- (8) Instale la unidad exterior en un lugar donde esté libre de suciedad o de mojarse con la lluvia tanto como sea posible.
- (9) Instale la unidad donde sea fácil la conexión a la unidad interior.

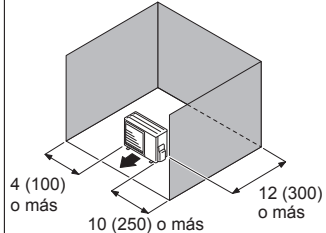
3.2.1. Instalación de una sola unidad exterior

Cuando el espacio superior está abierto: [Unidad: pulg. (mm)]

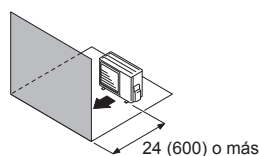
(1) Obstáculos en la parte posterior solamente



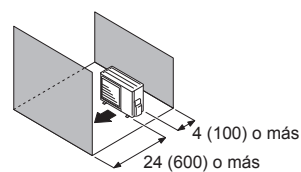
(2) Obstáculos en la parte posterior y los lados



(3) Obstáculos en la parte frontal solamente

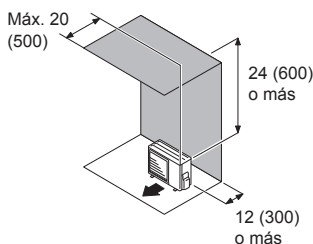


(4) Obstáculos en las partes frontal y posterior

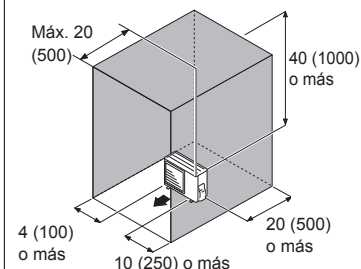


Cuando hay una obstrucción en el espacio superior: [Unidad: pulg. (mm)]

(1) Obstáculos en la parte posterior y arriba



(2) Obstáculos en la parte posterior, los lados y arriba

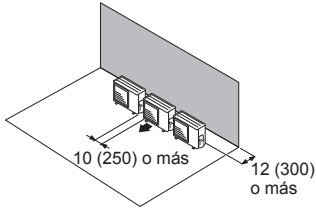


3. 2. 2. Instalación de múltiples unidades exteriores

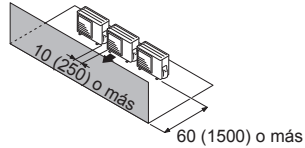
- Deje al menos 10 pulg. (250 mm) de espacio entre las unidades exteriores si se instalan varias de ellas.
- Cuando tienda la tubería desde el lado de una unidad exterior, deje espacio para la tubería.
- No deben instalarse más de 3 unidades, una al lado de la otra. Cuando se dispongan 3 unidades o más en una línea, deje el espacio indicado en el siguiente ejemplo cuando haya obstrucción en el espacio superior.

Cuando el espacio superior está abierto: [Unidad: pulg. (mm)]

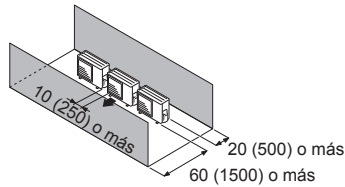
(1) Obstáculos en la parte posterior solamente



(2) Obstáculos en la parte frontal solamente

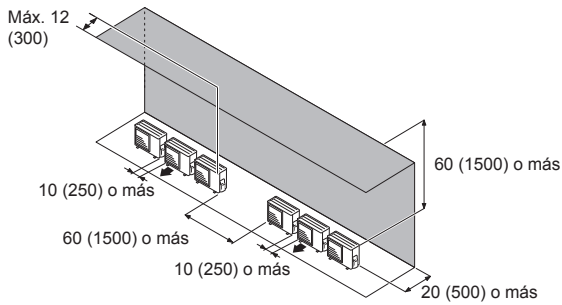


(3) Obstáculos en las partes frontal y posterior



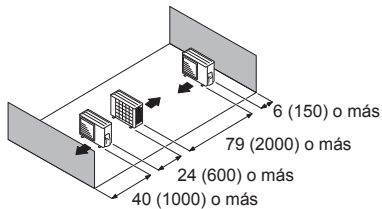
Cuando hay una obstrucción en el espacio superior: [Unidad: pulg. (mm)]

Obstáculos en la parte posterior y arriba

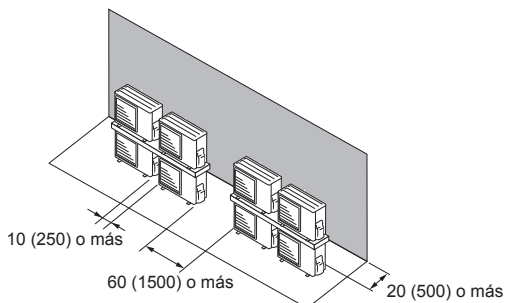
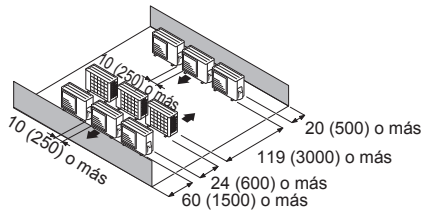


3. 2. 3. Instalación de unidades exteriores en varias filas [Unidad: pulg. (mm)]

(1) Colocación de una sola unidad en paralelo



(2) Colocación de varias unidades en paralelo



NOTAS:

- Si el espacio es más grande de lo antes indicado, la condición será igual que cuando no hay obstáculos.
- La altura sobre el nivel del piso debe ser de 2 pulg. (50 mm) o más.
- Al instalar la unidad exterior, asegúrese de abrir la parte frontal y el lado izquierdo para obtener una mejor eficiencia de operación.

3. 3. Colocación de la unidad

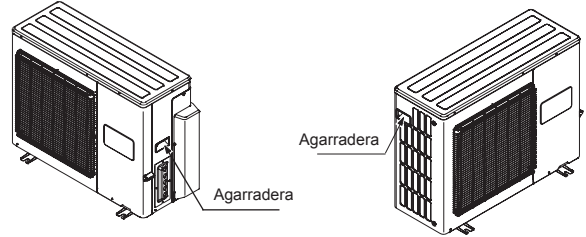
⚠ ADVERTENCIA

No toque las aletas. En caso contrario, podría provocarle lesiones personales.

⚠ ATENCIÓN

Quando transporte la unidad, sujete las manijas de los lados derecho e izquierdo con cuidado. Si la unidad exterior se transporta por la parte inferior, podría pillarse los dedos o manos.

- Asegúrese de asegurar las manijas de los lados de la unidad. El sujetar la rejilla de succión a los costados de la unidad podría causar su deformación.



3. 4. Instalación de drenaje

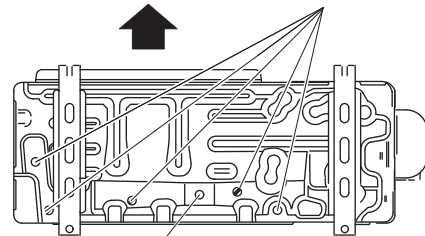
⚠ ATENCIÓN

Efectúe la instalación de drenaje de acuerdo con este Manual, y asegúrese de que el agua de drenaje se drena correctamente. Si el trabajo de drenaje no se realiza correctamente, el agua podría gotear de la unidad, mojando el mobiliario.

Quando la temperatura exterior sea 32°F o inferior, no utilice la tubería de drenaje accesoria y el tapón de drenaje. Si utiliza la tubería de drenaje y el tapón de drenaje, el agua de drenaje de la tubería se podría congelar provocando un ambiente extremadamente frío. (Sólo modelo de ciclo inverso)

Es fundamental sujetar la unidad exterior con pernos en los cuatro lugares indicados por las flechas.

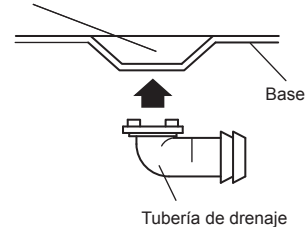
Lado inferior **AIR** Ubicación de montaje de la tapa de drenaje



Ubicación de montaje de la tubería de drenaje

A medida que el agua de drenaje fluye hacia afuera de la unidad de exterior durante la operación de calentamiento, instale la tubería de drenaje y conéctela a una manguera comercial de 5/8 pulg. (16 mm). (Sólo modelo de ciclo inverso)
Quando instale la tubería de drenaje, tape todos los agujeros menos el de la tubería de drenaje en la parte inferior de la unidad exterior con masilla para que no se produzcan fugas de agua. (Sólo modelo de ciclo inverso)

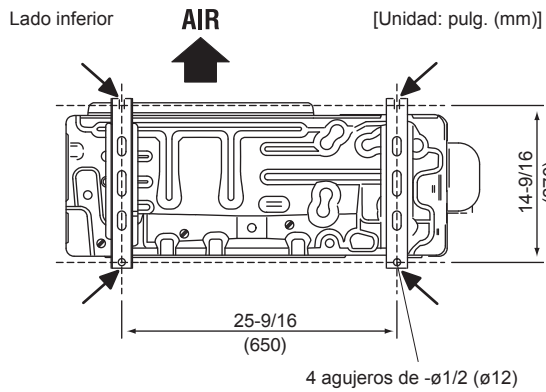
Agujero de montaje de la tubería de drenaje



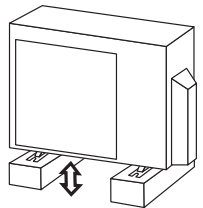
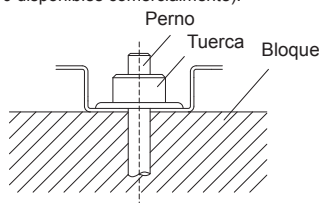
Tubería de drenaje

3. 5. Asegure la unidad

- Instale 4 pernos de anclaje en las ubicaciones indicadas con flechas en la figura.
- Para reducir la vibración, no instale la unidad directamente sobre el suelo. Instálela en una base segura (como bloques de hormigón).
- La base deberá soportar las piernas de la unidad y tener una amplitud de 2 pulg. (50 mm) o más.
- Dependiendo de las condiciones de instalación, la unidad exterior podría aumentar su vibración durante el funcionamiento, que podría causar ruido y vibración. Por lo tanto, coloque materiales aislantes (como almohadillas de aislamiento) en la unidad exterior durante la instalación.
- Instale la base, asegurándose de dejar el espacio suficiente para instalar las tuberías de conexión.
- Fije la unidad a un bloque sólido usando pernos de fijación (utilice los 4 conjuntos disponibles comercialmente de pernos, arandelas y tuercas M10).
- Los pernos deberán proyectarse 0,78 pulg. (20 mm). (Refiérase a la figura.)
- Si necesita protección contra vuelco, adquiera los artículos necesarios que estén disponibles comercialmente.



Sujete con seguridad con pernos en un bloque sólido. (Utilice 4 conjuntos de tuercas, arandelas y pernos M10 disponibles comercialmente).



- No se instale directamente en el suelo, esto puede provocar fallas en el equipo.

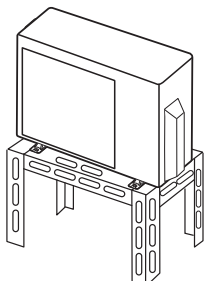
⚠ ATENCIÓN

No instale la unidad exterior en dos etapas, en donde el agua de drenaje podría congelarse. De lo contrario el drenaje de la unidad superior puede formar hielo y provocar una falla en la unidad inferior.

Cuando la temperatura exterior sea de 32 °F (0 °C) o menos, no use el tubo de drenaje accesorio ni el tapón de drenaje.

Si se usan el tubo y el tapón de drenaje, el agua de drenaje en el tubo puede congelarse en climas extremadamente fríos. (Para el modelo de ciclo inverso solamente.)

En áreas en donde caiga mucha nieve, si la entrada y salida de la unidad exterior se bloquean con nieve, podría ser difícil calentarse y esto probablemente provoque una falla. Construya un toldo y un pedestal, o coloque la unidad sobre un soporte elevado que se instale en forma local.



4. INSTALACIÓN DE LA TUBERÍA - 1

4. 1. Conexión de tuberías

⚠ ATENCIÓN

No aplique aceite mineral en la parte abocardada. Evite que el aceite mineral penetre en el sistema, pues reduciría la vida útil de la unidad.

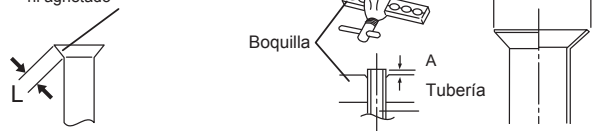
Mientras suelde las tuberías, asegúrese de hacer circular gas de nitrógeno por ellas.

Las longitudes máximas de este producto aparecen en la tabla. Si las unidades tienen una longitud superior a éstas, no se podrá garantizar un funcionamiento correcto.

4. 1. 1. Abocinado

- Utilice un cortatubos especial y un abocardador exclusivo para R410A.
- (1) Corte la tubería de conexión a la longitud necesaria con un cortatubos.
- (2) Sujete la tubería hacia abajo para que los cortes no penetren en la tubería y retire cualquier viruta.
- (3) Introduzca la tuerca abocardada (utilice siempre la tuerca abocardada para las unidades interior y exterior respectivamente) en la tubería y abocárdela con el abocardador. Se pueden producir fugas de refrigerante si utiliza otras tuercas abocardadas.
- (4) Proteja las tuberías presionándolas o con cinta adhesiva para evitar la penetración de polvo, suciedad o agua.

Compruebe que [L] esté abocardado uniformemente y que no esté rallado ni agrietado



Diámetro exterior de la tubería [pulg. (mm)]	Dimensión A [pulg. (mm)]	Dimensión B ⁰ / _{0.4} [pulg. (mm)]
	Abocardador para R410A, tipo embrague	
1/4 (6,35)	0 a 1/16 (0 a 0,5)	3/8 (9,1)
3/8 (9,52)		1/2 (13,2)
1/2 (12,70)		5/8 (16,6)
5/8 (15,88)		3/4 (19,7)
3/4 (19,05)		15/16 (24,0)

- Cuando utilice abocardadores convencionales para abocardar tuberías de R410A, la dimensión A debería ser de aproximadamente 1/32 pulg. más de lo que indica la tabla (para abocardar con abocardadores R410A) para conseguir el efecto abocardado necesario. Utilice un medidor de espesor para calcular la dimensión A.

Anchura entre planos



Diámetro exterior de la tubería [pulg. (mm)]	Anchura entre planos de la tuerca abocardada [pulg. (mm)]
1/4 (6,35)	11/16 (17)
3/8 (9,52)	7/8 (22)
1/2 (12,70)	1-1/32 (26)
5/8 (15,88)	1-5/32 (29)
3/4 (19,05)	1-13/32 (36)

4. 1. 2. Torcer tuberías

⚠ ATENCIÓN

Para evitar romper la tubería, tuércela evitando extremos puntiagudos. Doble la tubería con un radio de curvatura de 4 pulg. (100 mm) o más.

Si tuerce la tubería repetidamente en el mismo sitio, se romperá.

- Si tuerce las tuberías a mano, tenga cuidado de no atascarlas.
- No tuercer las tuberías en un ángulo superior a 90°.
- Cuando las tuberías se tuercen o aprieten repetidamente, el material se endurecerá, dificultando cada vez más la torsión o la presión.
- No tuercer ni apriete las tuberías más de tres veces.

4. 1. 3. Conexión de la tubería

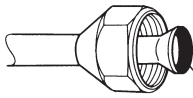
⚠ ATENCIÓN

Asegúrese de acoplar la tubería en el orificio de la unidad interior y de la unidad exterior correctamente. Si la centra incorrectamente, la tuerca abocardada no se podrá fijar con firmeza. Si se obliga a la tuerca abocardada a girar, los hilos se pueden dañar.

No retire la tuerca cónica de la tubería de la unidad exterior hasta inmediatamente antes de conectar la tubería de conexión.

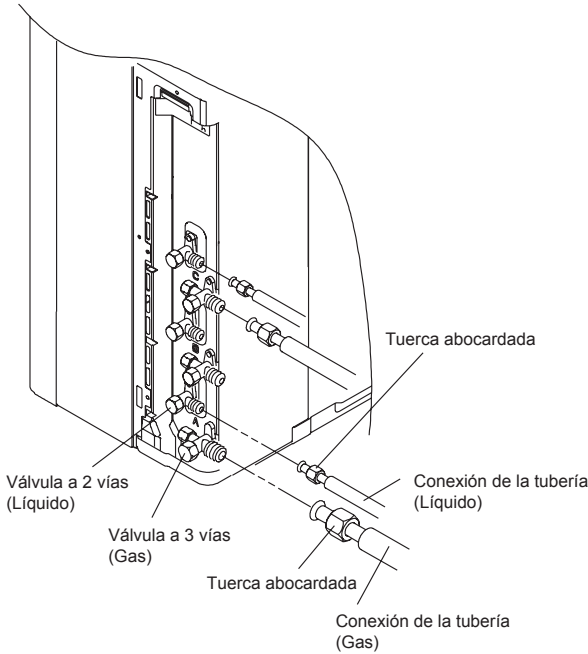
Después de instalar la tubería, asegúrese de que las tuberías de conexión no tocan con el compresor o con el panel exterior. Si las tuberías tocan con el compresor o con el panel exterior, vibrarán y producirán ruido.

- Retire los tapones y tapas de las tuberías.
- Centre la tubería contra el orificio de la unidad exterior, y luego gire la tuerca cónica a mano.

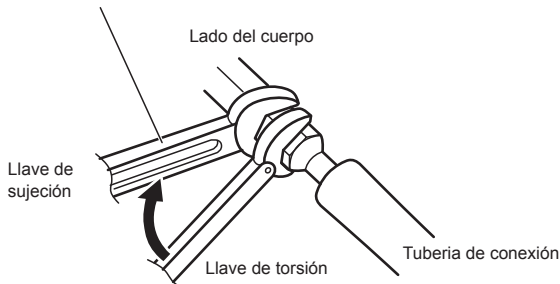


Para evitar fugas de gas, recubra la superficie de conexión con aceite alquilbenceno (HAB). No utilice aceite mineral.

- Sujete la tubería de conexión.



Con este modelo, la llave Holding sólo puede insertarse horizontalmente.



- Cuando haya apretado correctamente la tuerca cónica con su mano, use una llave de torsión para darle el apriete final.

⚠ ATENCIÓN

Sujete la llave de torsión por su empuñadura, manteniéndola en el ángulo correcto con respecto a la tubería, para poder tensar la tuerca abocardada adecuadamente.

- El panel exterior podría distorsionarse si se fija sólo con una llave inglesa. Asegúrese de fijar la parte elemental con una llave mecánica de sujeción (llave inglesa) y ajuste con una llave de torsión (refiérase al diagrama a continuación). No ejerza fuerza sobre la tapa ciega de la válvula ni cuelgue una llave inglesa, etc., de la tapa. Si se rompe el tapón, podría causar fugas de refrigerante.

Tuerca abocardada [pulg. (mm)]	Par de apriete [lbf-pies (N·m)]
1/4 (6,35) dia.	11,8 a 13,3 (16 a 18)
3/8 (9,52) dia.	23,6 a 31,0 (32 a 42)
1/2 (12,70) dia.	36,1 a 45,0 (49 a 61)
5/8 (15,88) dia.	46,5 a 55,3 (63 a 75)
3/4 (19,05) dia.	66,4 a 81,1 (90 a 110)

4.1.4. Cómo utilizar el adaptador (puertos de conexión de la unidad exterior)

- Cuando utilice el ADAPTADOR, tenga cuidado de no ajustar de más la tuerca, o se puede dañar la tubería más pequeña.
- Aplique una capa de aceite refrigerante al puerto de conexión roscado de la unidad exterior en el lugar donde se introduce la tuerca.
- Utilice las llaves adecuadas para evitar daños en la rosca de conexión ocasionados al apretar demasiado la tuerca.
- Utilice llaves en la tuerca (parte local) y el ADAPTADOR para ajustarlos.

Torsión de ajuste del adaptador

Tipo de adaptador [pulg. (mm)]	Par de apriete [lbf-pies (N·m)]
ø1/2 (ø12,70) → ø3/8 (ø9,52)	36,1 a 45,0 (49 a 61)

5. CABLEADO ELÉCTRICO

5.1. Precauciones para el cableado eléctrico

⚠ ADVERTENCIA

Las conexiones del cableado deberá realizarlas una persona cualificada de acuerdo con las especificaciones.

La alimentación asignada de este producto es de 60 Hz, 208/230 V. Utilice una tensión que se halle dentro del intervalo de 187-253 V.

Antes de conectar los cables, asegúrese de que la alimentación se encuentra desconectada.

Cuando instale este sistema en lugares muy húmedos, hágalo utilizando disyuntores de falla de conexión a tierra (también conocidos en otros países como ELBC, disyuntor de fuga a tierra) para reducir el riesgo de fugas de corriente que pueden provocar descargas eléctricas o incendios.

Seleccione el número de tubos de separación y cómprelos antes de iniciar los trabajos de instalación.

Cuando se esté seleccionando un disyuntor, tenga la gentileza de cumplir con las leyes y las regulaciones de cada país.

Se debe instalar un disyuntor en la fuente de energía eléctrica de la unidad de exterior.

La selección y la instalación equivocadas del disyuntor causarán un choque eléctrico o un incendio.

No conecte la alimentación de CA a la placa de bornes de la línea de transmisión. Un cableado incorrecto puede dañar todo el sistema.

Conecte firmemente el conector en el terminal.

Una instalación incorrecta puede provocar un incendio.

Asegúrese de fijar la parte del aislamiento del cable conector con la abrazadera de cable. Un aislamiento defectuoso puede provocar un cortocircuito.

Nunca instale un condensador de mejora del factor de potencia. En lugar de mejorar el factor de potencia, el condensador podría sobrecalentarse.

Antes de poner en funcionamiento la unidad, ponga el interruptor de alimentación en OFF (desconectado). No toque a continuación las piezas eléctricas durante 10 minutos, ya que podría recibir una descarga.

Asegúrese de realizar una conexión a tierra. Una conexión a tierra incorrecta puede provocar descargas eléctricas.

⚠ ATENCIÓN

La capacidad de la fuente de alimentación principal es para el propio acondicionador de aire y no incluye el uso de otros dispositivos al mismo tiempo.

No utilice cables de alimentación de cruce para la unidad exterior.

Si la corriente eléctrica no es adecuada, póngase en contacto con la compañía de electricidad.

Instale un disyuntor automático en una ubicación que no esté expuesta a altas temperaturas.

Si la temperatura alrededor del disyuntor es demasiado alta, el amperaje al cual se activa el disyuntor podría disminuir.

Sugerimos instalar disyuntores de falla de conexión a tierra o cumplir las normas eléctricas locales. Este sistema utiliza un inversor, lo que significa que, cuando es utilizado con un disyuntor de descarga a tierra, debe utilizar disyuntores compatibles con altas frecuencias (30 mA o superior) para evitar un mal funcionamiento del mismo dispositivo de descarga a tierra.

Cuando instale el tablero de distribución eléctrica en el exterior, colóquelo en un lugar cerrado con llave para dificultar el acceso al mismo.

No fije los cables de alimentación y transmisión juntos.

Respete siempre la longitud máxima del cable de transmisión. Si se sobrepasa esta longitud, se pueden producir fallos en el funcionamiento.

La electricidad estática con la que está cargado el cuerpo humano puede dañar el panel de circuitos impresos del control al manipularlo para ajustar la dirección, etc. Observe las siguientes precauciones.

Proporcione una conexión a tierra para las unidades interior y exterior, así como para el equipamiento opcional.

Desconecte la alimentación (disyuntor).

Toque la parte metálica (por ejemplo, la parte sin pintar de la caja de control) de la unidad interior o exterior durante más de 10 segundos. Descargue la electricidad estática de su cuerpo.

Nunca toque el patrón o el terminal del componente en el panel de circuitos impresos.

5.2. Requisitos eléctricos

⚠ ATENCIÓN

Asegúrese de instalar un disyuntor automático con la capacidad especificada.

La regulación de cables y disyuntores difiere entre cada localidad, establezca referencias de acuerdo con las regulaciones locales.

Voltaje nominal	1Φ 208/230 V (60 Hz)
Valores de operación	187-264 V

Cable	Tamaño del cable *1)	Comentarios
Cable de alimentación eléctrica	Tipo 18: 14AWG Tipo 24: 12AWG	Cable 2 + Tierra, 1 Ø 208/230 V
Cable de conexión	14AWG	Cable 3 + Tierra, 1 Ø 208/230 V

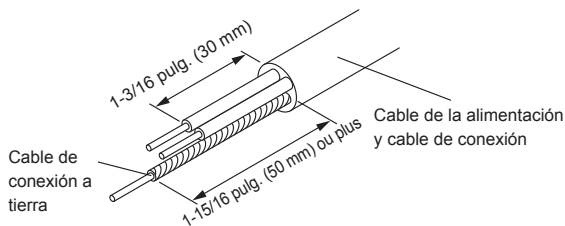
- 1) Muestra seleccionada: Seleccione el tipo y tamaño de cable correcto de acuerdo con las regulaciones del país o región.
Longitud máx. del cable: establezca una longitud de forma que la caída de tensión sea inferior al 2%. Incremente el diámetro del cable cuando la longitud del mismo sea considerable.

Disyuntor automático	Especificación *2)
Disyuntor automático de circuito	Tipo 18: 15(A) Tipo 24: 20(A)
Disyuntor de fuga a tierra	Corriente de fuga: 30 mA 0,1 segundos o menos *3)

- 2) Seleccione el disyuntor apropiado con la especificación descrita de acuerdo con los estándares nacionales o regionales.
3) Seleccione el disyuntor de manera que pueda pasar la suficiente corriente de carga a través de él.

5.3. Cómo conectar el cable a los terminales

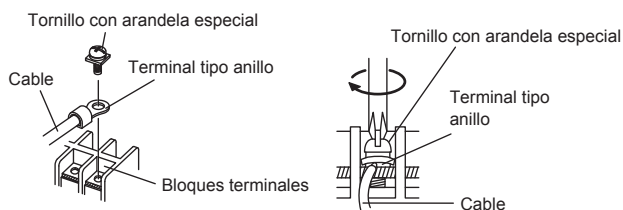
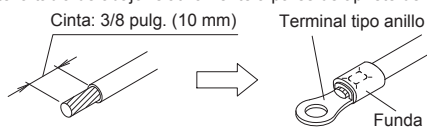
- Cuando quite el revestimiento de un cable conductor, utilice siempre una herramienta especial como un alicate pelacables. Si no dispone de ninguna herramienta especial, pele con cuidado el revestimiento con un cuchillo o utensilio similar.



Cómo conectar los cables al terminal

Cuidado al conectar el cable

- 1) Use terminales tipo anillo con mangas de aislamiento como se muestra en la figura para las conexiones al bloque de terminales.
- 2) Sujete firmemente los terminales tipo anillo a los cables usando una herramienta apropiada, de modo que los cables no se suelten.
- 3) Utilice los cables indicados, conéctelos firmemente, y ténselos para que no se ejerza presión sobre los terminales.
- 4) Utilice un destornillador adecuado para fijar los tornillos del terminal. No utilice un destornillador que sea demasiado pequeño, o los extremos de los tornillos se dañarán y evitarán la fijación correcta de los tornillos.
- 5) No fi je excesivamente los tornillos del terminal, o éstos se romperán.
- 6) Consulte la tabla de abajo relativamente a pares de apriete de tornillos de terminal.

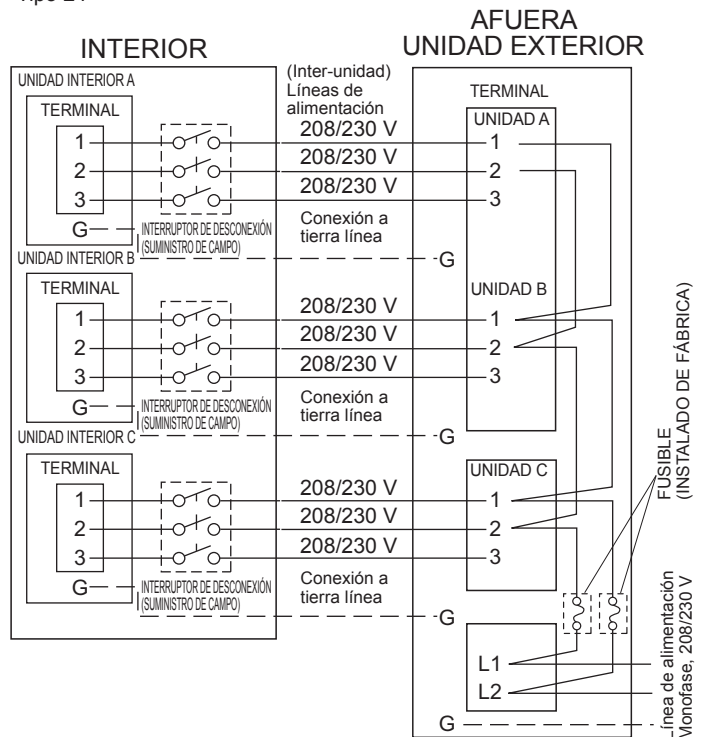


Par de apriete [lbf-pulg. (N·m)]

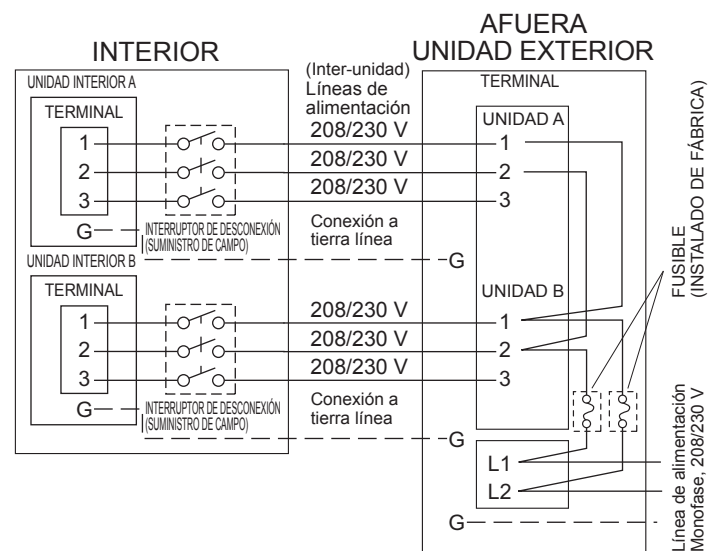
Tornillo M4	10,6 a 15,9 (1,2 a 1,8)
-------------	-------------------------

5.4. Diagramas de conexión

Tipo 24



Tipo 18



⚠ ADVERTENCIA

El interruptor de desconexión y de protección de sobrecorriente que figura en el cuadro siguiente se debe instalar entre la unidad interior y la unidad exterior.

Interruptor de desconexión

15 A

⚠ ATENCIÓN

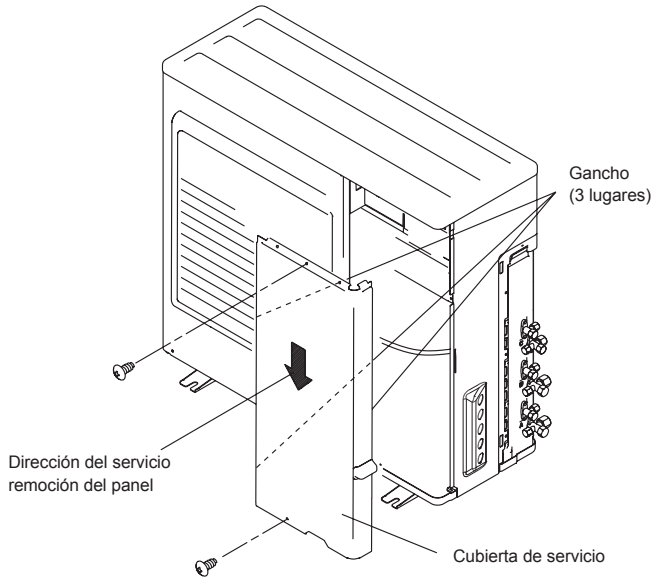
Asegúrese de consultar el diagrama anterior para realizar el cableado de manera correcta.
Un cableado incorrecto ocasiona el mal funcionamiento de la unidad.

Consulte los códigos eléctricos locales, junto con cualquier instrucción o limitación de cableado específicas.

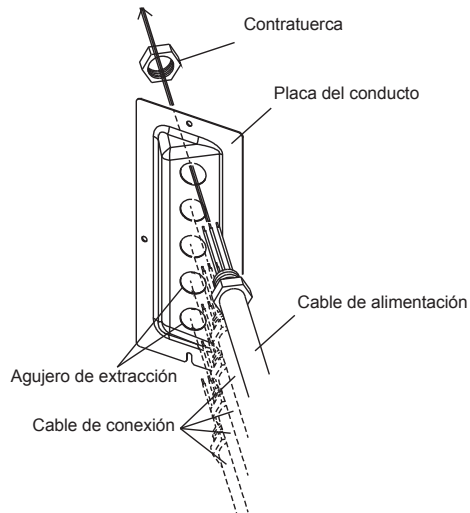
5. 5. Método de cableado

(1) Cómo quitar la cubierta de servicio

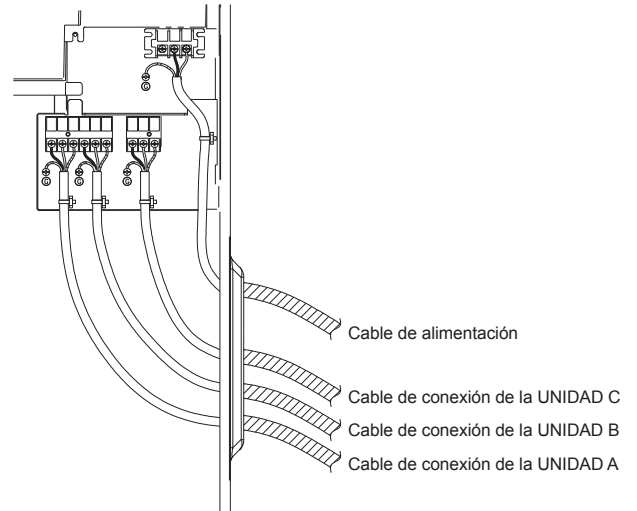
- Quite los dos tornillos de montaje.
- Quite la cubierta de servicio presionando hacia abajo.



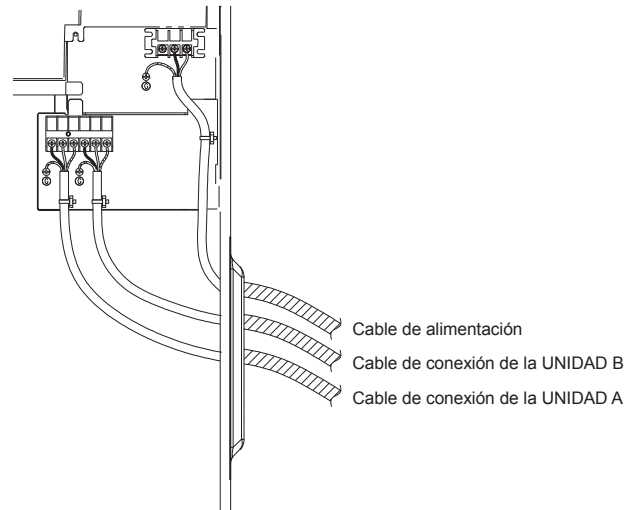
- (2) Sujete el cable de alimentación y el de conexión al sostén del conducto con la contratuerca.
(Abra los agujeros de extracción con la herramienta para no transformar la placa del conducto, si es necesario).
- (3) Conecte los cables de alimentación y de conexión al terminal.
- (4) Sujete los cables de alimentación y de conexión con la abrazadera para cables.



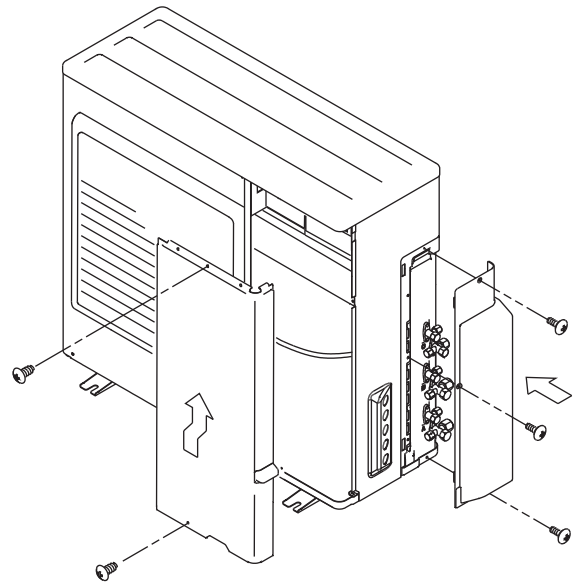
Tipo 24



Tipo 18



- (5) Asegúrese de sellar los agujeros cuando aplique la masilla.
Ubique los cables lado a lado. (No superponga los cables).
- (6) Coloque la cubierta de servicio y la cubierta de válvula una vez que haya completado el trabajo.



6. INSTALACIÓN DE LA TUBERÍA - 2

6. 1. proceso de vacío

⚠ ATENCIÓN

- Utilice siempre una bomba de vacío para purgar el aire.
- El refrigerante para purgar el aire no se carga en la unidad exterior en la fábrica.
- No se debe descargar el refrigerante en la atmósfera.
- Utilice una bomba de vacío, un manómetro y una manguera de carga para R410A exclusivamente. Utilizar el mismo vacío para diferentes refrigerantes puede dañar la bomba de vacío o la unidad.
- Después de conectar las tuberías, controle que no haya fugas en las juntas con un detector de fugas de gas o agua con jabón.

6. 1. 1. Control de fugas de gas y purga de aire

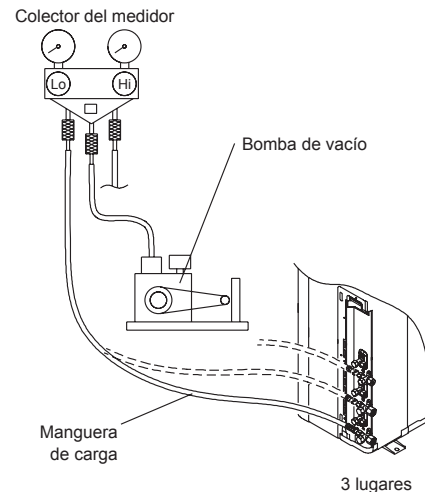
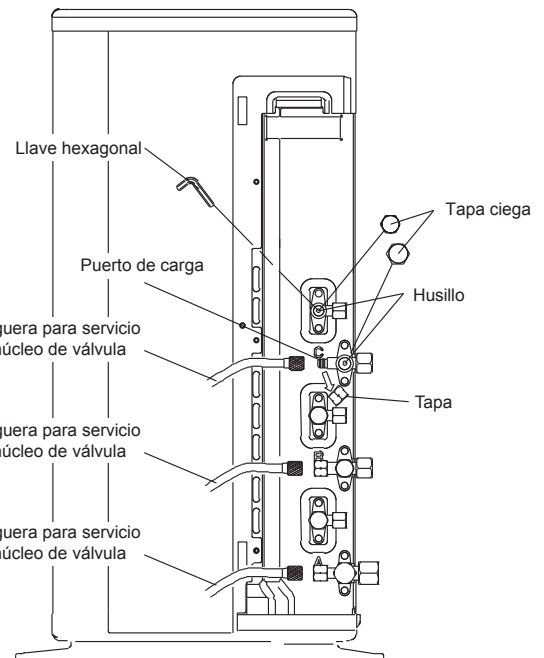
El control de fugas de gas se realiza en vacío o con gas nitrógeno, por lo que debe seleccionar el adecuado en función de la situación.

Control de fugas de gas en vacío:

- (1) Controle si las conexiones de las tuberías están aseguradas de manera adecuada.
- (2) Quite la tapa de la válvula de 3 vías y conecte las mangueras de carga del manómetro al puerto de carga de la válvula de 3 vías.
- (3) Abra completamente la válvula del manómetro.
- (4) Comience el bombeo con la bomba de vacío.
- (5) Controle que el manómetro de presión compuesta indique 500 micrones (-0,1 MPa), utilice la bomba de vacío durante 30 minutos o más en cada válvula.
- (6) Al final del bombeo, cierre completamente la válvula del manómetro y detenga la bomba de vacío.
(Controla que se la deje como está durante 10 minutos, y una aguja no regresa).
- (7) Desconecte la manguera de carga del puerto de carga de la válvula de 3 vías.
- (8) Quite las tapas ciegas y abra completamente los husillos de las válvulas de 2 vías y de 3 vías con una llave hexagonal.
[torsión: 4,4 a 5,2 lbf-ft (6 a 7 N·m)].
- (9) Ajuste las tapas ciegas y las tapa del puerto de carga de la válvula de 2 vías y de la válvula de 3 vías a la torsión especificada.

Control de fugas de gas con gas nitrógeno:

- (1) Controle si las conexiones de las tuberías están aseguradas de manera adecuada.
- (2) Quite la tapa de la válvula de 3 vías y conecte las mangueras de carga del manómetro al puerto de carga de la válvula de 3 vías.
- (3) Presurice con gas nitrógeno mediante el puerto de carga de la válvula de 3 vías.
- (4) No presurice a la presión especificada de una sola vez, sino que hágalo gradualmente.
 - ① Incremente la presión hasta 73 psi (0,5 MPa), espere 5 minutos y controle que no haya disminuido la presión.
 - ② Incremente la presión hasta 218 psi (1,5 MPa), espere 5 minutos y controle que no haya disminuido la presión.
 - ③ Incremente la presión hasta el valor especificado (la presión para la que se diseñó el producto) y anótelo.
- (5) Deje reposar en la presión especificada y si no hay disminución de la presión el resultado es satisfactorio. Si se confirma una disminución de presión, existe una fuga, por lo que es necesario encontrar la ubicación de la fuga y realizar ajustes menores.
- (6) Descargue el gas nitrógeno y comience a quitar el gas con una bomba de vacío.
- (7) Abra completamente la válvula del manómetro.
- (8) Comience el bombeo con la bomba de vacío.
- (9) Controle que el manómetro de presión compuesta indique 500 micrones (-0,1 MPa), utilice la bomba de vacío durante 30 minutos o más en cada válvula.
- (10) Al final del bombeo, cierre completamente la válvula del manómetro y detenga la bomba de vacío.
- (11) Desconecte la manguera de carga del puerto de carga de la válvula de 3 vías.
- (12) Quite las tapas ciegas y abra completamente los husillos de las válvulas de 2 vías y de 3 vías con una llave hexagonal.
[torsión: 4,4 a 5,2 lbf-ft (6 a 7 N·m)].
- (13) Ajuste las tapas ciegas y las tapa del puerto de carga de la válvula de 2 vías y de la válvula de 3 vías a la torsión especificada.



⚠ ATENCIÓN

No purgue el aire con refrigerantes, utilice una bomba de vacío para aspirar la instalación. No hay refrigerante adicional en la unidad exterior para purgar el aire.

Utilice una bomba de vacío, un manómetro y una manguera de carga para R410A exclusivamente. Utilizar el mismo vacío para diferentes refrigerantes puede dañar la bomba de vacío o la unidad.

Tuerca abocardada [pulg. (mm)]	Par de apriete [lbf-pies (N·m)]	
Tapa ciega	1/4 (6,35)	14,8 a 18,4 (20 a 25)
	3/8 (9,52)	14,8 a 18,4 (20 a 25)
	1/2 (12,70)	18,4 a 22,1 (25 a 30)
	5/8 (15,88)	22,1 a 25,8 (30 a 35)
	3/4 (19,05)	25,8 a 29,5 (35 a 40)
Tapa del puerto de carga	7,4 a 8,8 (10 a 12)	

6.2. Carga adicional

Refrigerante apto para una longitud de tubería total de 98 pies (30 m), se carga en la unidad exterior en la fábrica.

Cuando la tubería es más larga que 98 pies (30 m), se necesita carga adicional.

Para conocer la cantidad adicional, consulte la tabla siguiente.

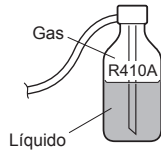
Longitud de tubería total	98 pies (30 m)	131 pies (40 m)	164 pies (50 m)	
Refrigerante adicional	Ninguno	7,1 onzas (200 g)	14,1 onzas (400 g)	0,21 onzas/pie (20 g/m)

⚠ ATENCIÓN

Cuando traslade e instale el acondicionador de aire, no mezcle otro gas que no sea el refrigerante especificado (R410A) dentro del ciclo de refrigerante.

Cuando cargue el refrigerante R410A, utilice siempre un equilibrador electrónico para carga de refrigerante (para medir el refrigerante por peso).

Al cargar el refrigerante, tenga en cuenta el ligero cambio en la composición de las fases gaseosa y líquida, y siempre cargue desde la fase líquida, donde la composición del refrigerante es estable.



Agregue el refrigerante desde la válvula de carga después de completar el trabajo.

Si las unidades se encuentran a una distancia mayor que la longitud máxima de tubería, no se puede garantizar un funcionamiento correcto.

7. ALIMENTACIÓN

⚠ ADVERTENCIA

La tensión nominal de este producto es 208/230 V C.A. 60 Hz.

Antes de encender, verifique que la tensión esté dentro del rango de 187 V a 253 V.

Utilice siempre un ramal de circuito especial e instale un receptáculo especial para suministrar alimentación al acondicionador de aire.

Utilice un disyuntor exclusivo y un receptáculo especiales adecuados para la capacidad del acondicionador de aire. (Instálelos de acuerdo a las normas).

Realice el cableado de acuerdo a las normas para que el acondicionador de aire pueda funcionar de manera segura y correcta.

Instale un disyuntor diferencial exclusivo de acuerdo con las leyes y los reglamentos relacionados, y las normas de la compañía de servicio eléctrico.

⚠ ATENCIÓN

La capacidad de la fuente de alimentación debe ser la suma de la corriente del acondicionador de aire y la corriente de los otros dispositivos eléctricos. Cuando la capacidad contratada sea insuficiente, cambie la capacidad contratada.

Cuando hay baja tensión y resulta difícil que el acondicionador de aire arranque, póngase en contacto con la compañía de servicio eléctrico para que aumente la tensión.

8. PRUEBA

El método de prueba puede ser diferente para cada unidad interior que se conecta. Consulte la hoja de instrucciones de instalación incluida con cada unidad interior.

⚠ ATENCIÓN

Siempre encienda la alimentación 12 horas antes de la puesta en marcha para asegurar la protección del compresor.

8.1. Realice una prueba de acuerdo con el Manual de instalación de la unidad interior

(1) Unidad interior

- ① ¿Es normal el funcionamiento de cada botón en la unidad de control remoto?
- ② ¿Se enciende cada luz normalmente?
- ③ ¿Funcionan normalmente las rejillas de flujo de aire?
- ④ ¿Es normal el drenaje?
- ⑤ ¿Existe algún tipo de ruido o vibración fuera de lo normal durante el funcionamiento?

(2) Unidad exterior

- ① ¿Existe algún tipo de ruido o vibración fuera de lo normal durante el funcionamiento?
- ② ¿Es posible que ruido, viento, o agua de drenaje de la unidad moleste a los vecinos?
- ③ ¿Hay alguna fuga de gas?
 - No utilice el acondicionador de aire en el estado de prueba durante mucho tiempo.
 - Para conocer el método de funcionamiento, consulte el manual de funcionamiento y realice un control de funcionamiento.

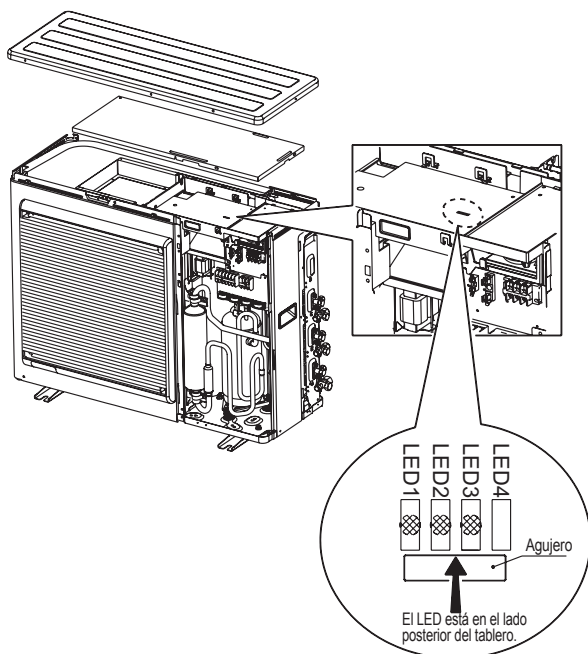
8.2. LED de la unidad exterior

En caso de mal funcionamiento de la unidad exterior, se enciende el LED en la placa de circuitos para indicar el error. Consulte la tabla siguiente para obtener la descripción de cada error según el comportamiento del LED.

Contenido de error	LED1	LED2	LED3
Error de Comunicación en Serie (Unidad exterior a Unidad interior A)	● 1 vez	–	–
Error de Comunicación en Serie (Unidad exterior a Unidad interior B)	–	● 1 vez	–
Error de Comunicación en Serie (Unidad exterior a Unidad interior C)*1	–	–	● 1 vez
Error del sensor de temp. de descarga	● 2 veces	–	–
Error del sensor de temp. media del intercambiador de calor de la unidad exterior	● 3 veces	–	–
Error del sensor de temp. exterior	● 4 veces	–	–
Error del sensor de temp. de la válvula de 2 vías (para la Unidad interior A)	● 5 veces	–	–
Error del sensor de temp. de la válvula de 2 vías (para la Unidad interior B)	–	● 5 veces	–
Error del sensor de temp. de la válvula de 2 vías (para la Unidad interior C)*1	–	–	● 5 veces
Error del sensor de temp. de la válvula de 3 vías (para la Unidad interior A)	● 6 veces	–	–
Error del sensor de temp. de la válvula de 3 vías (para la Unidad interior B)	–	● 6 veces	–
Error del sensor de temp. de la válvula de 3 vías (para la Unidad interior C)*1	–	–	● 6 veces
Error del sensor de temp. del compresor	● 7 veces	–	–
Error del sensor de temp. del disipador térmico	● 8 veces	–	–
Error del interruptor de alta presión 1	● 9 veces	–	–
Error del interruptor de alta presión 2	● 10 veces	–	–
Error de capacidad de la unidad interior	● 11 veces	–	–
Detección de interrupción	● 12 veces	–	–
Error de detección de posición del rotor del compresor	● 13 veces	–	–
Error del terminal de desconexión L	● 14 veces	–	–
Error del motor del ventilador de la unidad exterior	● 15 veces	–	–
Error de comunicación de la microcomputadora de la placa de circuito impreso de la unidad exterior	● 17 veces	–	–
Error de temperatura de descarga	● 18 veces	–	–
Error de temperatura del compresor	● 19 veces	–	–
Error de la válvula de 4 vías	● 20 veces	–	–
Error de información de modelo de PCB de la unidad exterior	● 21 veces	–	–
Error de filtro activo, error de circuito PFC	● 22 veces	–	–

● : destello – : Apagado

*1: sólo tipo 24



8.3. Confirmación del funcionamiento de la unidad interior

Haga funcionar la unidad de manera normal y confirme su funcionamiento. (Termine la marcha de prueba primero antes de la confirmación)

- (1) Se debe descargar aire frío (o aire caliente) de la unidad interior.
- (2) La unidad interior funciona normalmente cuando se pulsa el botón de ajuste de la dirección del aire o el volumen de aire.

9. BOMBEO DE EXTRACCIÓN

FUNCIONAMIENTO DEL BOMBEO DE EXTRACCIÓN

Para evitar la descarga de refrigerante a la atmósfera en el momento de la reubicación o eliminación, recupere el refrigerante realizando el funcionamiento de refrigeración o de refrigeración forzada de acuerdo con el siguiente procedimiento. (Cuando el funcionamiento de refrigeración no puede comenzar en invierno, y así sucesivamente, comience el funcionamiento de refrigeración forzada).

- (1) Realice la purga de aire de la manguera de carga al conectar la manguera de carga del manómetro al puerto de carga de la válvula de 3 vías (al menos una unidad de las unidades conectadas) y abrir levemente la válvula de baja presión.
- (2) Cierre completamente el vástago de la válvula de 2 vías (todas las unidades conectadas).
- (3) Inicie el funcionamiento de refrigeración o el funcionamiento de refrigeración forzada siguiente. (Todas las unidades conectadas) Al utilizar la unidad de control remoto, presione el botón de "prueba (TEST RUN)" después de iniciar el funcionamiento de refrigeración mediante la unidad de control remoto. La luz indicadora de funcionamiento y la luz indicadora del contador de tiempo comenzarán a destellar al mismo tiempo durante la prueba. Cuando se utiliza el botón "manual automático (MANUAL AUTO)" de la unidad interior (se pierde la unidad de control remoto, y así sucesivamente). Siga presionando el botón "manual automático (MANUAL AUTO)" de la unidad interior durante más de 10 segundos. (El funcionamiento de refrigeración forzada no puede iniciarse si no se mantiene presionado el botón "manual automático (MANUAL AUTO)" durante más de 10 segundos).
- (4) Cierre el vástago de la válvula de 3 vías (todas las unidades conectadas) cuando el manómetro de presión compuesta indique 7,3 ~ 0 psi (0,05 ~ 0 MPa).
- (5) Detenga el funcionamiento. (Todas las unidades conectadas) Presione el botón "iniciar/detener (START/STOP)" de la unidad de control remoto para detener el funcionamiento. Presione el botón "manual automático (MANUAL AUTO)" al detener el funcionamiento desde la unidad interior. (No es necesario presionar durante más de 10 segundos).

⚠ ATENCIÓN

Durante el funcionamiento de bombeo de extracción, asegúrese de que el compresor esté apagado antes de quitar las tuberías de refrigerante. No quite la tubería de conexión mientras el compresor está en funcionamiento con la válvula de 2 ó 3 vías abierta. Esto puede ocasionar una presión fuera de lo normal en el ciclo de refrigeración que lleve a la rotura del equipo y produzca lesiones en los usuarios.

10. GUÍA PARA EL CLIENTE

Explique lo siguiente al cliente de acuerdo con el manual de funcionamiento:

- (1) Método de inicio y detención, cambio de funcionamiento, ajuste de temperatura, contador de tiempo, ajuste del flujo de aire y otras operaciones de la unidad de control remoto.
- (2) Cómo quitar y limpiar el filtro de aire.
- (3) Brinde el manual de funcionamiento y la hoja de instrucciones de instalación al cliente.

