

Reflectix

Reflectix® Insulation is Your Shining Solution!

www.reflectixinc.com

ACOUSTICAL DUCT LINER

Reflectix, Inc.

P.O. Box 108
Markleville, IN 46056
(800) 879-3645
Fax: (765) 533-2327
www.reflectixinc.com

Features at a Glance:

Heating costs can
be greatly reduced

Eliminate unnecessary
heat loss, gain
and air leakage

Helps to ensure
consistent temperatures

No fiberglass
in air stream

Reflectix® Insulation consists of two outer layers of aluminum foil that reflect 97% of radiant heat. Each layer of foil is bonded to a tough layer of polyethylene for strength. Two inner layers of insulating bubbles resist conductive heat flow while a center layer of polyethylene gives Reflectix® high reliability and strength.

Uses:

Used to insulate rectangular and round heating, ventilating and air conditioning ductwork. Reflectix® provides acoustical and thermal efficiency that reduces unwanted noise and heat loss/gain from equipment and ductwork.

Benefits:

- Non-toxic/non-carcinogenic
- Fiber free
- Energy efficient
- Reduce heating/cooling cost
- Reflects 97% radiant heat
- Environmentally safe
- Vapor/radon retarder
- Lightweight and clean
- Not affected by moisture/humidity
- No nesting characteristics for

Technical Data:

Properties: Operating Limits:	Performance:	Test Methods:
Temperature	250°F (121°C)	ASTM C 411-97
Air Velocity	5000 fpm (25.4 m/s)	ASTM C 1071, UL 181
Surface Burning (Fire Hazard Class.)	Flame Spread 5 Smoke Developed 0	ASTM E 84 - Comp. to UL 723, NFPA 255 and UBC 42-1
Moisture Vapor Sorption	Pass	ASTM C 1104
Corrosion Resistance	Pass	ASTM D 3310
Air Erosion Rating	2,500 ft/min (63.5 m/s)	ASTM C 1071
Fungi Resistance	Pass; No growth	ASTM C 1338
Bacteria Resistance	No Growth	ASTM C 1338
Odor Emission	Pass	ASTM C 1304
K-Values*	.2891 Btu • in/(ft ² • h • °F)	ASTM C 518

Note: Not for use in direct contact on surface temperatures that are 180° F or greater.

Acoustical Performance:

Absorption Coefficients @ Octave Band Frequencies (Hz)								
Type	Thickness	125	250	500	1000	2000	4000	NRC
1	5/16"	0.05	0.03	0.04	0.13	0.51	0.21	0.20

Sound absorption – Tested in accordance with ASTM C 423 using Type A mounting, ASTM E 795.93

Sound Attenuation: Duct Size 8"x 12"*

Absorption Coefficients @ Octave Band Frequencies (Hz)								
Type	Thickness	125	250	500	1000	2000	4000	8000
1	5/16"	1	0	1	4	16	11	11

Sound attenuation – Tested in accordance with ASTM E 477. *Testing numbers should increase as duct size increases.

- Resists growth of fungi, mold and mildew
- No need for protective garments or respirators when installing
- Permanent and maintenance free

- QS 9000 & ISO 9001 certified manufacturing location

Testing and Certification:

All tests on Reflectix® Insulation are performed at either nationally approved independent laboratories or at leading universities. Tests are performed to current American Society of Testing and Materials (ASTM) Standards when a standard exists. For a copy of any of the actual test reports, call 1 (800) 879-3645.

Product Standards:

Resistance to fungi or bacteria: Reflectix® does not promote the growth of fungi or bacteria.

Specification compliance: Reflectix® is covered under the Federal Minimum Standards Code for reflective insulation (HH-I-1252B) for all H.U.D. and F.H.A. projects.

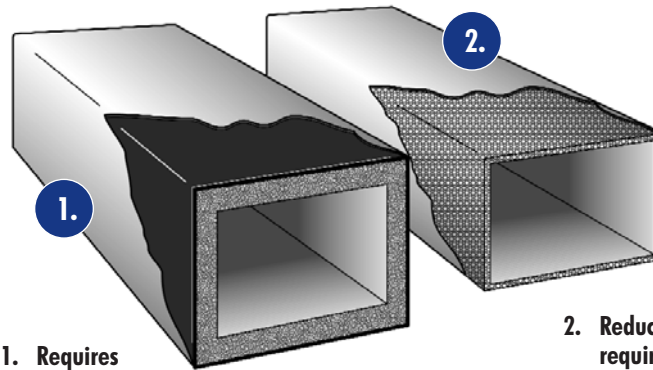
Reflectix® products have been evaluated by the following:

- Los Angeles County Evaluation Report No. RR8099
See Evaluation Reports listed above for allowable values and/or conditions of use concerning material presented in this document.

Available Testing/Certifications:

- Thermal Performance ASTM C518
- Hot Surface Performance ASTM C411
- Heat Transfer of Air-Handling Ducts with Reflectix®
- Flame Spread and Smoke Density ASTM E84
- Adhesive Bleeding ICBO Acceptance Criteria
- Fungus Resistance Mil-Std 810B Method 508
- Pliability Test
- Sound Absorption Test ASTM C423-90a and ASTM E795-83

- Sound Transmission Loss ASTM E90-90 and ASTM E413-87
- Water Vapor Transmission ASTM E96
- Tensile Strength
- Emittance Testing
- NVLAP Approved Lab Test: Flame Spread Classification/Smoke Density Developed (Taped Joint Detail)
Test Report # LA 62595-1
- NVLAP Approved Lab Test: Flame Spread Classification/Smoke Density Developed (Unslit) Test Report # LA62517-2
- NVLAP Approved Lab Test: Flammability of Interior Materials
Report # LA72357-2
- NVLAP Approved Lab Test: Fungus Resistance MIL-STD-810B Method 508 Report # LA 73598
- R&D Services Emittance Testing
- Warnock Hersey Professional Services, LTD: Physical Properties Sheet Width, Length, Pliability, Water Vapor Permanence and Aged Water Vapor Permanence Report # 1/92
- Warnock Hersey Professional Services, LTD: Water Vapor Transmission Test ASTM-E96 (Dessicant Method) Report # 1/91



1. Requires more steel. Larger O.D. to achieve specified I.D. (Fiberglass lined)

2. Reduces steel requirements. Smaller O.D. to achieve specified I.D. (Reflectix® lined)

