

## Split System Submittal Data

System: **42PEU1U6** Indoor: **S-42PU1U6** Outdoor: **U-42PE1U6**

Single Split System - Ceiling Recessed Heat Pumps

Job Name: \_\_\_\_\_  
 Location: \_\_\_\_\_  
 Engineer: \_\_\_\_\_  
 Submitted to: \_\_\_\_\_  
 Submitted by: \_\_\_\_\_  
 Reference: \_\_\_\_\_

Approval: \_\_\_\_\_  
 Date: \_\_\_\_\_  
 Construction: \_\_\_\_\_  
 Unit#: \_\_\_\_\_  
 Drawing#: \_\_\_\_\_



General Data	
<b>Power (V/P/Hz)</b>	<b>230/208/1/60</b>
Circuit Ampacity (A)	15-40 Indoor-Outdoor
Fuse Size, Max.(A)	15-40 Indoor-Outdoor
<b>Compressor</b>	<b>DC Rotary Inverter</b>
No. Used	1
R.L. Amps - L.R. (A)	18.1 - 31.0
Outdoor Unit	
Fan type	Propeller
Dia & Length (in.) - No. used	18-7/64-2
Type Drive - No. Speeds	DC Motor
No. Poles (RPM)	8 - 830
No. Motors (W)	2 - 90
CFM (High)	3531
F.L. Amps (A)	19.7
<b>Coil Type</b>	<b>Aluminum Fin &amp; Copper Pipe</b>
Fin Type - Pipe Type	Slit Plate - Inner Rifled
Rows - F.P.I.	2 - 12.7
Face Area (sq.ft.)	11.62
Tube Size (in)	3/8"
Indoor Unit	
Fan type	Turbo
Dia & Length (in.) - No. used	17-7/16-1
No. Speeds	3 & Auto
No. Poles (RPM, High)	6 - 506
No. Motors (W)	1 - 60
CFM (Hi/Med/Lo)	1050/840/720
Indoor Sound Rating (Hi) (dB-A)	45
F.L. Amps (A)	1.0
<b>Coil Type</b>	<b>Aluminum Plate Fin &amp; Copper Tube</b>
Fin Type - Pipe Type	Slit Plate - Inner Rifled
Rows - F.P.I.	2 - 14.9
Face Area (sq.ft.)	8.2
Tube Size (in)	9/32"
Drain Connection Size (in.)	1-17/64"

<b>Refrigerant</b>	<b>R410A</b>
Lbs. - R410a	7.94
Control	Electric Expansion Valve
Connection	Flare
Line Length, Max (ft.)	165
Line Difference, Max (ft.)	50 (outdoor lower), 100 (outdoor higher)
Line Size (in. O.D. Discharge)	3/8"
Line Size (in. O.D. Suction)	5/8"
<b>Dimensions (HxWxD)</b>	
Indoor Unit (Crated) (in.)	12-13/32 x 44-19/64 x 33-9/32
Indoor Unit (Uncrated) (in.)	14-31/64 x 45-9/32 x 33-55/64
Outdoor Unit (Crated) (in.)	52-3/8 x 39-31/32 x 16-3/32
Outdoor Unit (Uncrated) (in.)	48-7/16 x 37 x 13-3/8
<b>Weight (lbs.)</b>	
(Indoor) Net	60
(Indoor) Shipping	71
(Outdoor) Net	220
(Outdoor) Shipping	240
(Indoor) Shipping Volume (cu.ft.)	10.6
(Outdoor) Shipping Volume (cu.ft.)	19.5

**Performance Data @ ARI Standard Conditions (230/208V)**

<b>Cooling</b>	
Total Capacity (BTU/H)	39,500 (9,500 - 39,500)
Sensible Capacity (BTU/H)	23,530
Latent Capacity (BTU/H)	15,970
SEER	14.6
Dehumidification (Pints/H)	12.6
Amps (A)	23.0/25.4
Power Inputs (W)	4,520/4,520
Outdoor Sound Rating (dB-A) High	53
<b>Heating</b>	
Total Capacity (BTU/H)	48,000 (8,000 - 48,000)
HSPF	10.4
Amps (A)	22.4/24.8
Max Amps (A)	22.4/24.8
Power Inputs (W)	4,360/4,360
Back-up Strip Heater (KW)	N/A
Outdoor Sound Rating (dB-A) High	53

**Features**

Controls	Microprocessor
Remote Controller	(Wired Remote Included) (Wireless Remote Optional)
Temperature Control	IC Thermostat
Timer	72 Hr. On/Off
Night Setback	N/A
Air Louver, Horizontal	N/A
Air Louver, Vertical	Automatic
Power Failure Automatic Changeover	Built-In
Heating/Cooling Automatic Changeover	Built-In
Self-Diagnosis	Built-In
Air Filter	Washable, Anti-Mold

**Option**

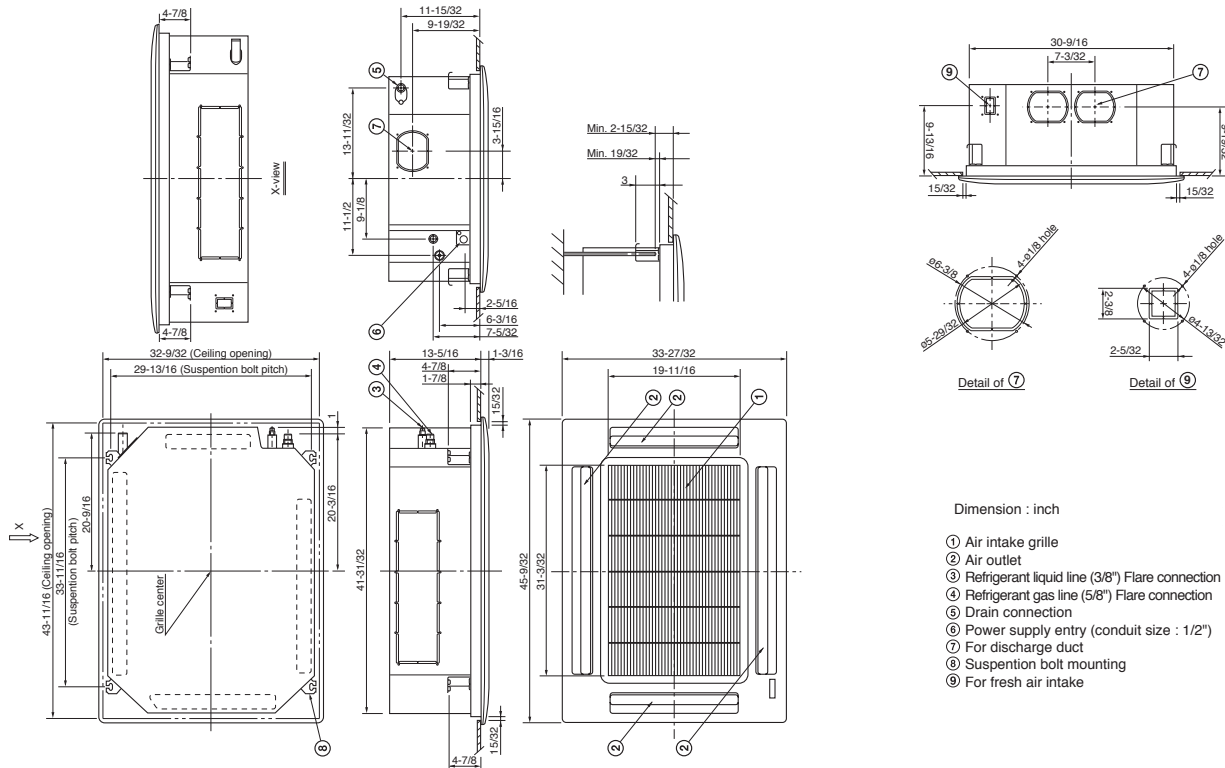
Refrigerant Line Set	Available
Fresh Air Intake	Available
Air duct Extension	Knock-out
Indoor Frame Extension	N/A
Condensate Drain Pump	Built in (Limited Vertical Lift)
Wireless Remote Controller	Optional
Non-Removeable Locking Remo-con Bracket	Available

**Operating Range**

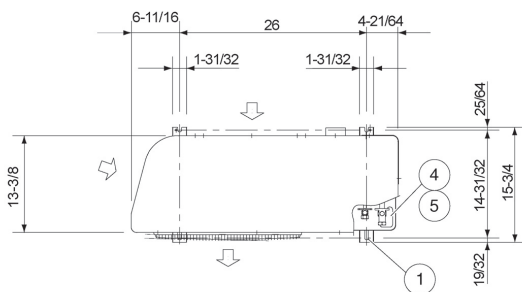
<b>Operating Range</b>	<b>Indoor Air Intake Temp</b>	<b>Outdoor Air Intake Temp</b>
Cooling (Max)	95F DB/71F WB	115F DB
Cooling (Min)	67 DB/57F WB	0F DB
Heating (Max)	80F DB/67F WB	75F DB/65F WB
Heating (Min)	-DB/-WB	5F DB



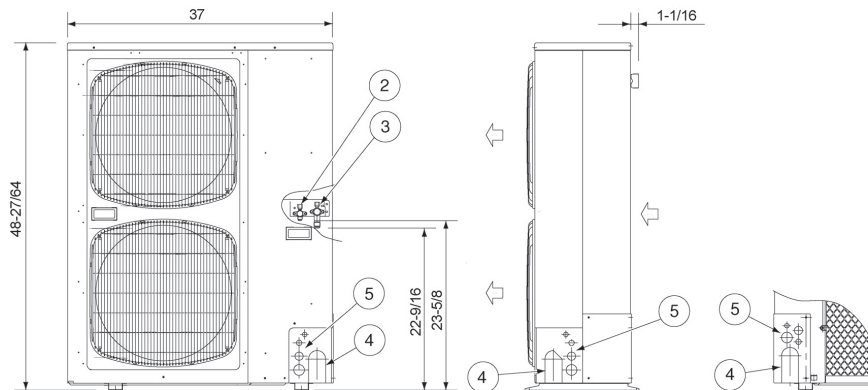
# Indoor Dimensions



# Outdoor Dimensions



①	Hole for anchor bolt (4-R6.5) / Anchor bolt: M10
②	Refrigerant tube joint (liquid line tube) • Flare connection 3/8 in (9.52 mm)
③	Refrigerant tube joint (gas line tube) • Flare connection 5/8 in (15.88 mm)
④	Refrigerant tubing inlet (knock-out hole)
⑤	Power supply inlet (knock-out hole φ38, φ29, φ19, φ16 mm)



**Panasonic**

Panasonic North America  
Air Conditioning Division  
1690 Roberts Blvd., NW, Suite 110  
Kennesaw, GA 30144  
[us.panasonic.com/aircon](http://us.panasonic.com/aircon)