

SUBMITTAL



See Attached Page for Units

Part Number:

OA2-SDLGB-CD

FORM NO. 7946-1D

4/30/2015

Submitted To:
Company:
Job Name:
Notes:

Motorized Air Hoods

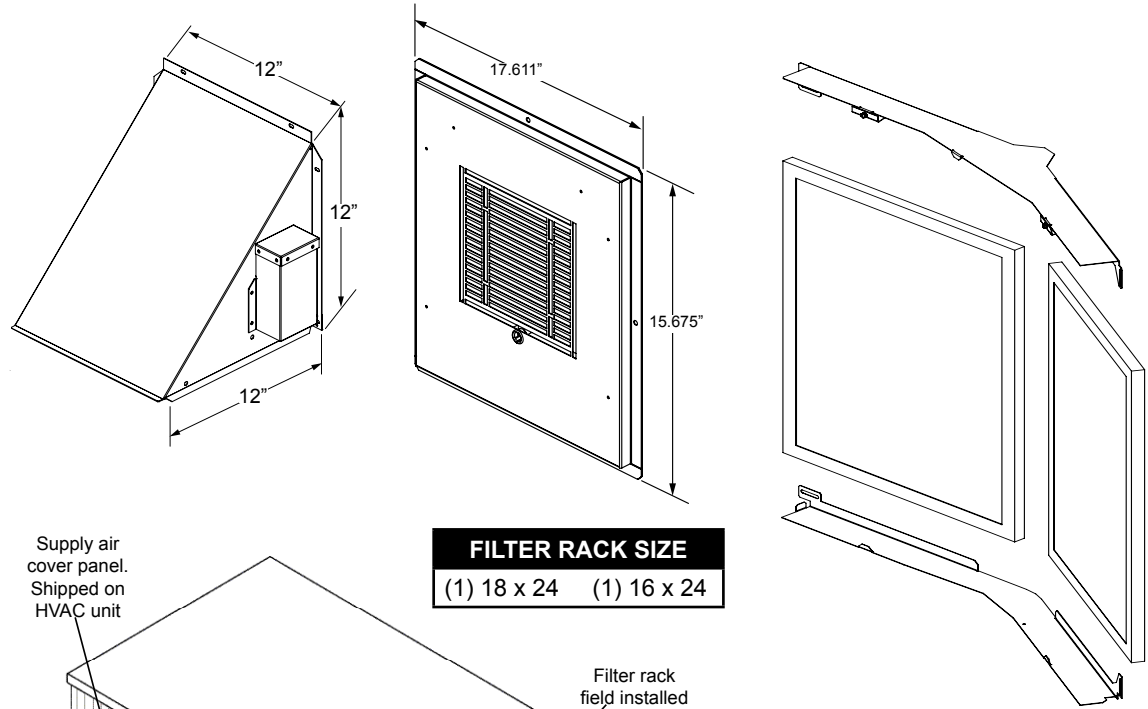
With Filter Rack

NOTES

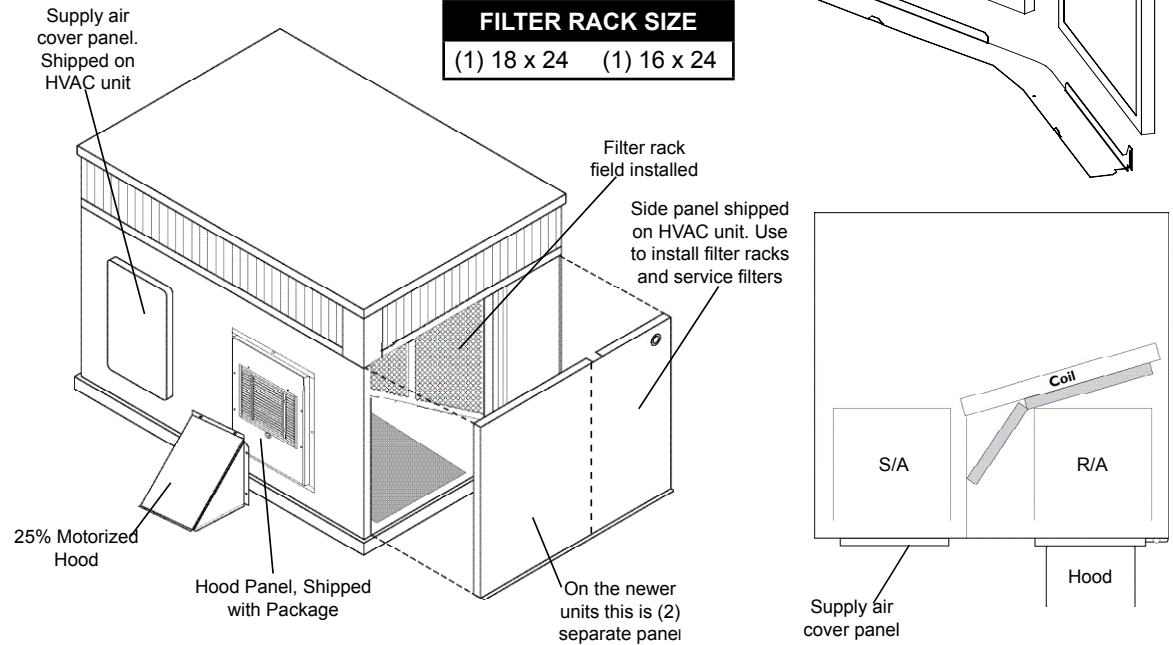
- CFM is Dependent Upon Duct Static Pressure, Air Velocity, Duct Size and Damper Position.
- When Used In A Horizontal Application, Hood Must Be Secured Over A Field Cut Opening In The Side of A Field Supplied Return Air Duct.
- Please Add The Suffix "FL" To Part Number For Water Entrainment Filters, Call Factory For Details & Cost.
- For Best Results, Wire Motor To 24 Volt AC Indoor Fan.

FEATURES

- Hood Is Completely Factory Assembled And Painted.
- Includes Sealing Gasket and Installation Hardware
- Outside Isolation Provided By Means of Screen Or Mesh
- Filter Rack Included, Designed For Easy Installation.
- Two Positions Only – Open or Closed.
- Can Be Used In Vertical, or Horizontal Applications.



FILTER RACK SIZE
(1) 18 x 24 (1) 16 x 24



HDMF-1D

THIS DOCUMENT IS THE PROPERTY OF MICROMETL CORPORATION AND IS DELIVERED UPON THE EXPRESS CONDITION THAT THE CONTENTS WILL NOT BE DISCLOSED OR USED WITHOUT MIROMETL'S WRITTEN CONSENT

Units For Accessory			
48CE 060	48VL A60 - 46.06 X 42.188 Inches O.D - Dedicated Curb	48XT 060	50VL A60 - 46.06 X 42.188 Inches O.D - Dedicated Curb
48CEN 060	48VL B60 - 46.06 X 30.625 Inches O.D - Common Curb	48XT A48 - 46.06 X 30.625 Inches O.D - Common Curb	50VL B60 - 46.06 X 30.625 Inches O.D - Common Curb
48DT 048	48VL B60 - 46.06 X 42.188 Inches O.D - Dedicated Curb	48XT A48 - 46.06 X 42.188 Inches O.D - Dedicated Curb	50VL B60 - 46.06 X 42.188 Inches O.D - Dedicated Curb
48DT 060	48VR A36 - 46.06 X 30.625 Inches O.D - Common Curb	48XT A60 - 46.06 X 30.625 Inches O.D - Common Curb	50VR A36 - 46.06 X 30.625 Inches O.D - Common Curb
48DU 048	48VR A42 - 46.06 X 30.625 Inches O.D - Common Curb	48XT A60 - 46.06 X 42.188 Inches O.D - Dedicated Curb	50VR A42 - 46.06 X 30.625 Inches O.D - Common Curb
48DU 060	48VR B36 - 46.06 X 30.625 Inches O.D - Common Curb	48XTN 048	50VR-A48 - 46.06 X 30.625 Inches O.D - Common Curb
48ES 060	48VR B42 - 46.06 X 30.625 Inches O.D - Common Curb	48XTN 060	50VR-A60 - 46.06 X 30.625 Inches O.D - Common Curb
48ES A60 - 46.06 X 30.625 Inches O.D - Common Curb	48VR-A48 - 46.06 X 30.625 Inches O.D - Common Curb	48XZ 060	50VT 048
48ES A60 - 46.06 X 42.188 Inches O.D - Dedicated Curb	48VR-A60 - 46.06 X 30.625 Inches O.D - Common Curb	48XZN 060	50VT 060
48ESN 060	48VR-B48 - 46.06 X 30.625 Inches O.D - Common Curb	50CE 060	50VT A48 - 46.06 X 30.625 Inches O.D - Common Curb
48EZ 060	48VR-B60 - 46.06 X 30.625 Inches O.D - Common Curb	50CR 060	50VT A48 - 46.06 X 42.188 Inches O.D - Dedicated Curb
48EZ A60 - 46.06 X 30.625 Inches O.D - Common Curb	48VT 048	50DT 048	50VT A60 - 46.06 X 30.625 Inches O.D - Common Curb
48EZ A60 - 46.06 X 42.188 Inches O.D - Dedicated Curb	48VT 060	50DT 060	50VT A60 - 46.06 X 42.188 Inches O.D - Dedicated Curb
48EZN 060	48VT A48 - 46.06 X 30.625 Inches O.D - Common Curb	50DU 048	50VT B48 - 46.06 X 30.625 Inches O.D - Common Curb
48GPN 042	48VT A48 - 46.06 X 42.188 Inches O.D - Dedicated Curb	50DU 060	50VT B48 - 46.06 X 42.188 Inches O.D - Dedicated Curb
48GPN 048	48VT A60 - 46.06 X 30.625 Inches O.D - Common Curb	50ES 060	50VT B60 - 46.06 X 30.625 Inches O.D - Common Curb
48GPN 060	48VT A60 - 46.06 X 42.188 Inches O.D - Dedicated Curb	50ES A60 - 46.06 X 30.625 Inches O.D - Common Curb	50VT B60 - 46.06 X 42.188 Inches O.D - Dedicated Curb
48JZ 060	48VT B48 - 46.06 X 30.625 Inches O.D - Common Curb	50ES A60 - 46.06 X 42.188 Inches O.D - Dedicated Curb	50XL 048
48SD 060	48VT B48 - 46.06 X 42.188 Inches O.D - Dedicated Curb	50EZ 060	50XL 060
48SDN 060	48VT B60 - 46.06 X 30.625 Inches O.D - Common Curb	50EZ A60 - 46.06 X 30.625 Inches O.D - Common Curb	50XL A48 - 46.06 X 30.625 Inches O.D - Common Curb
48SZ 060	48VT B60 - 46.06 X 42.188 Inches O.D - Dedicated Curb	50EZ A60 - 46.06 X 42.188 Inches O.D - Dedicated Curb	50XL A48 - 46.06 X 42.188 Inches O.D - Dedicated Curb
48VG A36 - 46.06 X 30.625 Inches O.D - Common Curb	48XL 048	50JX 060	50XL A60 - 46.06 X 30.625 Inches O.D - Common Curb
48VG A42 - 46.06 X 30.625 Inches O.D - Common Curb	48XL 060	50JZ 060	50XL A60 - 46.06 X 42.188 Inches O.D - Dedicated Curb
48VG B36 - 46.06 X 30.625 Inches O.D - Common Curb	48XL A48 - 46.06 X 30.625 Inches O.D - Common Curb	50SD 060	50XP 060
48VG B42 - 46.06 X 30.625 Inches O.D - Common Curb	48XL A48 - 46.06 X 42.188 Inches O.D - Dedicated Curb	50SZ 060	50XT 048
48VG-A48 - 46.06 X 30.625 Inches O.D - Common Curb	48XL A60 - 46.06 X 30.625 Inches O.D - Common Curb	50VG A36 - 46.06 X 30.625 Inches O.D - Common Curb	50XT 060

48VG-A60 - 46.06 X 30.625 Inches O.D - Common Curb	48XL A60 - 46.06 X 42.188 Inches O.D - Dedicated Curb	50VG A42 - 46.06 X 30.625 Inches O.D - Common Curb	50XT A48 - 46.06 X 30.625 Inches O.D - Common Curb
48VG-B48 - 46.06 X 30.625 Inches O.D - Common Curb	48XLN 048	50VG-A48 - 46.06 X 30.625 Inches O.D - Common Curb	50XT A48 - 46.06 X 42.188 Inches O.D - Dedicated Curb
48VG-B60 - 46.06 X 30.625 Inches O.D - Common Curb	48XLN 060	50VG-A60 - 46.06 X 30.625 Inches O.D - Common Curb	50XT A60 - 46.06 X 30.625 Inches O.D - Common Curb
48VL 048	48XP 060	50VL 048	50XT A60 - 46.06 X 42.188 Inches O.D - Dedicated Curb
48VL 060	48XPN 060	50VL 060	50XZ 060
48VL A60 - 46.06 X 30.625 Inches O.D - Common Curb	48XT 048	50VL A60 - 46.06 X 30.625 Inches O.D - Common Curb	

Units For Accessory			
574A 048	604A 060	607E A60 - 46.06 X 30.625 Inches O.D - Common Curb	677E B36 - 46.06 X 30.625 Inches O.D - Common Curb
574A 060	604A A60 - 46.06 X 30.625 Inches O.D - Common Curb	674A 048	677E B42 - 46.06 X 30.625 Inches O.D - Common Curb
574B 060	604A A60 - 46.06 X 42.188 Inches O.D - Dedicated Curb	674A 060	677E B48 - 46.06 X 30.625 Inches O.D - Common Curb
574D 060	604B 048	674B 060	677E B60 - 46.06 X 30.625 Inches O.D - Common Curb
574D A60 - 46.06 X 30.625 Inches O.D - Common Curb	604B 060	674D 048	683B 060
574D A60 - 46.06 X 42.188 Inches O.D - Dedicated Curb	604D 048	674D 060	704A 042
577B 048	604D 060	674D A60 - 46.06 X 30.625 Inches O.D - Common Curb	704A 048
577B 060	604D A60 - 46.06 X 30.625 Inches O.D - Common Curb	674D A60 - 46.06 X 42.188 Inches O.D - Dedicated Curb	704A 054
577C 042	604D A60 - 46.06 X 42.188 Inches O.D - Dedicated Curb	677B 048	704A 060
577C 048	607B 048	677B 060	704B 054
577C 060	607B 060	677C 036	704B 060
577C A60 - 46.06 X 30.625 Inches O.D - Common Curb	607C 036	677C 042	704D 060
577C A60 - 46.06 X 42.188 Inches O.D - Dedicated Curb	607C 042	677C 048	704D A60 - 46.06 X 30.625 Inches O.D - Common Curb
577C B60 - 46.06 X 30.625 Inches O.D - Common Curb	607C 048	677C 060	704D A60 - 46.06 X 42.188 Inches O.D - Dedicated Curb
577C B60 - 46.06 X 42.188 Inches O.D - Dedicated Curb	607C 060	677C A48 - 46.06 X 30.625 Inches O.D - Common Curb	707C 042
577D 048	607C A48 - 46.06 X 30.625 Inches O.D - Common Curb	677C A48 - 46.06 X 42.188 Inches O.D - Dedicated Curb	707C 048
577D 060	607C A48 - 46.06 X 42.188 Inches O.D - Dedicated Curb	677C A60 - 46.06 X 30.625 Inches O.D - Common Curb	707C 060
577D A48 - 46.06 X 30.625 Inches O.D - Common Curb	607C A60 - 46.06 X 30.625 Inches O.D - Common Curb	677C A60 - 46.06 X 42.188 Inches O.D - Dedicated Curb	707C A60 - 46.06 X 30.625 Inches O.D - Common Curb
577D A48 - 46.06 X 42.188 Inches O.D - Dedicated Curb	607C A60 - 46.06 X 42.188 Inches O.D - Dedicated Curb	677C B48 - 46.06 X 30.625 Inches O.D - Common Curb	707C A60 - 46.06 X 42.188 Inches O.D - Dedicated Curb
577D A60 - 46.06 X 30.625 Inches O.D - Common Curb	607C B48 - 46.06 X 30.625 Inches O.D - Common Curb	677C B48 - 46.06 X 42.188 Inches O.D - Dedicated Curb	707C B60 - 46.06 X 30.625 Inches O.D - Common Curb
577D A60 - 46.06 X 42.188 Inches O.D - Dedicated Curb	607C B48 - 46.06 X 42.188 Inches O.D - Dedicated Curb	677C B60 - 46.06 X 30.625 Inches O.D - Common Curb	707C B60 - 46.06 X 42.188 Inches O.D - Dedicated Curb
577E A36 - 46.06 X 30.625 Inches O.D - Common Curb	607C B60 - 46.06 X 30.625 Inches O.D - Common Curb	677C B60 - 46.06 X 42.188 Inches O.D - Dedicated Curb	707D 048
577E A42 - 46.06 X 30.625 Inches O.D - Common Curb	607C B60 - 46.06 X 42.188 Inches O.D - Dedicated Curb	677D 048	707D 060
577E A48 - 46.06 X 30.625 Inches O.D - Common Curb	607D 048	677D 060	707D A48 - 46.06 X 30.625 Inches O.D - Common Curb
577E A60 - 46.06 X 30.625 Inches O.D - Common Curb	607D 060	677D A48 - 46.06 X 30.625 Inches O.D - Common Curb	707D A48 - 46.06 X 42.188 Inches O.D - Dedicated Curb
577E B36 - 46.06 X 30.625 Inches O.D - Common Curb	607D A48 - 46.06 X 30.625 Inches O.D - Common Curb	677D A48 - 46.06 X 42.188 Inches O.D - Dedicated Curb	707D A60 - 46.06 X 30.625 Inches O.D - Common Curb
577E B42 - 46.06 X 30.625 Inches O.D - Common Curb	607D A48 - 46.06 X 42.188 Inches O.D - Dedicated Curb	677D A60 - 46.06 X 30.625 Inches O.D - Common Curb	707D A60 - 46.06 X 42.188 Inches O.D - Dedicated Curb

577E B48 - 46.06 X 30.625 Inches O.D - Common Curb	607D A60 - 46.06 X 30.625 Inches O.D - Common Curb	677D A60 - 46.06 X 42.188 Inches O.D - Dedicated Curb	707E A36 - 46.06 X 30.625 Inches O.D - Common Curb
577E B60 - 46.06 X 30.625 Inches O.D - Common Curb	607D A60 - 46.06 X 42.188 Inches O.D - Dedicated Curb	677E A36 - 46.06 X 30.625 Inches O.D - Common Curb	707E A42 - 46.06 X 30.625 Inches O.D - Common Curb
602B 060	607E A36 - 46.06 X 30.625 Inches O.D - Common Curb	677E A42 - 46.06 X 30.625 Inches O.D - Common Curb	707E A48 - 46.06 X 30.625 Inches O.D - Common Curb
604A 048	607E A42 - 46.06 X 30.625 Inches O.D - Common Curb	677E A48 - 46.06 X 30.625 Inches O.D - Common Curb	707E A60 - 46.06 X 30.625 Inches O.D - Common Curb
604A 054	607E A48 - 46.06 X 30.625 Inches O.D - Common Curb	677E A60 - 46.06 X 30.625 Inches O.D - Common Curb	

Units For Accessory			
PAD3 A60 - W/Base Rails, 46.06 X 30.625 Inches O.D - Common Curb	PDD3 A60 - W/Base Rails, 46.06 X 42.188 Inches O.D - Dedicated Curb	PGN4 48	PHN4 48
PAD3 A60 - W/Base Rails, 46.06 X 42.188 Inches O.D - Dedicated Curb	PDD5 A60 - W/Base Rails, 46.06 X 42.188 Inches O.D - Dedicated Curb	PGN4 60	PHN4 60
PAD4 A60 - W/Base Rails, 46.06 X 30.625 Inches O.D - Common Curb	PDS3 A60 - W/Base Rails, 46.06 X 30.625 Inches O.D - Common Curb	PGS3 A60 - W/Base Rails, 46.06 X 30.625 Inches O.D - Common Curb	PHS3 A60 - 46.06 X 30.625 Inches O.D - Common Curb
PAD4 A60 - W/Base Rails, 46.06 X 42.188 Inches O.D - Dedicated Curb	PDS3 A60 - W/Base Rails, 46.06 X 42.188 Inches O.D - Dedicated Curb	PGS3 A60 - W/Base Rails, 46.06 X 42.188 Inches O.D - Dedicated Curb	PHS3 A60 - 46.06 X 42.188 Inches O.D - Dedicated Curb
PAD5 A60 - W/Base Rails, 46.06 X 30.625 Inches O.D - Common Curb	PDS4 A60 - W/Base Rails, 46.06 X 30.625 Inches O.D - Common Curb	PGS4 A60 - W/Base Rails, 46.06 X 30.625 Inches O.D - Common Curb	PHS4 A60 - 46.06 X 30.625 Inches O.D - Common Curb
PAD5 A60 - W/Base Rails, 46.06 X 42.188 Inches O.D - Dedicated Curb	PDS4 A60 - W/Base Rails, 46.06 X 42.188 Inches O.D - Dedicated Curb	PGS4 A60 - W/Base Rails, 46.06 X 42.188 Inches O.D - Dedicated Curb	PHS4 A60 - 46.06 X 42.188 Inches O.D - Dedicated Curb
PAN4 48	PDS5 A60 - W/Base Rails, 46.06 X 30.625 Inches O.D - Common Curb	PGS5 A60 - W/Base Rails, 46.06 X 30.625 Inches O.D - Common Curb	PHS5 A60 - 46.06 X 30.625 Inches O.D - Common Curb
PAN4 60	PDS5 A60 - W/Base Rails, 46.06 X 42.188 Inches O.D - Dedicated Curb	PGS5 A60 - W/Base Rails, 46.06 X 42.188 Inches O.D - Dedicated Curb	PHS5 A60 - 46.06 X 42.188 Inches O.D - Dedicated Curb
PAS3 A60 - 46.06 X 30.625 Inches O.D - Common Curb	PGD3 A60 - W/Base Rails, 46.06 X 30.625 Inches O.D - Common Curb	PHD3 A60 - W/Base Rails, 46.06 X 30.625 Inches O.D - Common Curb	WPG3 A60 - W/Base Rails, 46.06 X 30.625 Inches O.D - Common Curb
PAS3 A60 - 46.06 X 42.188 Inches O.D - Dedicated Curb	PGD3 A60 - W/Base Rails, 46.06 X 42.188 Inches O.D - Dedicated Curb	PHD3 A60 - W/Base Rails, 46.06 X 42.188 Inches O.D - Dedicated Curb	WPG3 A60 - W/Base Rails, 46.06 X 42.188 Inches O.D - Dedicated Curb
PAS4 A60 - 46.06 X 30.625 Inches O.D - Common Curb	PGD4 A60 - W/Base Rails, 46.06 X 30.625 Inches O.D - Common Curb	PHD4 A60 - W/Base Rails, 46.06 X 30.625 Inches O.D - Common Curb	
PAS4 A60 - 46.06 X 42.188 Inches O.D - Dedicated Curb	PGD4 A60 - W/Base Rails, 46.06 X 42.188 Inches O.D - Dedicated Curb	PHD4 A60 - W/Base Rails, 46.06 X 42.188 Inches O.D - Dedicated Curb	
PAS5 A60 - 46.06 X 30.625 Inches O.D - Common Curb	PGD5 A60 - W/Base Rails, 46.06 X 30.625 Inches O.D - Common Curb	PHD5 A60 - W/Base Rails, 46.06 X 30.625 Inches O.D - Common Curb	
PAS5 A60 - 46.06 X 42.188 Inches O.D - Dedicated Curb	PGD5 A60 - W/Base Rails, 46.06 X 42.188 Inches O.D - Dedicated Curb	PHD5 A60 - W/Base Rails, 46.06 X 42.188 Inches O.D - Dedicated Curb	